



US00D647738S

(12) **United States Design Patent**
Chen

(10) **Patent No.:** **US D647,738 S**

(45) **Date of Patent:** **** Nov. 1, 2011**

(54) **CHAIR**

(76) Inventor: **Su-Ming Chen**, Kaohsiung (TW)

(**) Term: **14 Years**

(21) Appl. No.: **29/368,685**

(22) Filed: **Aug. 27, 2010**

(51) **LOC (9) Cl.** **06-01**

(52) **U.S. Cl.** **D6/500; D6/366**

(58) **Field of Classification Search** D6/334-336,
D6/364, 365, 366, 367, 369, 373, 374, 376,
D6/379, 380, 500-502; 297/239, 445.1,
297/446.1, 440.1, 452.13, 452.21, 452.29,
297/452.46, 452.64

See application file for complete search history.

(56) **References Cited**

U.S. PATENT DOCUMENTS

D449,172	S	*	10/2001	Van De Riet et al.	D6/366
D449,938	S	*	11/2001	Vanderiet et al.	D6/380
D456,160	S	*	4/2002	Van De Riet et al.	D6/366
D456,164	S	*	4/2002	Vanderiet et al.	D6/374
6,644,749	B2	*	11/2003	VanDeRiet et al.	297/440.1

D512,238	S	*	12/2005	Chen	D6/380
D513,670	S	*	1/2006	Yamagata	D6/380
D541,067	S	*	4/2007	Lin	D6/373
D555,924	S	*	11/2007	Igarashi	D6/366
2002/0109380	A1	*	8/2002	VanDeRiet et al.	297/239

* cited by examiner

Primary Examiner — Mimosa De

(74) *Attorney, Agent, or Firm* — Leong C. Lei

(57) **CLAIM**

The ornamental design for a chair, as shown and described.

DESCRIPTION

FIG. 1 is a perspective view of a chair showing my new design;

FIG. 2 is a front elevational view thereof;

FIG. 3 is a rear elevational view thereof;

FIG. 4 is a left side elevational view thereof;

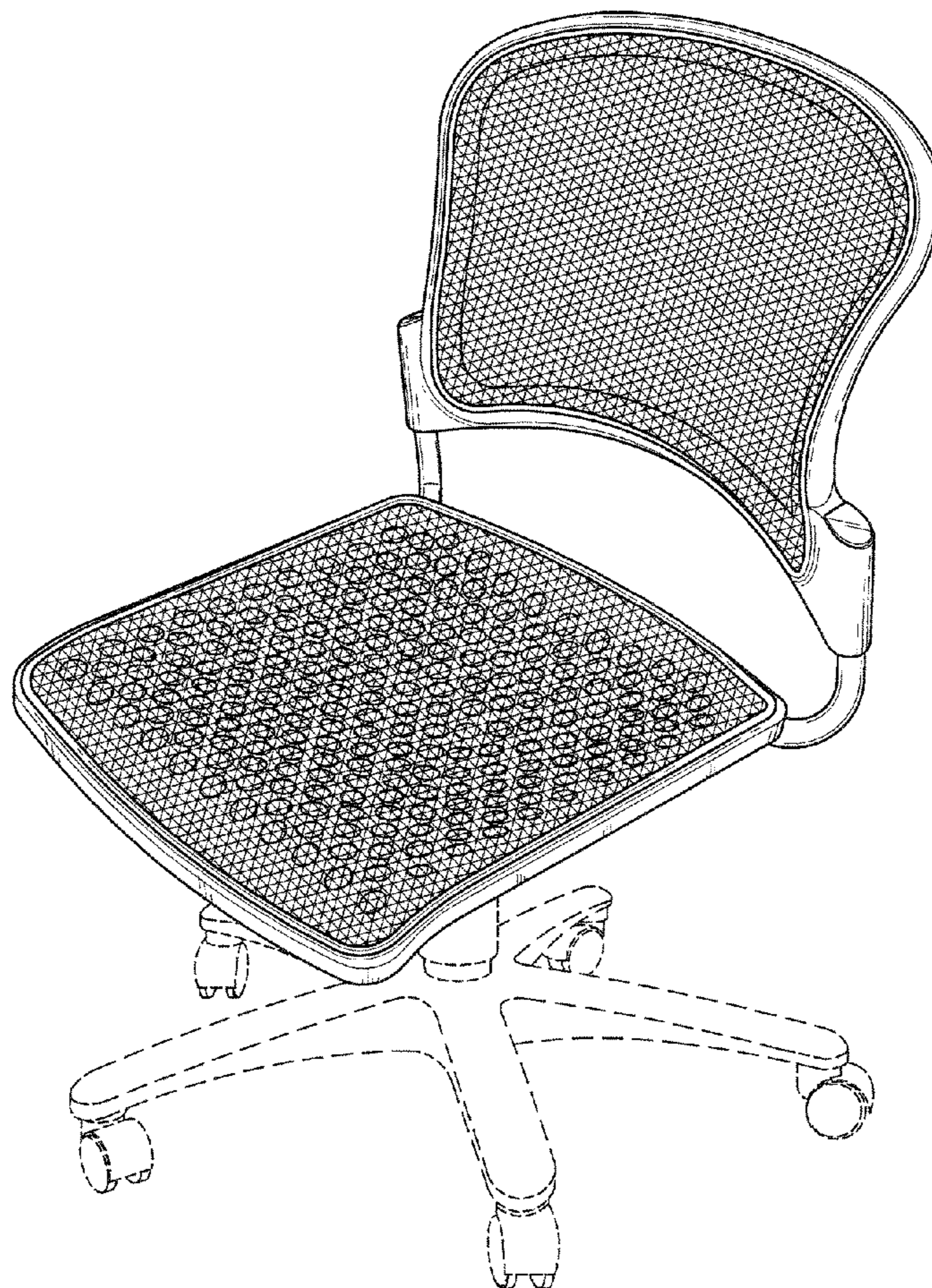
FIG. 5 is a right side elevational view thereof;

FIG. 6 is a top plan view thereof; and,

FIG. 7 is a bottom plan view thereof.

The dotted line showing of the chair is for illustrative purposes only and forms no part of the claimed design.

1 Claim, 4 Drawing Sheets



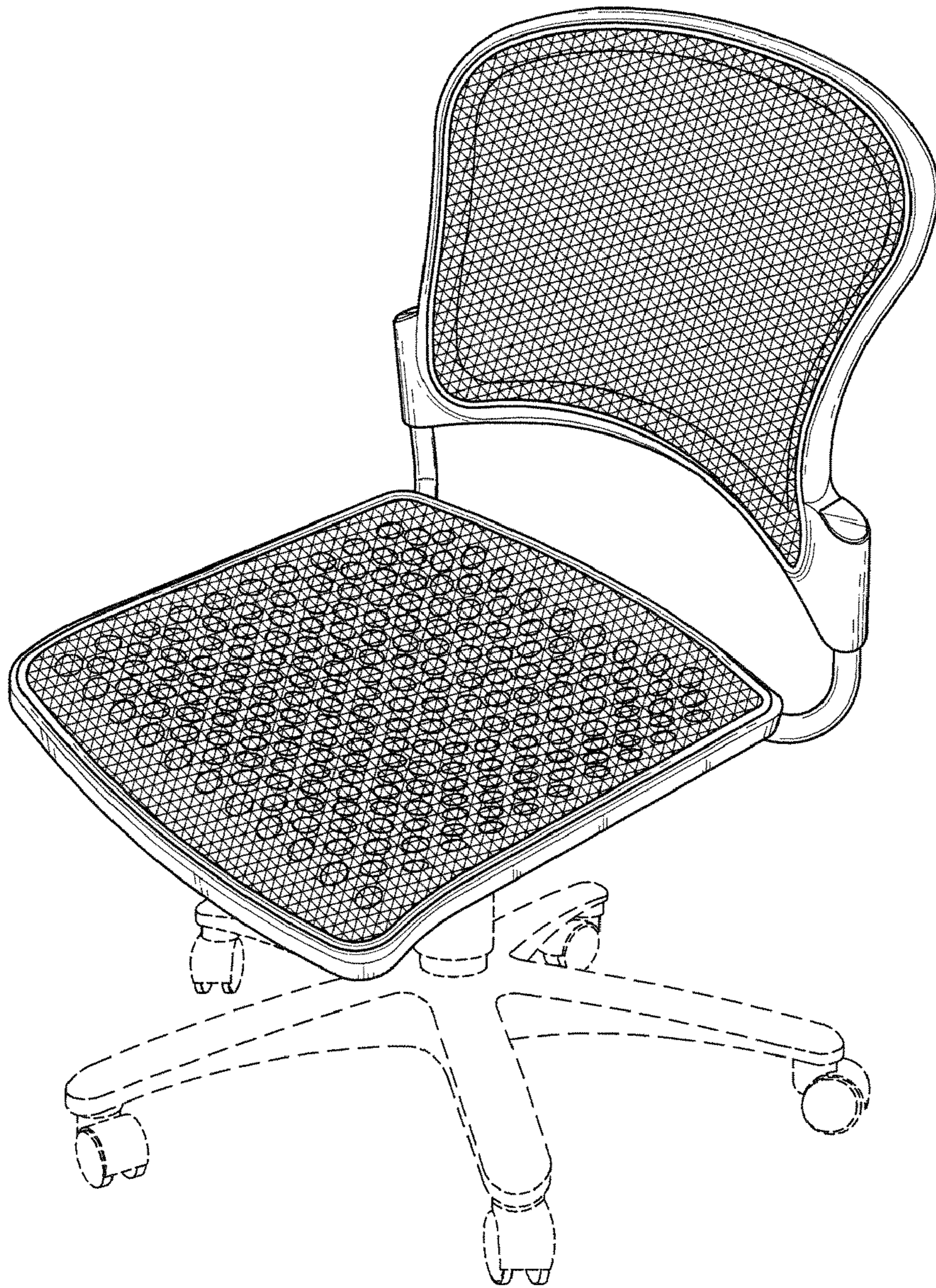


FIG.1

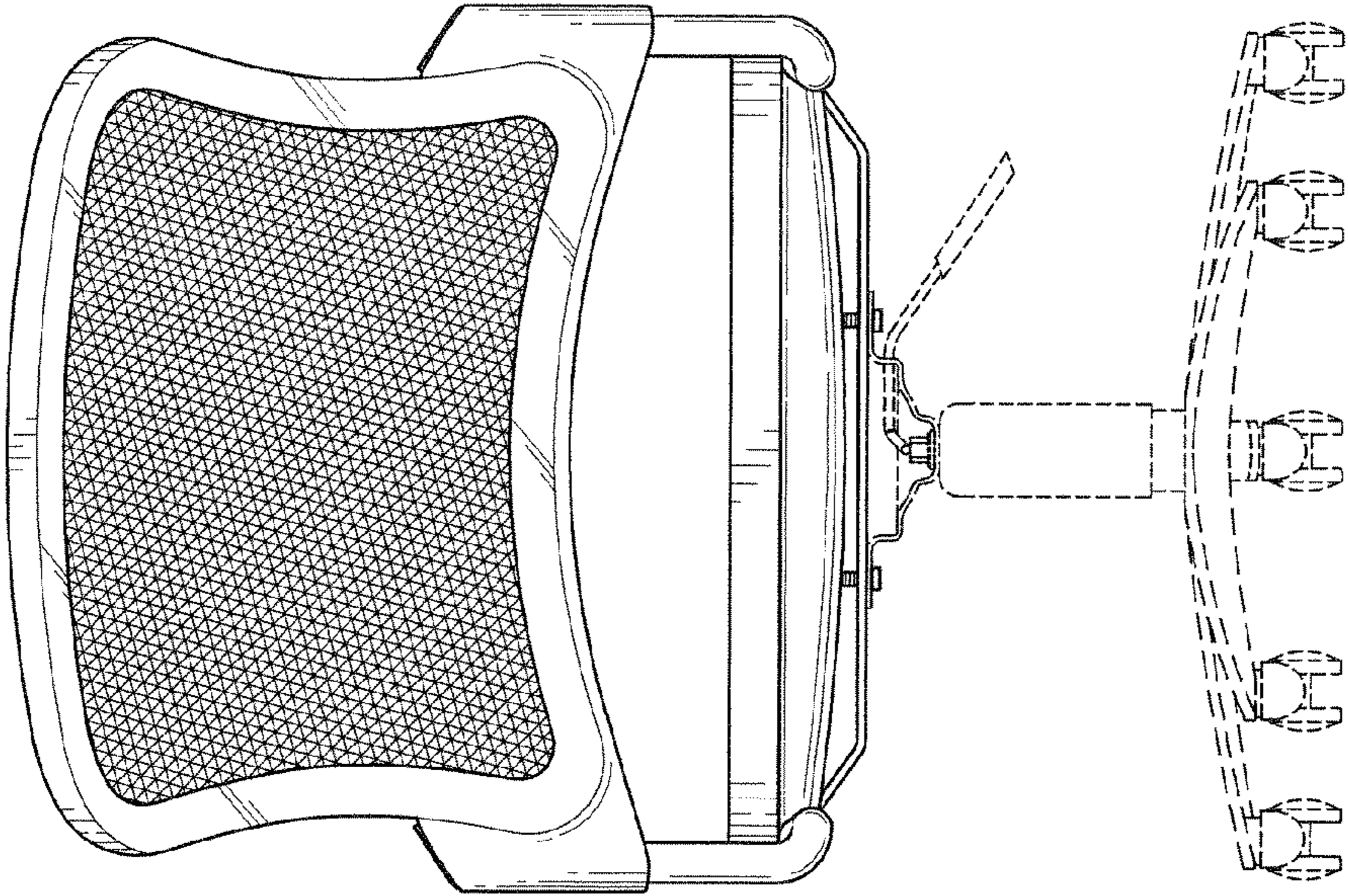


FIG. 2

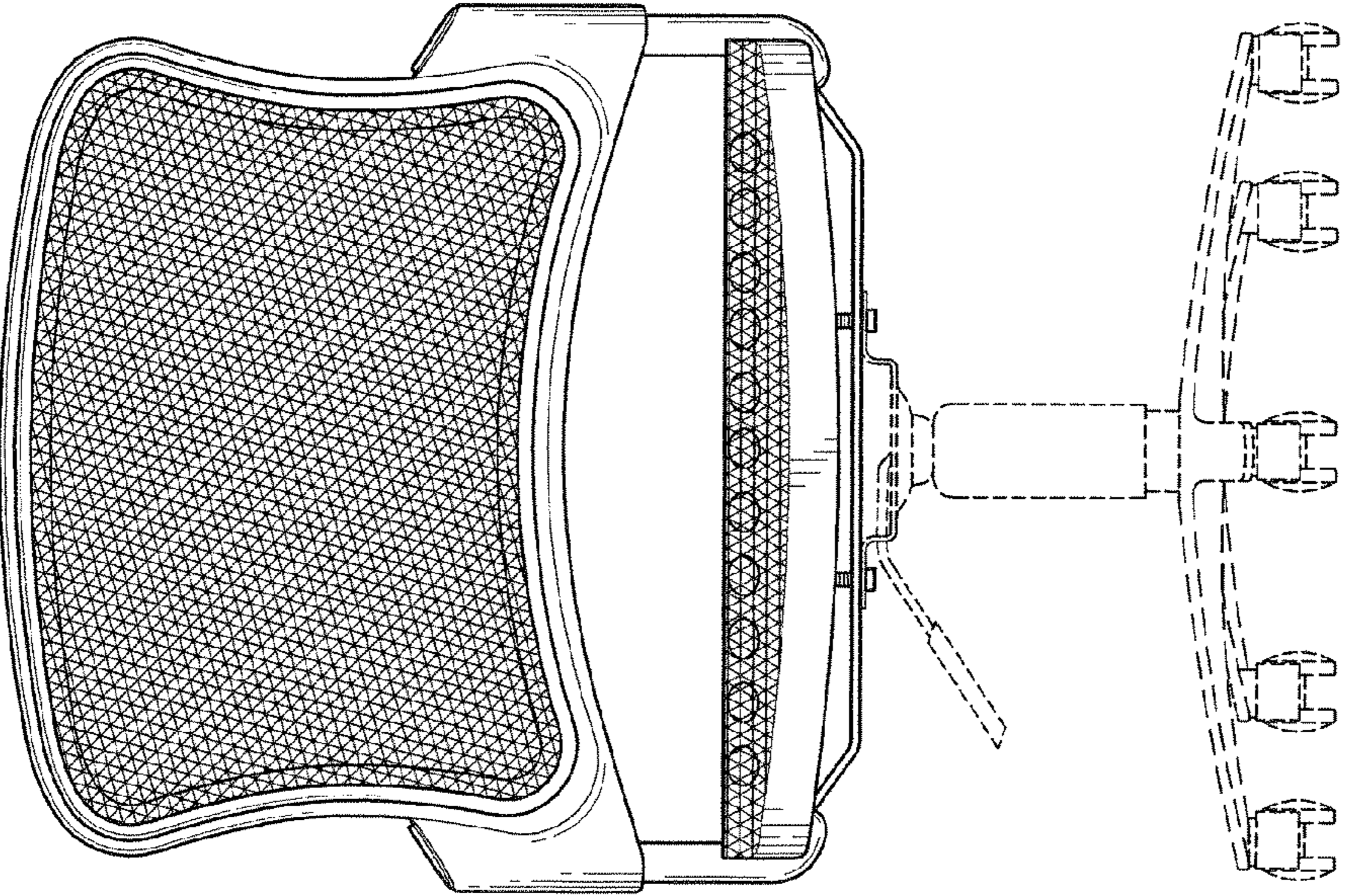


FIG. 3

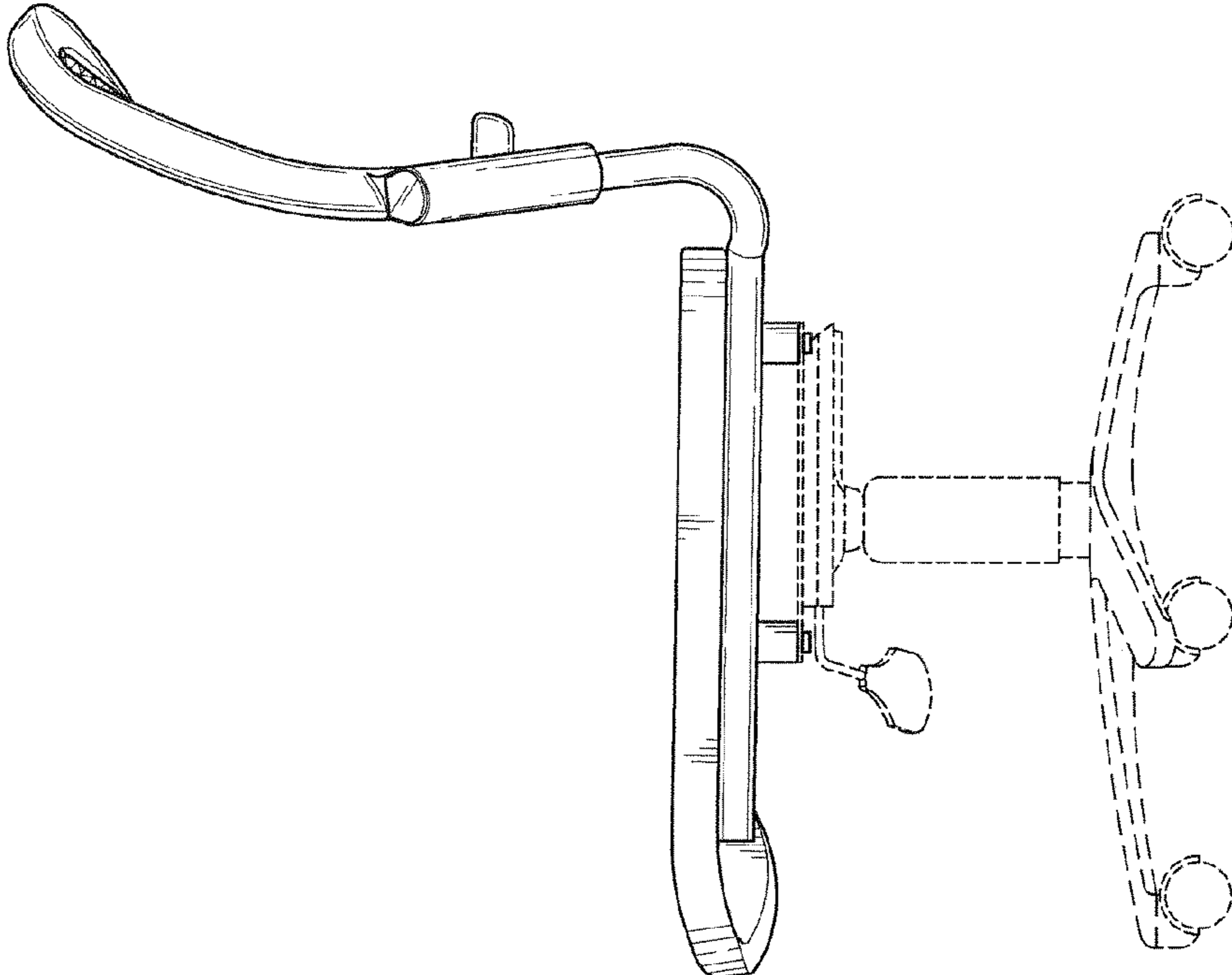


FIG. 4

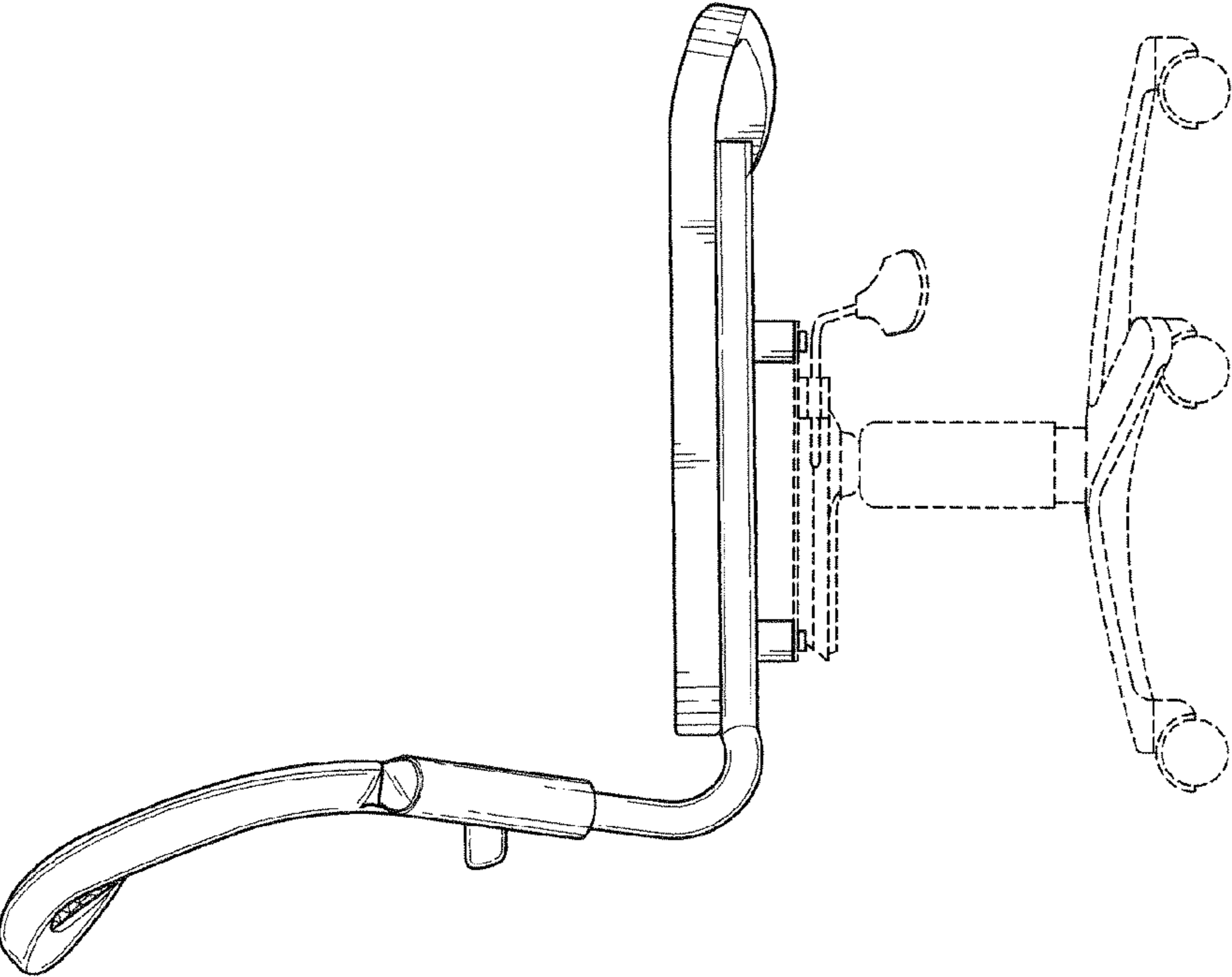


FIG. 5

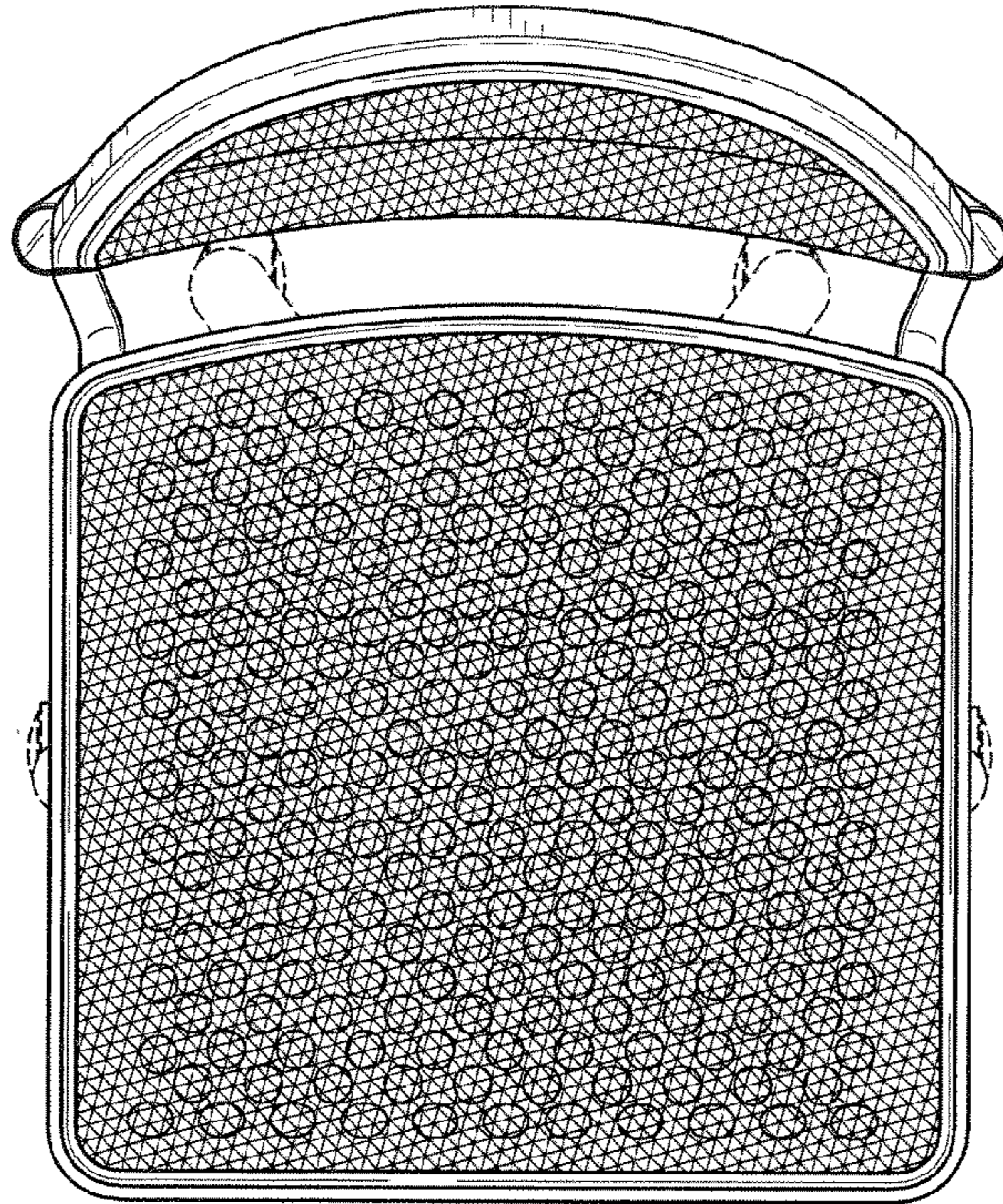


FIG. 6

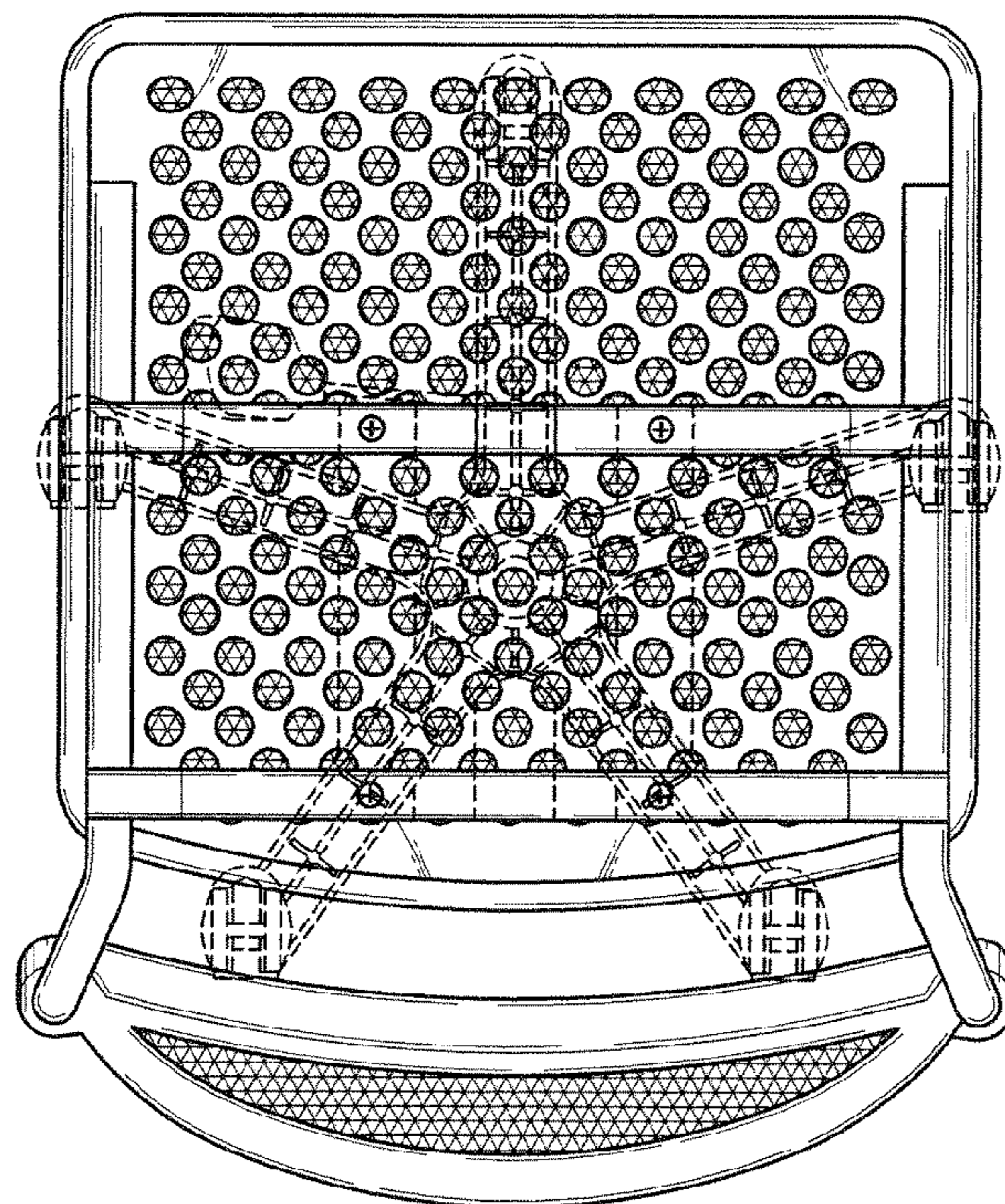


FIG. 7