



US00D647736S

(12) **United States Design Patent**
Costaglia

(10) **Patent No.:** **US D647,736 S**

(45) **Date of Patent:** **** Nov. 1, 2011**

(54) **CHAIR MECHANISM HOUSING**

(75) Inventor: **Massimo Costaglia**, Santa Giustina in Colle (IT)

(73) Assignee: **L&P Property Management Company**, Southgate, CA (US)

(**) Term: **14 Years**

(21) Appl. No.: **29/363,795**

(22) Filed: **Jun. 14, 2010**

(51) **LOC (9) Cl.** **06-01**

(52) **U.S. Cl.** **D6/500**

(58) **Field of Classification Search** D6/334-336,
D6/364, 365, 366, 367, 491, 495, 500-502;
297/300.1, 300.2, 300.5, 300.8, 301.1, 301.2,
297/301.3, 301.4, 301.7, 303.3, 303.4, 303.5,
297/344.18, 344.21, 344.22, 463.1; 248/161,
248/578

See application file for complete search history.

(56) **References Cited**

U.S. PATENT DOCUMENTS

D285,633	S	*	9/1986	Doerner	D6/500
D473,737	S	*	4/2003	Klaesener et al.	D6/500
D549,016	S	*	8/2007	Donati	D6/500
D550,989	S	*	9/2007	Donati	D6/500
D550,991	S	*	9/2007	Donati	D6/500
D557,946	S	*	12/2007	Matern et al.	D6/500
D582,704	S	*	12/2008	Donati	D6/500
D599,586	S	*	9/2009	Moreschi	D6/500

OTHER PUBLICATIONS

Photographs of prior art chair mechanism housings.

* cited by examiner

Primary Examiner — Brian N Vinson

(74) *Attorney, Agent, or Firm* — Shook, Hardy & Bacon L.L.P.

(57) **CLAIM**

The ornamental design for a chair mechanism housing, as shown and described.

DESCRIPTION

FIG. 1 is a rear perspective view of a housing of a chair mechanism of the present invention; FIG. 2 is a right side elevation view thereof; FIG. 3 is a left side elevation view thereof; FIG. 4 is a front side elevation view thereof; FIG. 5 is a rear side elevation view thereof; FIG. 6 is a top plan view thereof; FIG. 7 is a right side elevation view thereof similar to FIG. 2, but with some environment removed; FIG. 8 is a left side elevation view thereof similar to FIG. 3, but with some environment removed; FIG. 9 is a front side elevation view thereof similar to FIG. 4, but with some environment removed; FIG. 10 is a rear side elevation view thereof similar to FIG. 5, but with some environment removed; and, FIG. 11 is a top plan view thereof similar to FIG. 6, but with some environment removed.

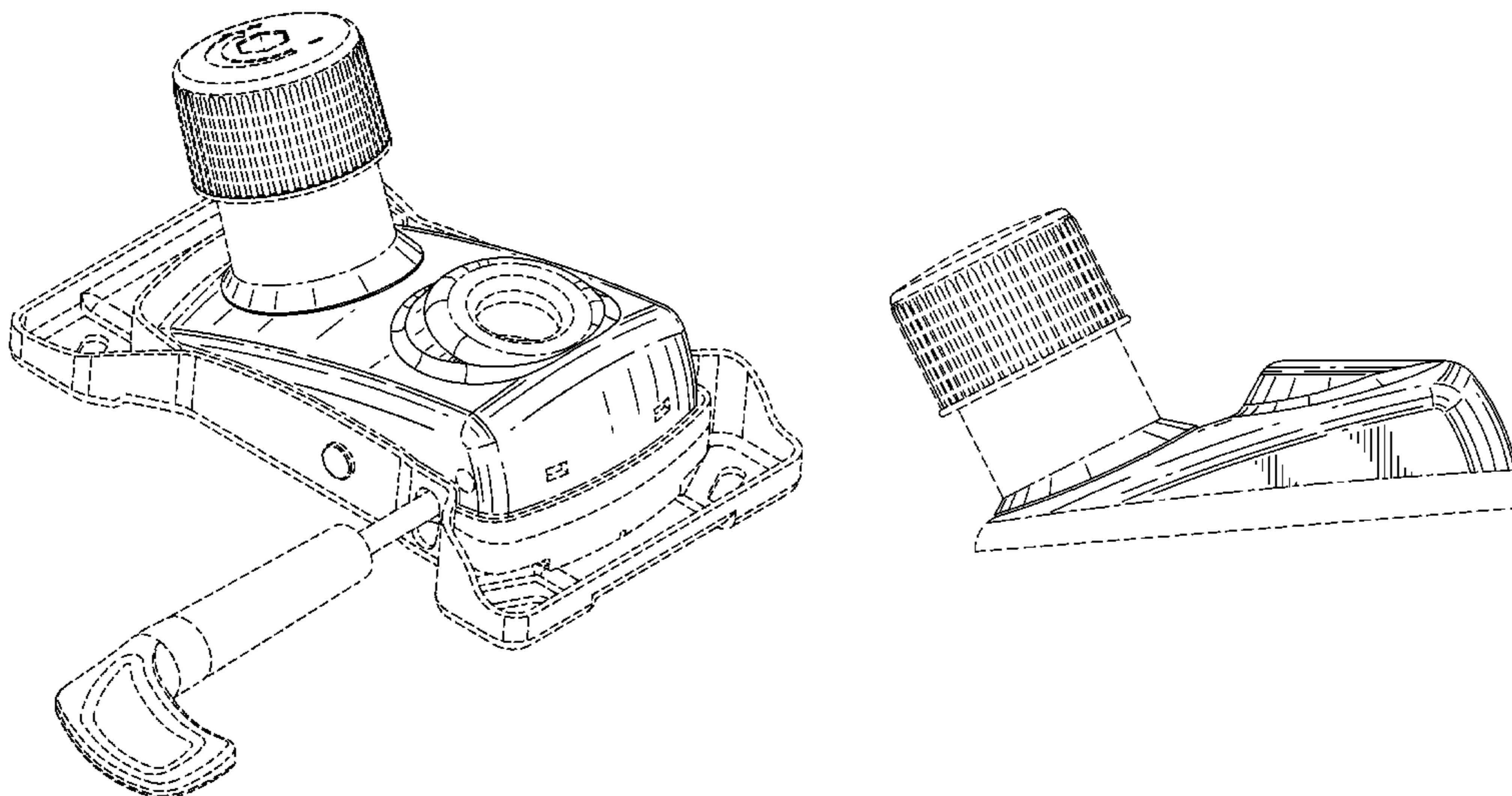
A bottom plan view has been omitted as it does not form a portion of the claimed design.

The evenly spaced broken lines shown in the drawings are directed to environment, are for informational purposes only, and form no part of the claimed design.

The long and short broken lines are boundary lines which define the bounds of the claimed design. These boundaries do not exist in reality in the article embodying the design. It is understood that the claimed design extends to these boundaries but does not include the boundaries.

The surface shading lines on the claimed portion are provided only to indicate the character and/or any contour or curvature of the surfaces. They do not indicate color, texture, markings that actually exist thereon, indicia, graphic representations, surface treatment, or any other ornamentation applied to the article.

1 Claim, 6 Drawing Sheets



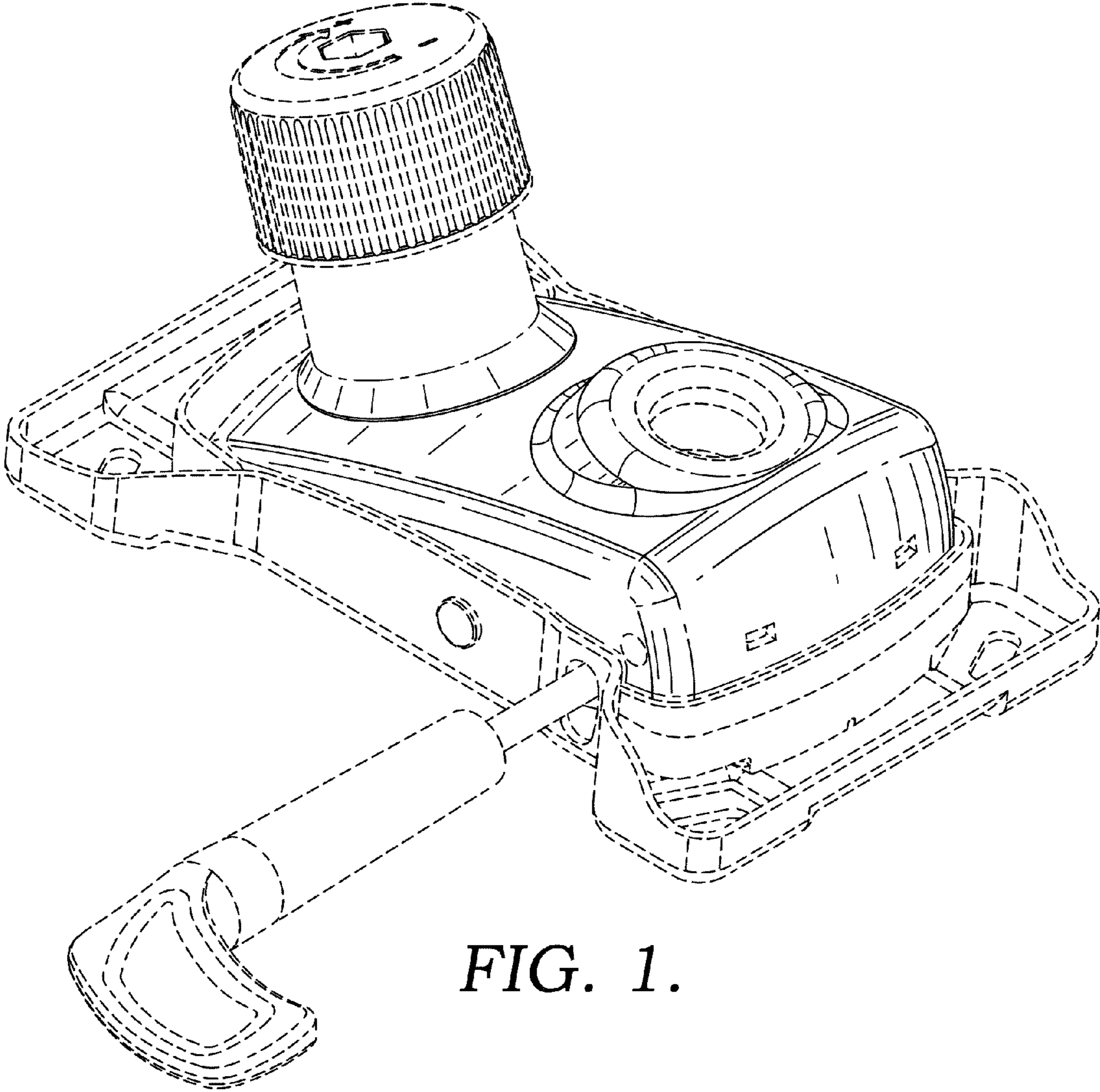


FIG. 1.

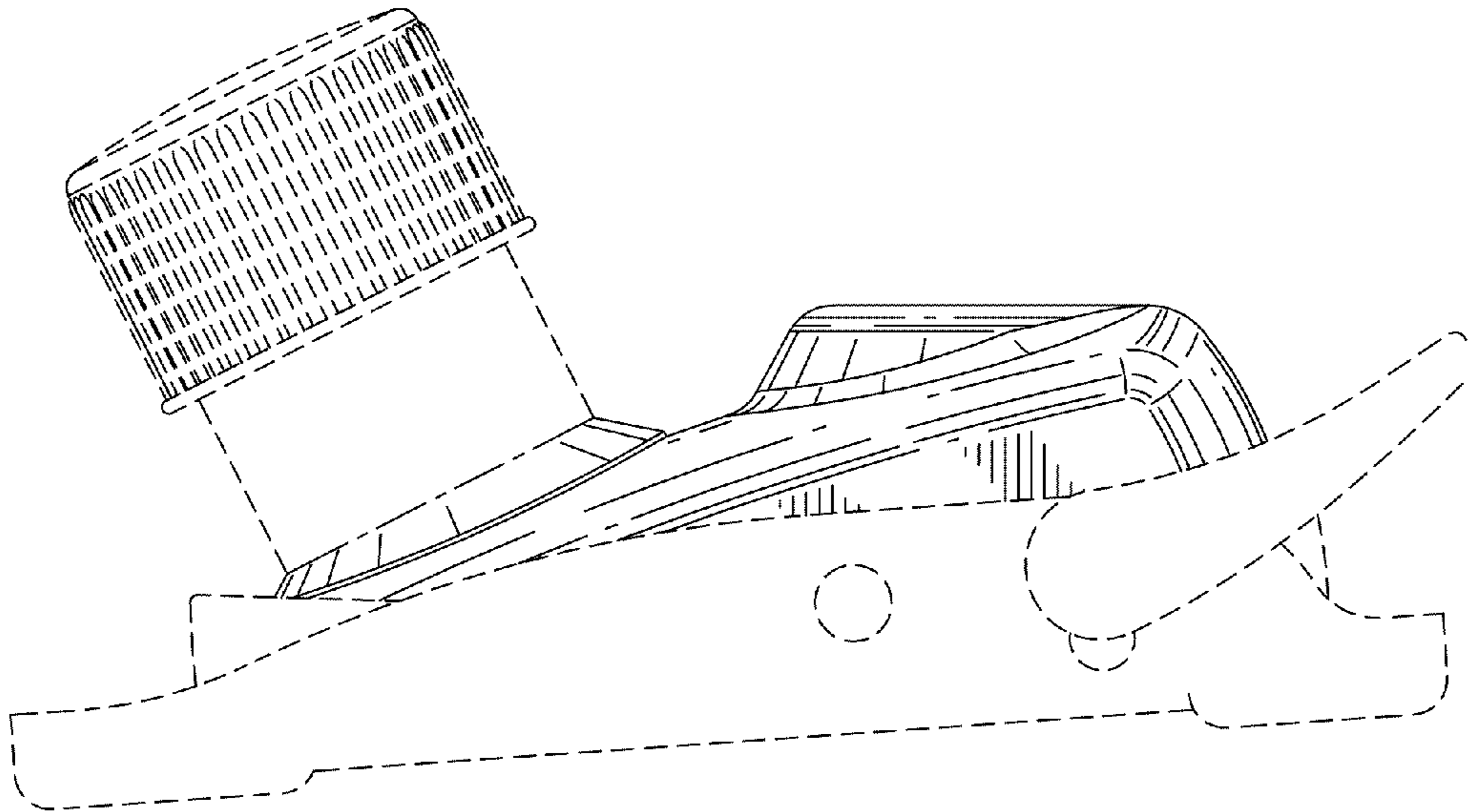


FIG. 2.

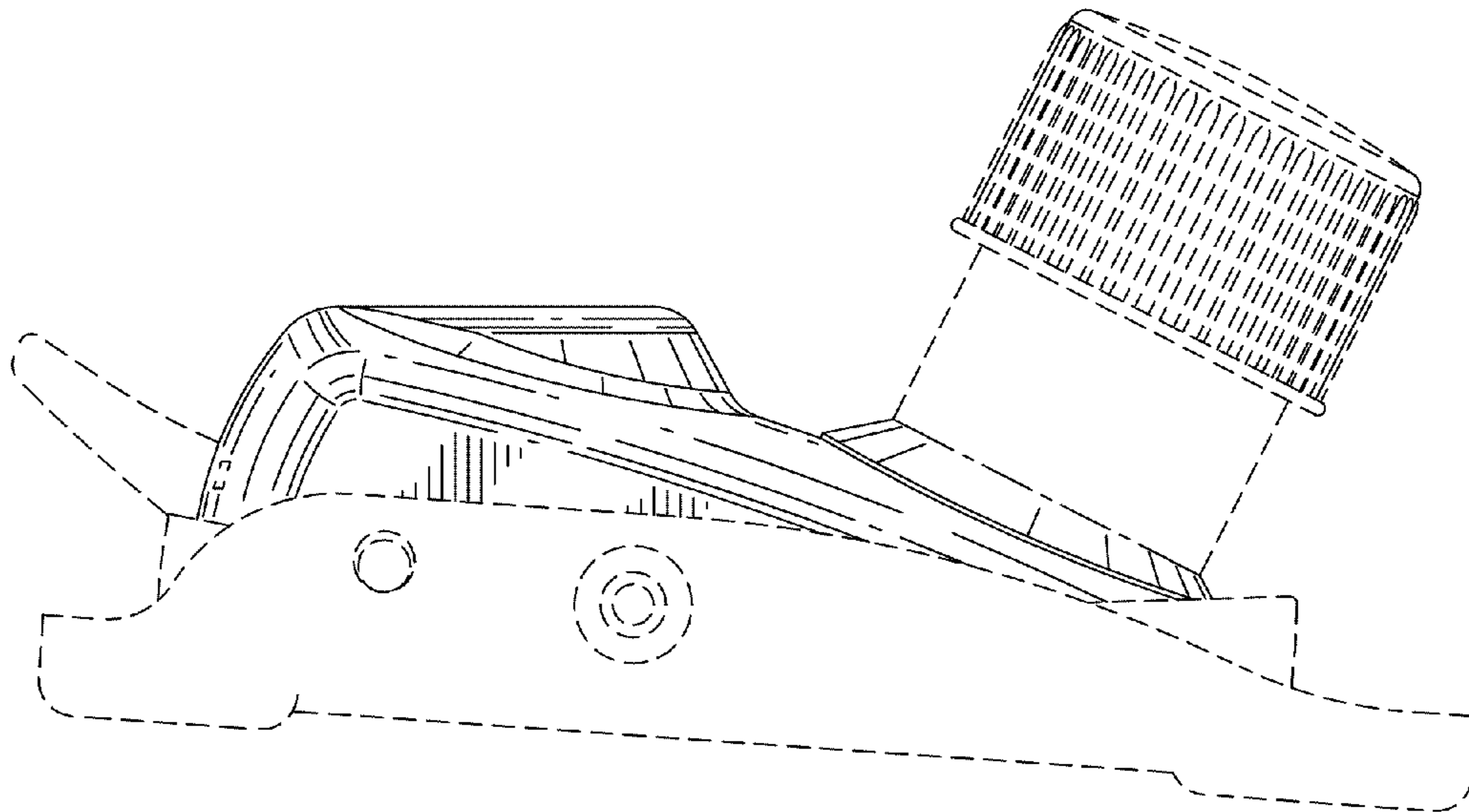
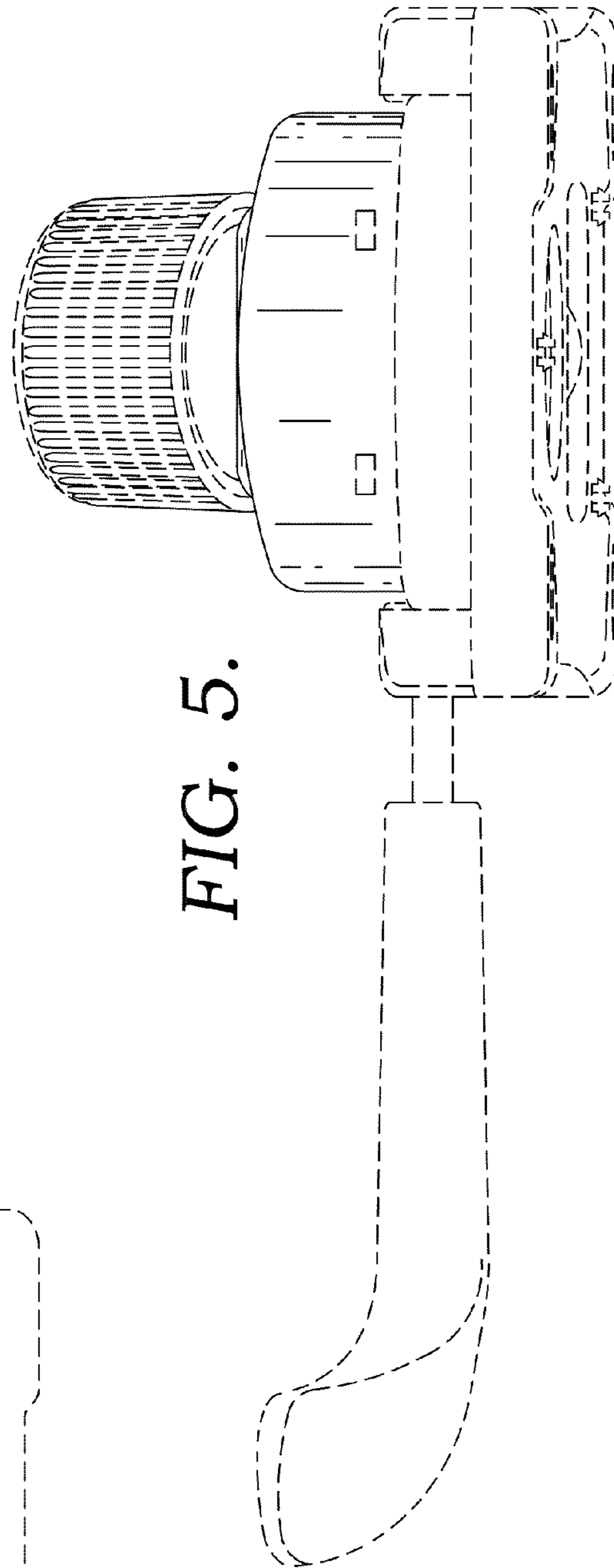
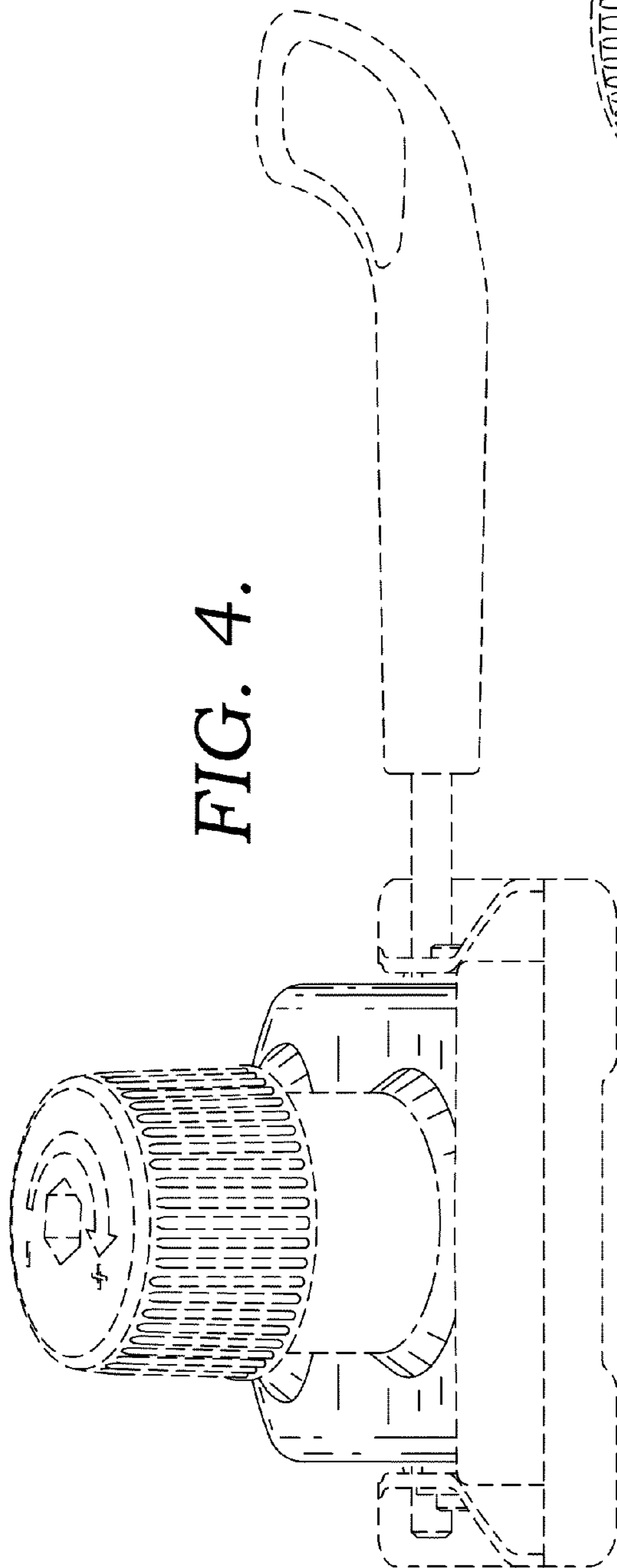


FIG. 3.



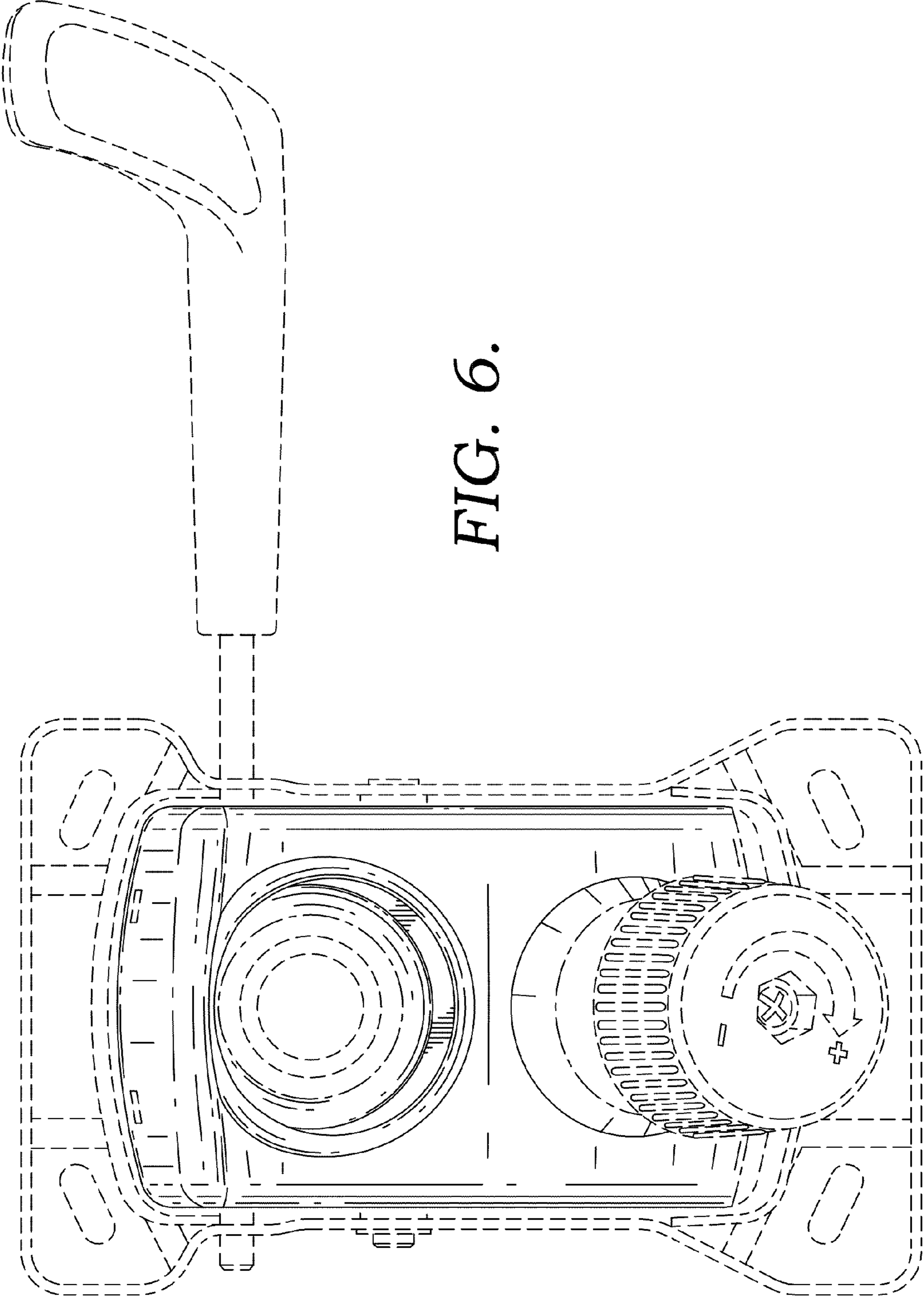


FIG. 6.

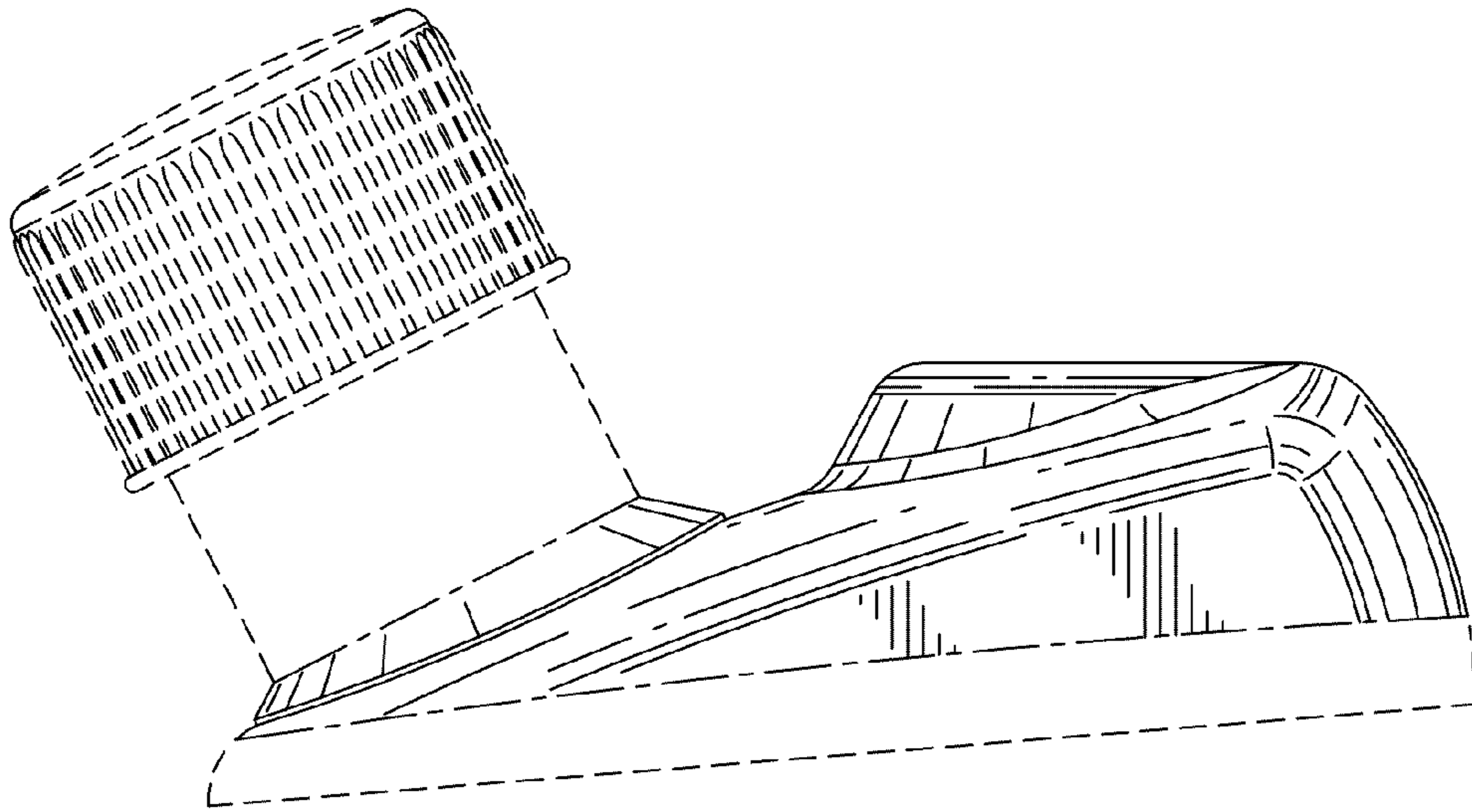


FIG. 7.

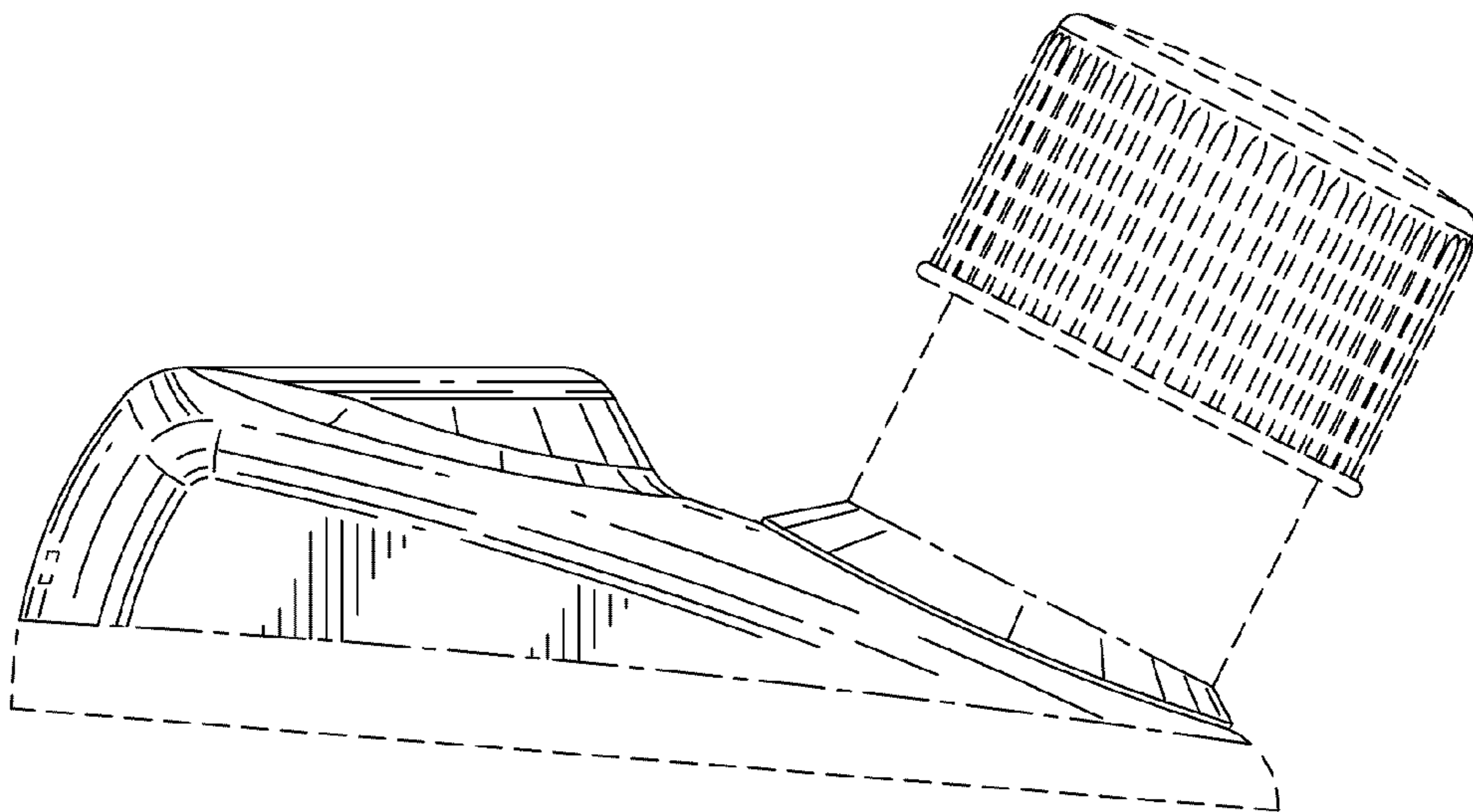


FIG. 8.

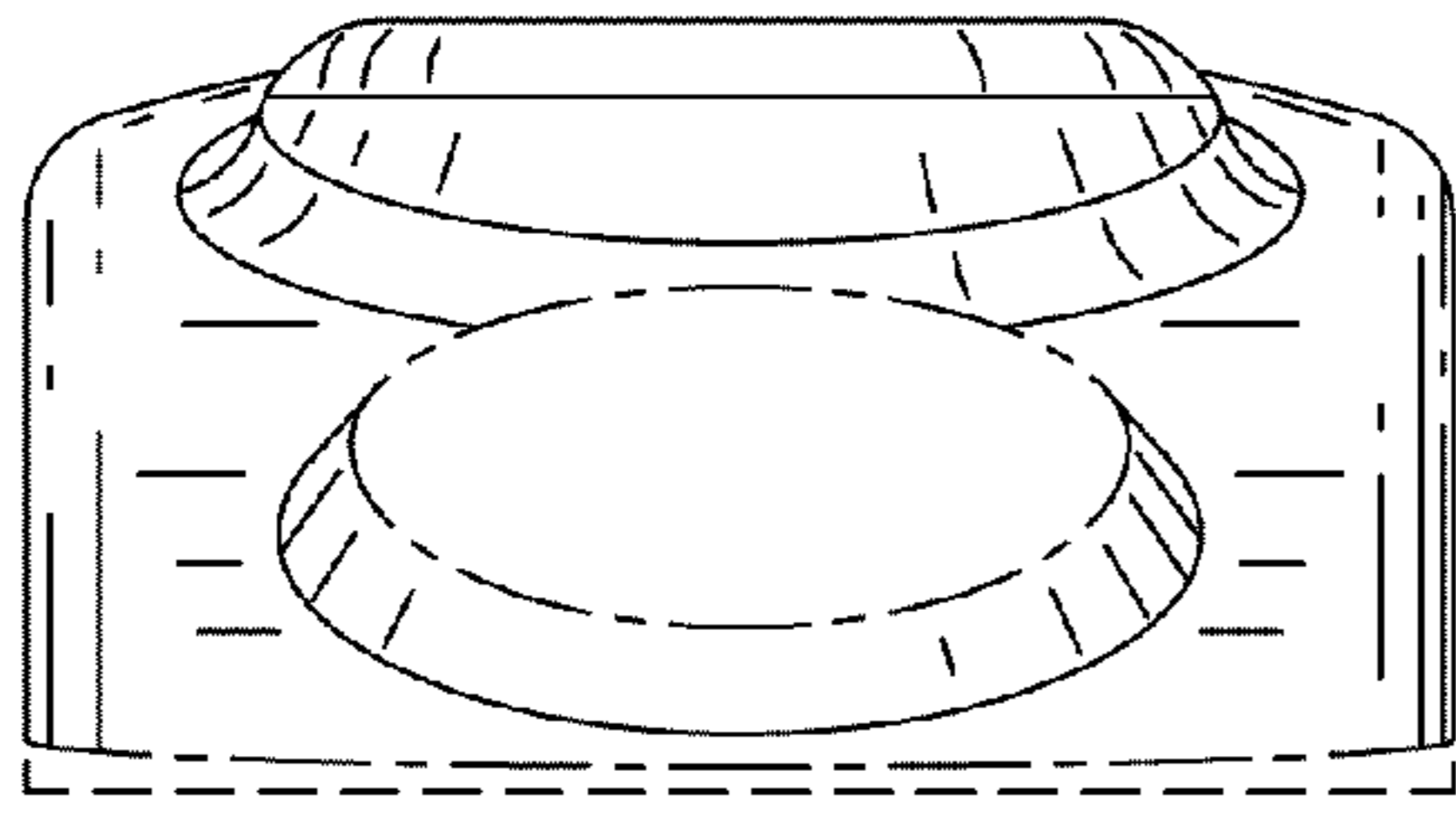


FIG. 9.

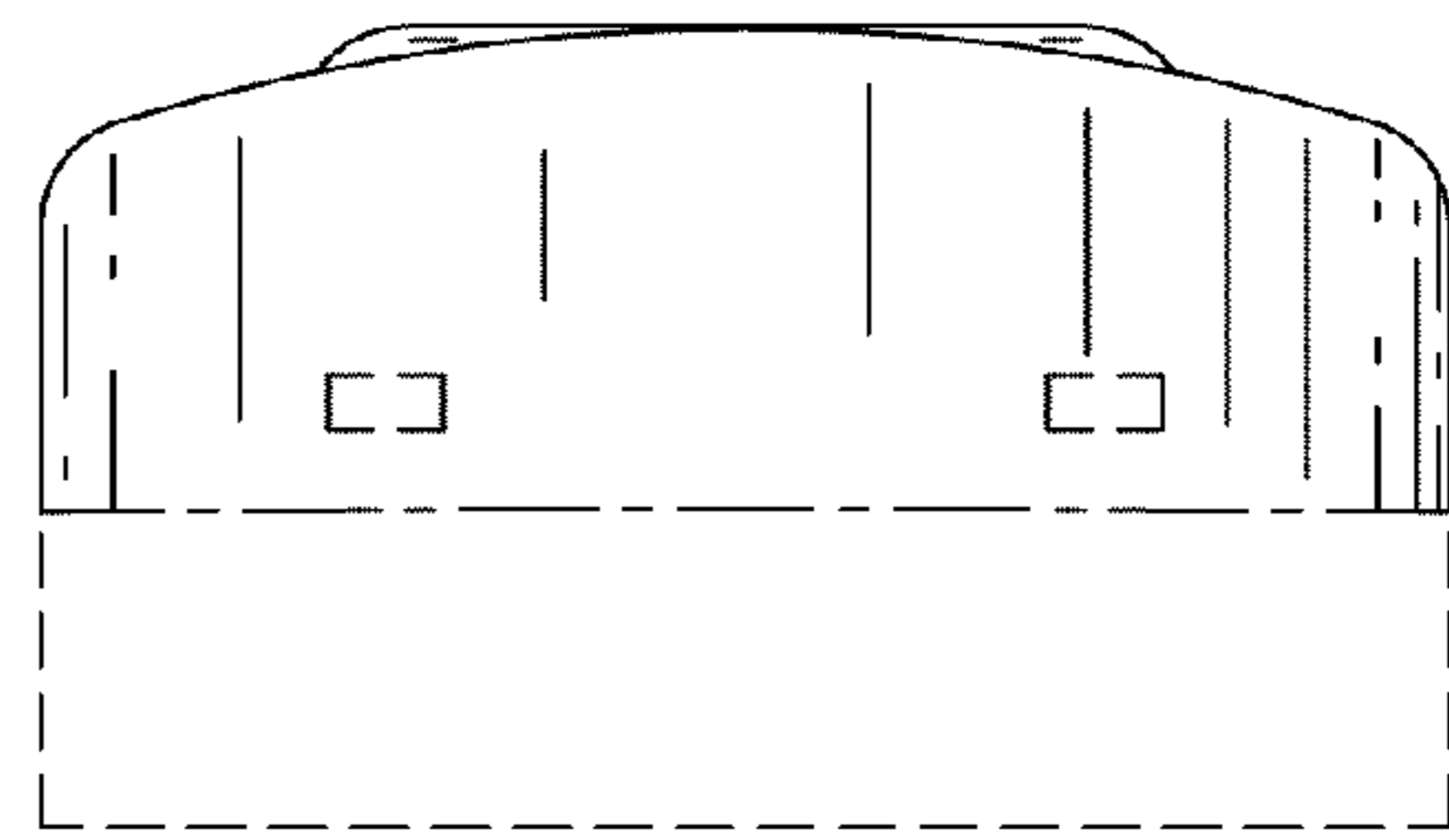


FIG. 10.

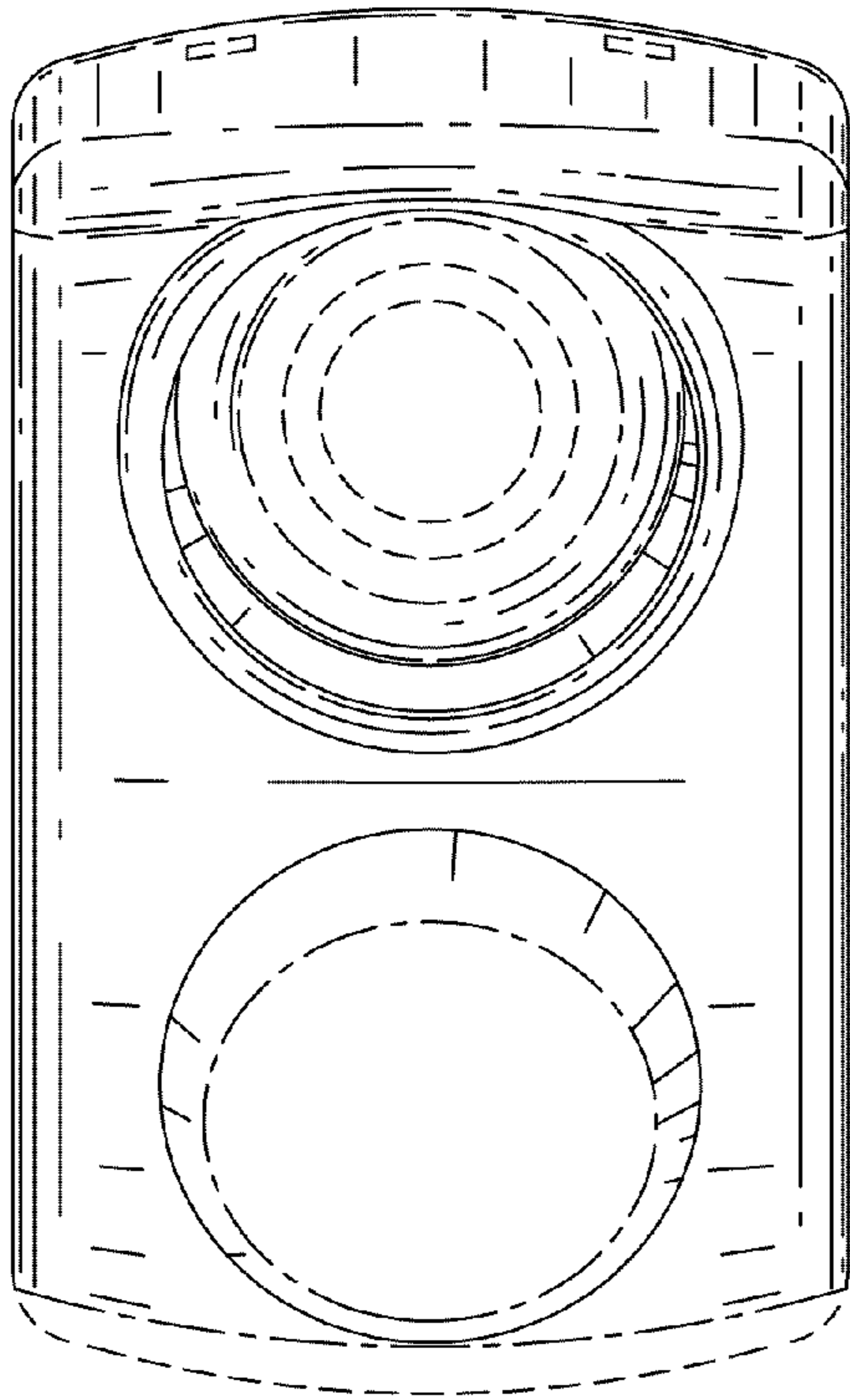


FIG. 11.