



US00D647734S

(12) **United States Design Patent**
Donati

(10) **Patent No.:** **US D647,734 S**

(45) **Date of Patent:** **** Nov. 1, 2011**

(54) **SEAT MECHANISM**

(75) Inventor: **Armando Donati**, Lumezzane (IT)

(73) Assignee: **Donati S.p.A.**, Rodengo Saiano
(Brescia) (IT)

(**) Term: **14 Years**

(21) Appl. No.: **29/347,843**

(22) Filed: **Jun. 22, 2010**

(30) **Foreign Application Priority Data**

Feb. 2, 2010 (EM) 0001666710-0002

(51) **LOC (9) Cl.** **06-01**

(52) **U.S. Cl.** **D6/500**

(58) **Field of Classification Search** D6/334-336,
D6/364, 365, 366, 367, 491, 495, 500-502;
297/300.1, 300.2, 300.5, 300.8, 301.1, 301.2,
297/301.3, 301.4, 301.7, 303.3, 303.4, 303.5,
297/344.18, 344.21, 344.22, 463.1; 248/161,
248/578

See application file for complete search history.

(56) **References Cited**

U.S. PATENT DOCUMENTS

D285,633 S * 9/1986 Doerner D6/500
D473,737 S * 4/2003 Klaesener et al. D6/500
D549,014 S 8/2007 Donati
D549,016 S * 8/2007 Donati et al. D6/500
D550,989 S * 9/2007 Donati D6/500

D550,990 S 9/2007 Donati
D550,991 S * 9/2007 Donati D6/500
D557,946 S * 12/2007 Matern et al. D6/500
7,364,233 B2 4/2008 Donati
D578,326 S 10/2008 Donati
D582,704 S * 12/2008 Donati D6/500
D582,705 S 12/2008 Donati
D599,586 S * 9/2009 Moreschi D6/500
2006/0255636 A1 11/2006 Donati

OTHER PUBLICATIONS

Donati, U.S. Appl. No. 29/347,842, filed Jun. 22, 2010.

* cited by examiner

Primary Examiner — Brian N Vinson

(74) *Attorney, Agent, or Firm* — Nixon & Vanderhye P.C.

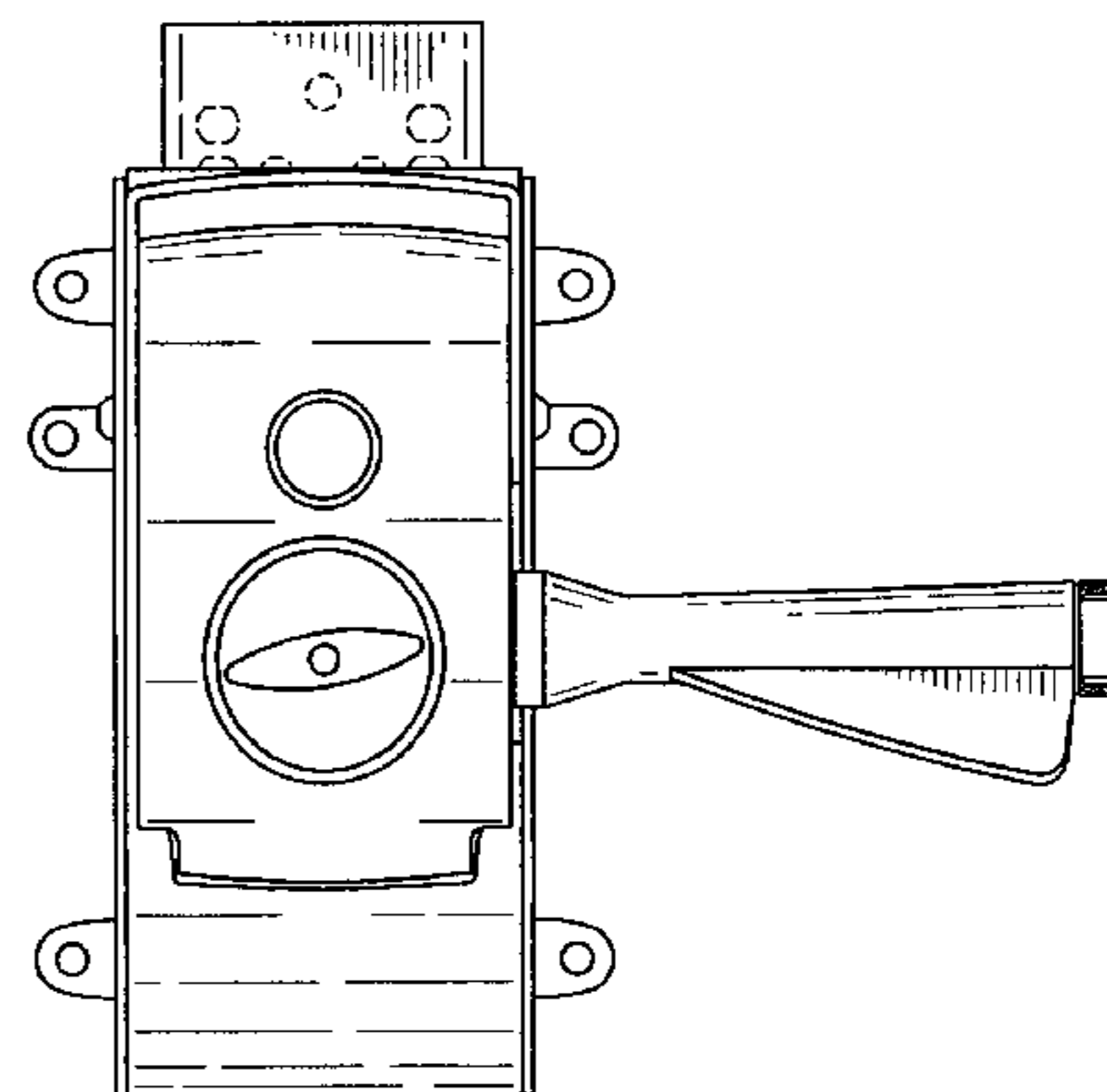
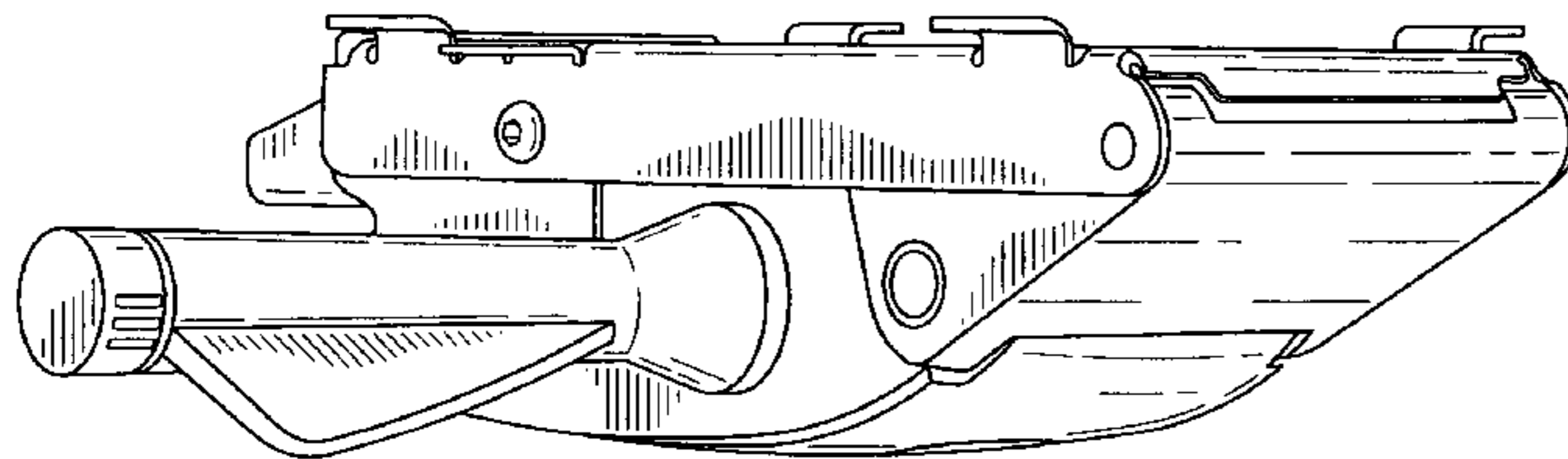
(57) **CLAIM**

The ornamental appearance of a seat mechanism, as shown.

DESCRIPTION

FIG. 1 is a perspective view of a seat mechanism according to my new ornamental design;
FIG. 2 is a top view thereof;
FIG. 3 is a front view thereof;
FIG. 4 is a right side view thereof;
FIG. 5 is a rear view thereof;
FIG. 6 is a left side view thereof; and,
FIG. 7 is a bottom view thereof.

1 Claim, 3 Drawing Sheets



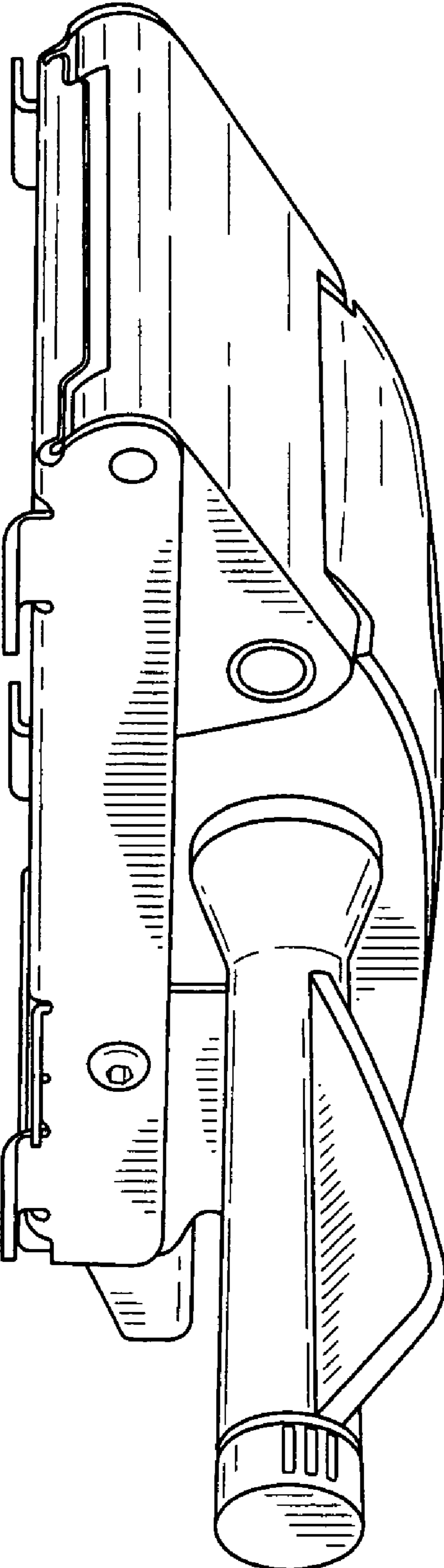


FIG-1

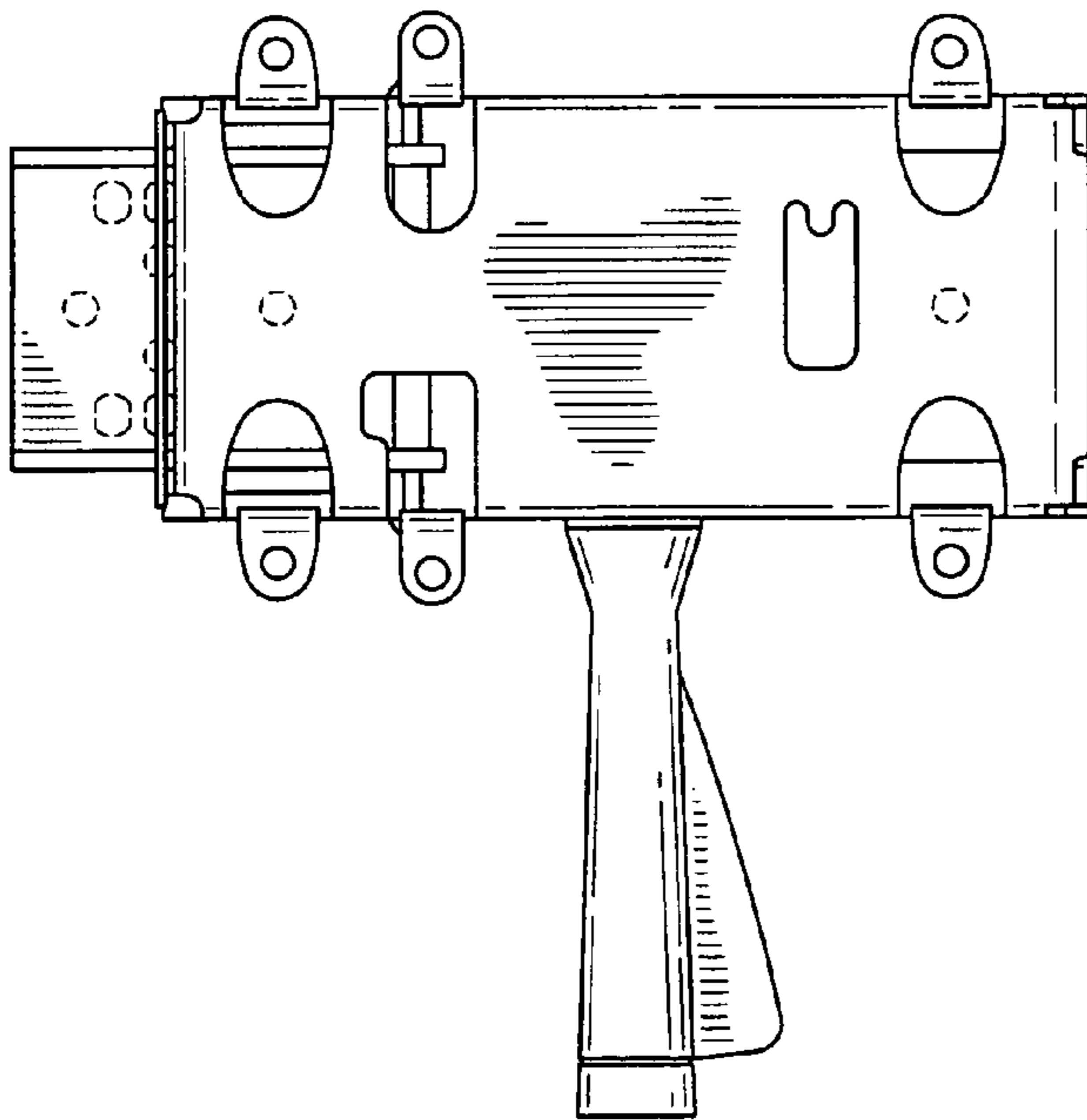


FIG-2

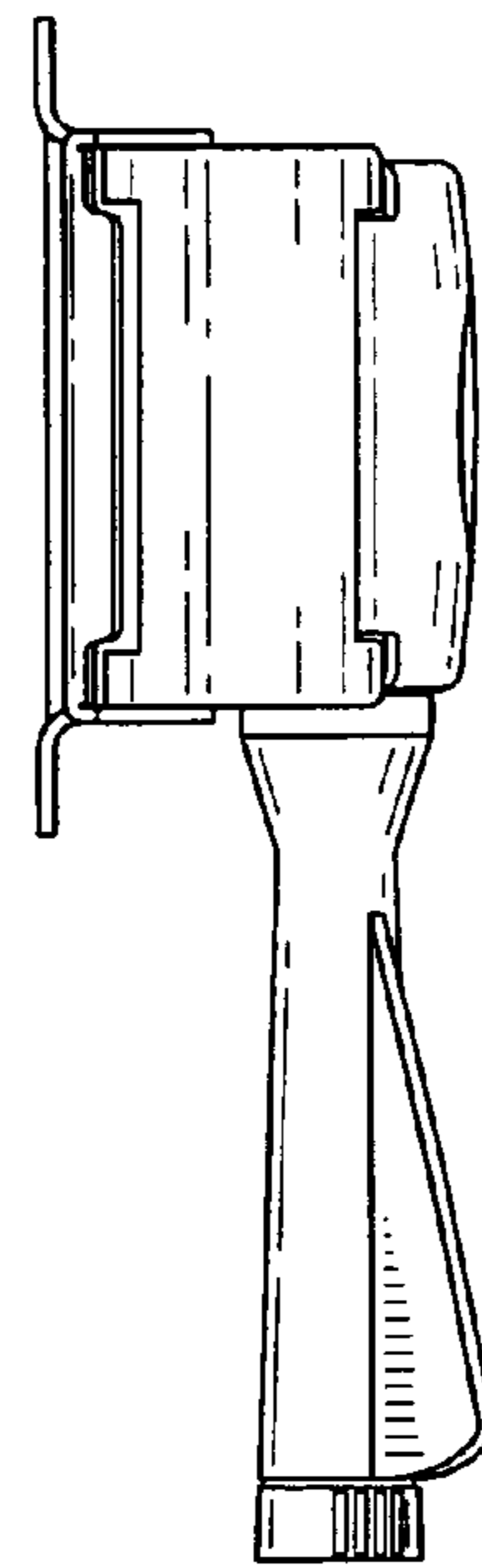


FIG-3

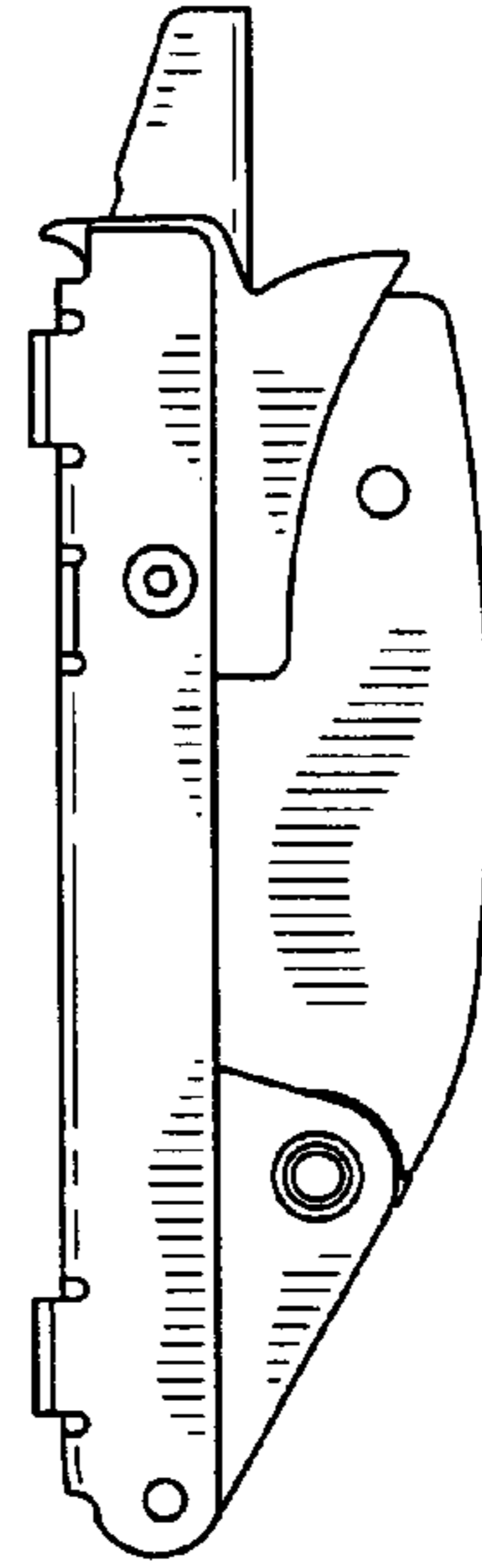


FIG-4

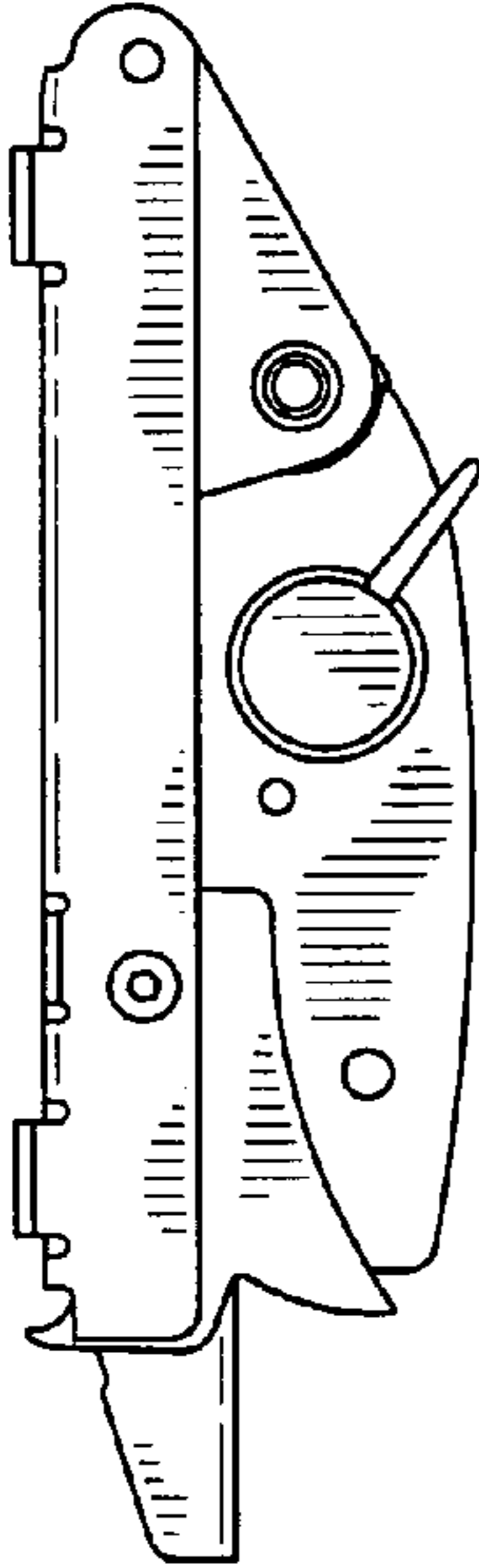


FIG-6

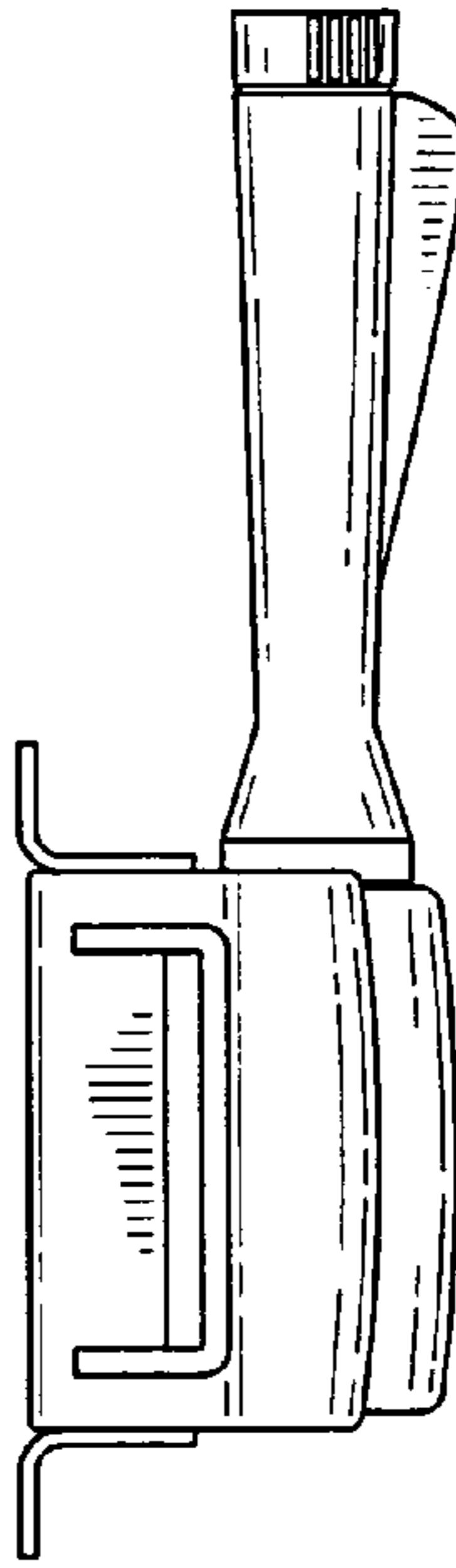


FIG-5

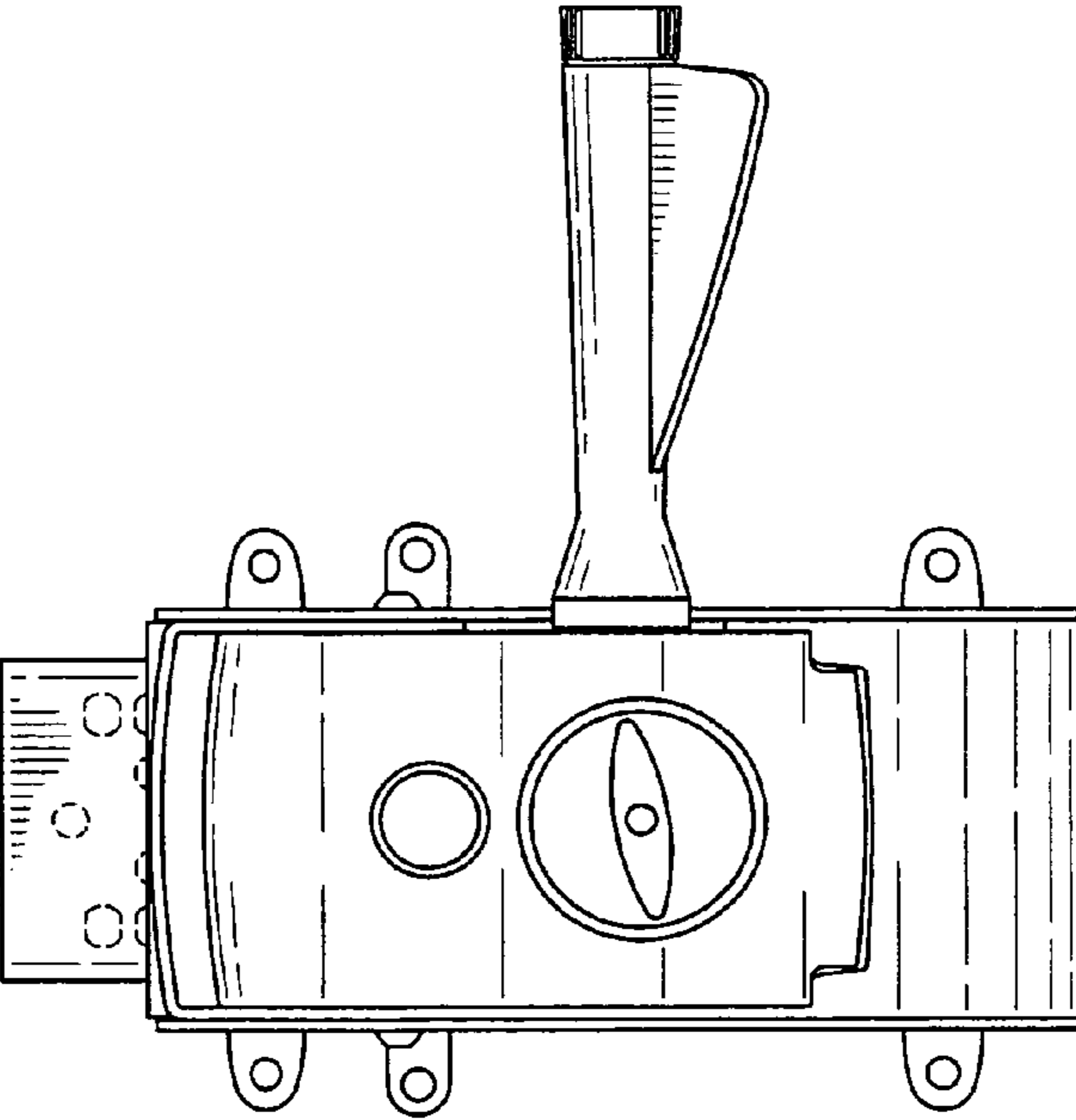


FIG-7