



US00D647731S

(12) **United States Design Patent**
Kotz et al.

(10) **Patent No.:** **US D647,731 S**
(45) **Date of Patent:** **** Nov. 1, 2011**

- (54) **SHELVING UNIT**
- (75) Inventors: **Jeff Kotz**, Cary, IL (US); **Snehal Madhavrao Wagh**, Nasik, IN (US)
- (73) Assignee: **Knaack LLC**, Crystal Lake, IL (US)
- (**) Term: **14 Years**
- (21) Appl. No.: **29/397,213**
- (22) Filed: **Jul. 13, 2011**

- D476,510 S * 7/2003 Henry et al. D6/479
- 6,726,038 B2 4/2004 Ko
- D494,778 S 8/2004 Vosbikian
- D498,951 S 11/2004 Yamaguchi
- D533,283 S * 12/2006 Holztrager D25/123
- D551,781 S * 9/2007 Abdullah D25/123
- D594,252 S * 6/2009 Gehring D6/465
- D607,667 S 1/2010 Cayouette
- D611,743 S 3/2010 Mitten et al.
- D637,427 S 5/2011 Troyner et al.
- D637,837 S 5/2011 Kubota

* cited by examiner

Related U.S. Application Data

- (62) Division of application No. 29/391,274, filed on May 5, 2011.
- (51) **LOC (9) Cl.** **06-06**
- (52) **U.S. Cl.** **D6/492**
- (58) **Field of Classification Search** D6/396-397, D6/449, 461-462, 465, 467, 474, 476-479, D6/492, 499, 509, 511, 574; 211/90.01, 211/90.04, 94.01, 94.02, 166, 207; 108/59-61, 108/92, 95, 106-107, 147.11
See application file for complete search history.

Primary Examiner — Elizabeth Albert
Assistant Examiner — Kelley Donnelly
 (74) *Attorney, Agent, or Firm* — McDonnell Boehnen Hulbert & Berghoff LLP

(57) **CLAIM**
 The ornamental design for a shelving unit, as shown and described.

DESCRIPTION

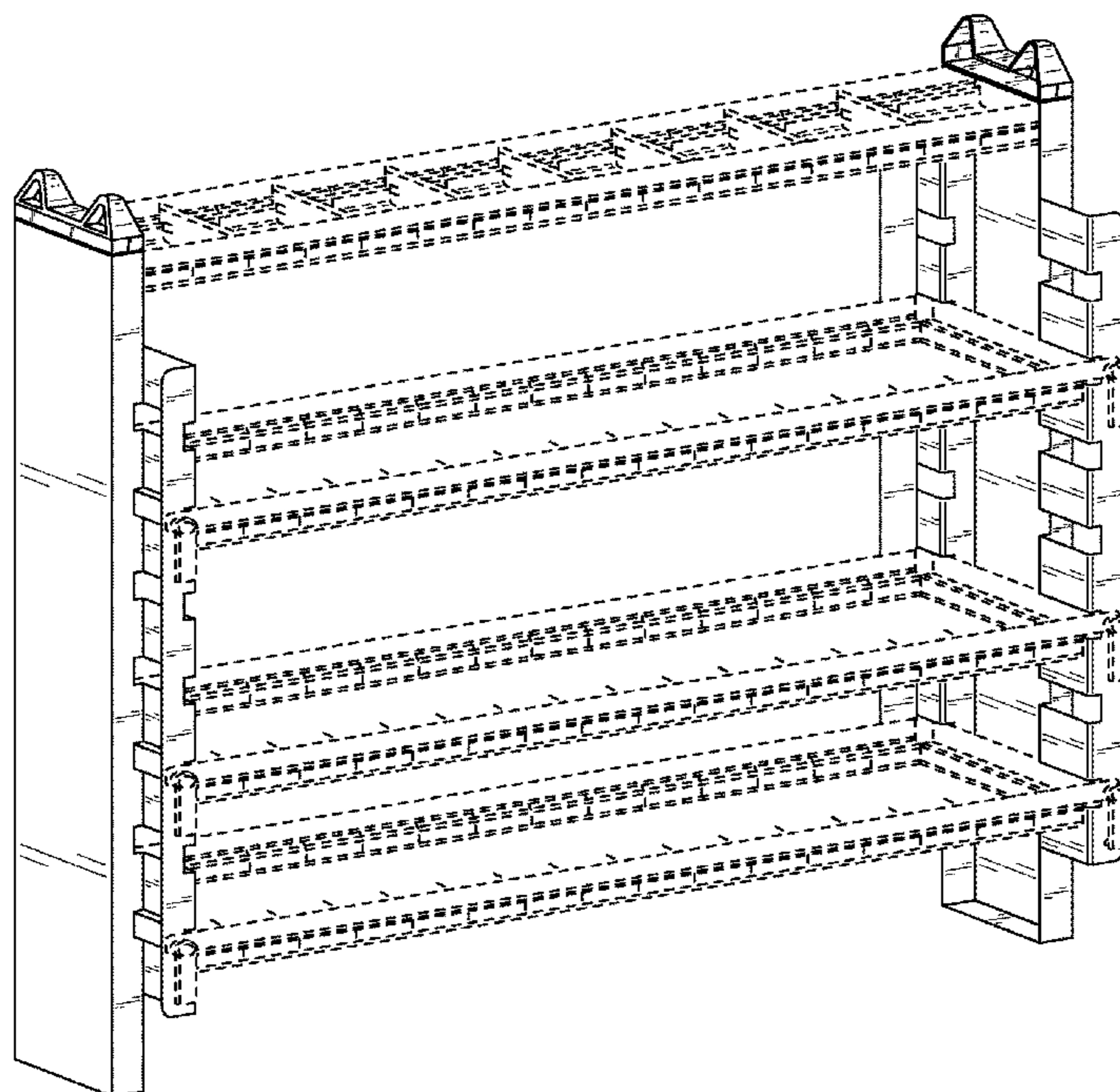
FIG. 1 is a perspective view of the shelving unit of the present design;
 FIG. 2 is a front view thereof;
 FIG. 3 is a rear view thereof;
 FIG. 4 is a left side view thereof;
 FIG. 5 is a right side view thereof;
 FIG. 6 is a top view thereof; and,
 FIG. 7 is a bottom view thereof.
 The broken line portions of the drawings are included for the purpose of illustrating environment and form no part of the claimed design.

(56) **References Cited**

U.S. PATENT DOCUMENTS

- 3,268,089 A 8/1966 Hall
- D368,397 S 4/1996 Weberg
- 5,628,256 A 5/1997 Lazarus
- D416,147 S * 11/1999 Dickinson et al. D6/479
- D425,732 S 5/2000 Grosfillex
- D429,095 S * 8/2000 Grosfillex D6/479
- D429,582 S 8/2000 Grosfillex

1 Claim, 5 Drawing Sheets



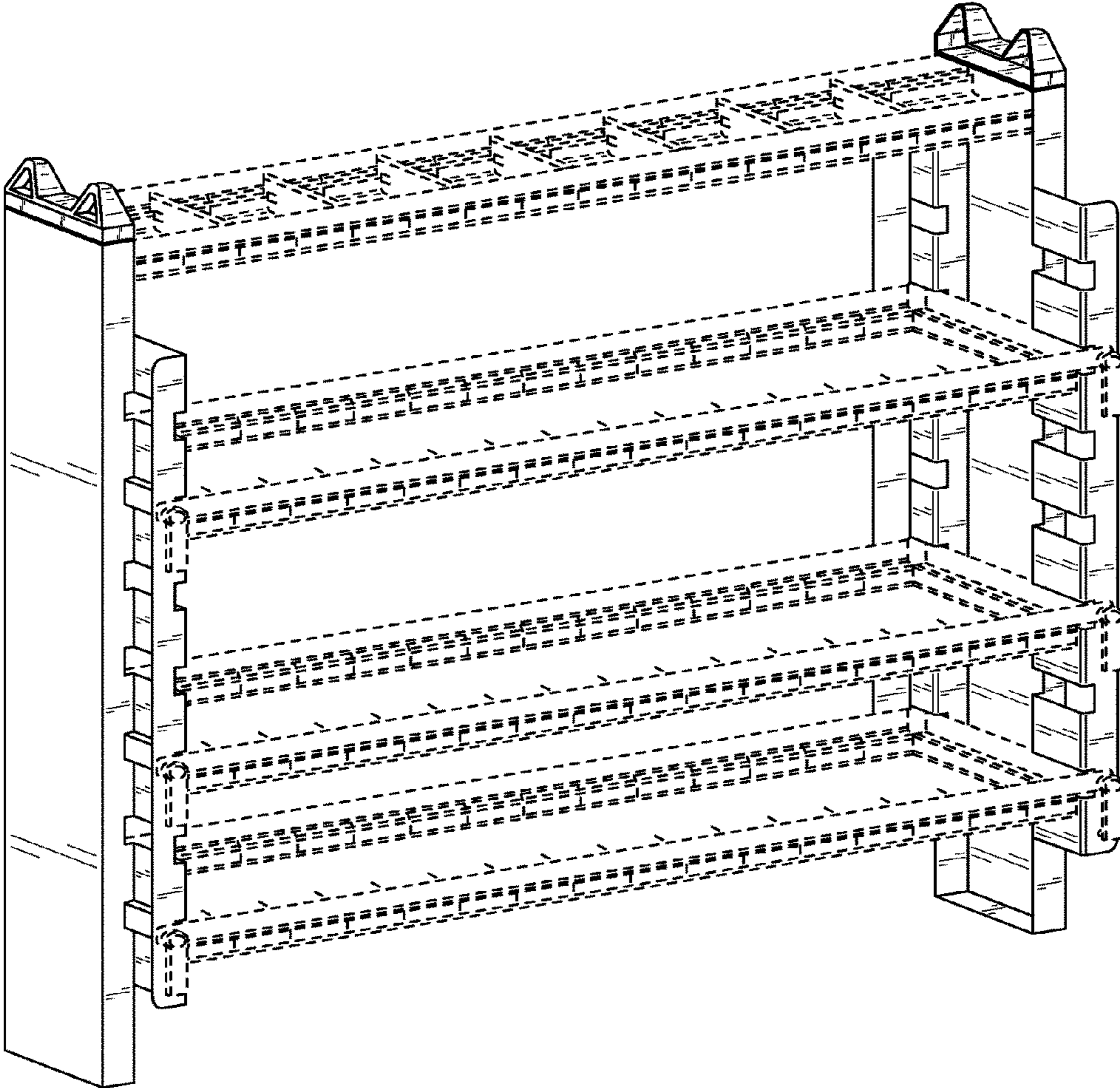


FIG. 1

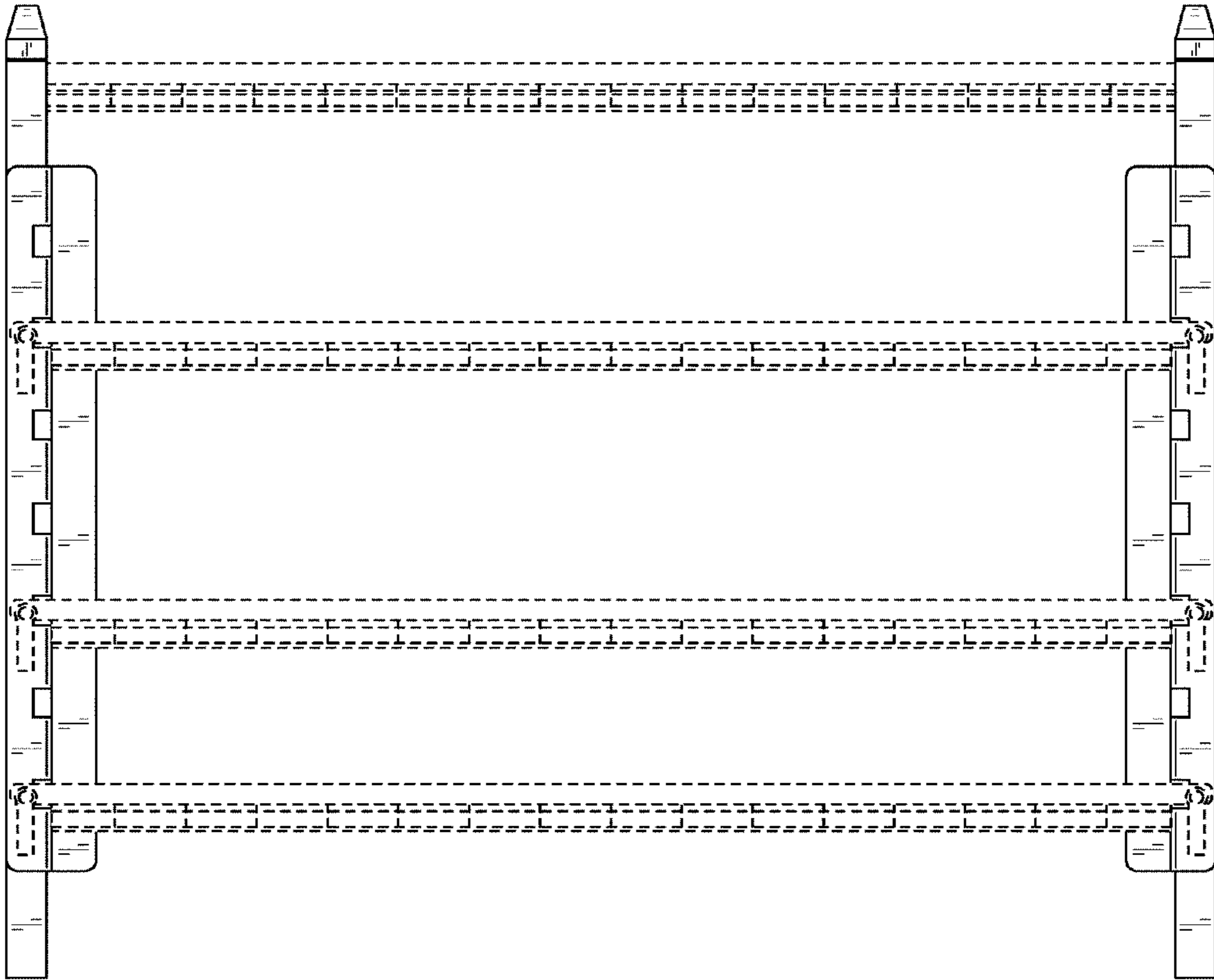


FIG. 2



FIG. 3

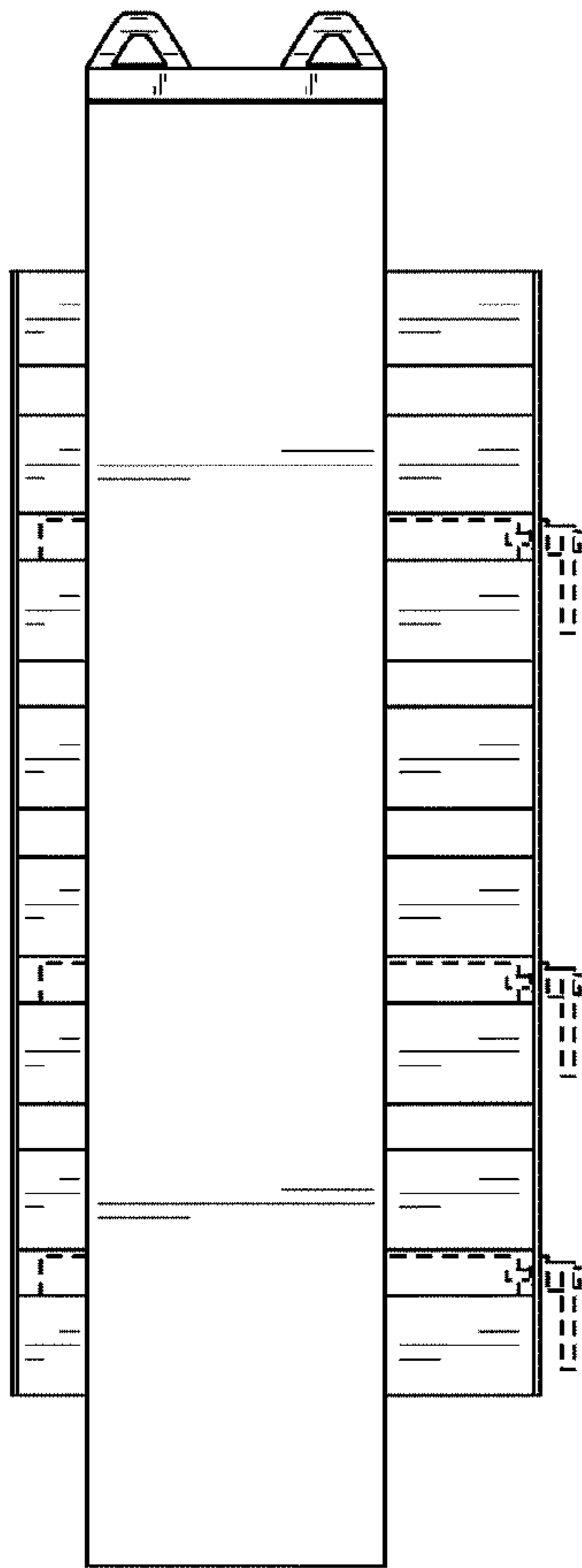


FIG. 4

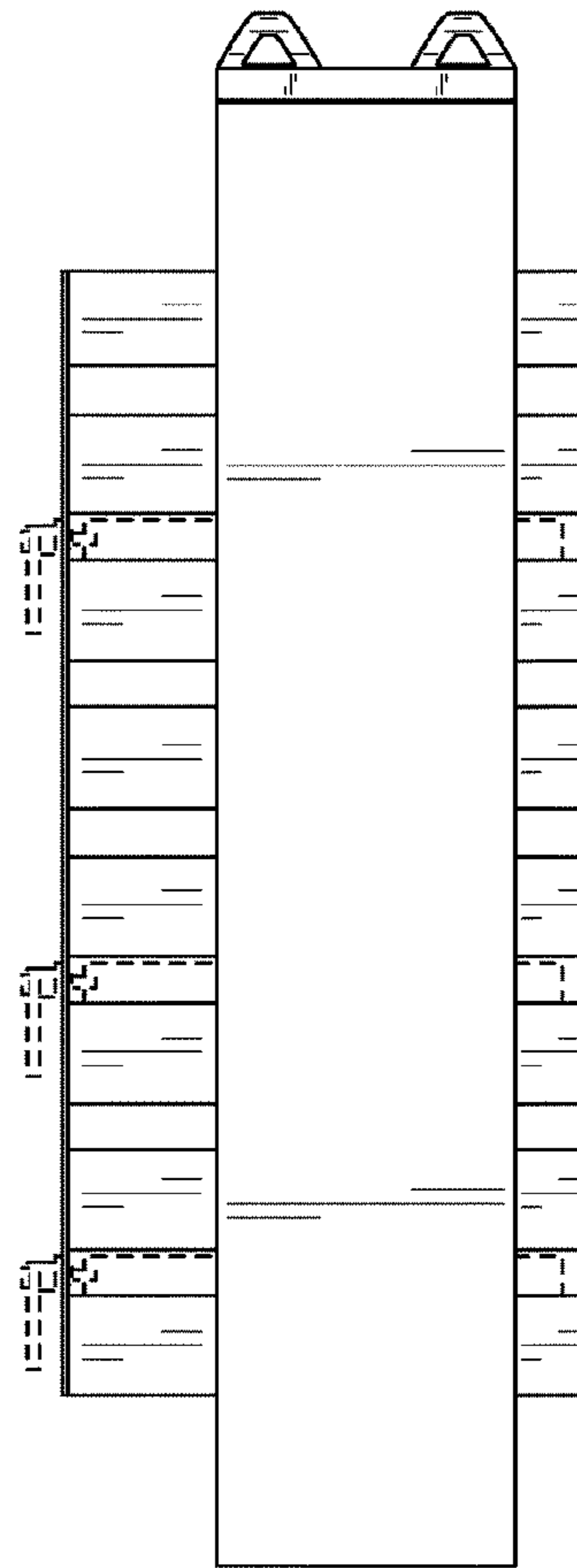


FIG. 5

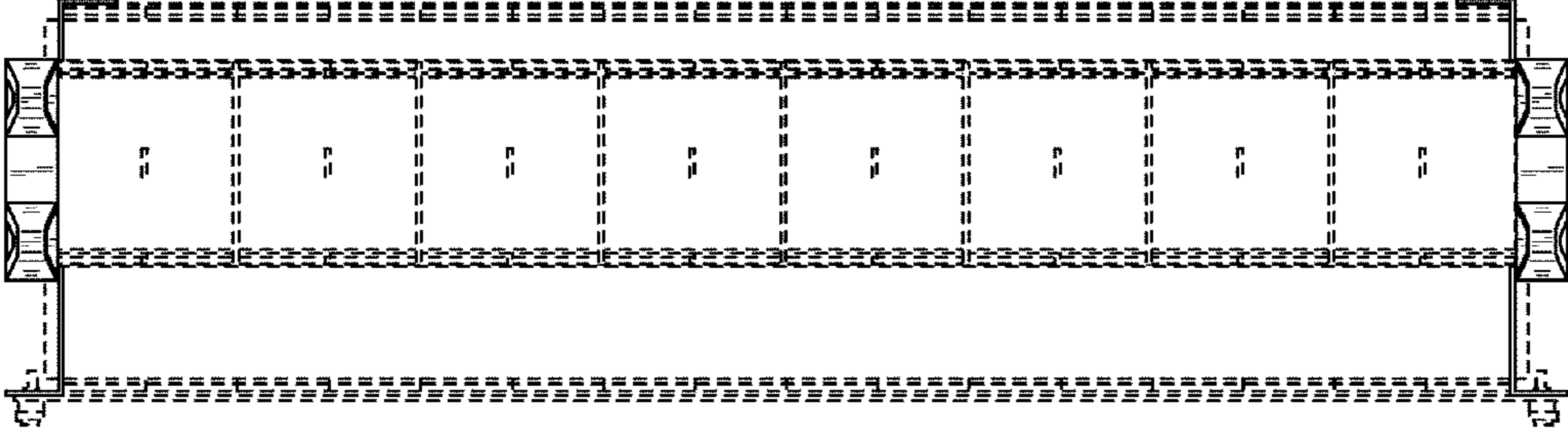


FIG. 6



FIG. 7