



US00D647729S

(12) **United States Design Patent**
Skalka

(10) **Patent No.:** **US D647,729 S**
(45) **Date of Patent:** **** Nov. 1, 2011**

- (54) **ACCESSORY ATTACHMENT FOR A BENCH**
 - (75) Inventor: **Gerald P. Skalka**, Potomac, MD (US)
 - (73) Assignee: **Victor Stanley, Inc.**, Dunkirk, MD (US)
 - (**) Term: **14 Years**
 - (21) Appl. No.: **29/355,077**
 - (22) Filed: **Feb. 2, 2010**
 - (51) **LOC (9) Cl.** **06-01**
 - (52) **U.S. Cl.** **D6/491**
 - (58) **Field of Classification Search** D6/334,
D6/335, 337, 349, 353, 380, 381, 500-502,
D6/491; 5/12.1, 12.2; 297/14, 43, 44, 118,
297/140, 245, 300.1, 311, 353, 354.1, 445.1,
297/446.1, 446.2, 447.4, 465, 900, DIG. 2,
297/DIG. 7
- See application file for complete search history.

(56) **References Cited**

U.S. PATENT DOCUMENTS

4,880,192	A *	11/1989	Vom Braucke et al.	248/110
4,884,702	A *	12/1989	Rekow	211/90.02
6,029,832	A *	2/2000	Bastian	211/189
6,364,141	B1 *	4/2002	Ehrgott	211/189
D485,741	S *	1/2004	Worrall	D8/349
6,675,980	B2 *	1/2004	Ehrgott	211/189

* cited by examiner

Primary Examiner — Sandra Snapp

(74) *Attorney, Agent, or Firm* — Jacobson Holman PLLC

(57) **CLAIM**

The ornamental design for an accessory attachment for a bench, as shown and described.

DESCRIPTION

FIG. 1 is a top isometric view of a first embodiment of an accessory attachment for a bench showing my new design, on a reduced scale.

FIG. 2 is a top isometric view of the accessory attachment of FIG. 1.

FIG. 3 is a top plan view of the accessory attachment of FIG. 1.

FIG. 4 is a right side elevational view of the accessory attachment of FIG. 1.

FIG. 5 is a front elevational view of the accessory attachment of FIG. 1.

FIG. 6 is a bottom isometric view of the accessory attachment of FIG. 1.

FIG. 7 is a rear elevational view of the accessory attachment of FIG. 1.

FIG. 8 is a left side elevational view of the accessory attachment of FIG. 1.

FIG. 9 is a bottom plan view of the accessory attachment of FIG. 1.

FIG. 10 is a top isometric view of a second embodiment of an accessory attachment for a bench showing my new design, on a reduced scale.

FIG. 11 is a top isometric view of the accessory attachment of FIG. 10.

FIG. 12 is a top plan view of the accessory attachment of FIG. 10.

FIG. 13 is a right side elevational view of the accessory attachment of FIG. 10.

FIG. 14 is a front elevational view of the accessory attachment of FIG. 10.

FIG. 15 is a bottom isometric view of the accessory attachment of FIG. 10.

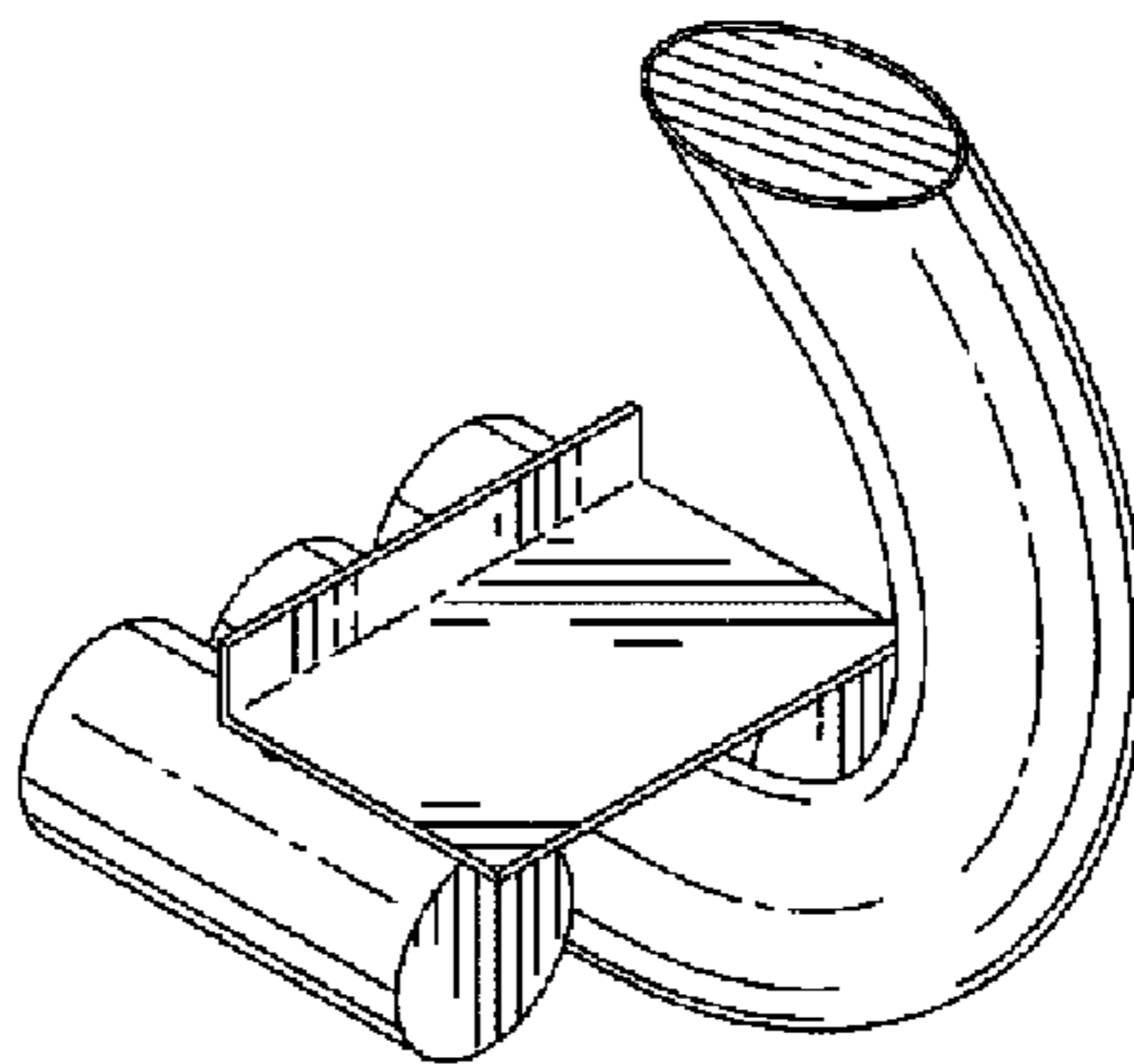
FIG. 16 is a rear elevational view of the accessory attachment of FIG. 10.

FIG. 17 is a left side elevational view of the accessory attachment of FIG. 10; and,

FIG. 18 is a bottom plan view of the accessory attachment of FIG. 10.

The broken line showing of environment in FIGS. 1, 4, 10, and 13 is for illustrative purposes only and forms no part of the claimed design.

1 Claim, 4 Drawing Sheets



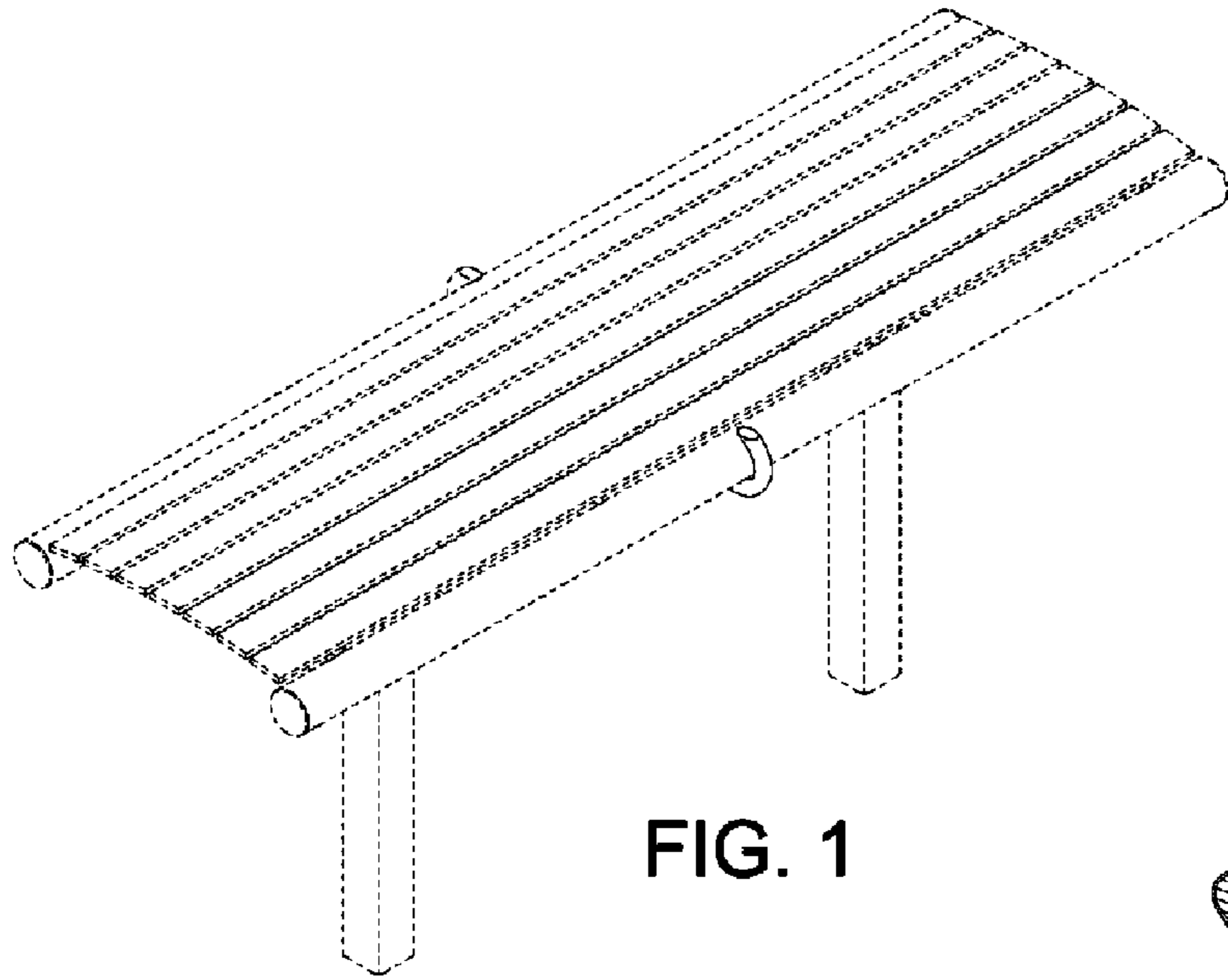


FIG. 1

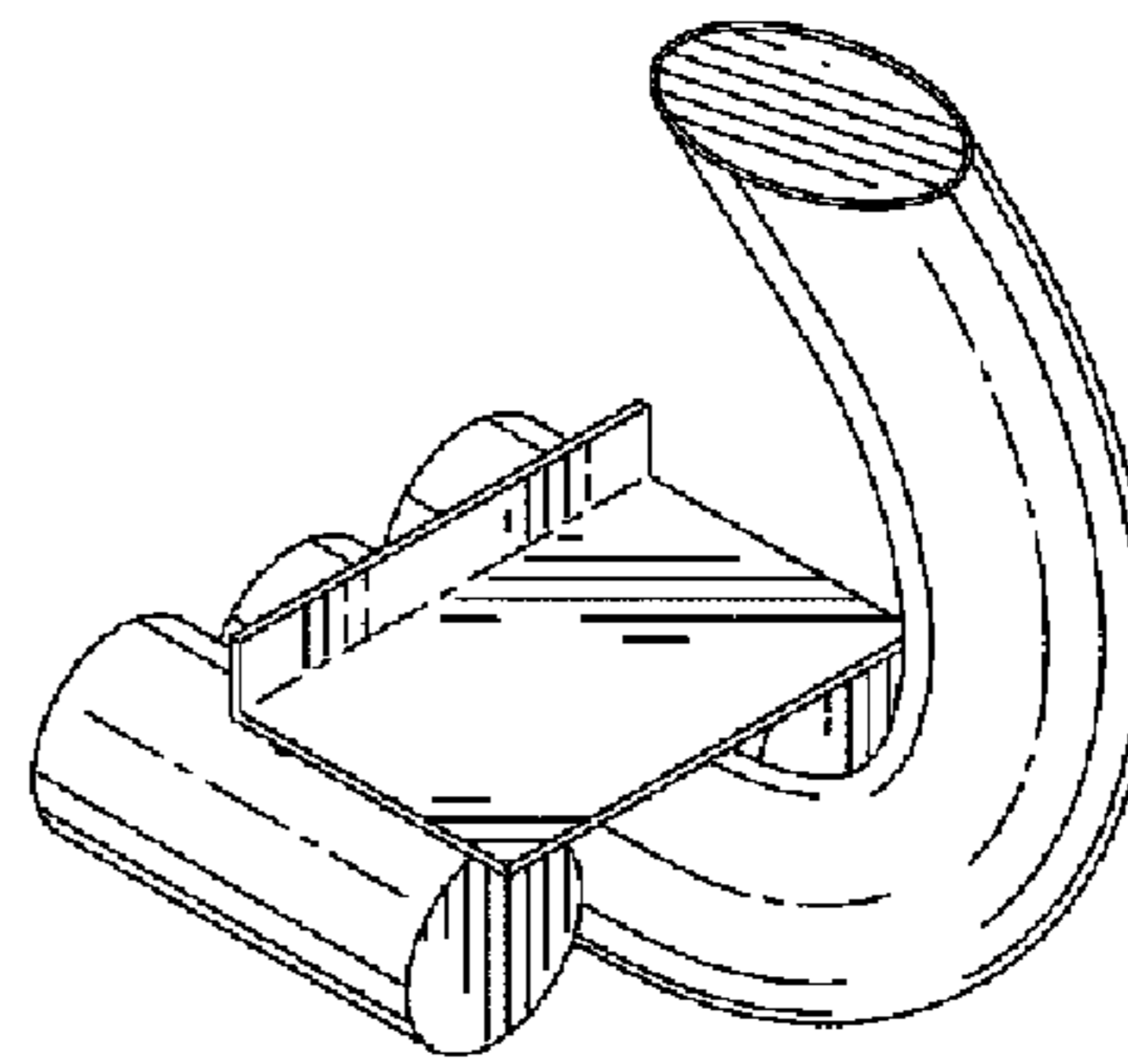


FIG. 2

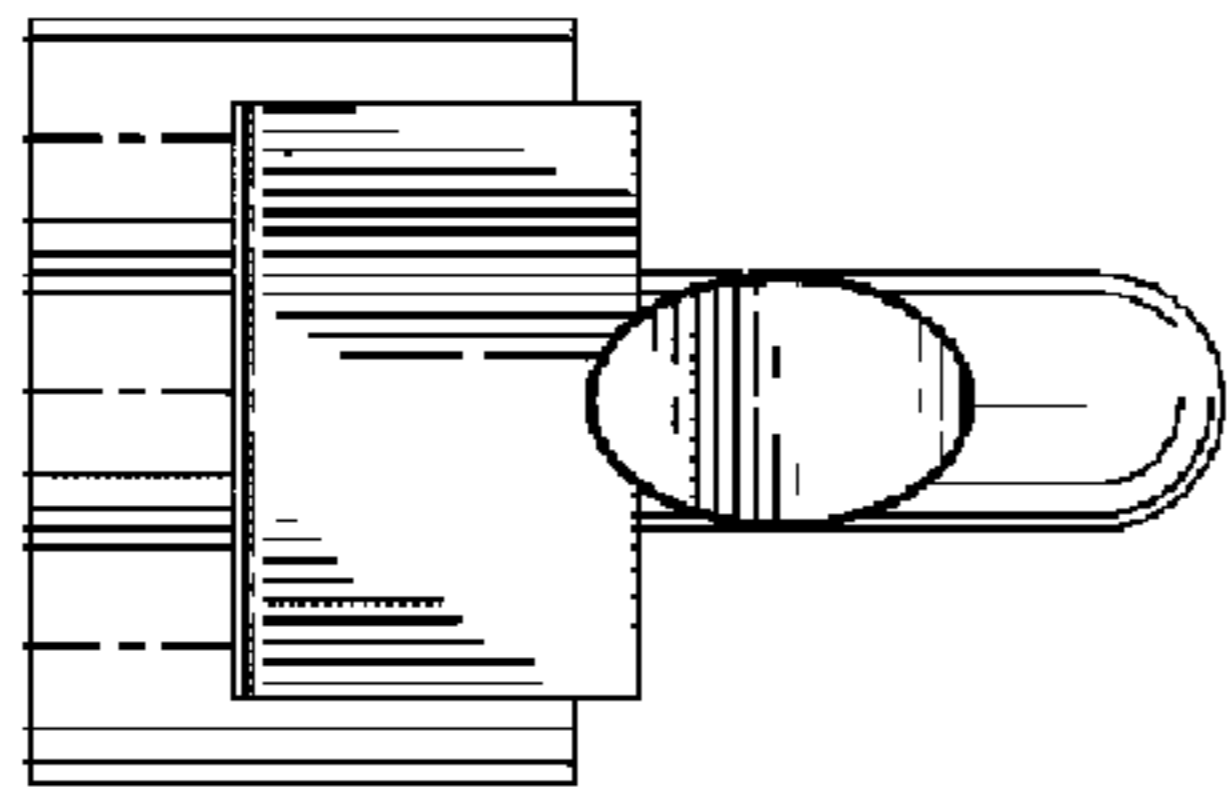


FIG. 3

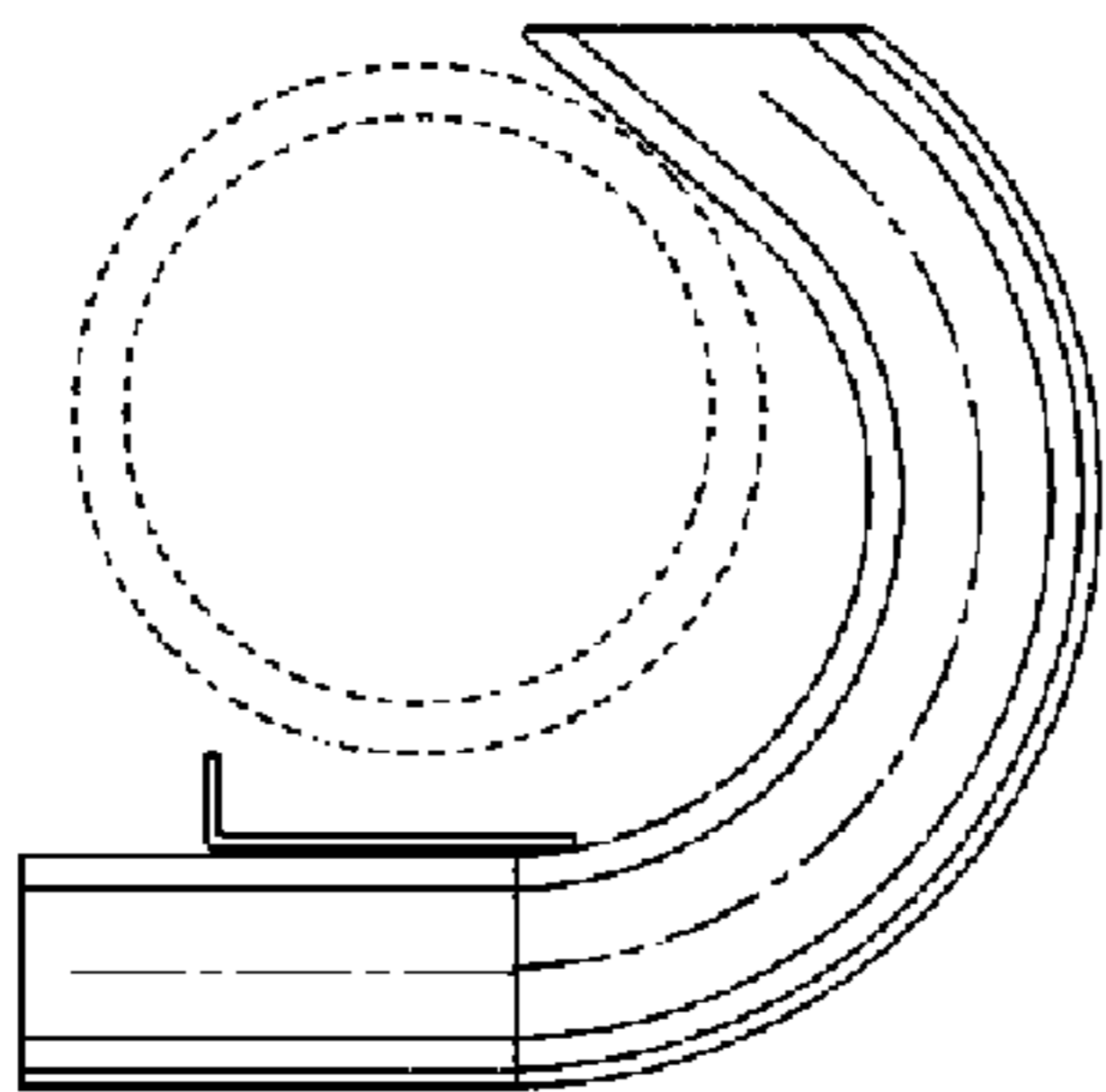


FIG. 4

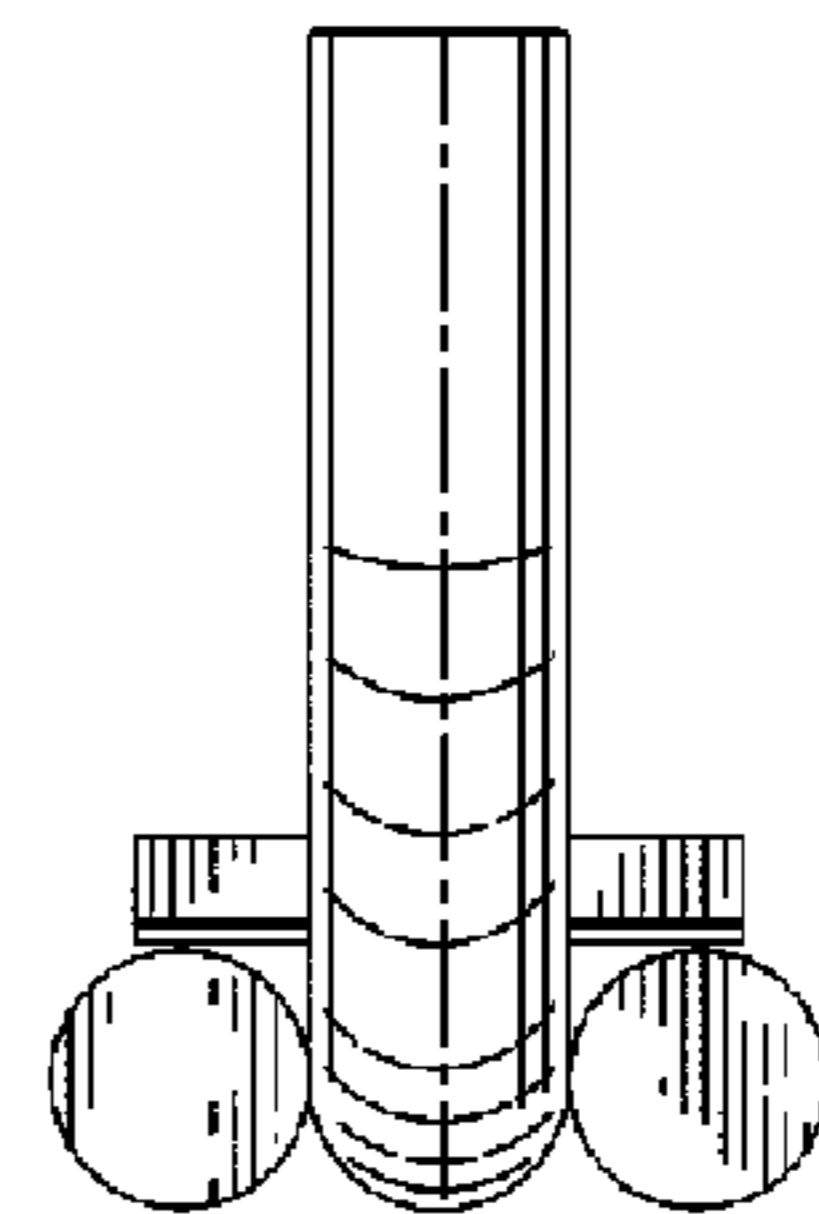


FIG. 5

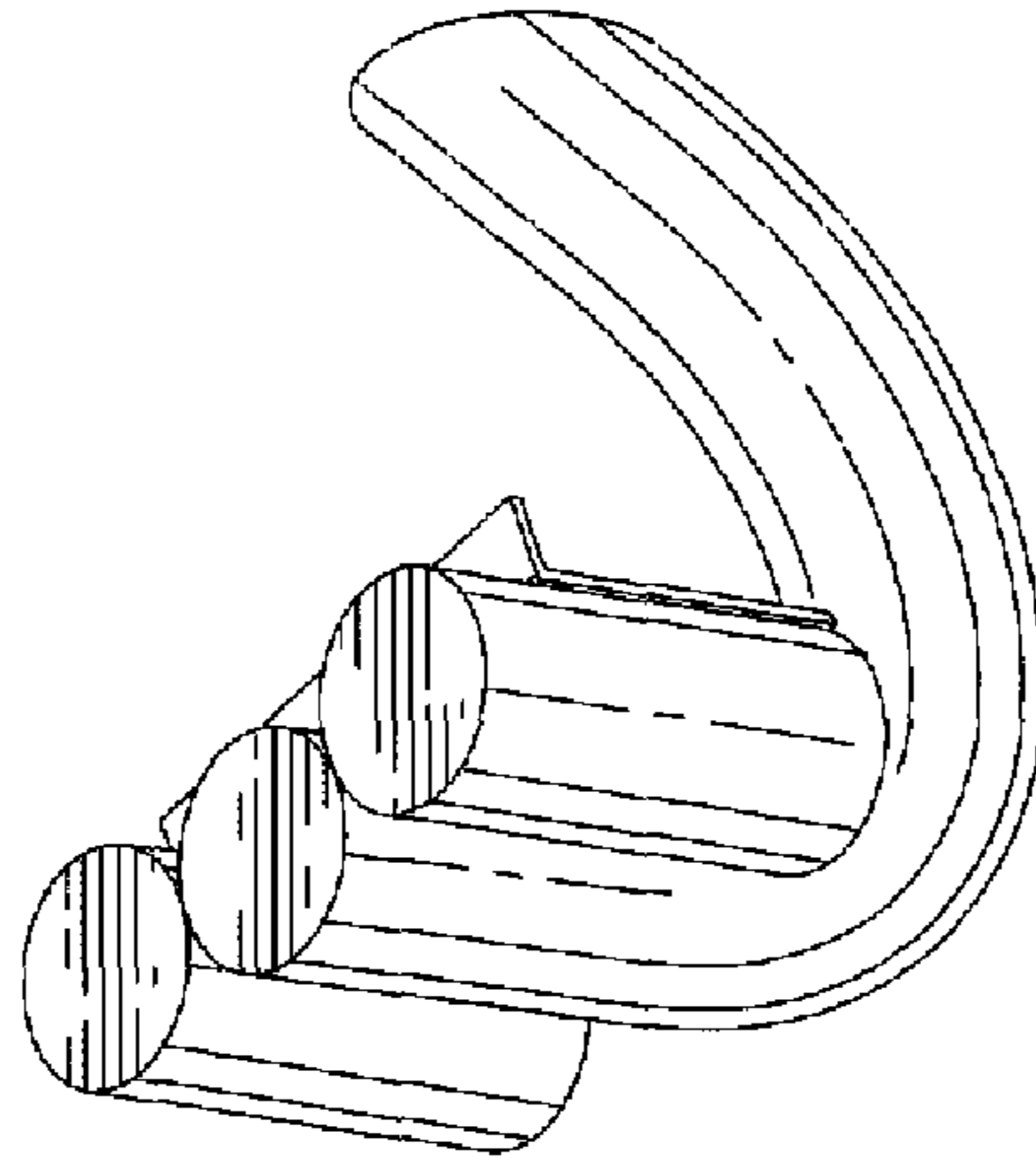


FIG. 6

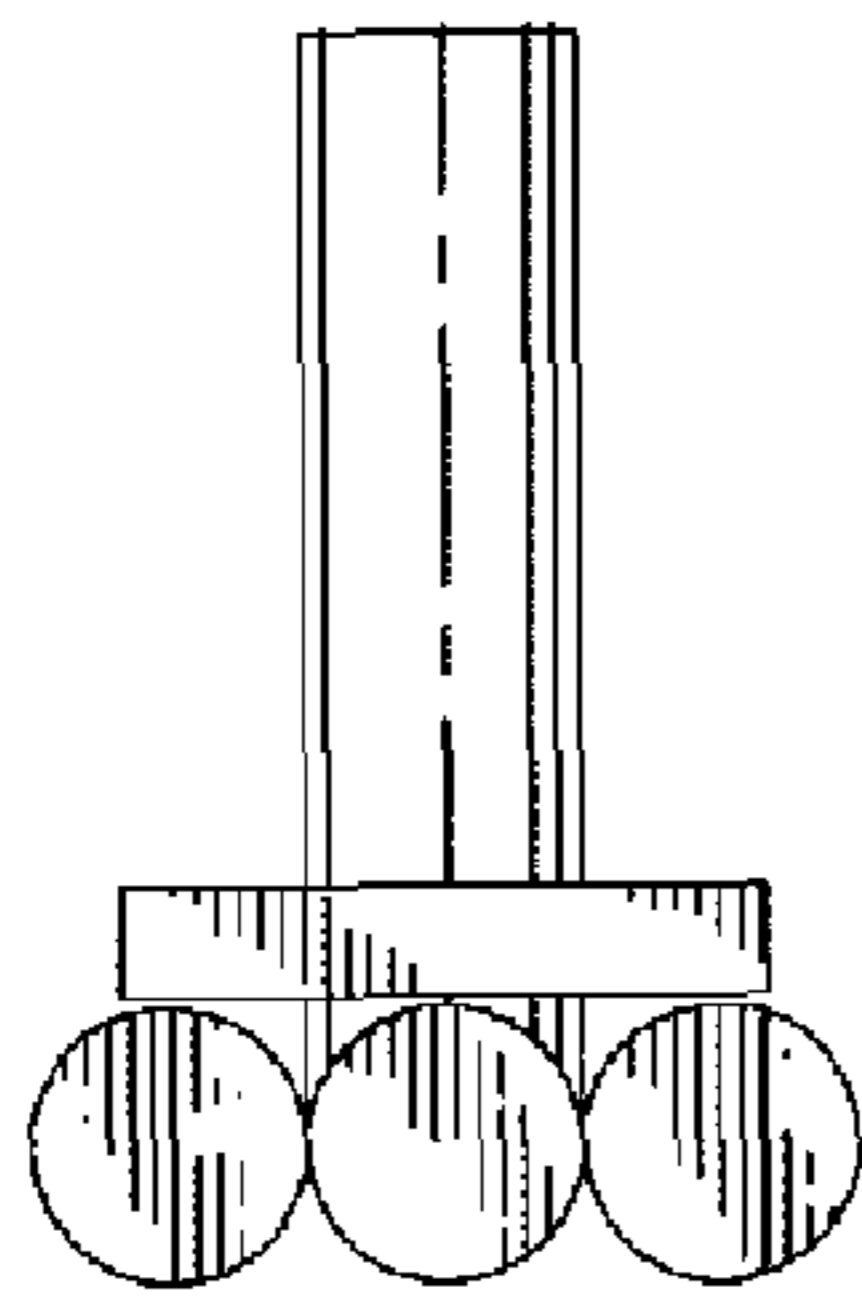


FIG. 7

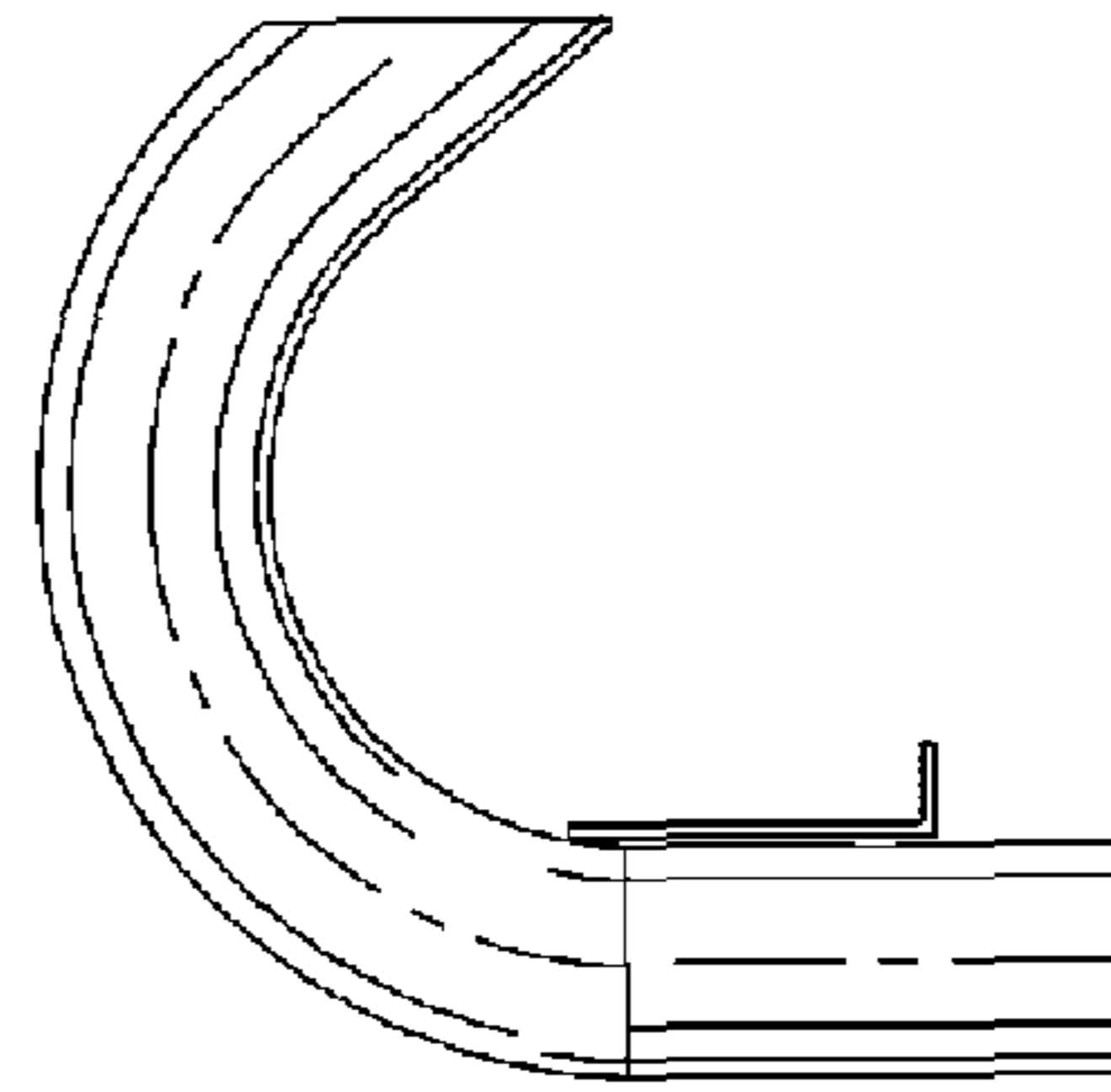


FIG. 8

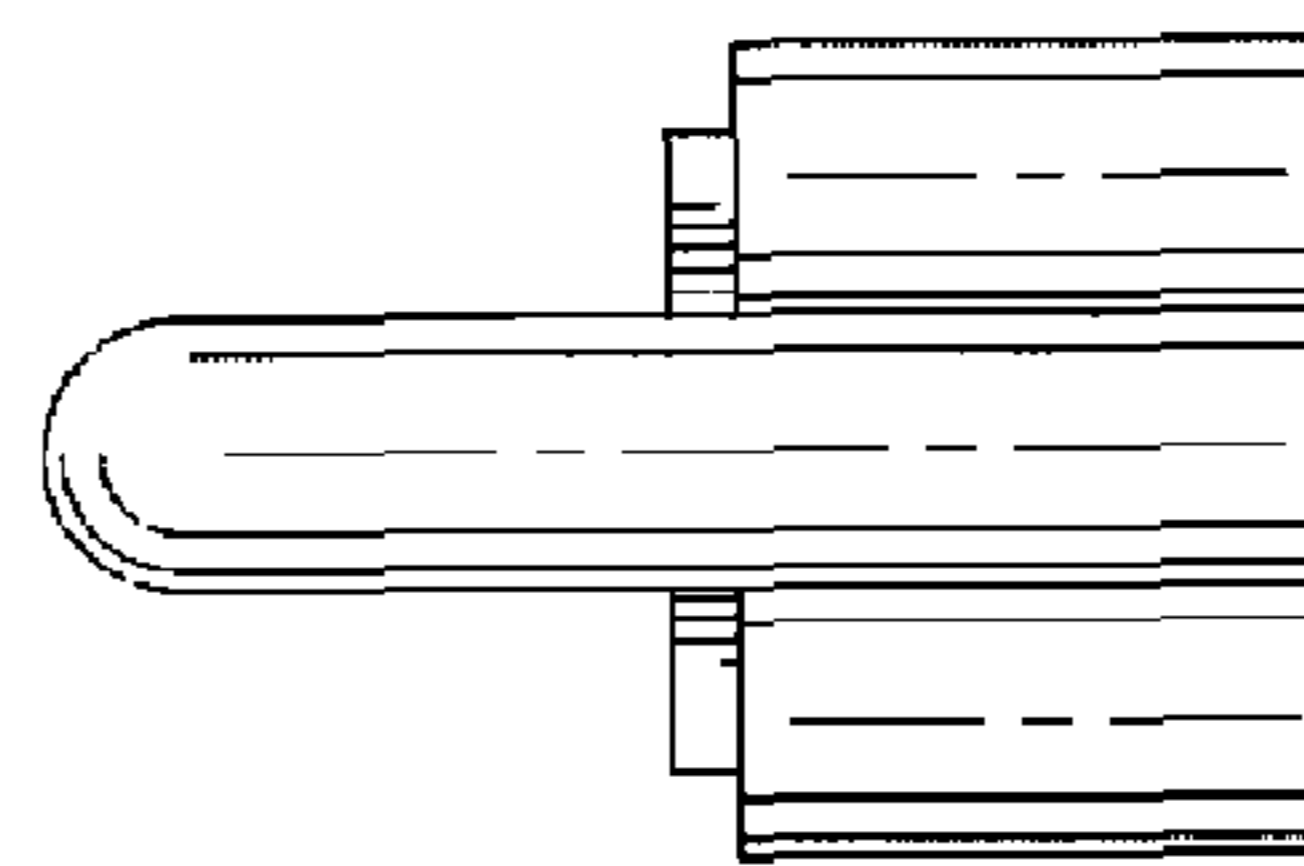


FIG. 9

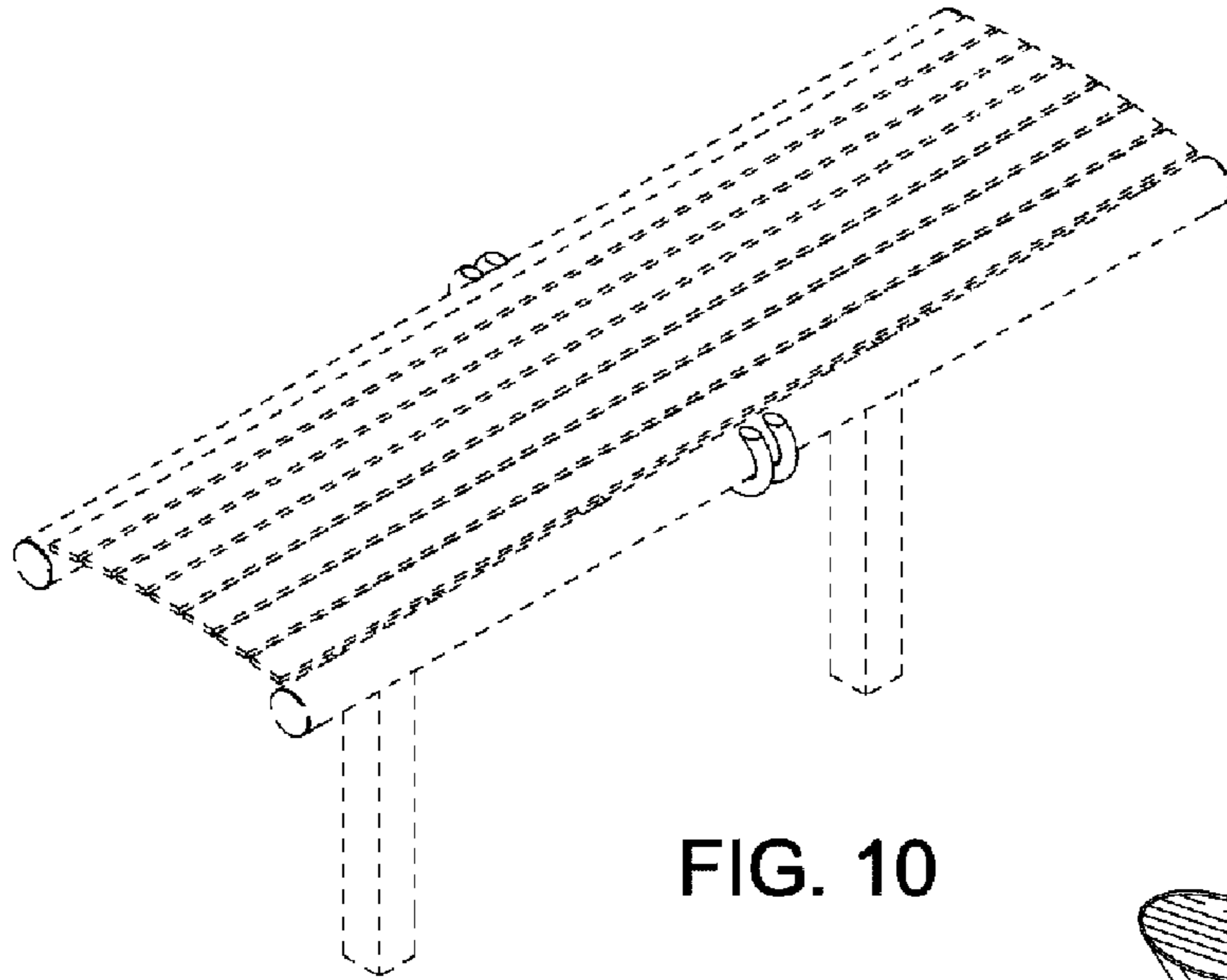


FIG. 10

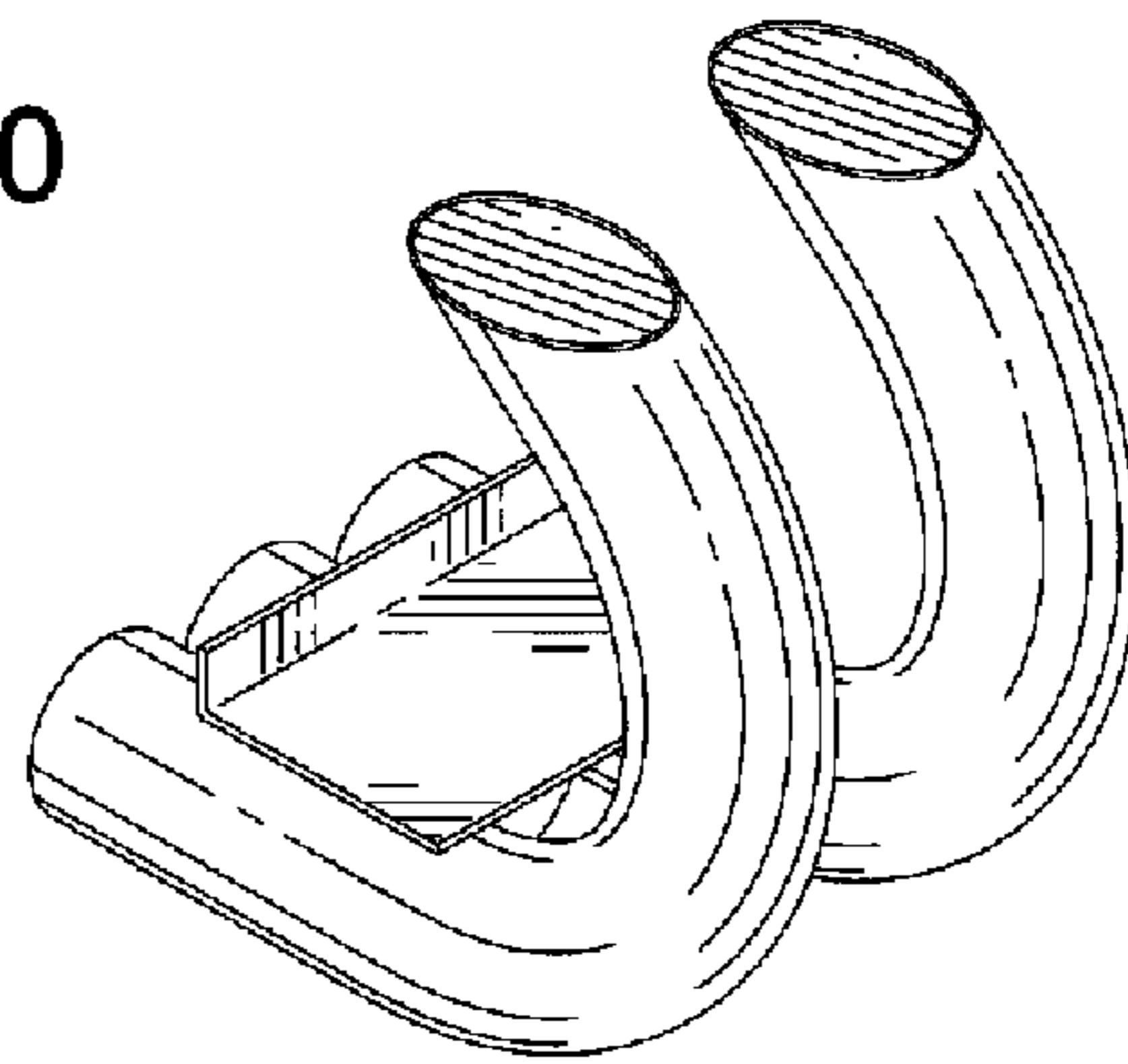


FIG. 11

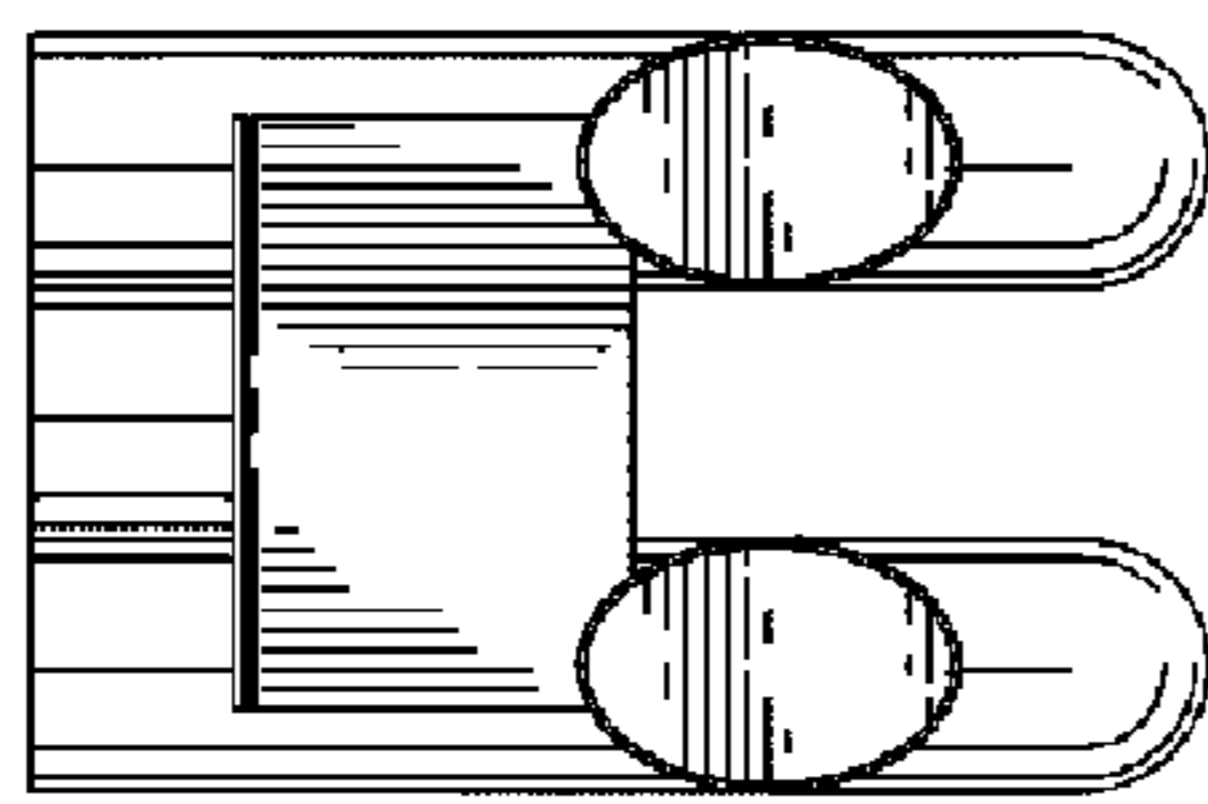


FIG. 12

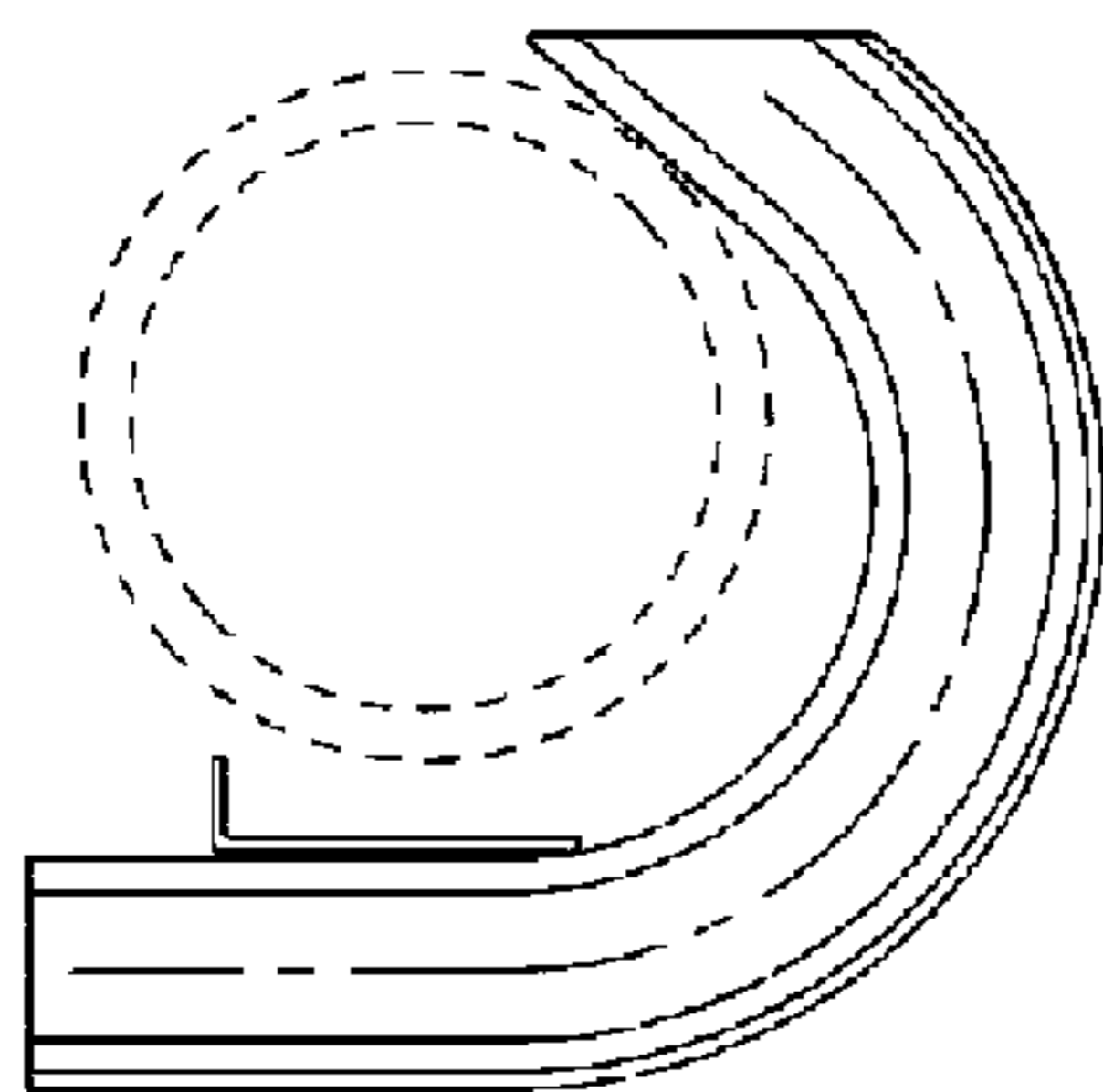


FIG. 13

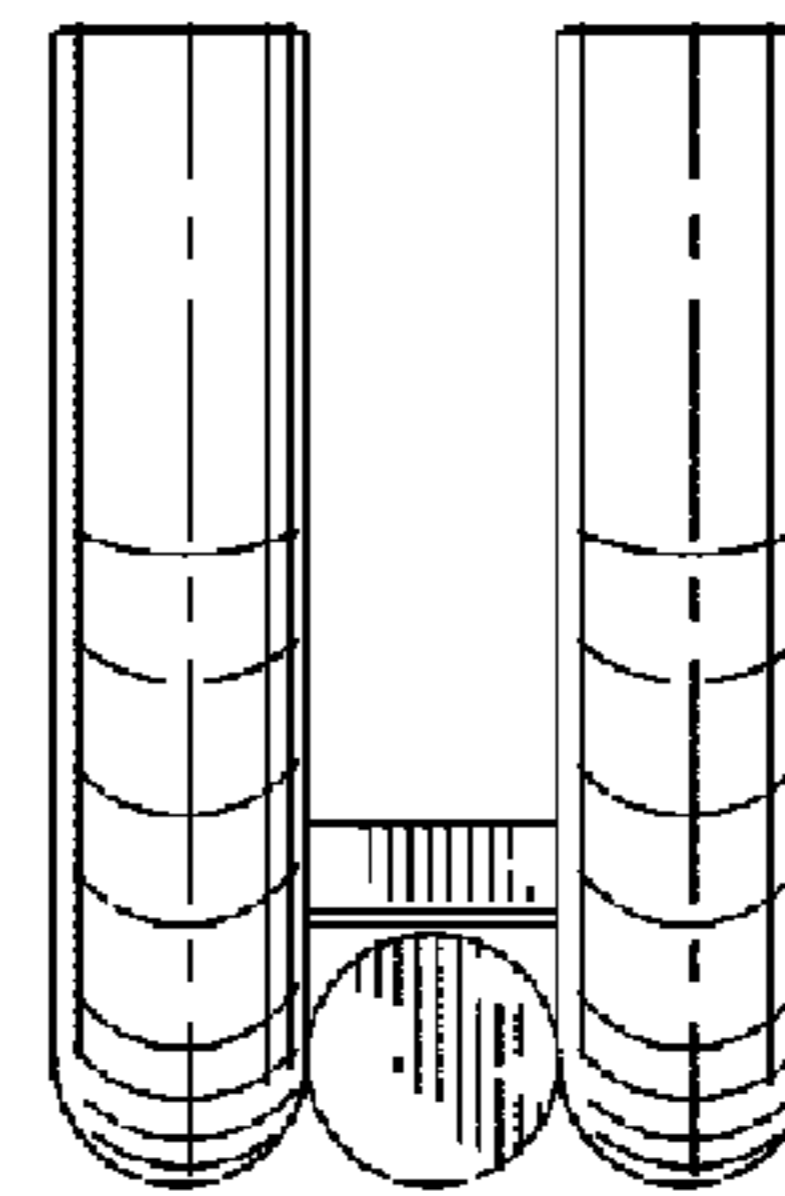


FIG. 14

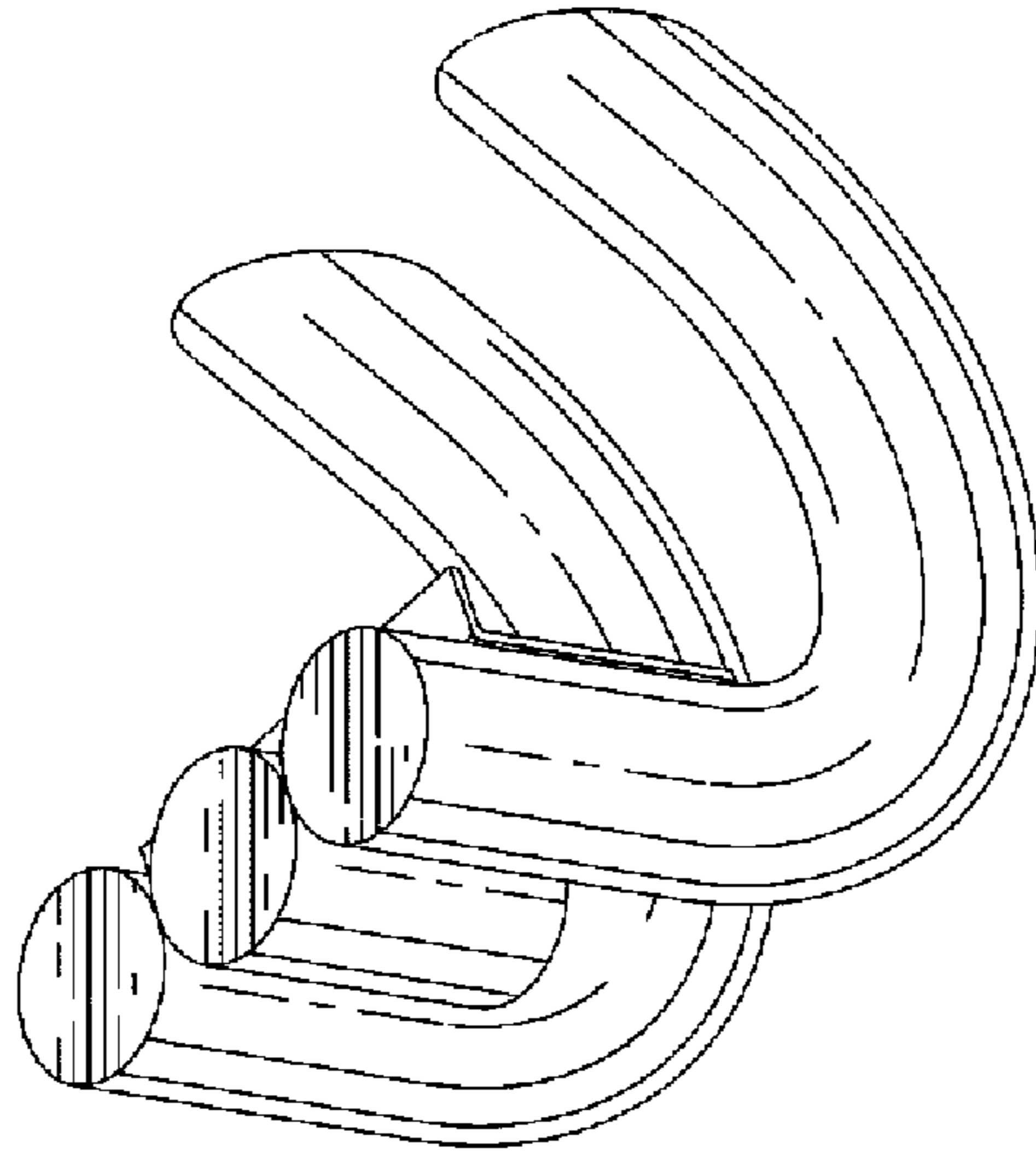


FIG. 15

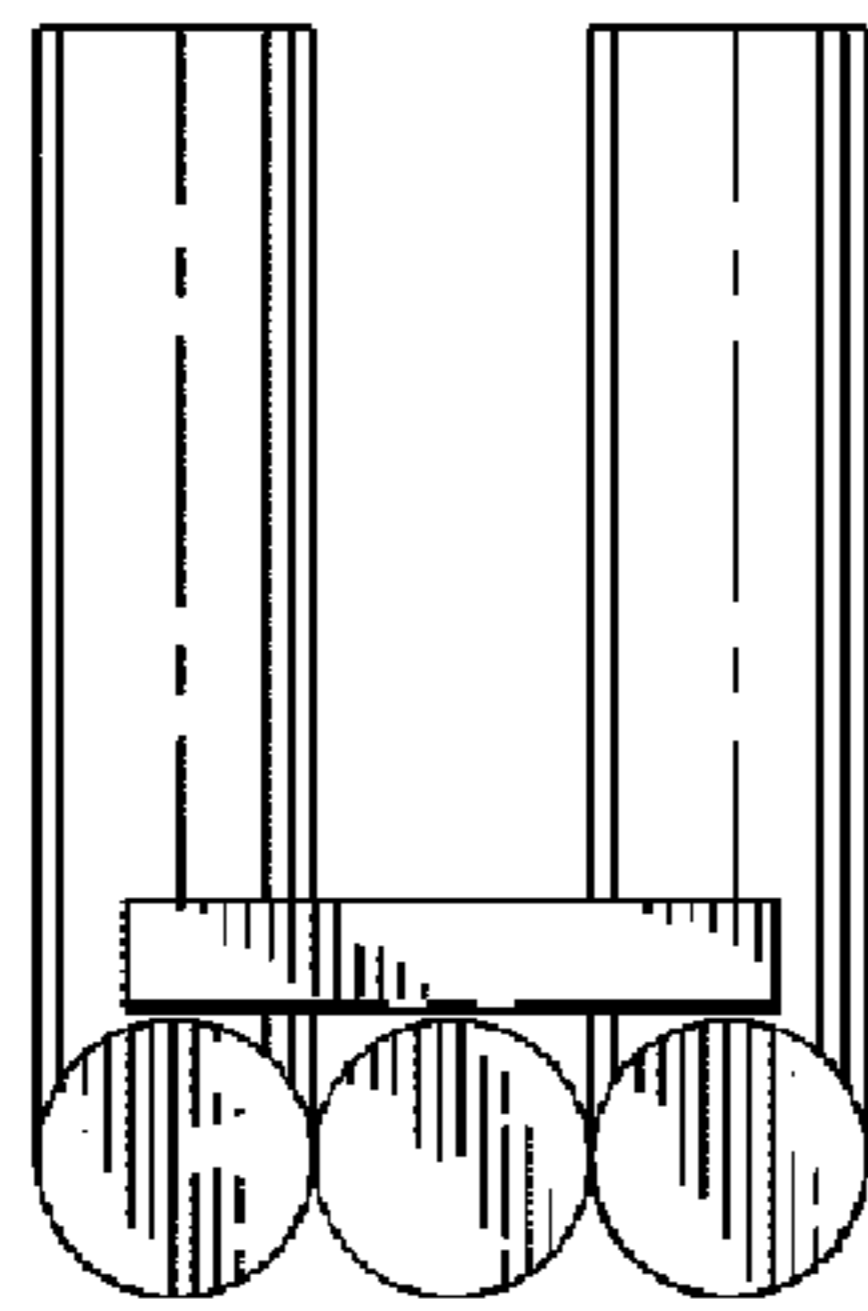


FIG. 16

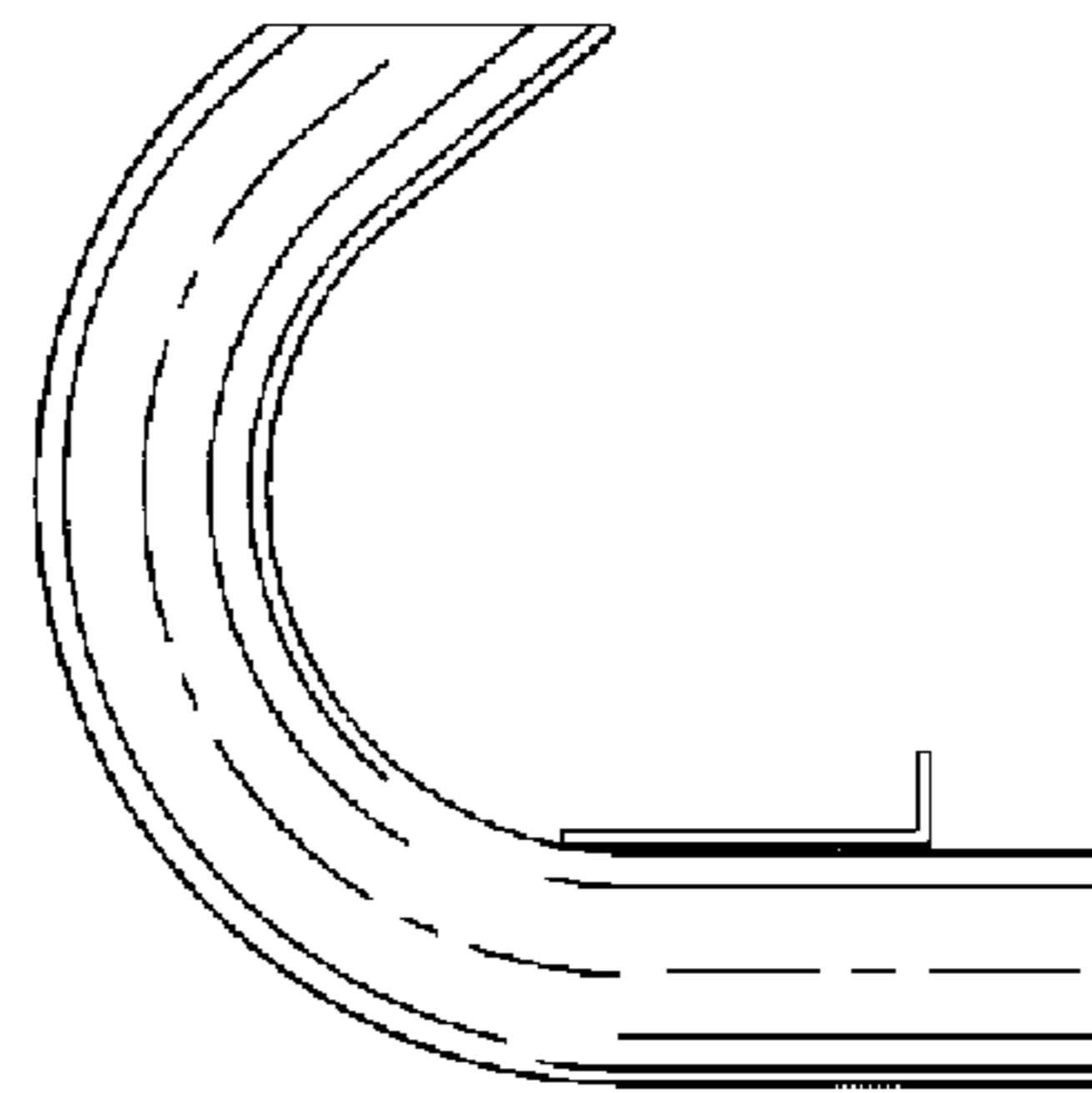


FIG. 17

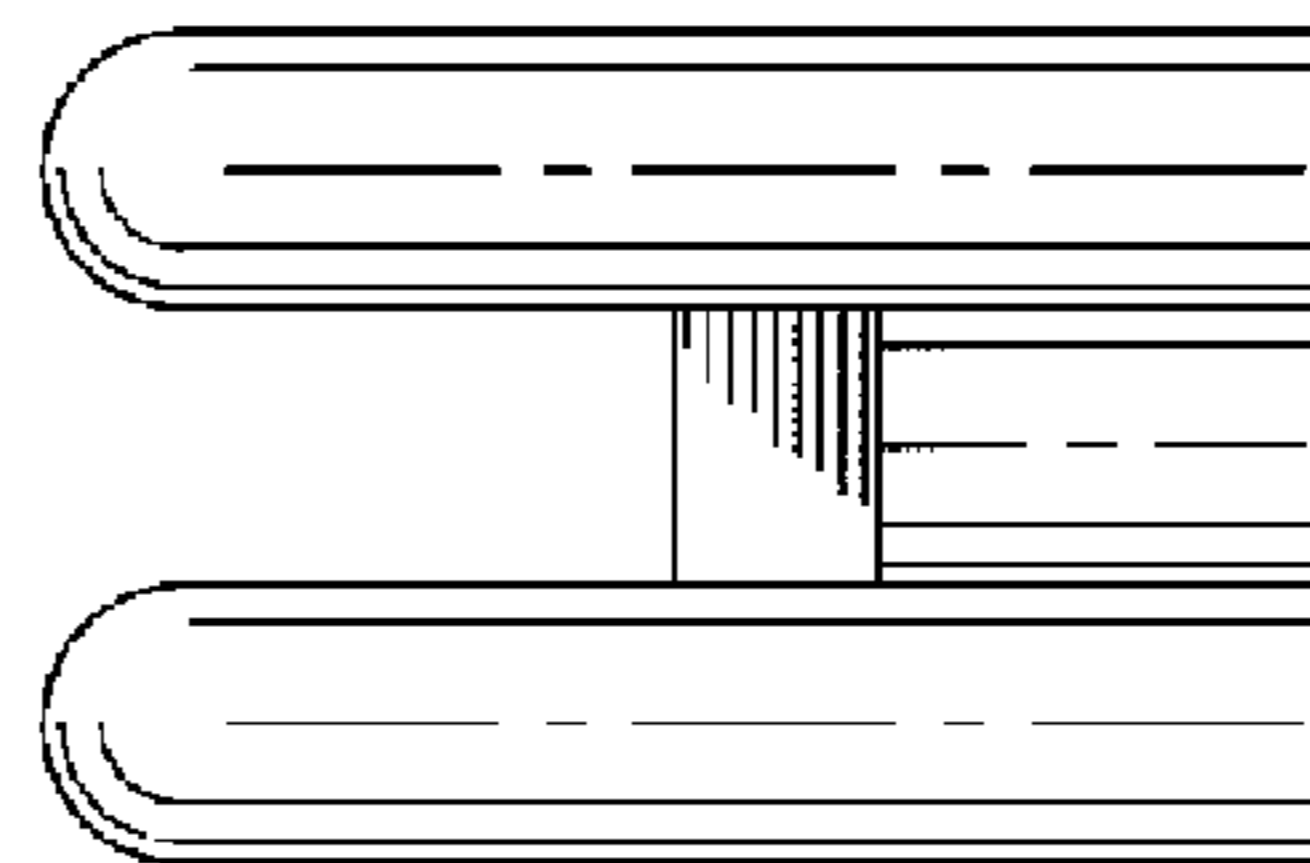


FIG. 18