



US00D647724S

(12) **United States Design Patent**
Hernandez et al.

(10) **Patent No.:** **US D647,724 S**
(45) **Date of Patent:** **** Nov. 1, 2011**

(54) **MANICURIST TABLE WITH VACUUM WATER FILTER**

(76) Inventors: **Omar Geronimo Hernandez**, Hialeah Gardens, FL (US); **Angel Reyes**, Hialeah Gardens, FL (US)

(**) Term: **14 Years**

(21) Appl. No.: **29/382,553**

(22) Filed: **Jan. 5, 2011**

(51) **LOC (9) Cl.** **06-03**

(52) **U.S. Cl.** **D6/422**

(58) **Field of Classification Search** D6/423,
D6/425-428, 429-431, 481, 397, 486, 480;
312/140.1, 140.2, 140.3, 194, 195, 238, 239,
312/236; D28/9; 108/50.01, 50.2, 24; 132/73.5
See application file for complete search history.

(56) **References Cited**

U.S. PATENT DOCUMENTS

D168,027	S	*	10/1952	Garrett	D6/427
D241,898	S	*	10/1976	Moll	D6/422
4,280,519	A		7/1981	Chapman		
4,329,002	A	*	5/1982	Cowen et al.	312/196
D272,496	S	*	2/1984	Kemp et al.	D6/427

D325,431	S		4/1992	Novobilski		
5,112,373	A		5/1992	Pham		
D367,471	S	*	2/1996	Brown	D14/304
5,787,903	A		8/1998	Blackshear		
5,795,219	A		8/1998	Bloom		
5,816,906	A		10/1998	Mai		
6,698,360	B2		3/2004	Park		
6,802,266	B2		10/2004	Cheng		
2010/0200010	A1	*	8/2010	Ton	132/73.5

* cited by examiner

Primary Examiner — Janice Seeger

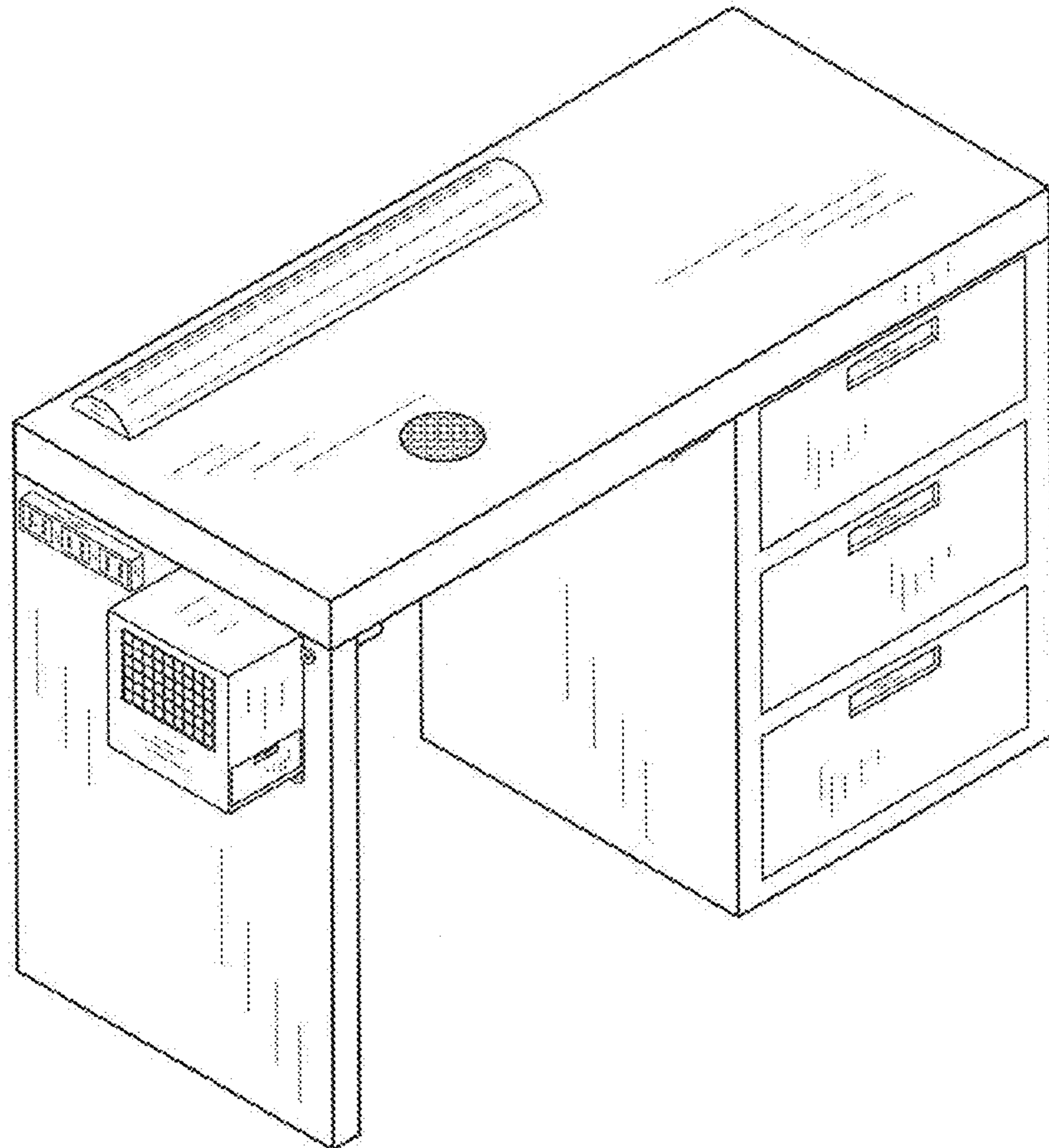
(57) **CLAIM**

The ornamental design for a manicurist table with vacuum water filter, as shown and described.

DESCRIPTION

FIG. 1 is a perspective view of a manicurist table with vacuum water filter showing my new design;
FIG. 2 is a front view thereof;
FIG. 3 is a back view thereof;
FIG. 4 is a side view thereof;
FIG. 5 is an opposite side view thereof;
FIG. 6 is a top view thereof; and,
FIG. 7 is bottom view thereof.

1 Claim, 6 Drawing Sheets



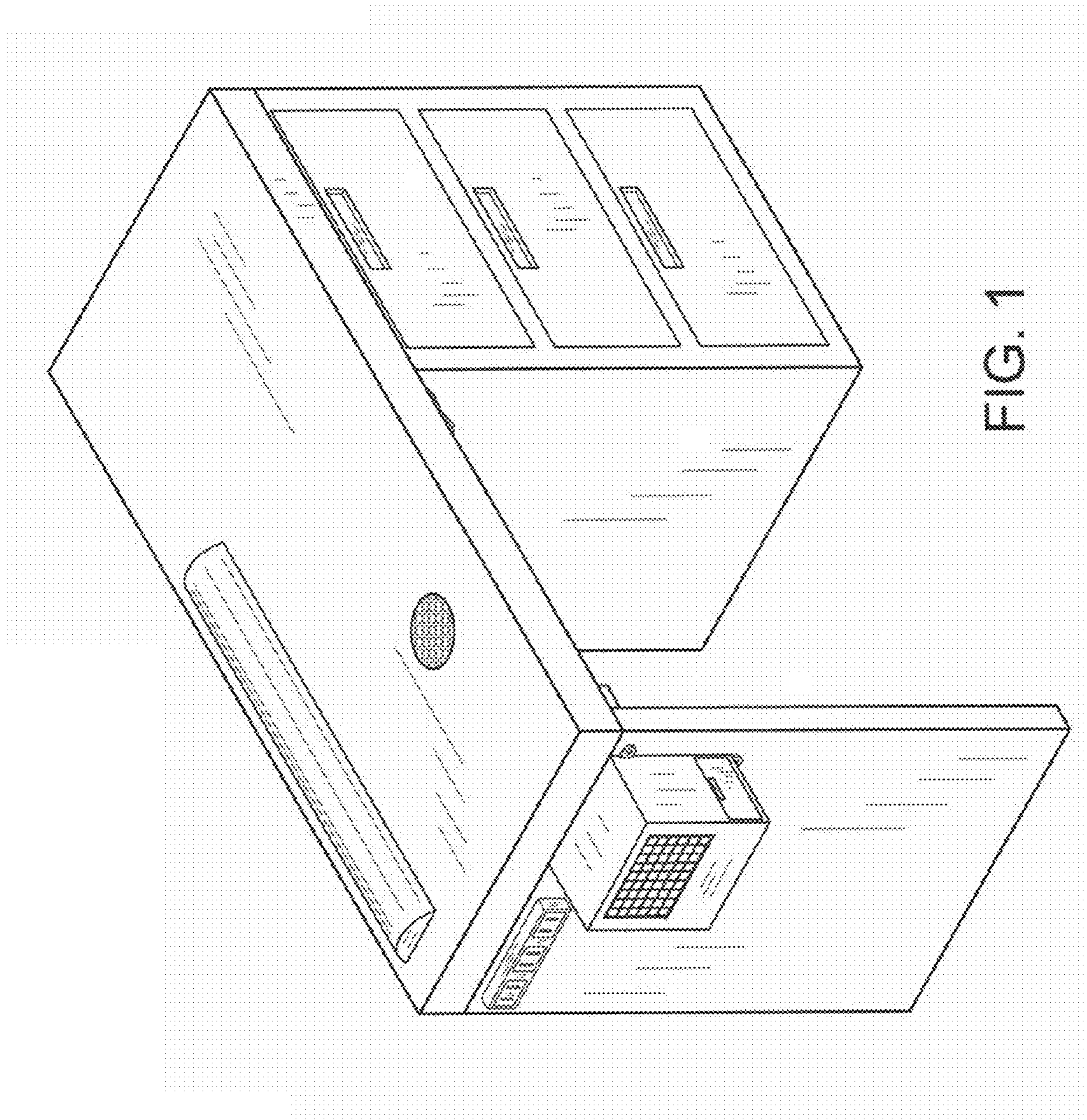


FIG. 1

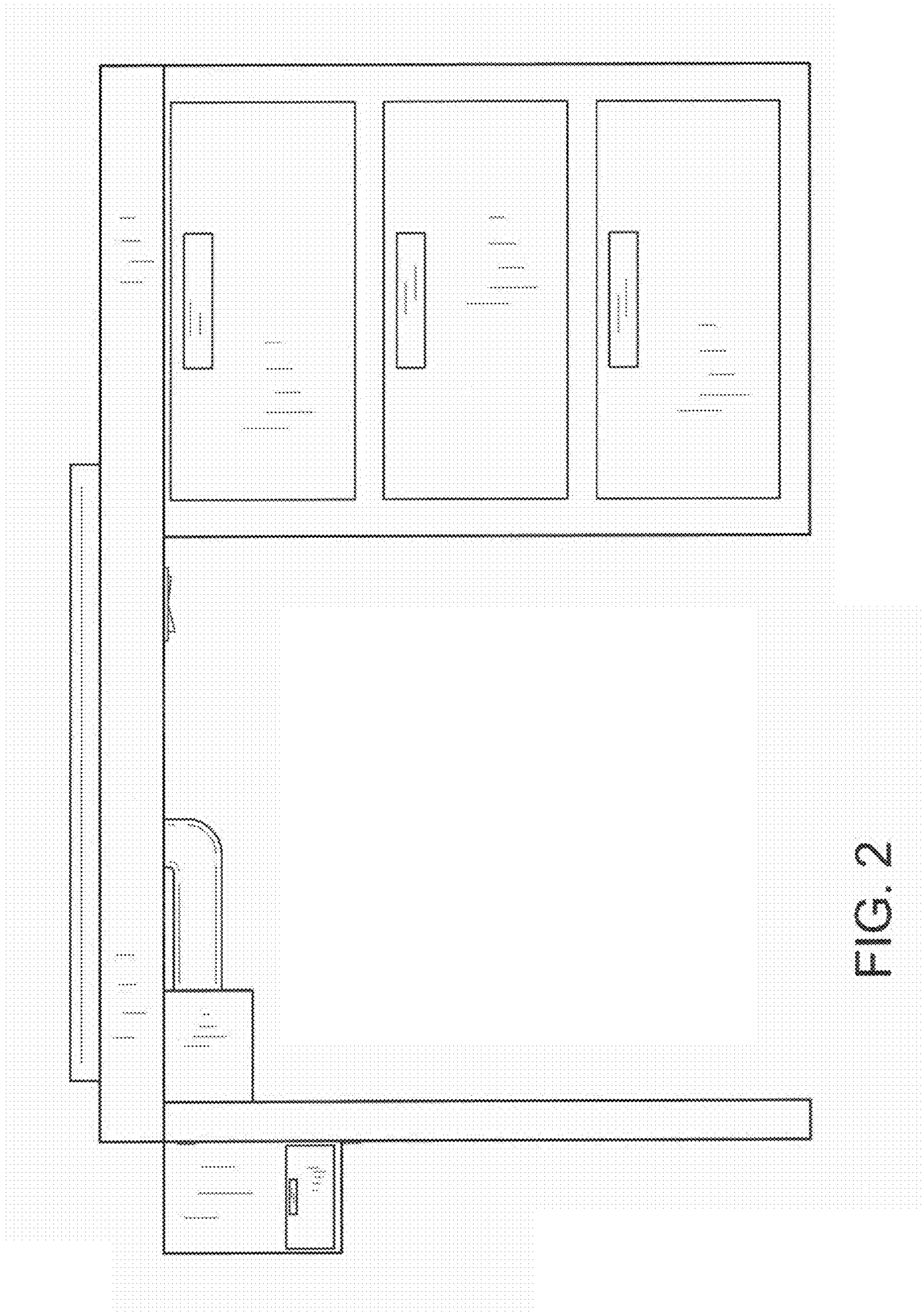
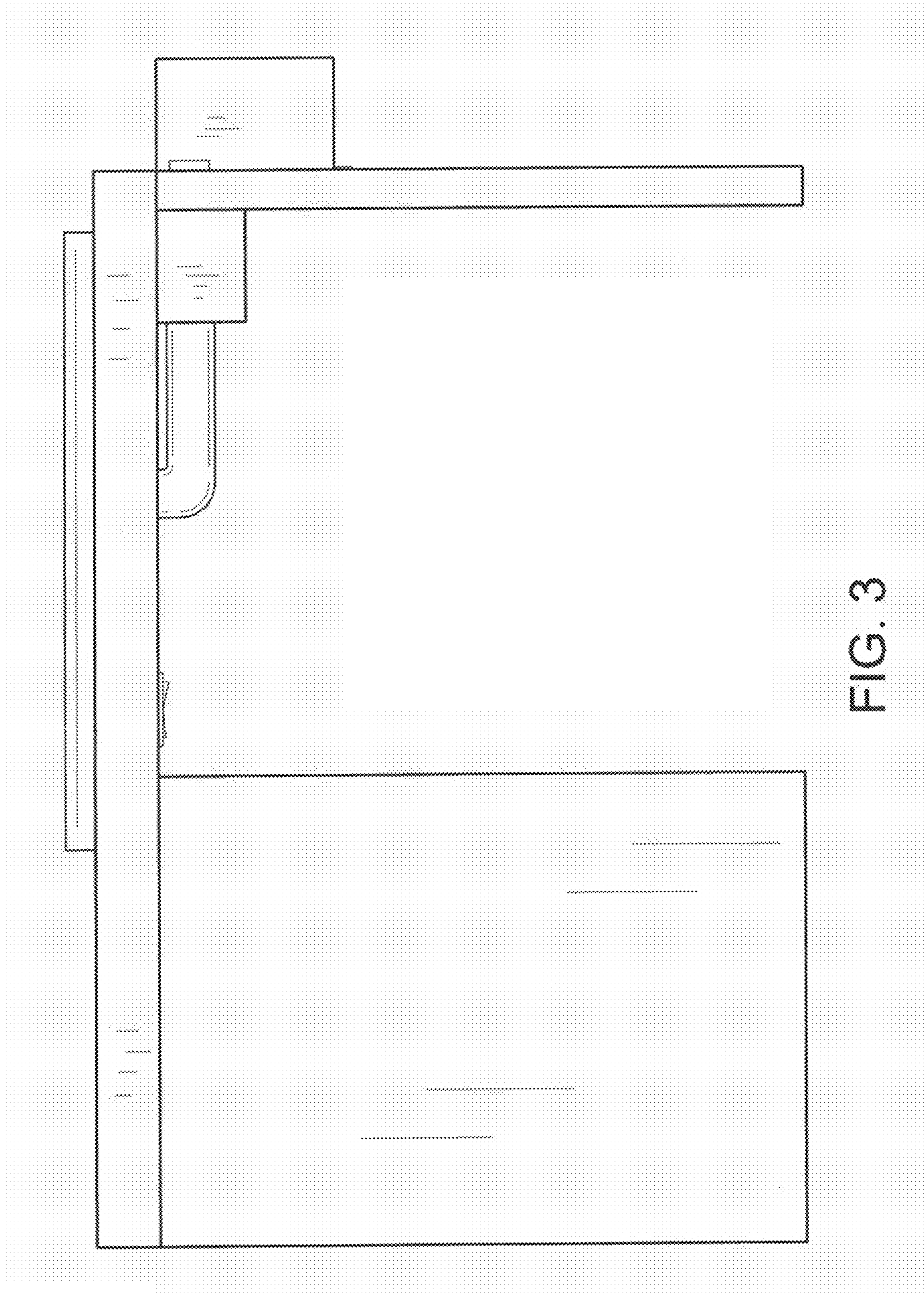


FIG. 2



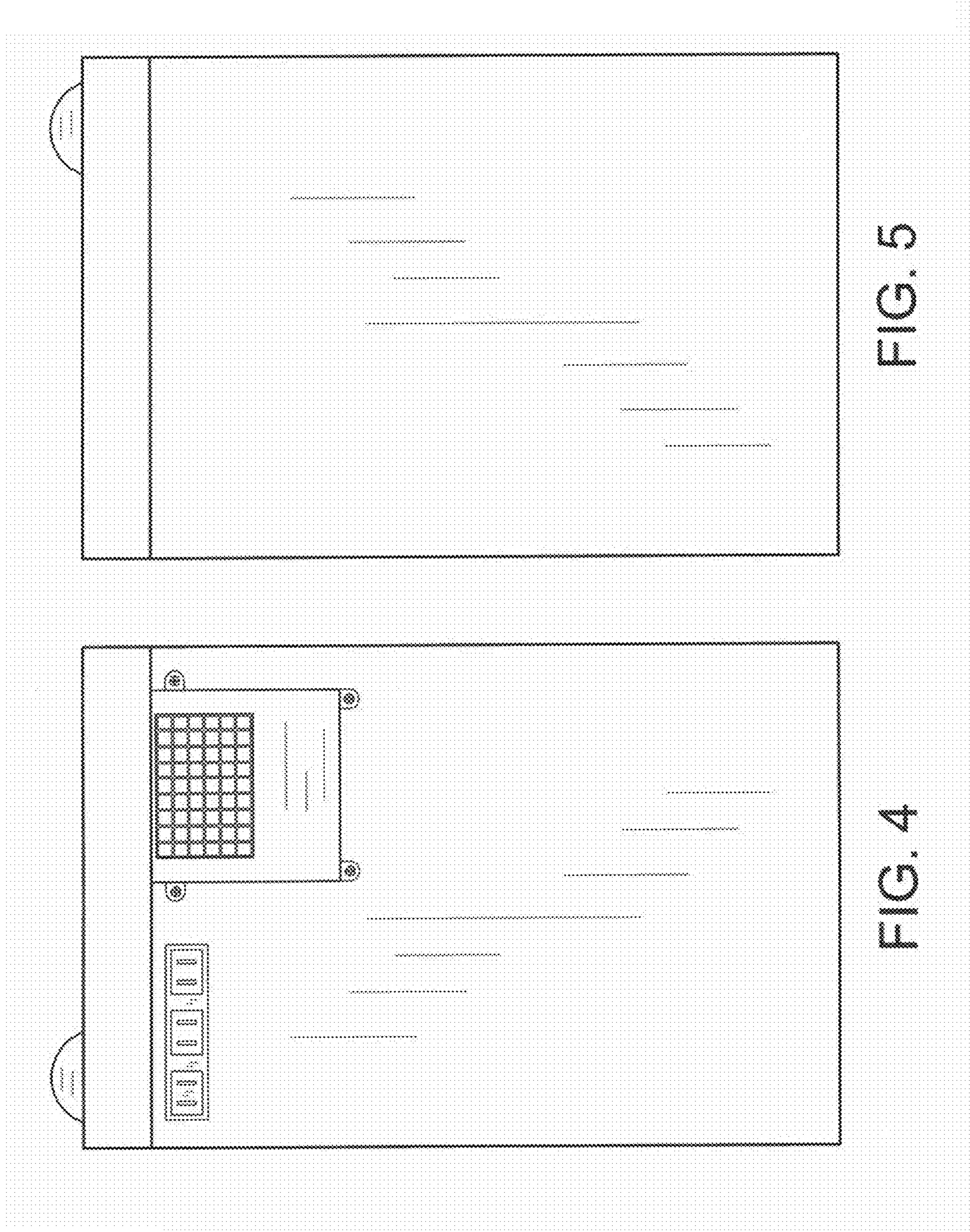


FIG. 5

FIG. 4

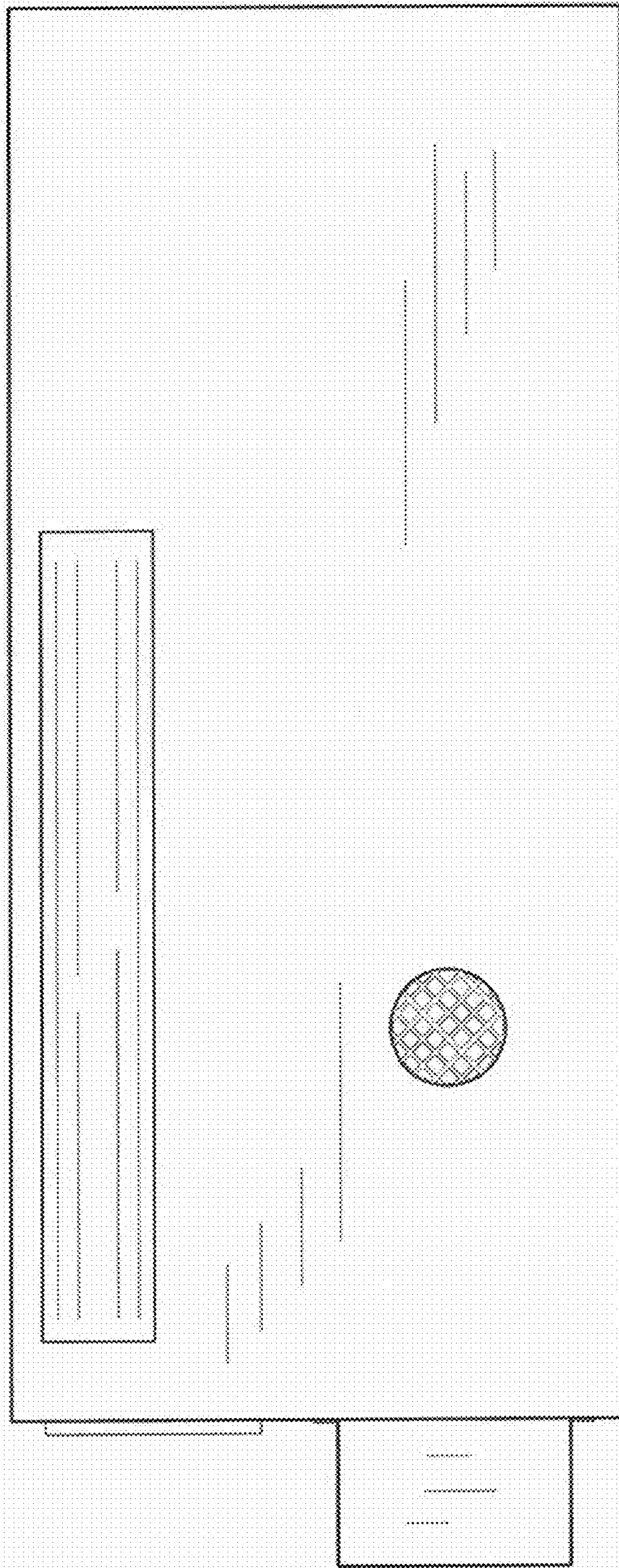


FIG. 6

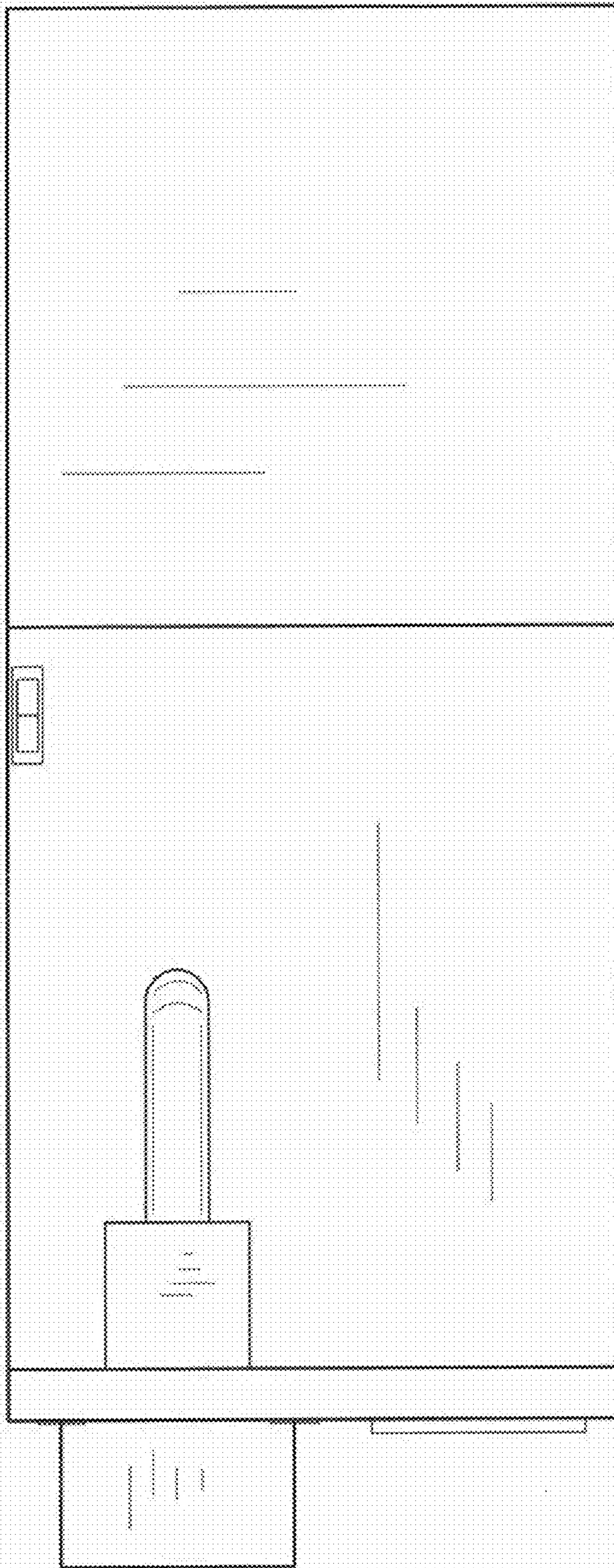


FIG. 7