



US00D647723S

(12) **United States Design Patent**
Ruggiero

(10) **Patent No.:** **US D647,723 S**

(45) **Date of Patent:** **** Nov. 1, 2011**

(54) **MOBILE WORKSTATION**

(76) Inventor: **Andrea Ruggiero**, New York, NY (US)

(**) Term: **14 Years**

(21) Appl. No.: **29/384,845**

(22) Filed: **Feb. 4, 2011**

(51) **LOC (9) Cl.** **06-03**

(52) **U.S. Cl.** **D6/421; D6/482; D6/486**

(58) **Field of Classification Search** D6/480-489,
D6/495, 511, 429-431, 421, 422, 397; 108/150,
108/153.1, 155, 156, 161, 50.01, 50.02; 248/188,
248/188.1, 188.8; 312/238, 239
See application file for complete search history.

(56) **References Cited**

U.S. PATENT DOCUMENTS

D179,079 S *	10/1956	Hopper	D6/474
D372,818 S *	8/1996	Snell	D6/483
D485,700 S *	1/2004	Roseman	D6/430
D520,263 S *	5/2006	Nobles et al.	D6/421
D557,927 S *	12/2007	Helm et al.	D6/397
D603,625 S *	11/2009	Marta	D6/482
D613,526 S *	4/2010	Priestman	D6/486

OTHER PUBLICATIONS

Knoll, Inc., Knoll A3 Assembly Instructions, www.knoll.com, 8 pgs.,
Jul. 9, 2002.
Herman Miller Inc., Resolve System, www.hermanmiller.com, 10
pgs., 2009.

* cited by examiner

Primary Examiner — Janice Seeger

(74) *Attorney, Agent, or Firm* — Gottlieb, Rackman &
Reisman, PC

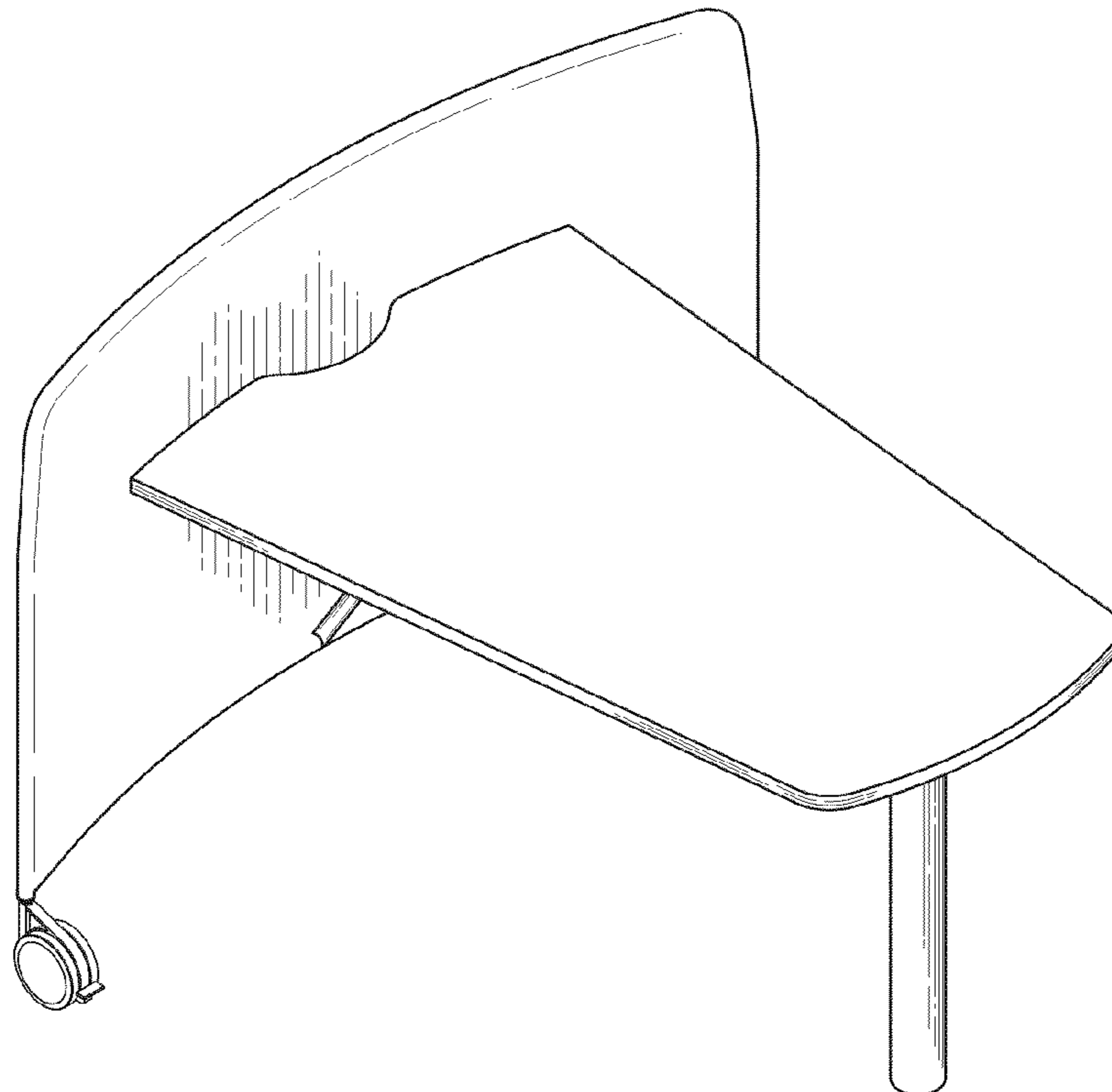
(57) **CLAIM**

The ornamental design for a mobile workstation, as shown
and described.

DESCRIPTION

FIG. 1 is a top, front and left side perspective view of my new
design;
FIG. 2 is a top plan view thereof;
FIG. 3 is a bottom plan view thereof;
FIG. 4 is a front elevational view thereof;
FIG. 5 is a rear elevational view thereof;
FIG. 6 is a left side elevational view thereof, the right side
elevational view being a mirror image;
FIG. 7 is a top, rear and left side perspective view thereof;
FIG. 8 is a top, front and left side perspective view of an
alternate embodiment of my new design;
FIG. 9 is a top plan view thereof;
FIG. 10 is a bottom plan view thereof;
FIG. 11 is a front elevational view thereof;
FIG. 12 is a rear elevational view thereof;
FIG. 13 is a left side elevational view thereof, the right side
elevational view being a mirror image; and,
FIG. 14 is a top, rear and left side perspective view thereof.
The broken lines of FIG. 3 and FIG. 10 depicting connector
plates are for illustrative purposes only and form no part of the
claimed design.

1 Claim, 8 Drawing Sheets



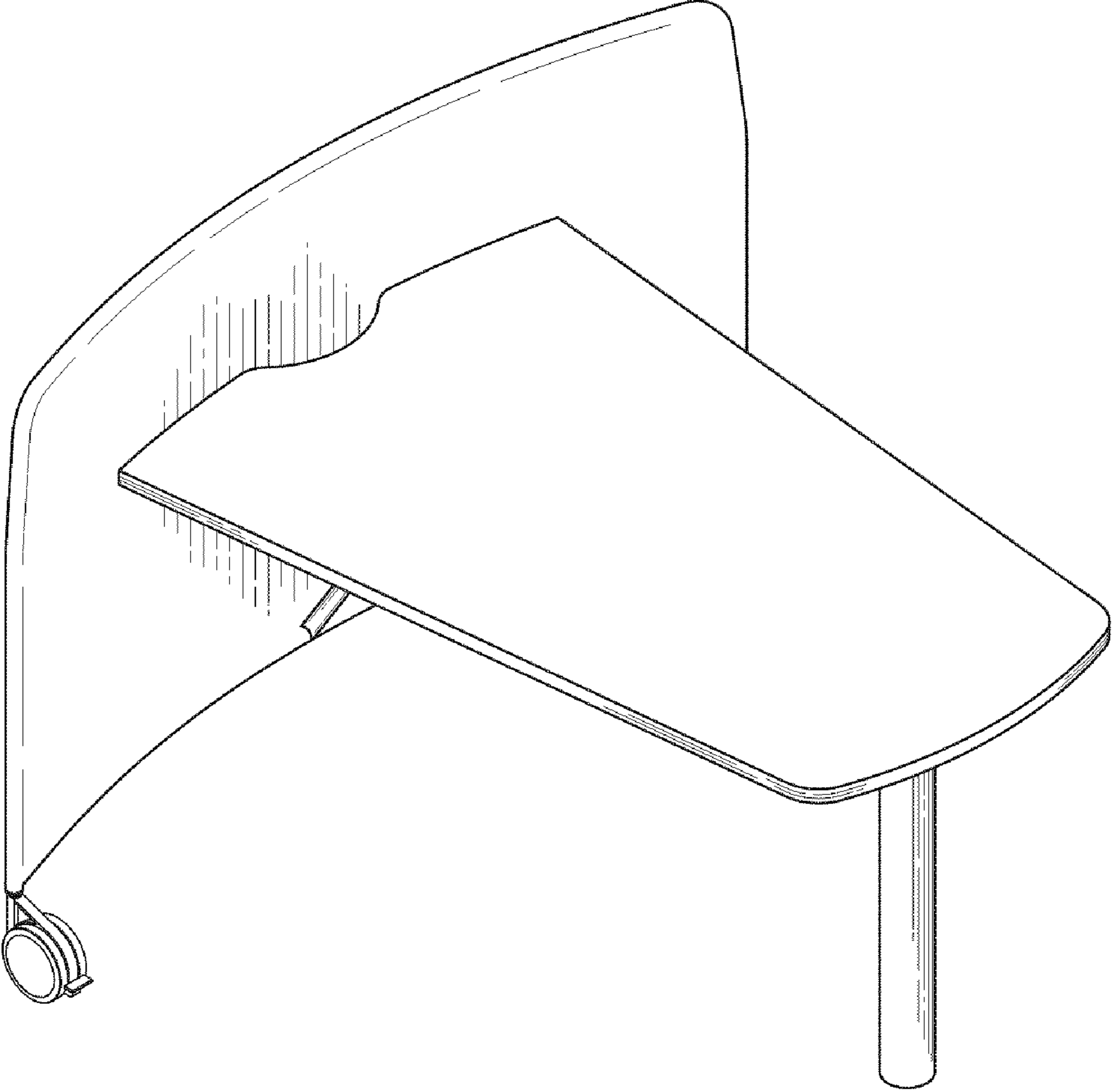


FIG. 1

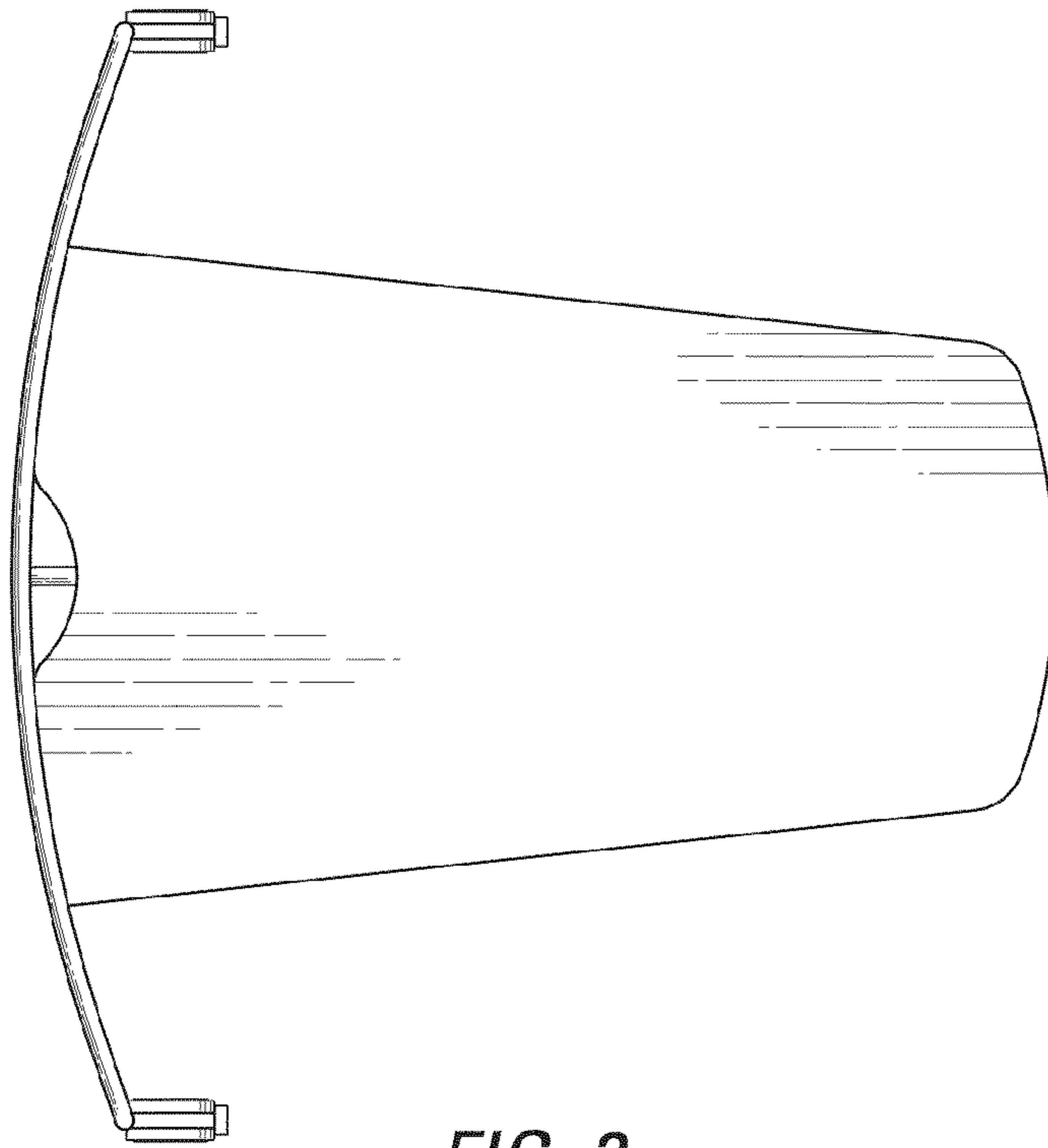


FIG. 2

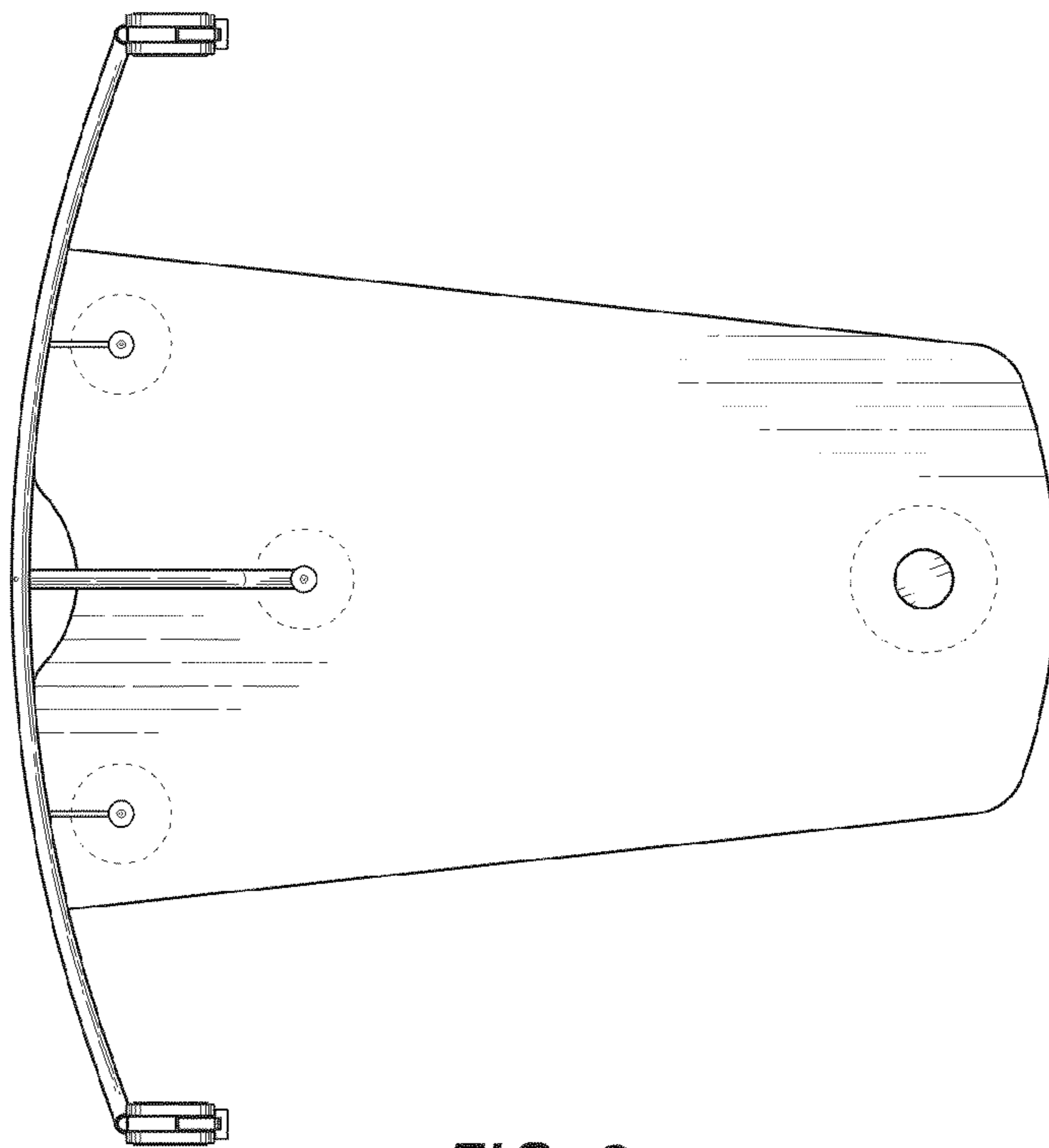


FIG. 3

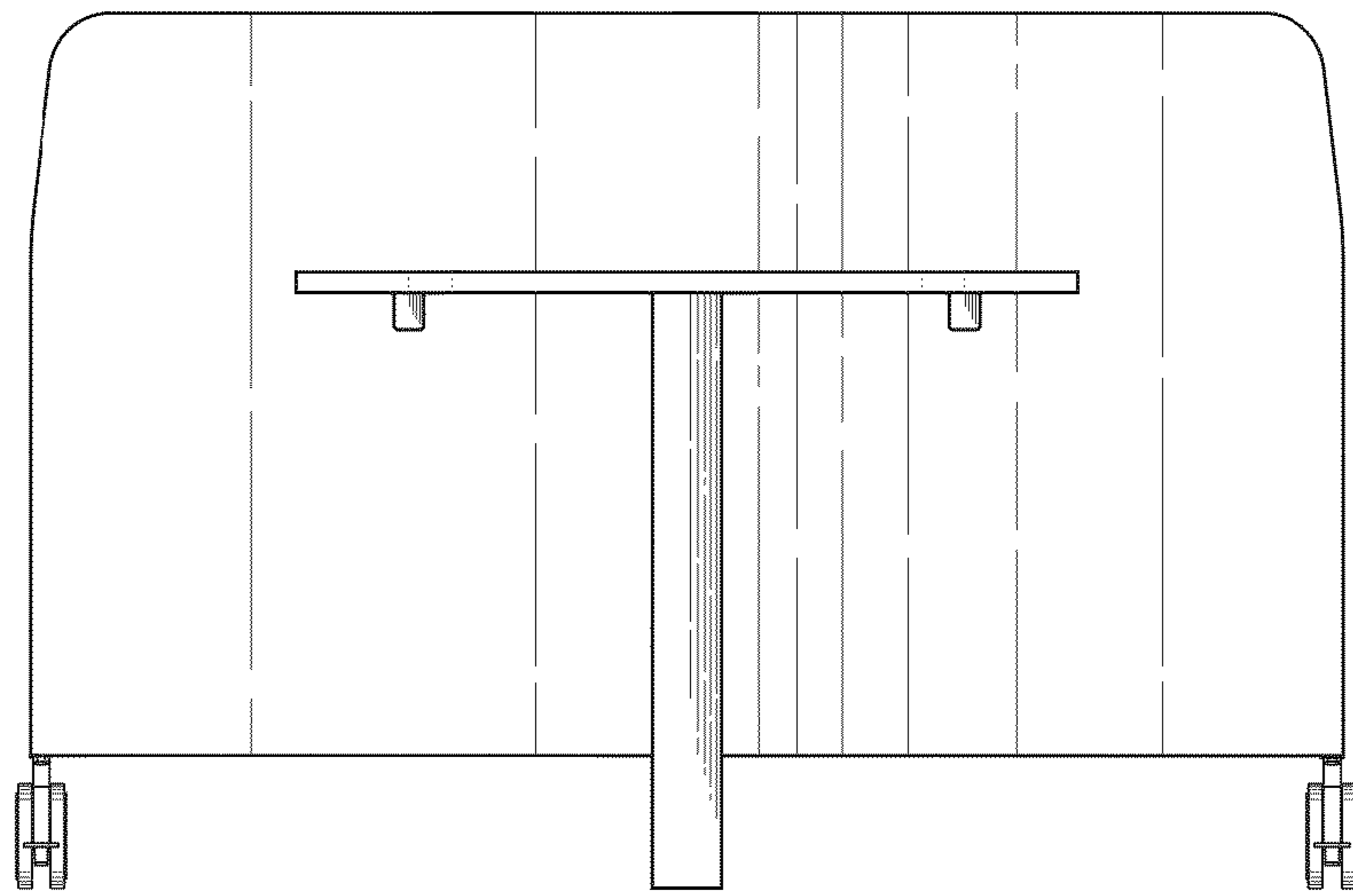


FIG. 4

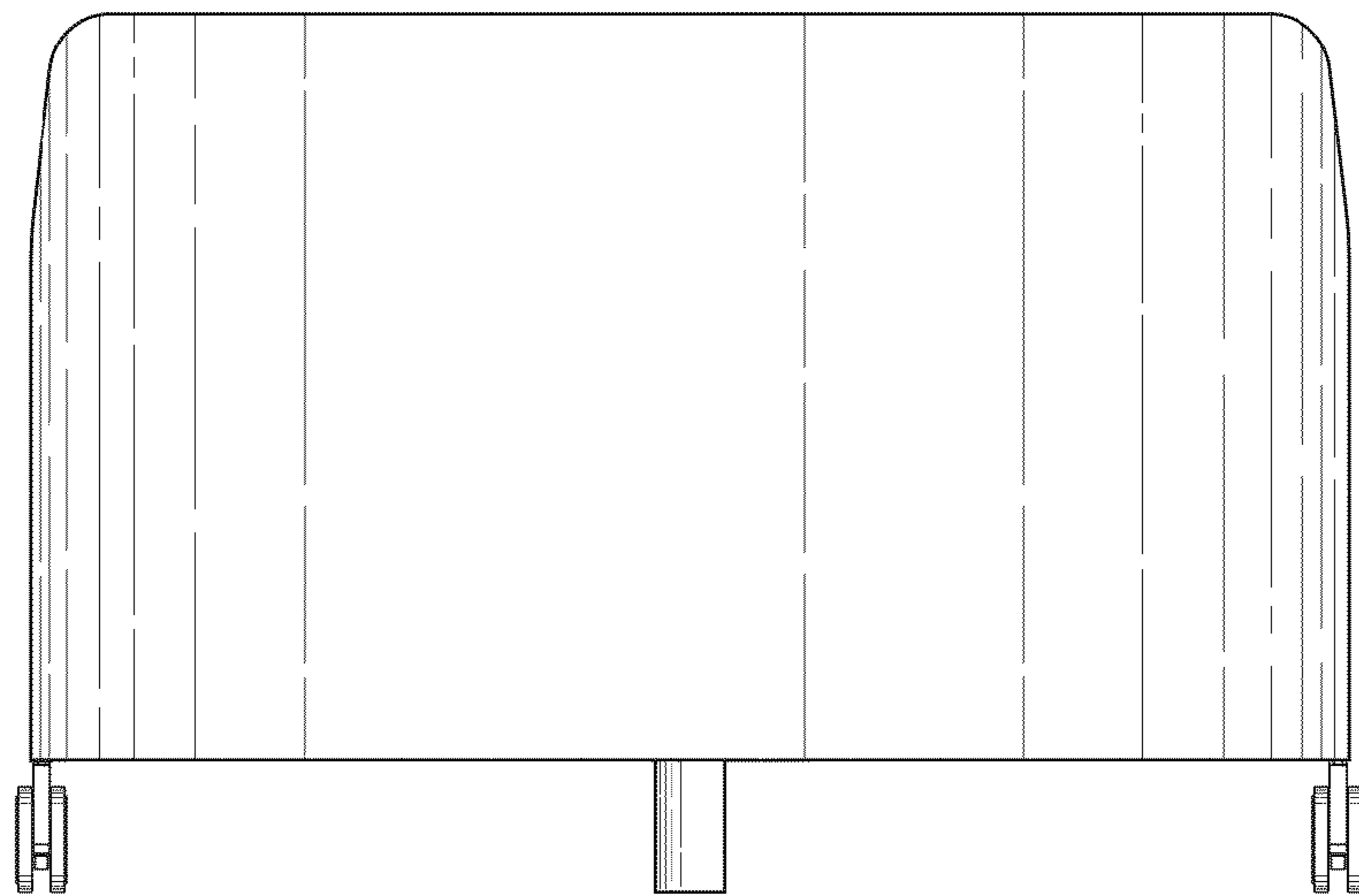


FIG. 5

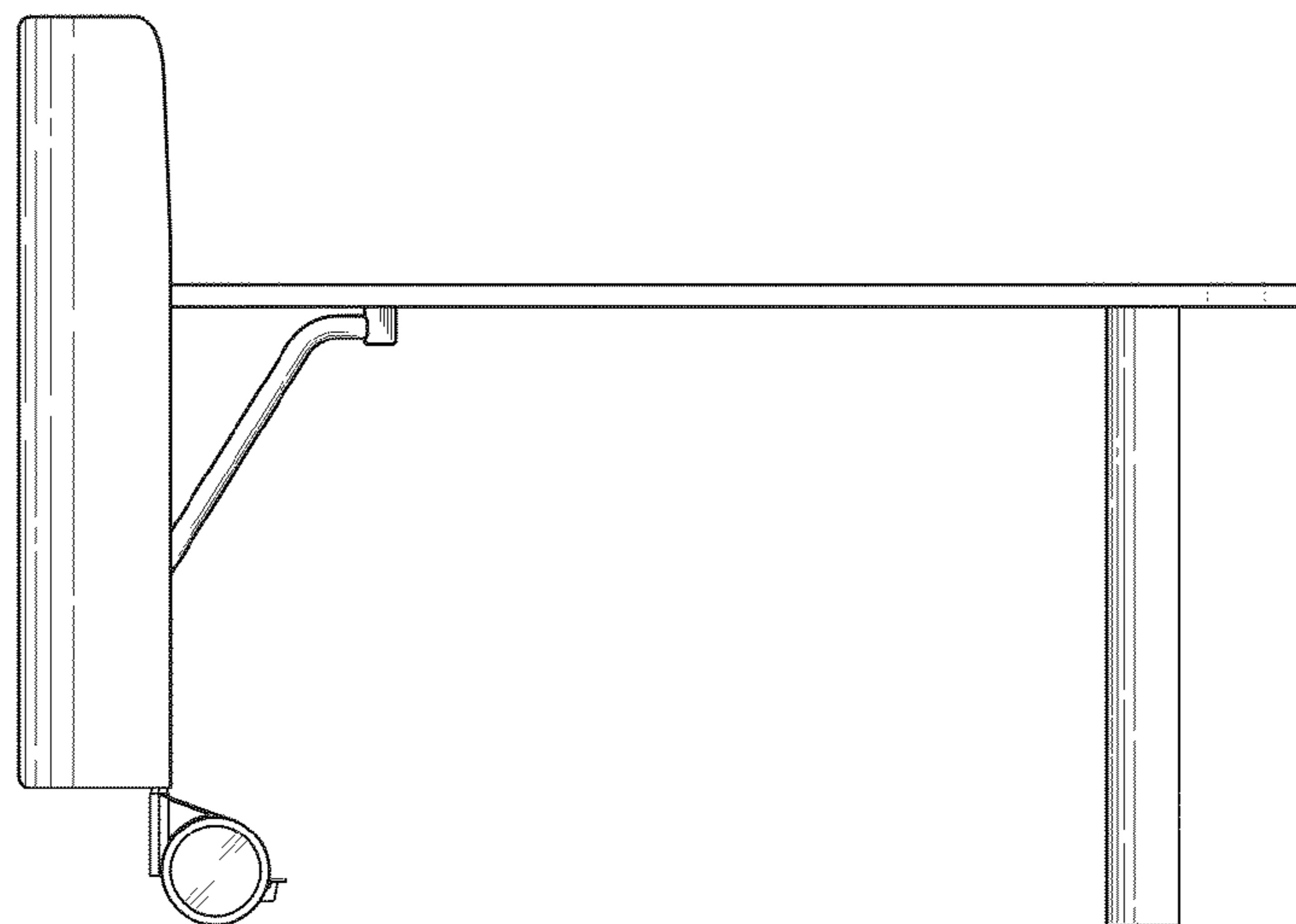


FIG. 6

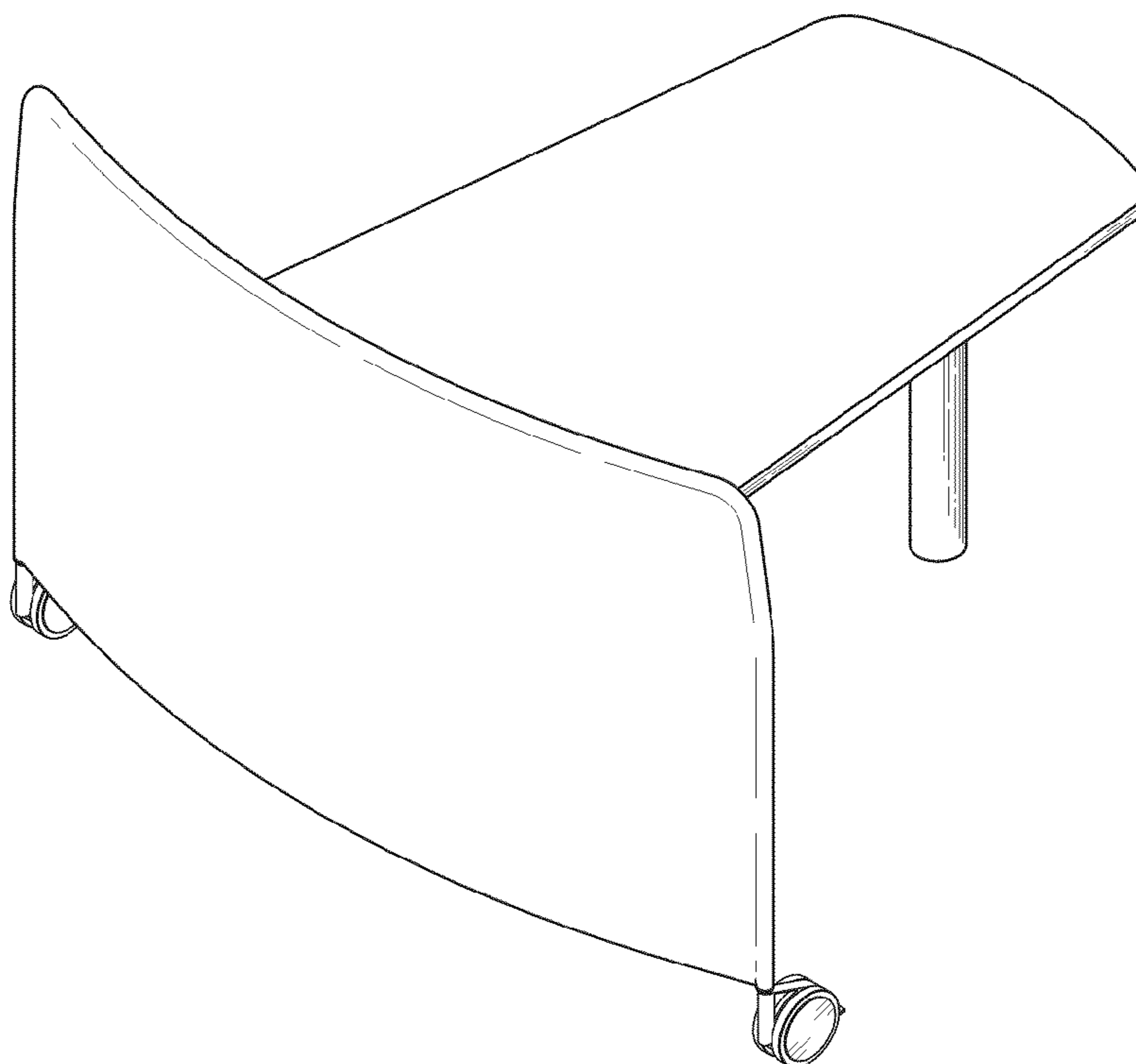


FIG. 7

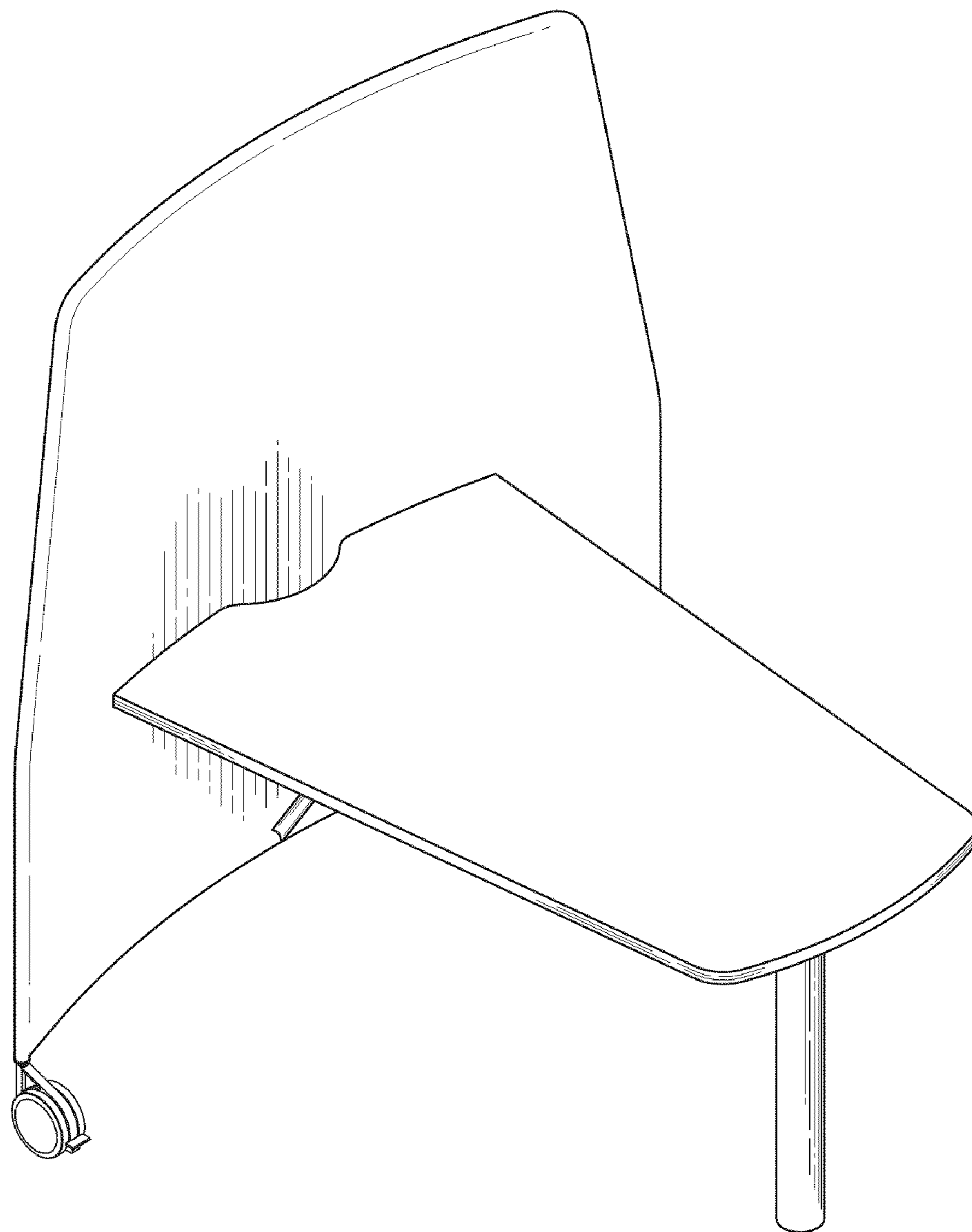


FIG. 8

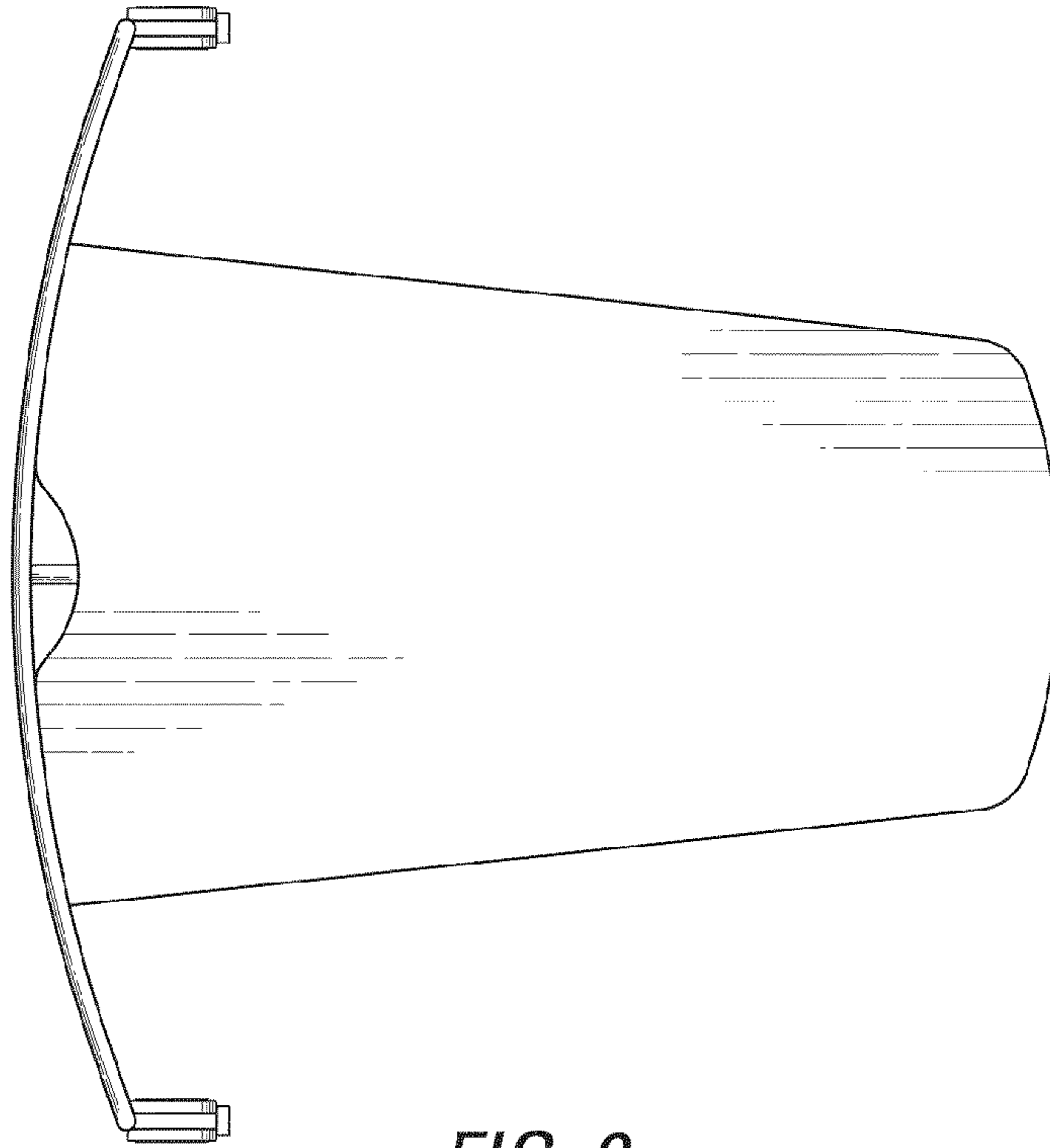


FIG. 9

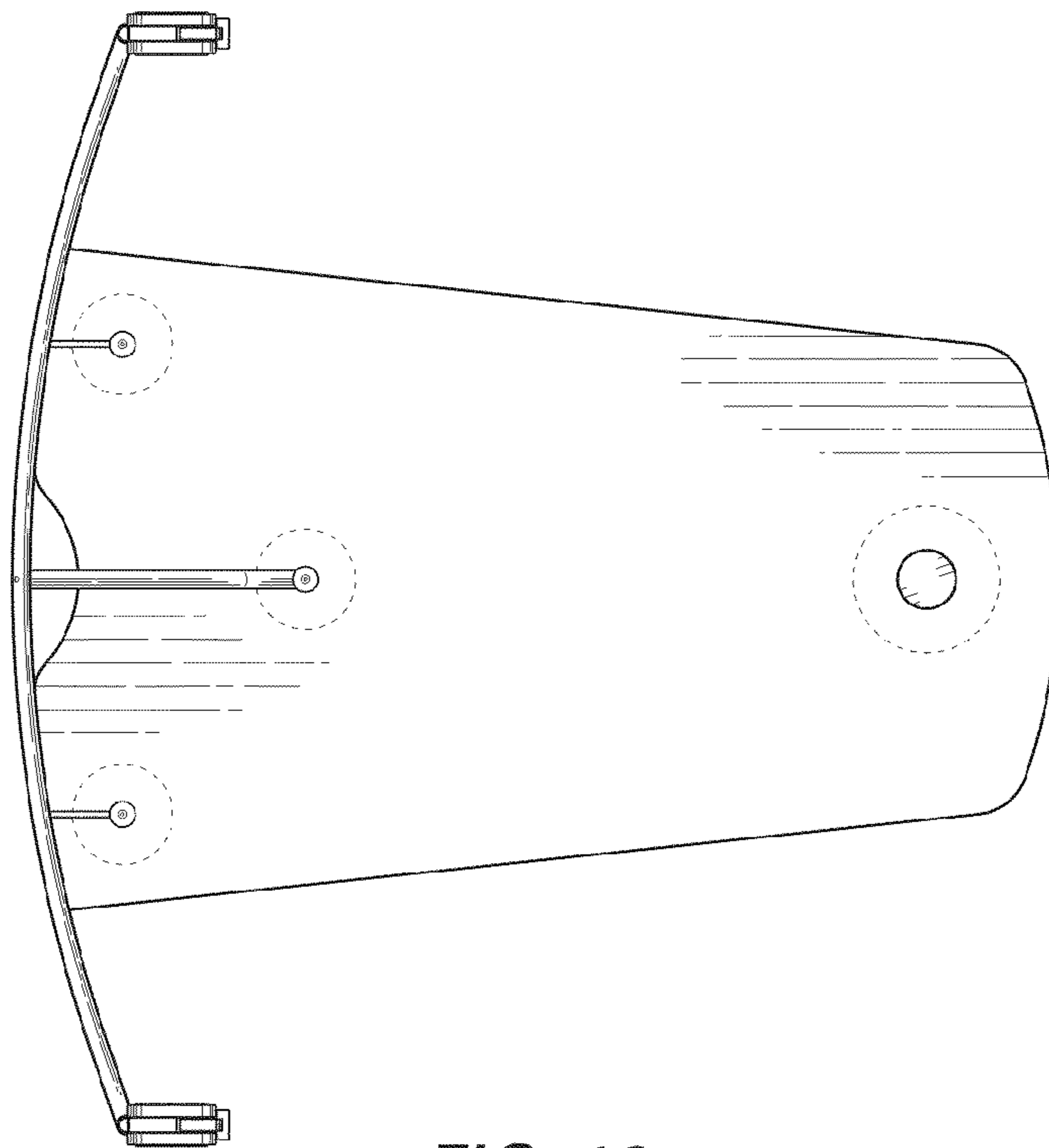


FIG. 10

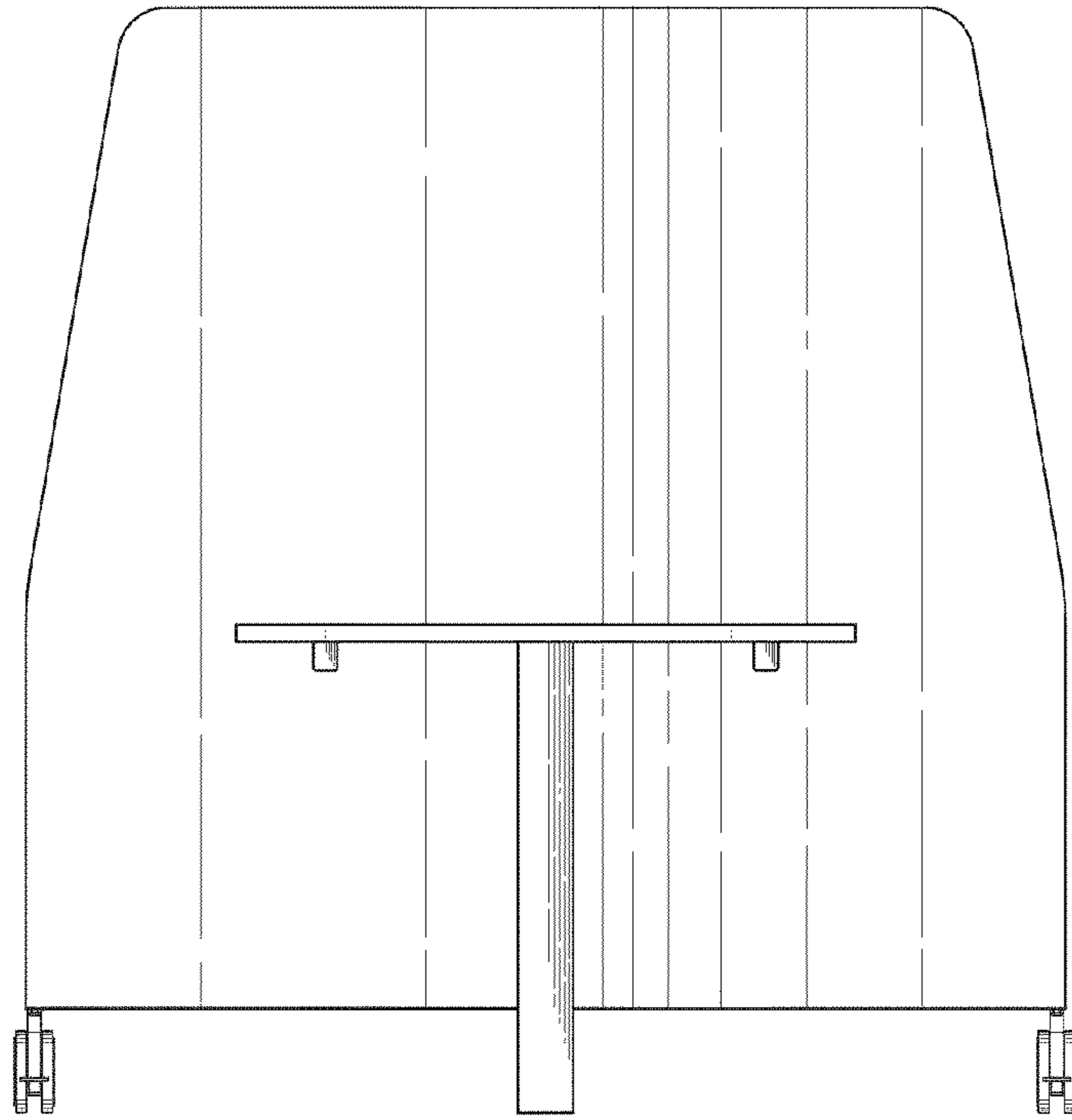


FIG. 11

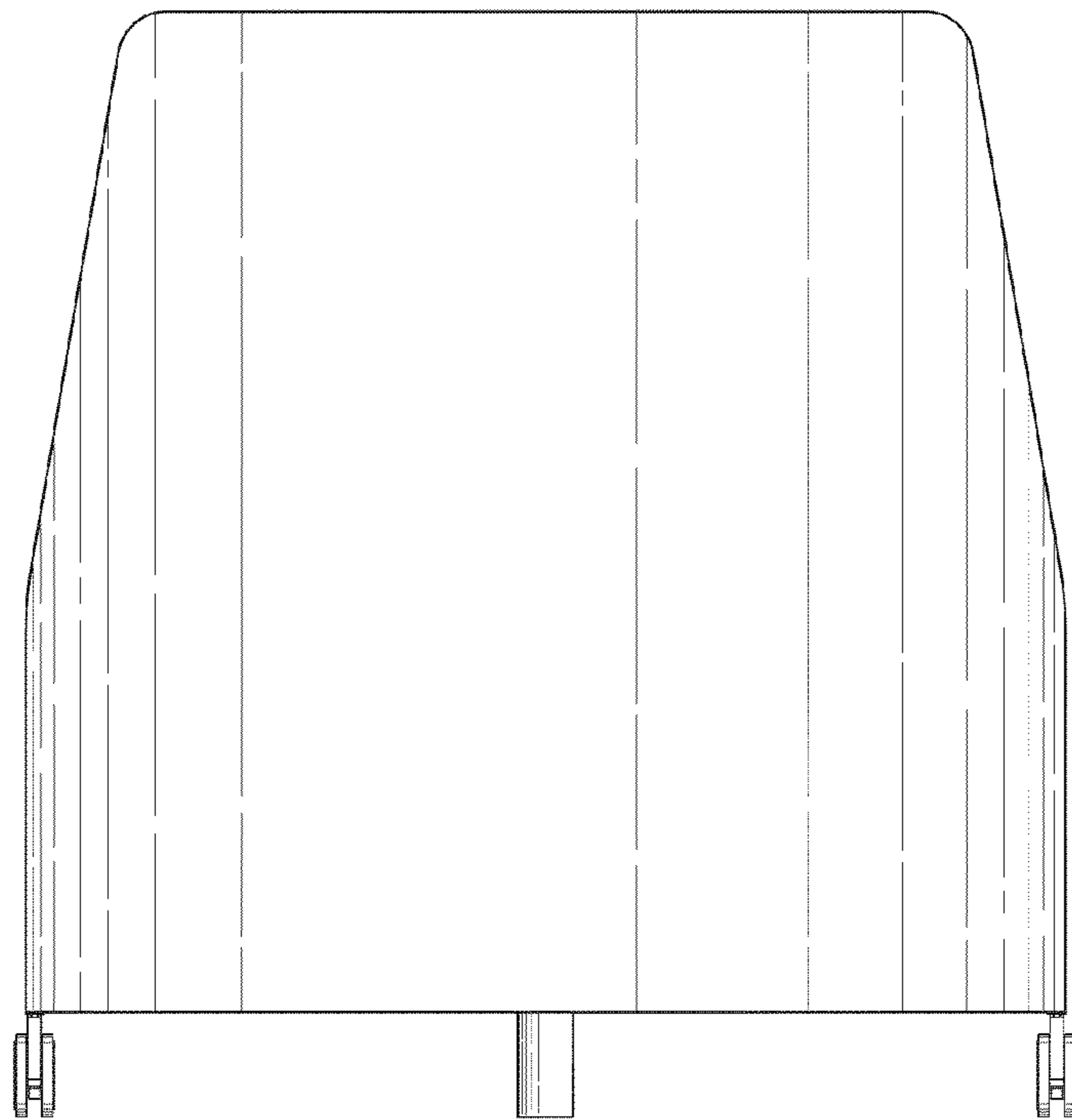


FIG. 12

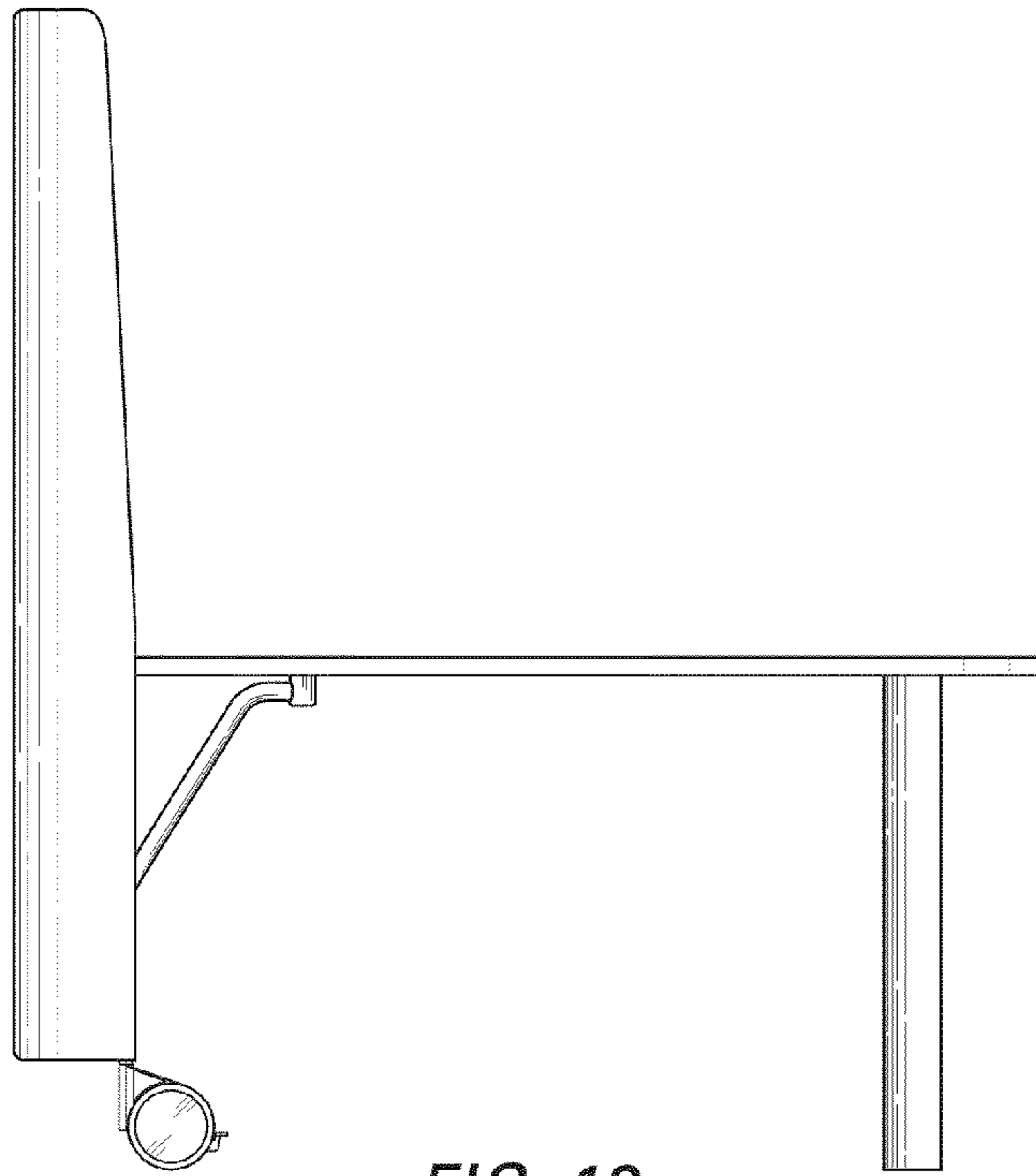


FIG. 13

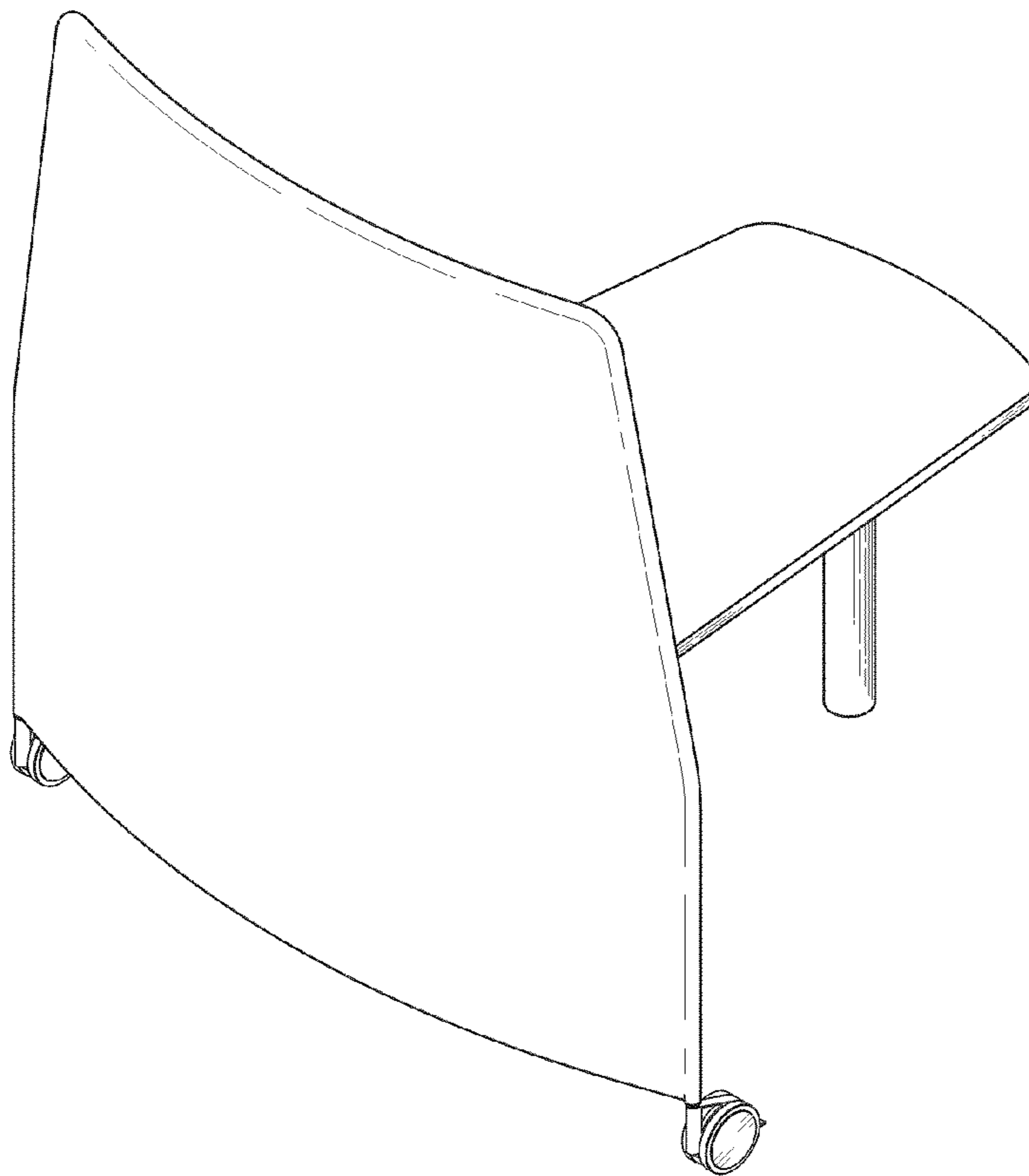


FIG. 14