



US00D647718S

(12) **United States Design Patent**  
**Chen**

(10) **Patent No.:** **US D647,718 S**

(45) **Date of Patent:** **\*\* Nov. 1, 2011**

(54) **CHAIR**

(76) Inventor: **Su-Ming Chen**, Kaohsiung (TW)

(\*\*) Term: **14 Years**

(21) Appl. No.: **29/358,799**

(22) Filed: **Mar. 31, 2010**

(51) **LOC (9) Cl.** ..... **06-01**

(52) **U.S. Cl.** ..... **D6/368**

(58) **Field of Classification Search** ..... D6/334-336,  
D6/368, 369, 370, 374, 376, 379, 380, 500-502;  
297/16.1, 40, 41, 55, 56, 58, 452.13, 452.21,  
297/452.29, 452.64

See application file for complete search history.

(56) **References Cited**

U.S. PATENT DOCUMENTS

2,620,019 A \* 12/1952 Merrill et al. .... 297/58  
3,695,687 A \* 10/1972 Uyeda ..... 297/56

D443,429 S \* 6/2001 Mower et al. .... D6/368  
D507,425 S \* 7/2005 Ashby et al. .... D6/368  
D513,670 S \* 1/2006 Yamagata ..... D6/380  
D599,127 S \* 9/2009 Smith ..... D6/368

\* cited by examiner

*Primary Examiner* — Mimoso De

(74) *Attorney, Agent, or Firm* — Leong C. Lei

(57) **CLAIM**

The ornamental design for a chair, as shown and described.

**DESCRIPTION**

FIG. 1 is a perspective view of a chair showing my new design;

FIG. 2 is a front elevational view thereof;

FIG. 3 is a rear elevational view thereof;

FIG. 4 is a left side elevational view thereof;

FIG. 5 is a right side elevational view thereof;

FIG. 6 is a top plan view thereof; and,

FIG. 7 is a bottom plan view thereof.

**1 Claim, 4 Drawing Sheets**





FIG.1

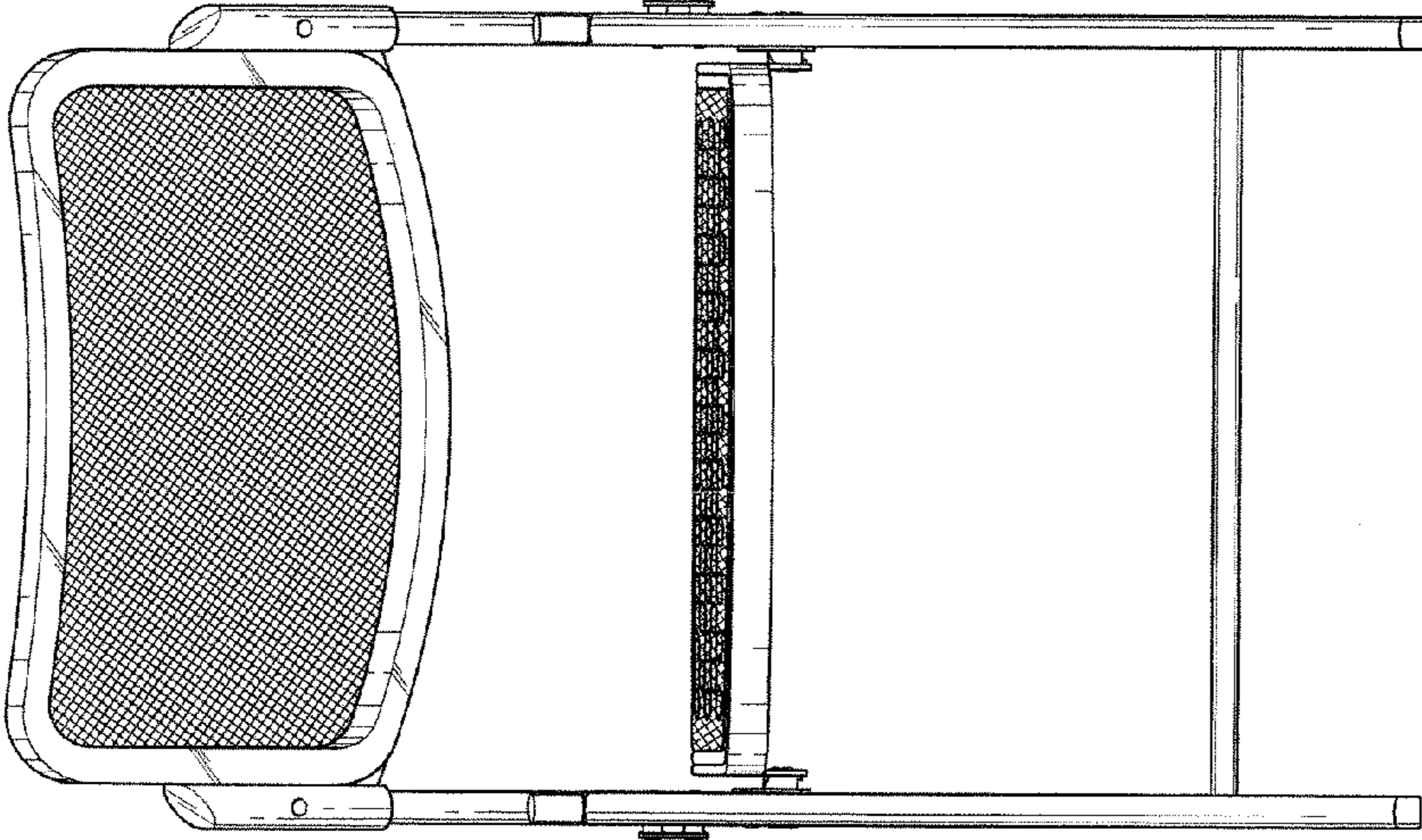


FIG.3

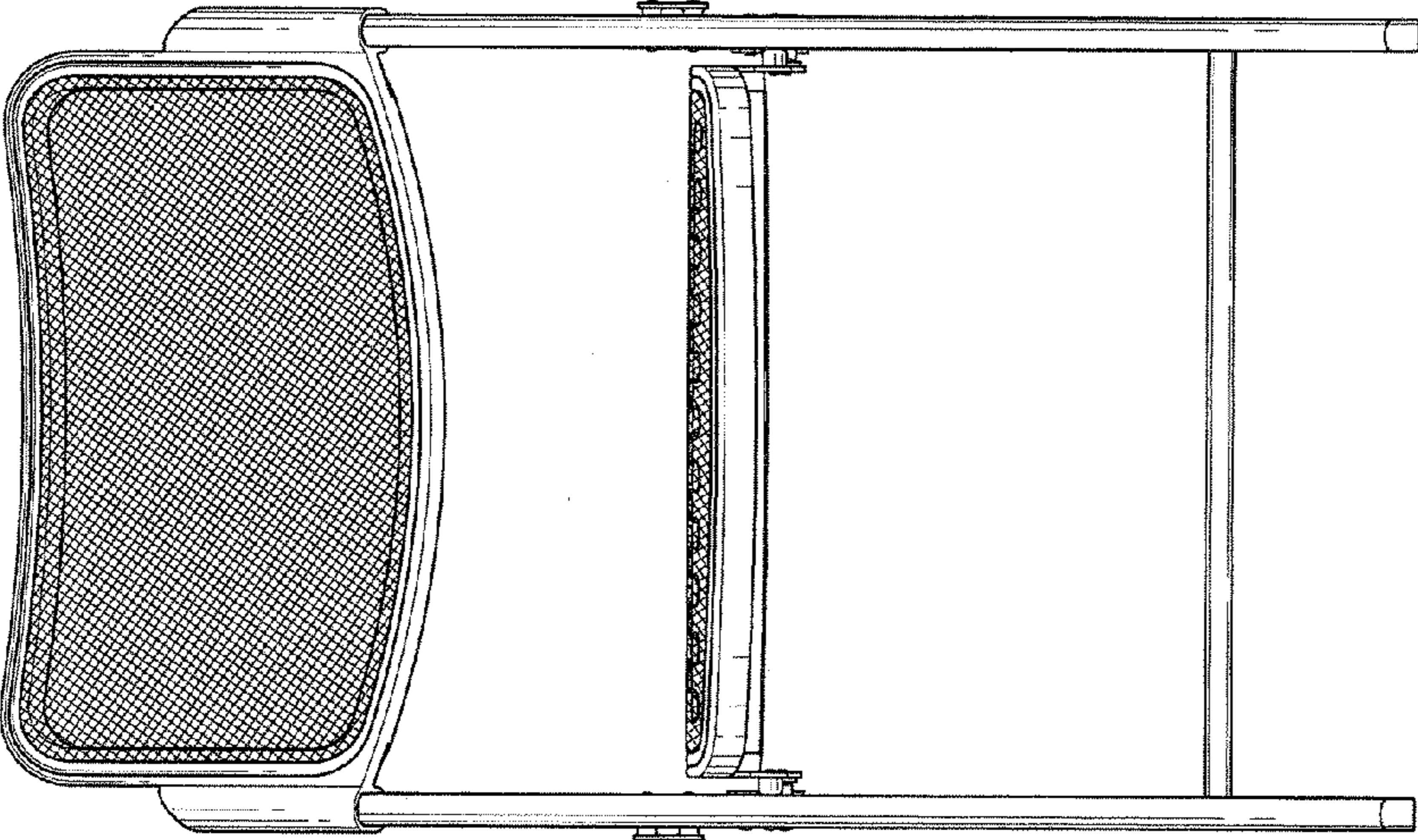


FIG.2

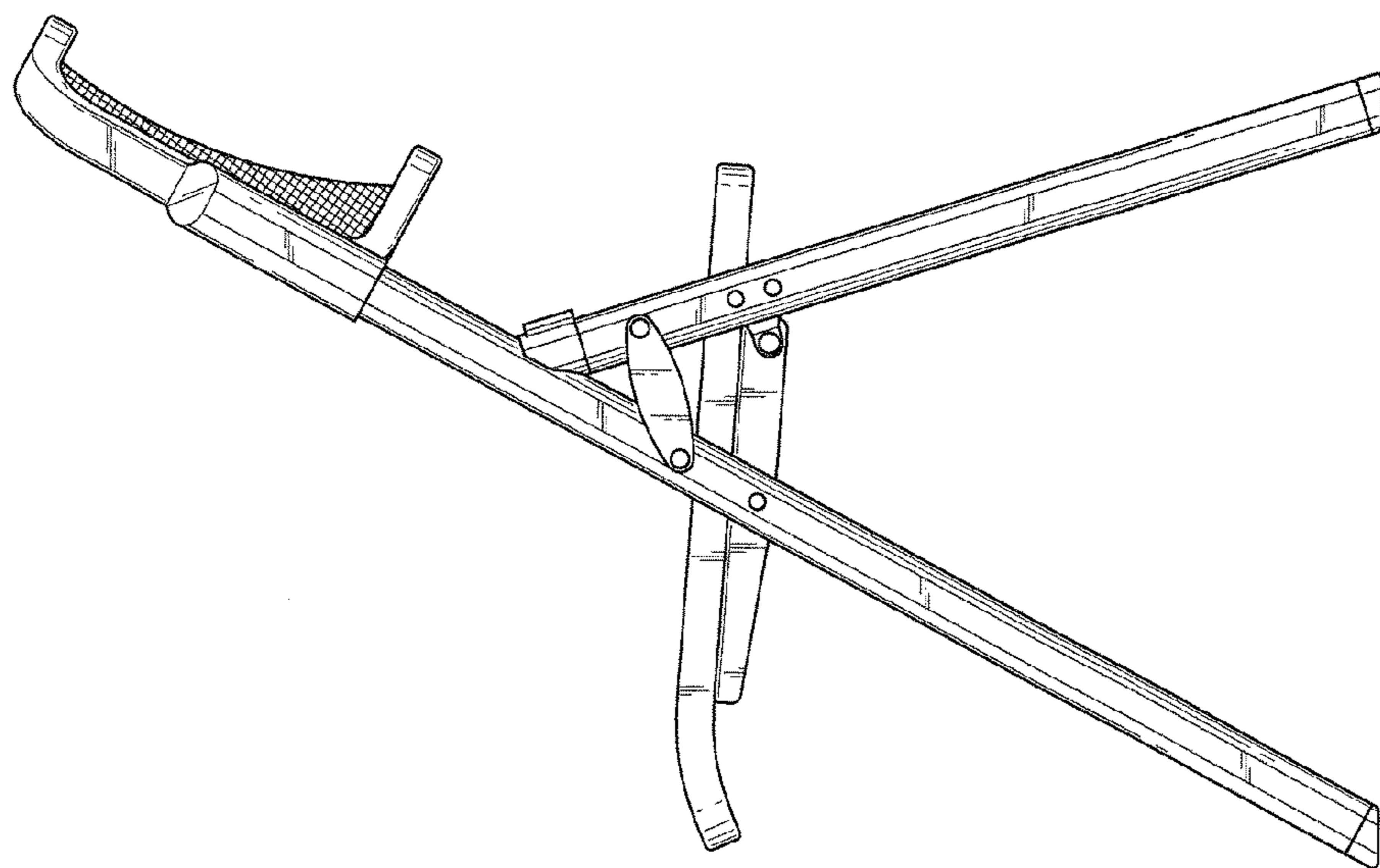


FIG.5

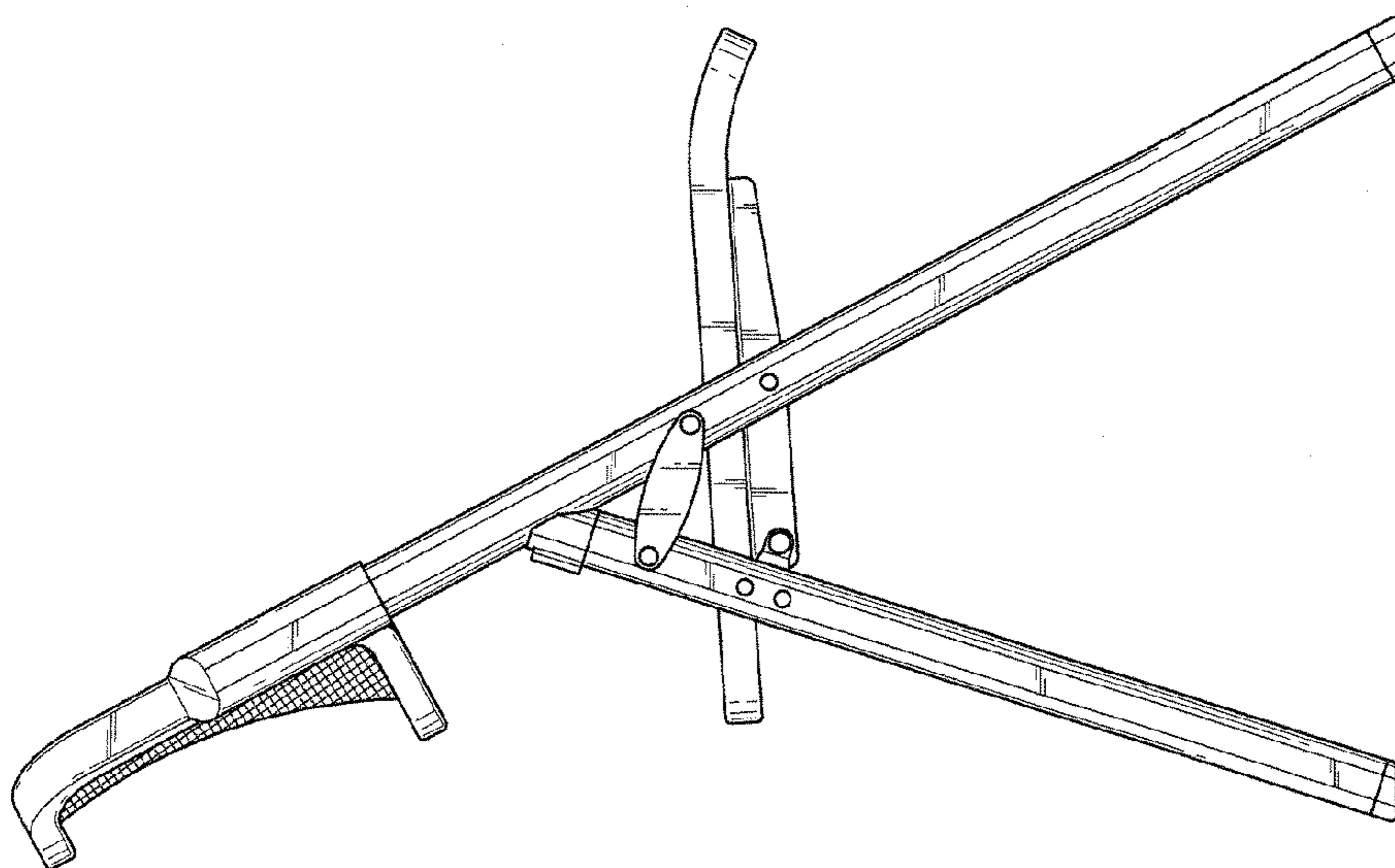


FIG.4

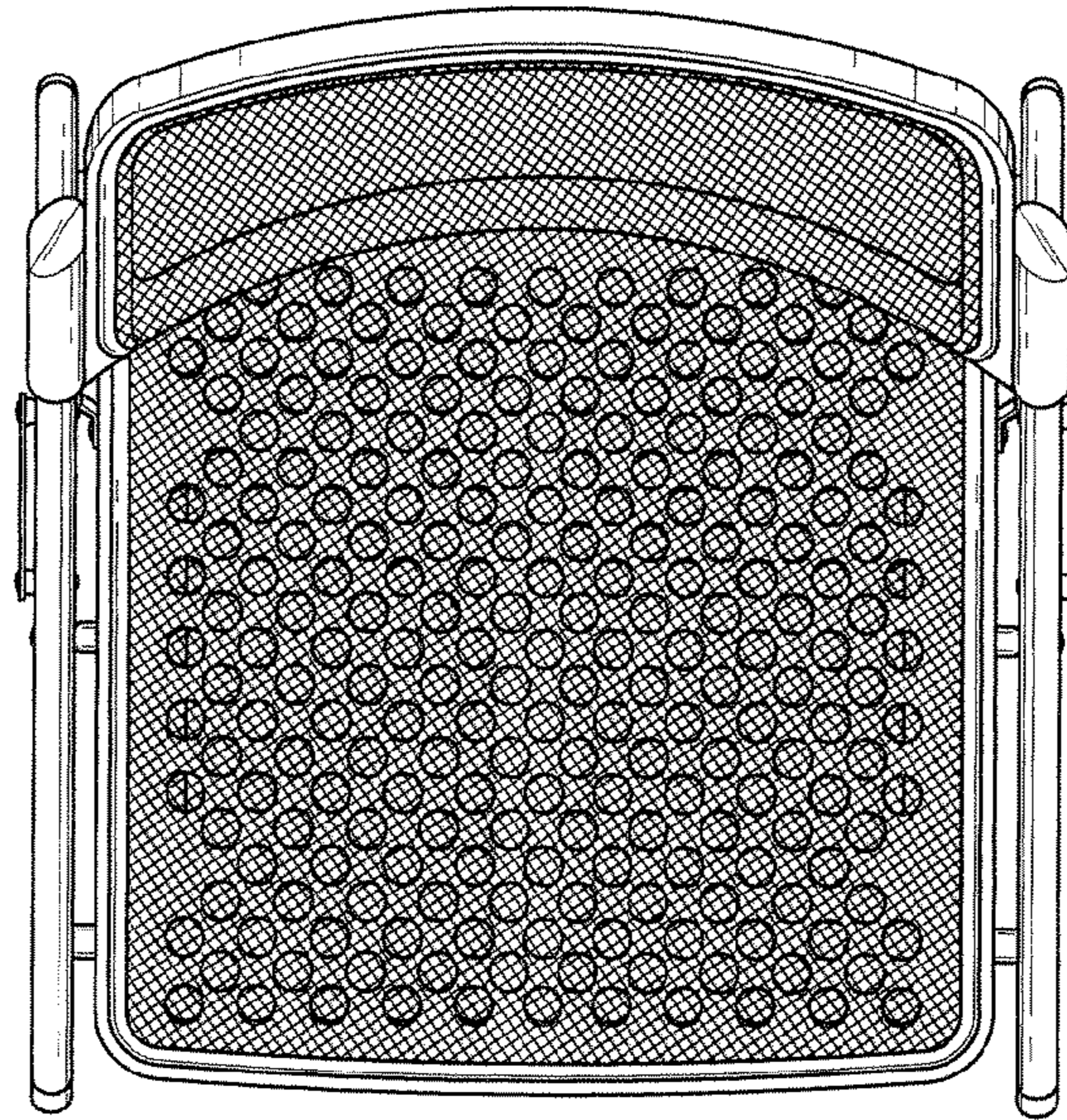


FIG. 6

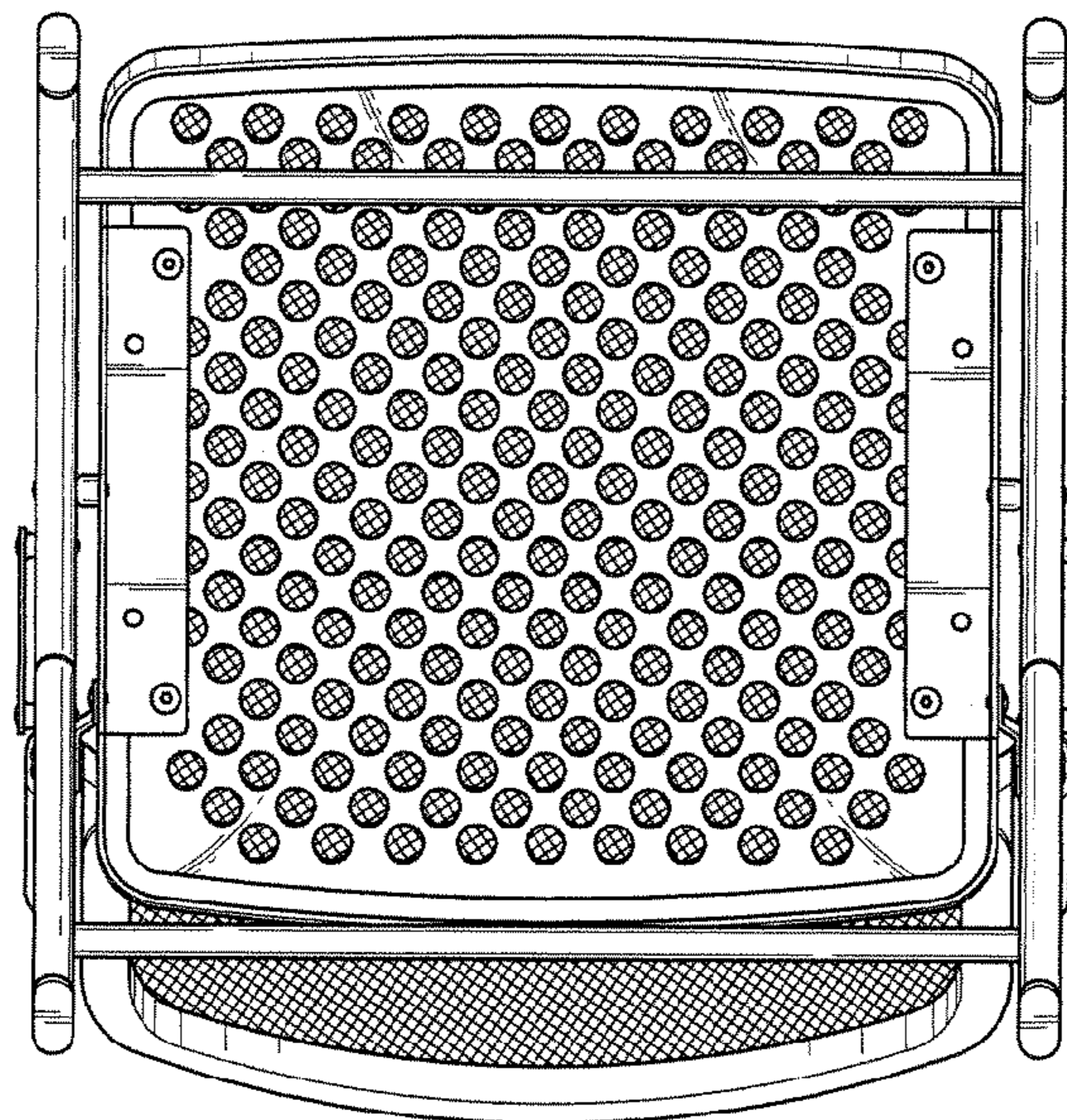


FIG. 7