



US00D647717S

(12) **United States Design Patent**  
**Zünd et al.**

(10) **Patent No.:** **US D647,717 S**

(45) **Date of Patent:** **\*\* Nov. 1, 2011**

(54) **CHAIR**

(75) Inventors: **Roland Zünd**, Rebstein (CH); **Rüdiger Schaack**, Nürnberg (DE)

(73) Assignee: **Dauphin Entwicklungs-u. Beteiligungs-GmbH**, Hersbruck (DE)

(\*\*) Term: **14 Years**

(21) Appl. No.: **29/387,651**

(22) Filed: **Mar. 16, 2011**

(30) **Foreign Application Priority Data**

Sep. 20, 2010 (WO) ..... 565 862 301

(51) **LOC (9) Cl.** ..... **06-01**

(52) **U.S. Cl.** ..... **D6/366**

(58) **Field of Classification Search** ..... D6/334-336,  
D6/360-369, 373-374, 379-380, 498, 500-502,  
D6/601; 297/284.1-284.5, 291, 297, 303.1,  
297/411.2, 411.27-411.29, 452.13, 452.19,  
297/452.21, 452.29, 452.3, 452.56, 452.63  
See application file for complete search history.

(56) **References Cited**

**U.S. PATENT DOCUMENTS**

D472,722 S \* 4/2003 Moll ..... D6/366

D535,112 S *	1/2007	Bennett et al. ....	D6/366
D550,976 S *	9/2007	Bellini et al. ....	D6/366
D558,996 S *	1/2008	Igarashi .....	D6/366
D558,997 S *	1/2008	Igarashi .....	D6/366
D559,571 S *	1/2008	Meda .....	D6/366
D559,572 S *	1/2008	Igarashi .....	D6/366
D600,462 S *	9/2009	Ooki et al. ....	D6/366
D607,653 S *	1/2010	Wilkinson et al. ....	D6/366
D627,983 S *	11/2010	Wakasugi et al. ....	D6/366
D634,558 S *	3/2011	Deisig .....	D6/366
D636,614 S *	4/2011	Sander et al. ....	D6/366
D638,635 S *	5/2011	Sander et al. ....	D6/366

\* cited by examiner

*Primary Examiner* — Ricky Pham

(74) *Attorney, Agent, or Firm* — McGlew and Tuttle, P.C.

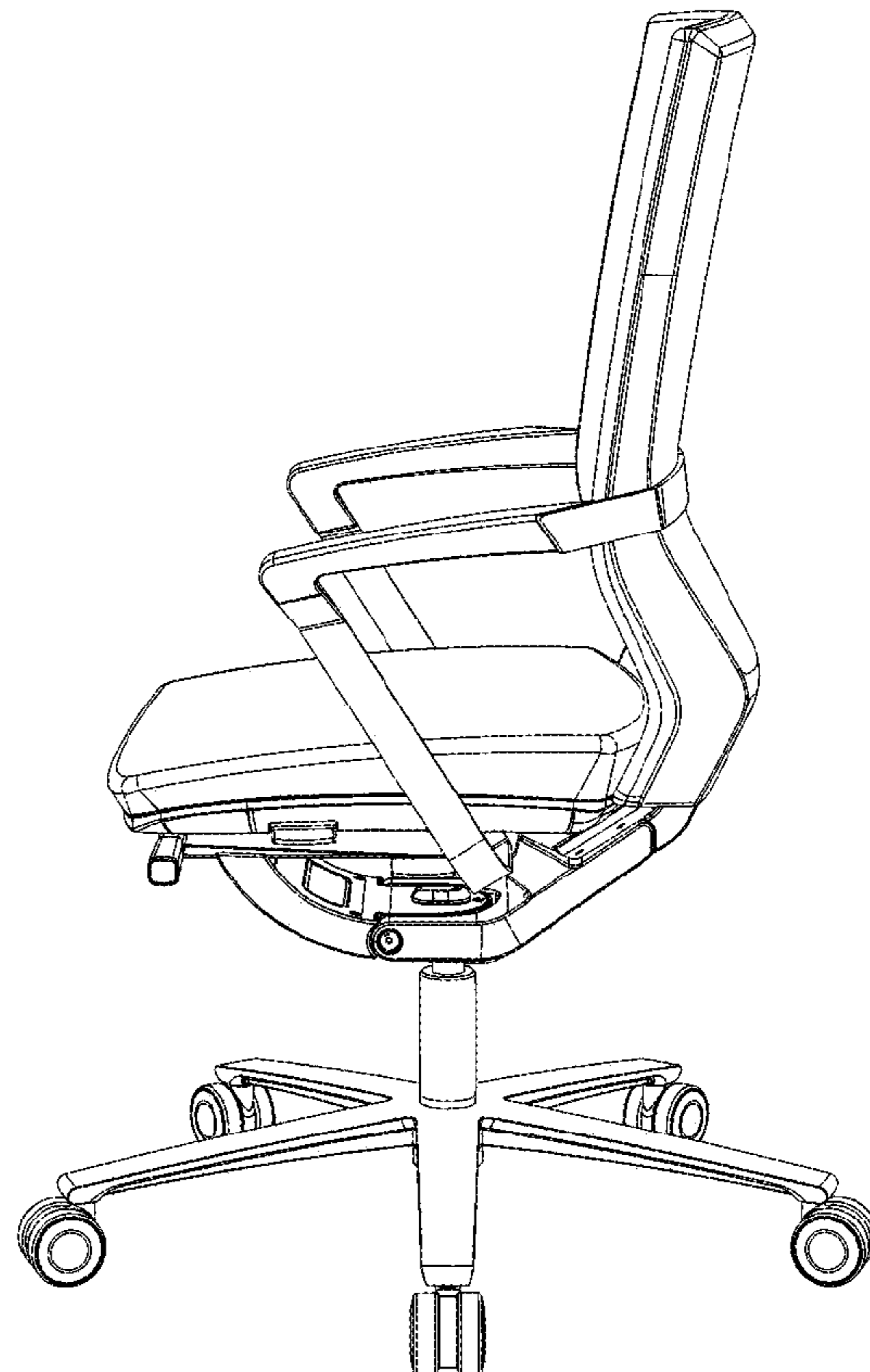
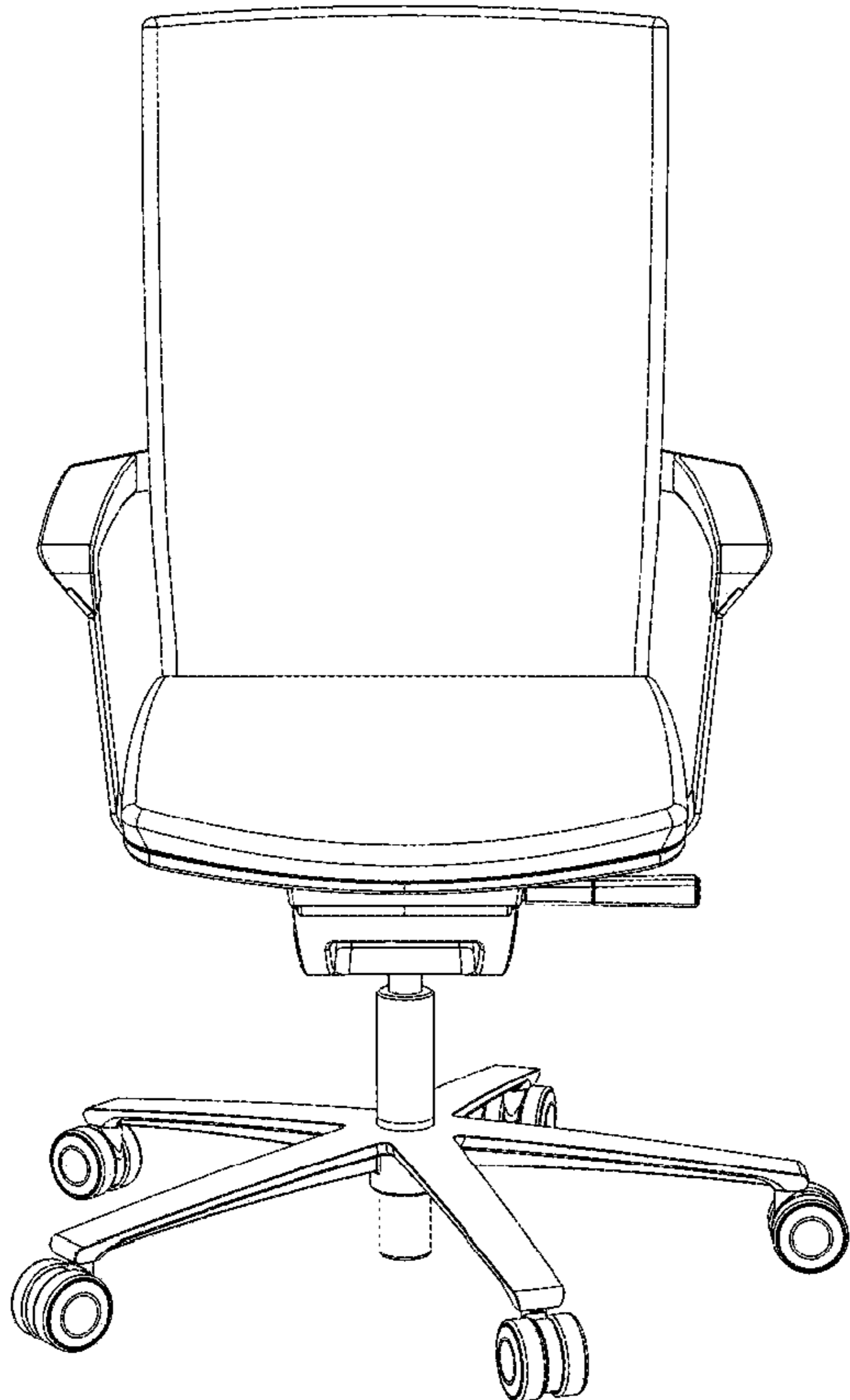
(57) **CLAIM**

The ornamental design for a chair, as shown and described.

**DESCRIPTION**

FIG. 1 is a front view of a chair, showing our new design;  
FIG. 2 is a rear view thereof;  
FIG. 3 is a top view thereof;  
FIG. 4 is a bottom view thereof;  
FIG. 5 is a lateral view (right side) thereof;  
FIG. 6 is a lateral view (left side) thereof; and,  
FIG. 7 is a perspective view thereof.

**1 Claim, 4 Drawing Sheets**



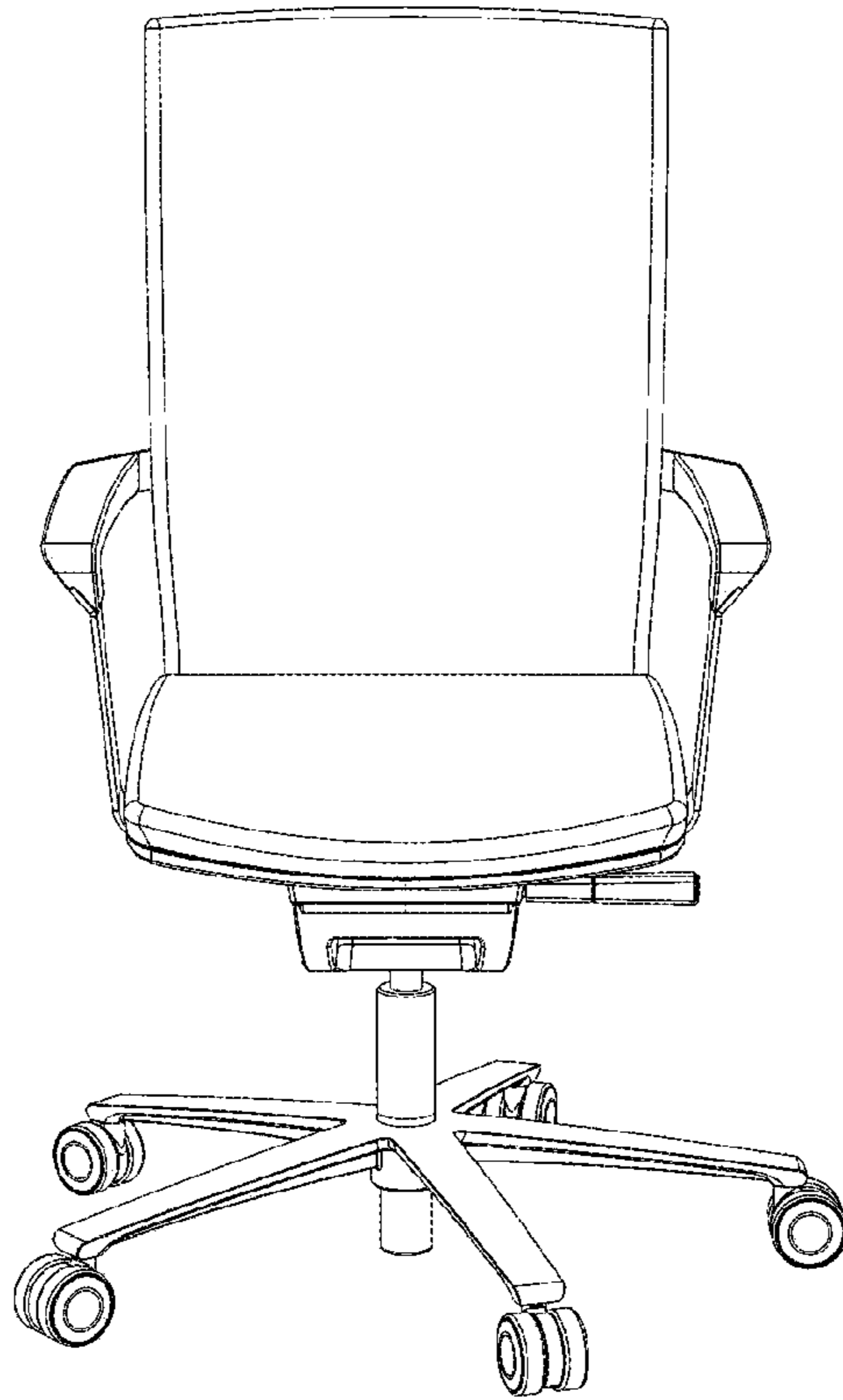


FIG. 1

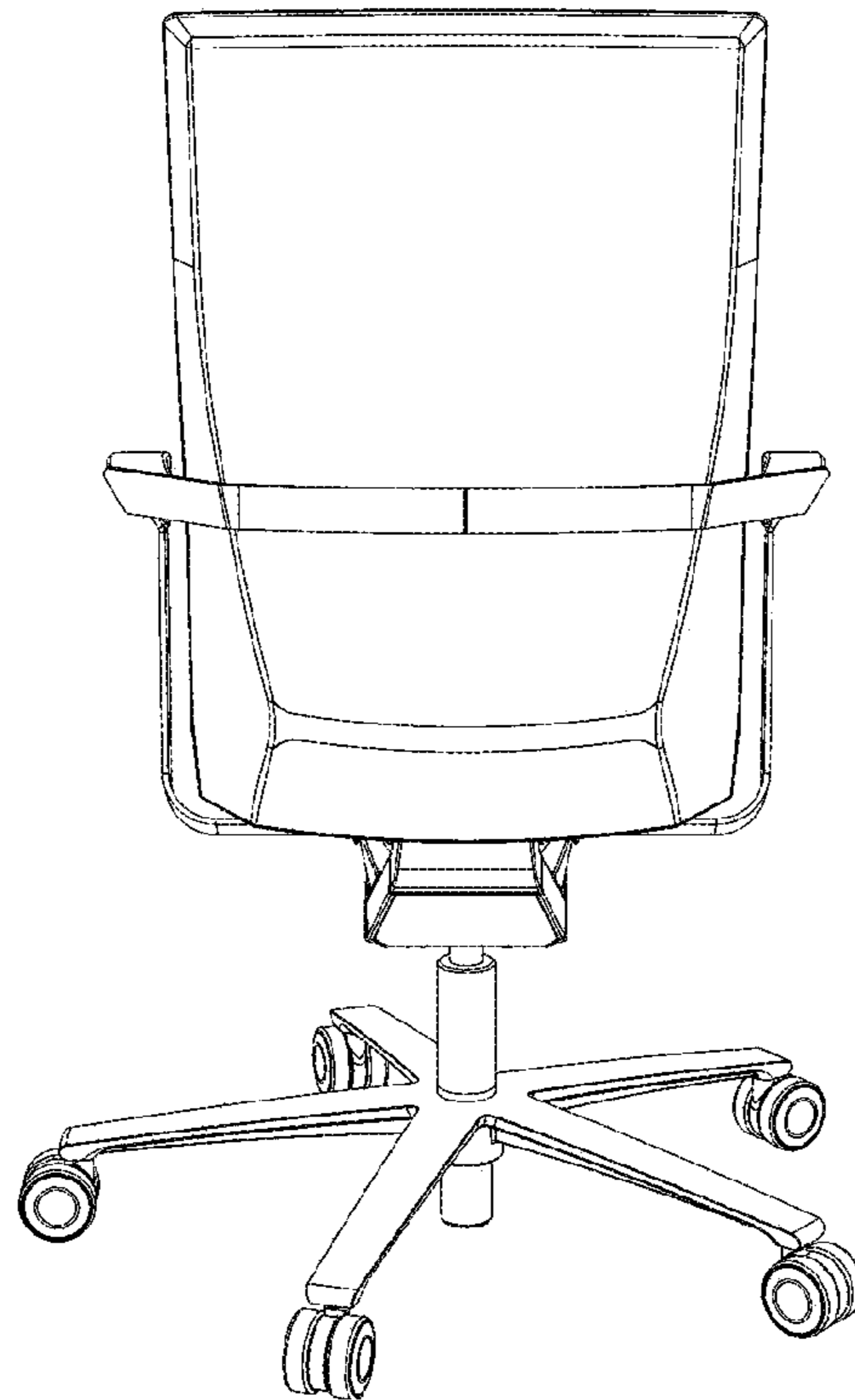


FIG. 2

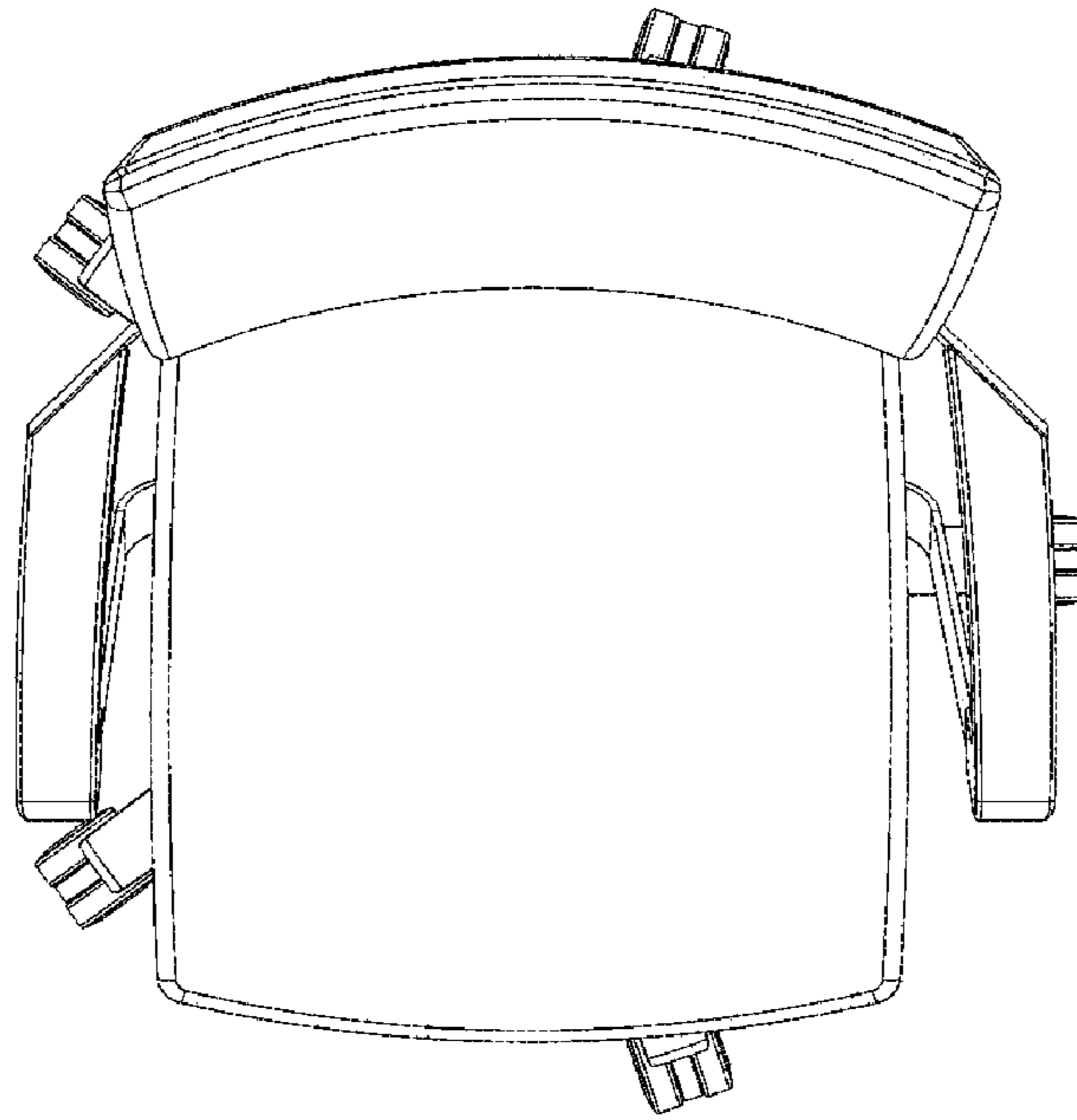


FIG. 3

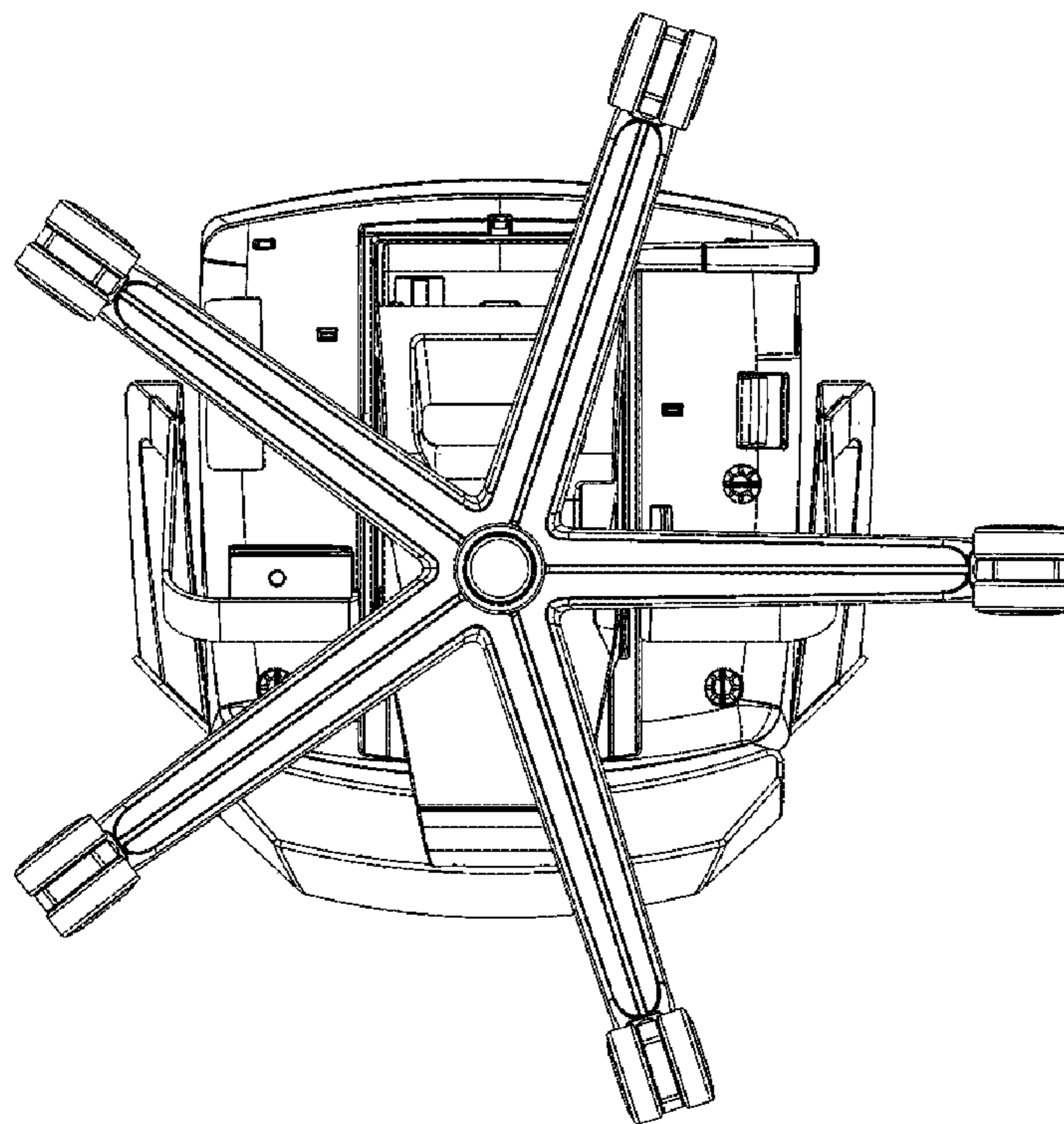


FIG. 4

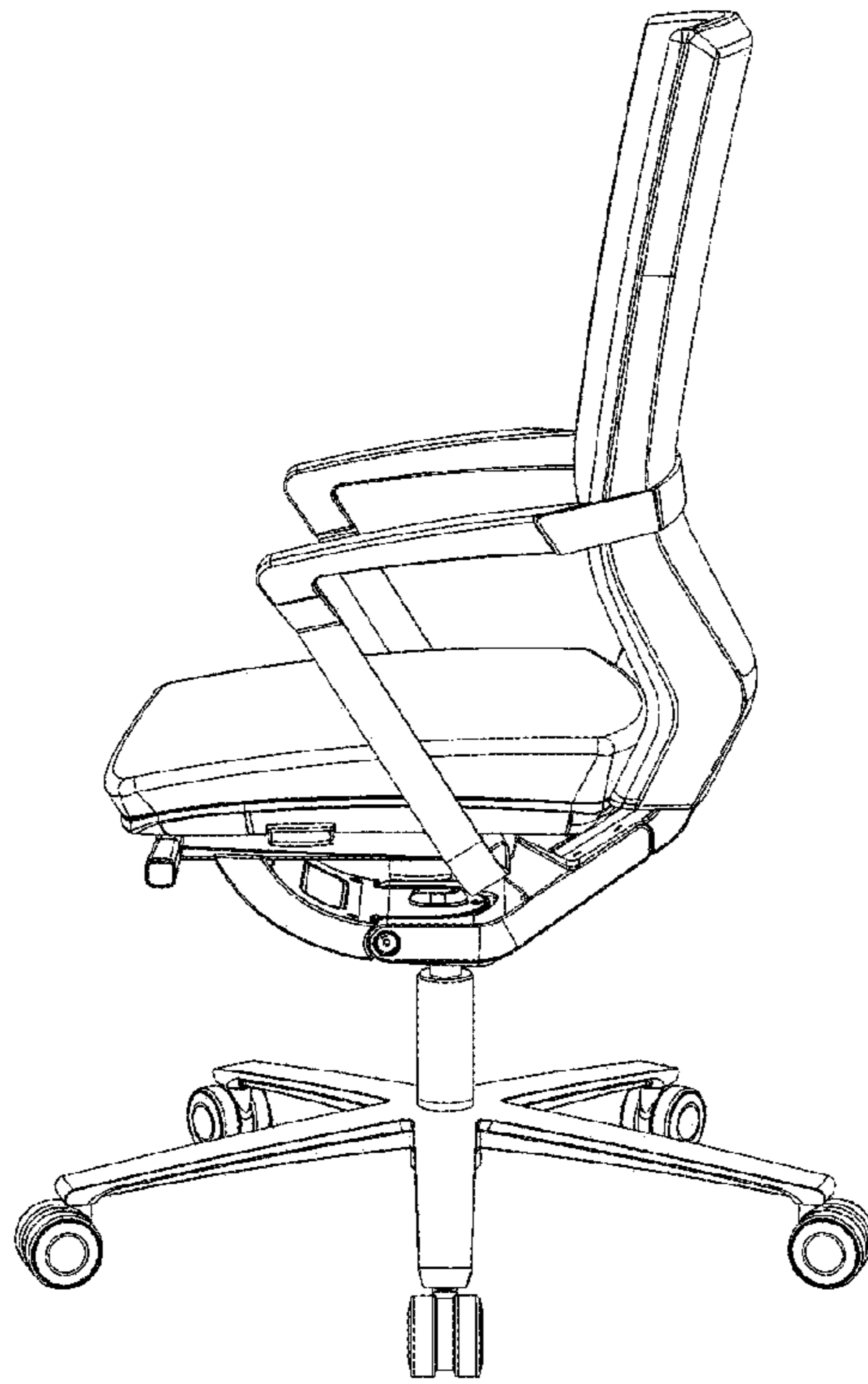


FIG. 5

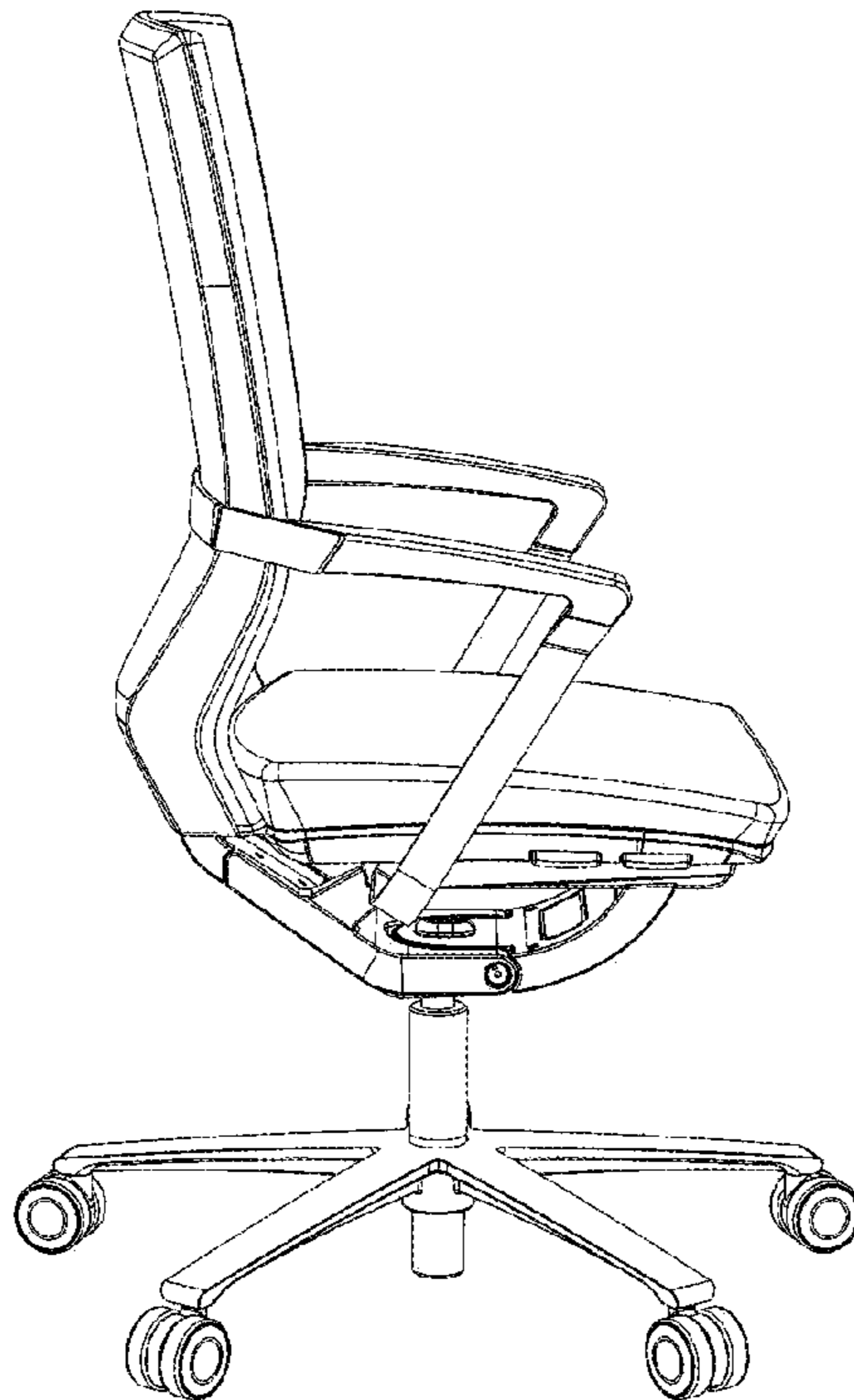


FIG. 6

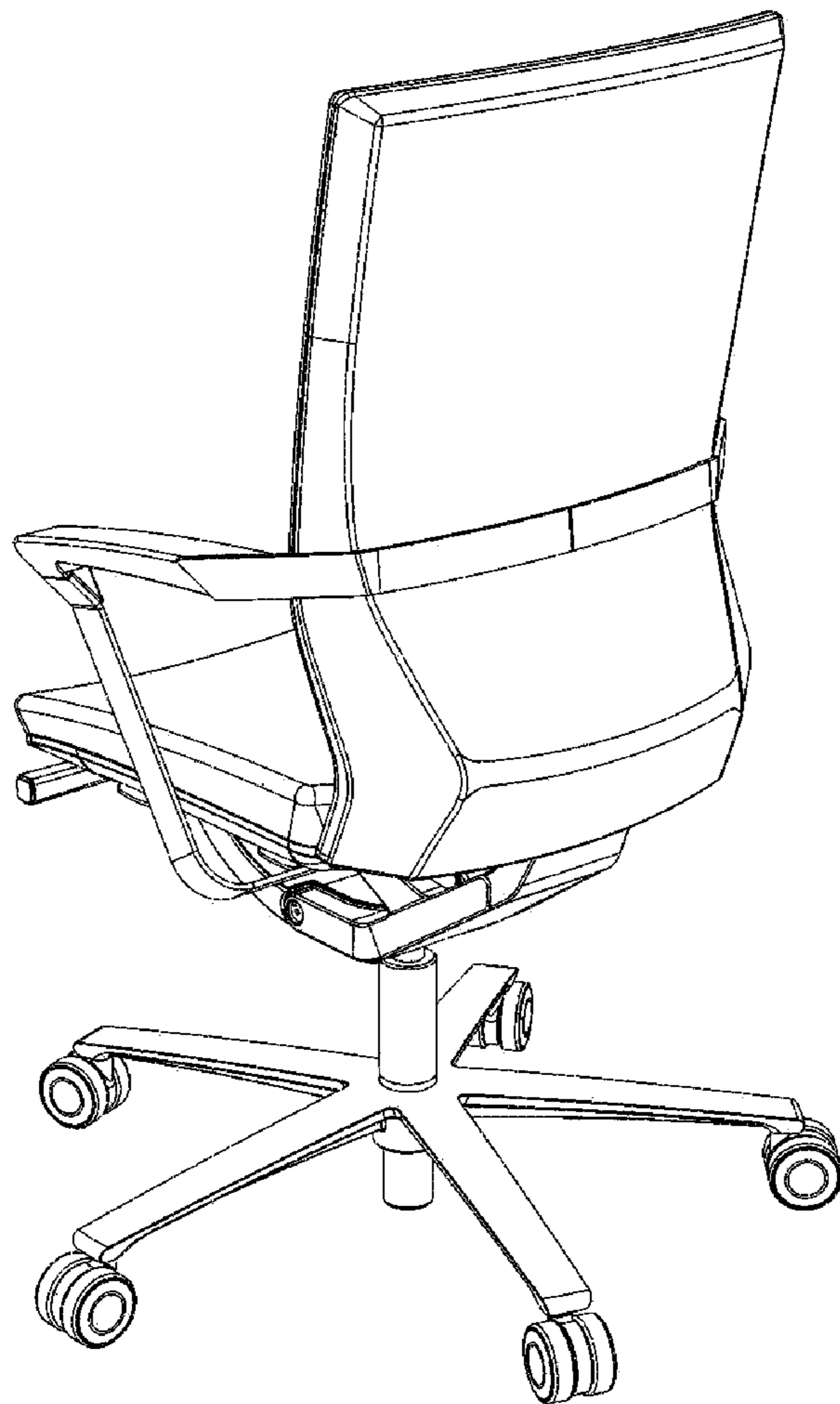


FIG. 7