



US00D647715S

(12) **United States Design Patent**  
**Kubryk**

(10) **Patent No.:** **US D647,715 S**

(45) **Date of Patent:** **\*\* Nov. 1, 2011**

(54) **TASK CHAIR**

(76) Inventor: **Isaac Kubryk**, Lockeford, CA (US)

(\*\*) Term: **14 Years**

(21) Appl. No.: **29/349,742**

(22) Filed: **Apr. 28, 2010**

(51) **LOC (9) Cl.** ..... **06-01**

(52) **U.S. Cl.** ..... **D6/366**

(58) **Field of Classification Search** ..... D6/334-336,  
D6/364, 365, 366, 367, 369, 374, 375, 376,  
D6/379, 380, 492, 500-502; 297/230.1,  
297/230.12, 284.1, 284.4, 411.44, 411.45,  
297/450.1

See application file for complete search history.

(56) **References Cited**

**U.S. PATENT DOCUMENTS**

|              |         |               |       |        |
|--------------|---------|---------------|-------|--------|
| D257,412 S * | 10/1980 | Wilson        | ..... | D6/366 |
| D281,840 S * | 12/1985 | Ogg           | ..... | D6/366 |
| D297,986 S * | 10/1988 | Jenkins       | ..... | D6/366 |
| D300,483 S * | 4/1989  | Jenkins       | ..... | D6/366 |
| D303,888 S * | 10/1989 | Stafford      | ..... | D6/502 |
| D330,810 S * | 11/1992 | Stafford      | ..... | D6/366 |
| D386,622 S * | 11/1997 | Kelley et al. | ..... | D6/366 |

|              |         |               |       |        |
|--------------|---------|---------------|-------|--------|
| D403,519 S * | 1/1999  | Stafford      | ..... | D6/366 |
| D408,162 S * | 4/1999  | Olson et al.  | ..... | D6/366 |
| D408,164 S * | 4/1999  | Popham et al. | ..... | D6/366 |
| D443,991 S * | 6/2001  | Picotti       | ..... | D6/366 |
| D603,177 S * | 11/2009 | Kubryk        | ..... | D6/366 |

\* cited by examiner

*Primary Examiner* — Mimoso De

(74) *Attorney, Agent, or Firm* — Audrey A. Millemann;  
Weintraub Genshlea et al.

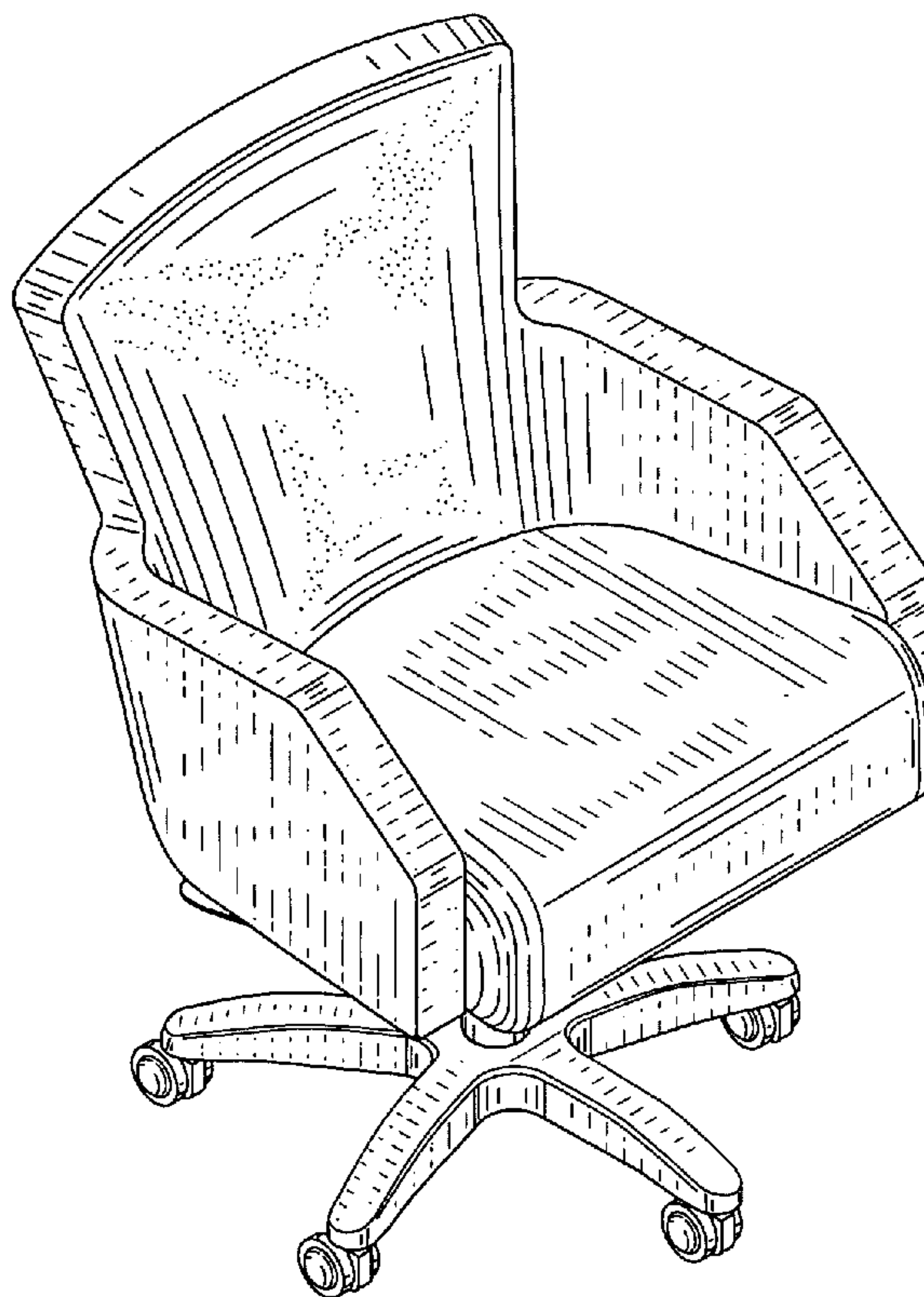
(57) **CLAIM**

The ornamental design for a task chair, as shown and described.

**DESCRIPTION**

FIG. 1 is a perspective view of a task chair, looking toward the right front corner, showing my new design;  
FIG. 2 is a front view thereof;  
FIG. 3 is a back view thereof;  
FIG. 4 is a right side elevation view thereof;  
FIG. 5 is a left side elevation view thereof;  
FIG. 6 is a top view thereof; and,  
FIG. 7 is a bottom view thereof.

**1 Claim, 4 Drawing Sheets**



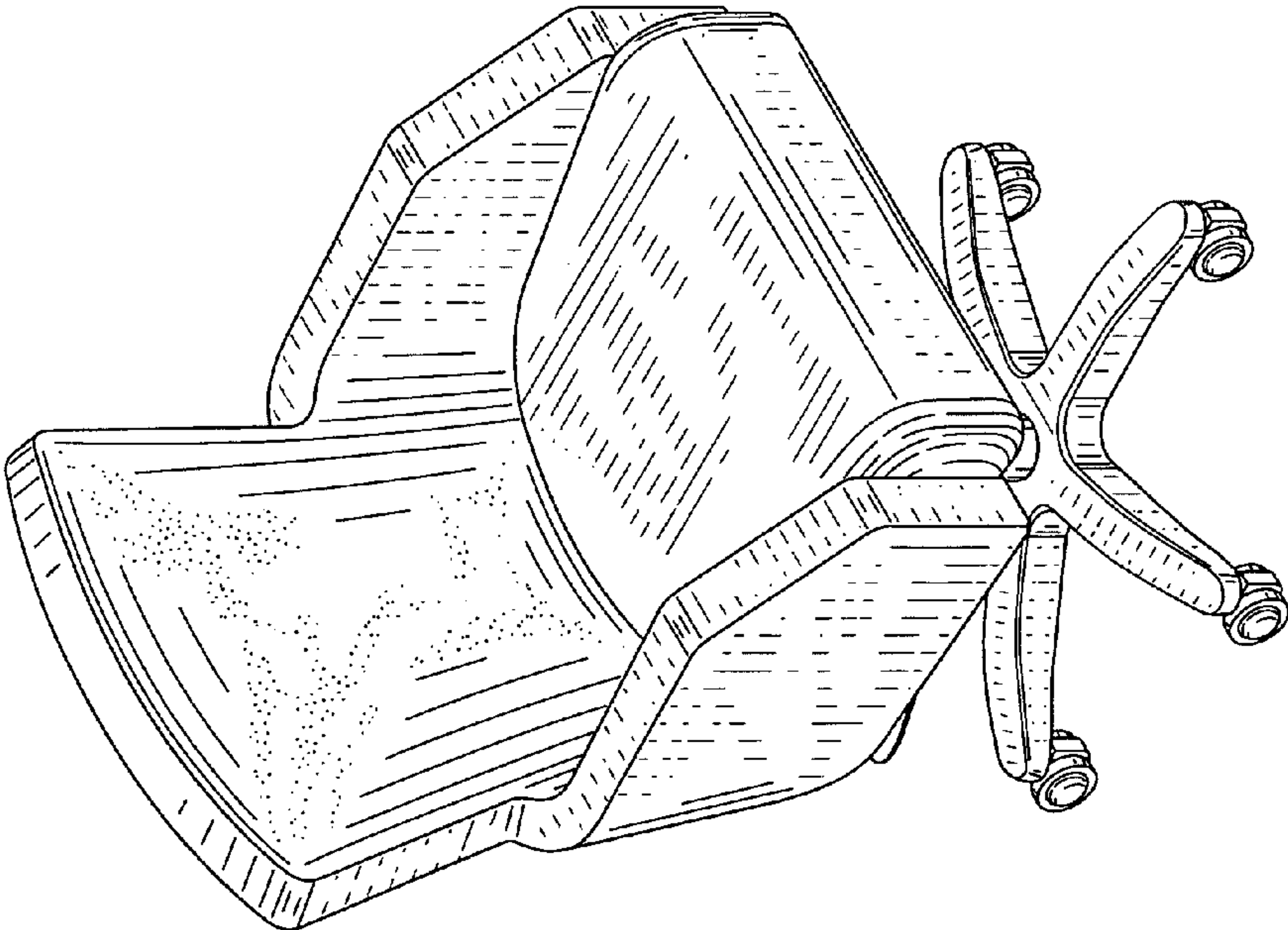


FIG. 1

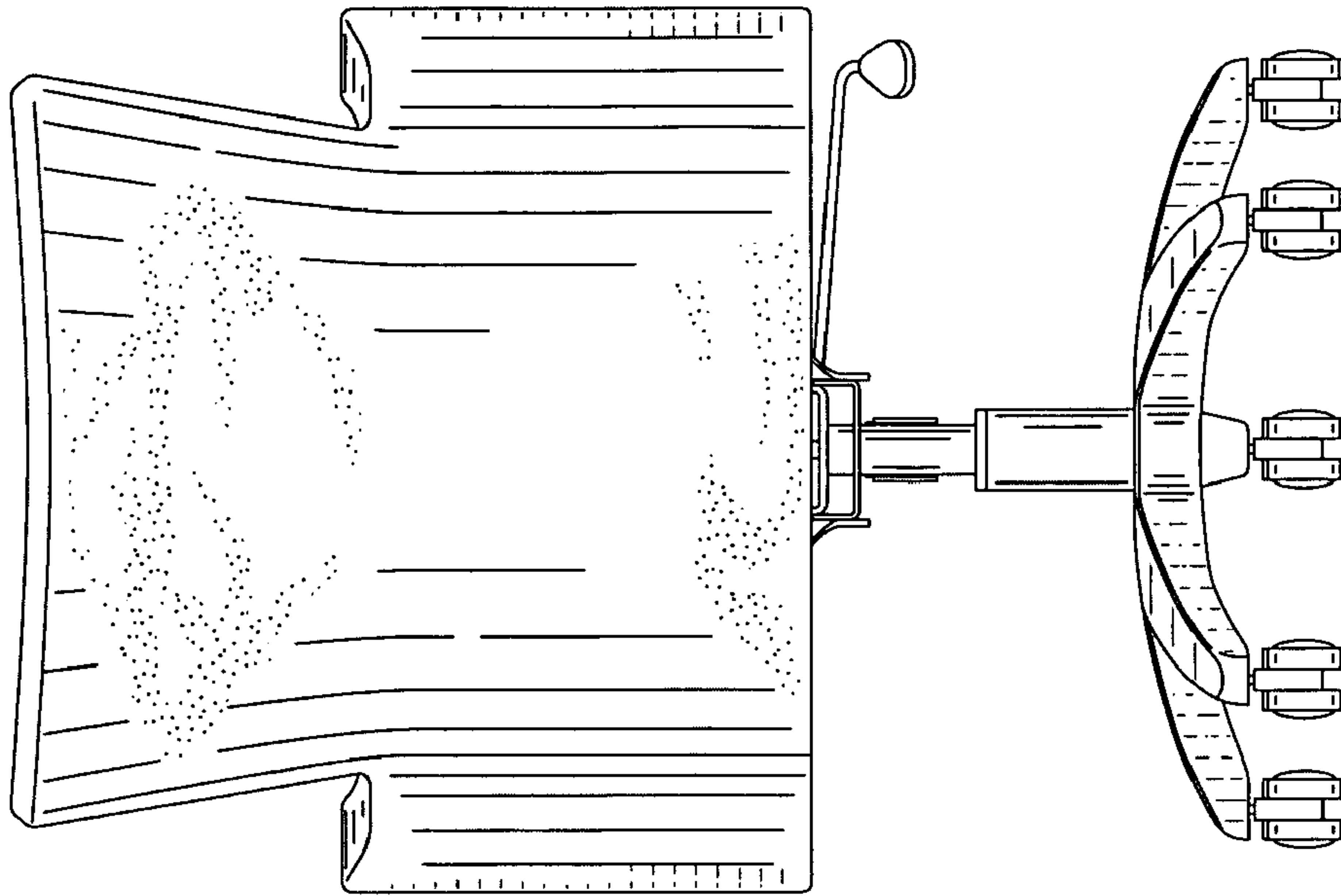


FIG. 3

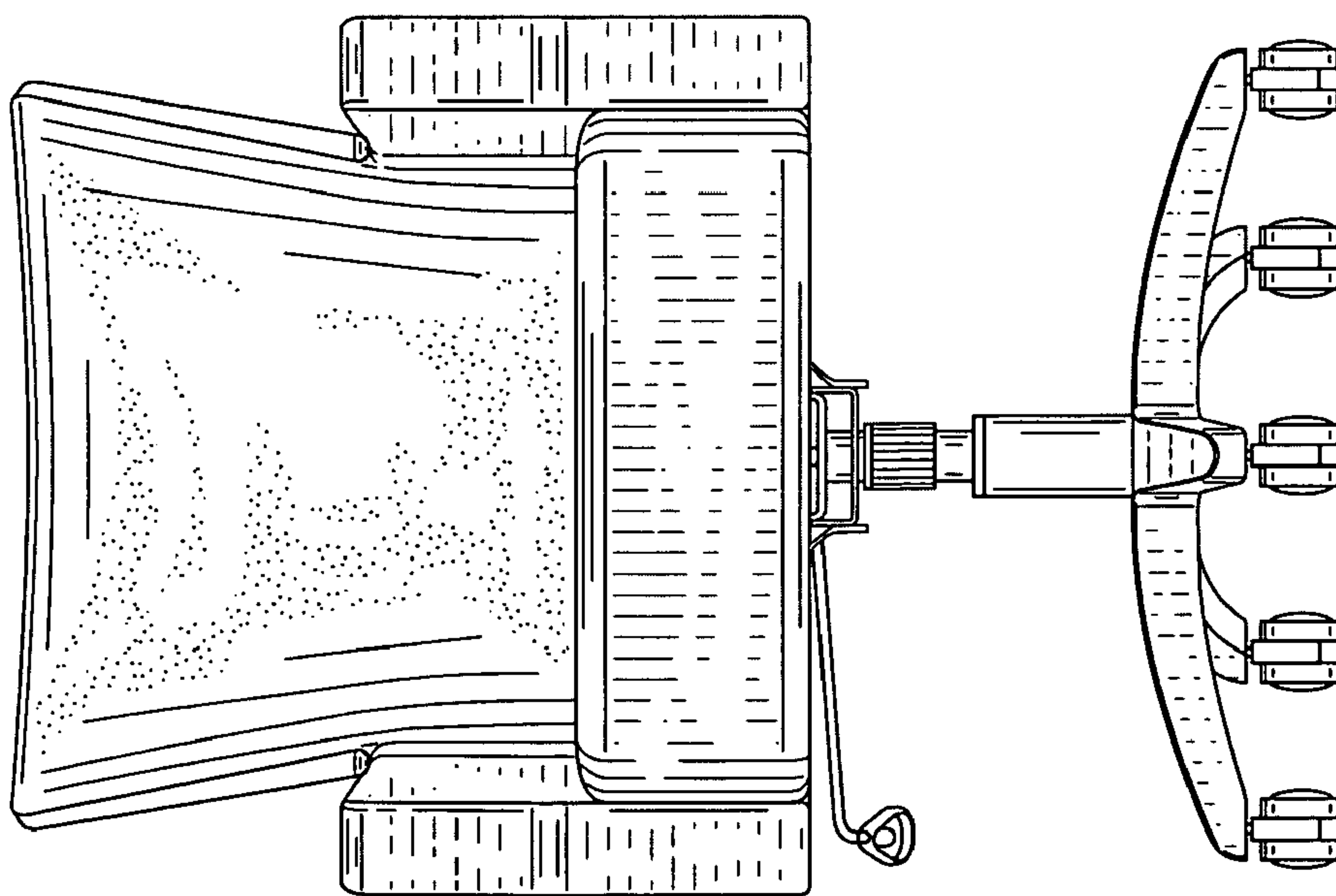


FIG. 2

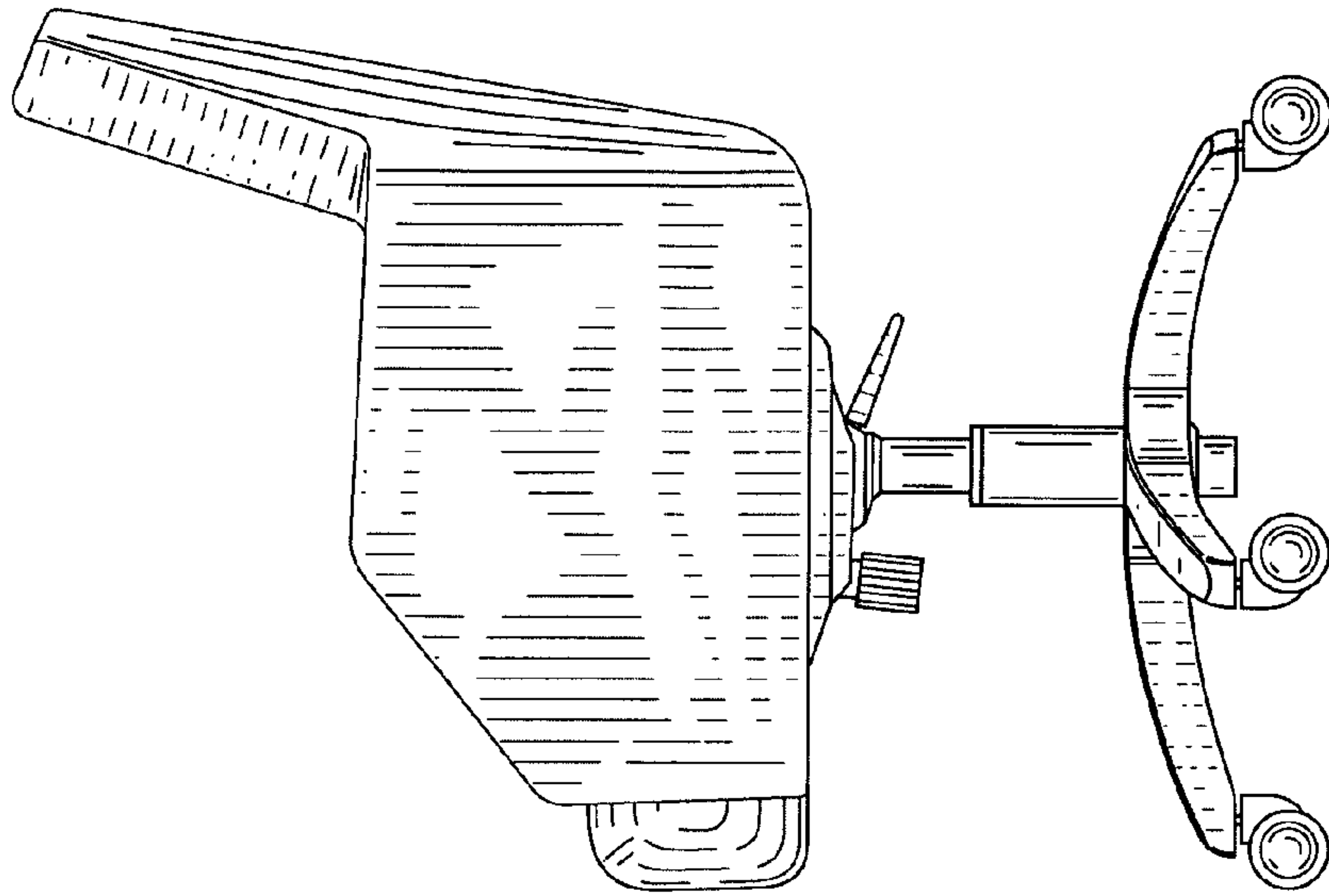


FIG. 5

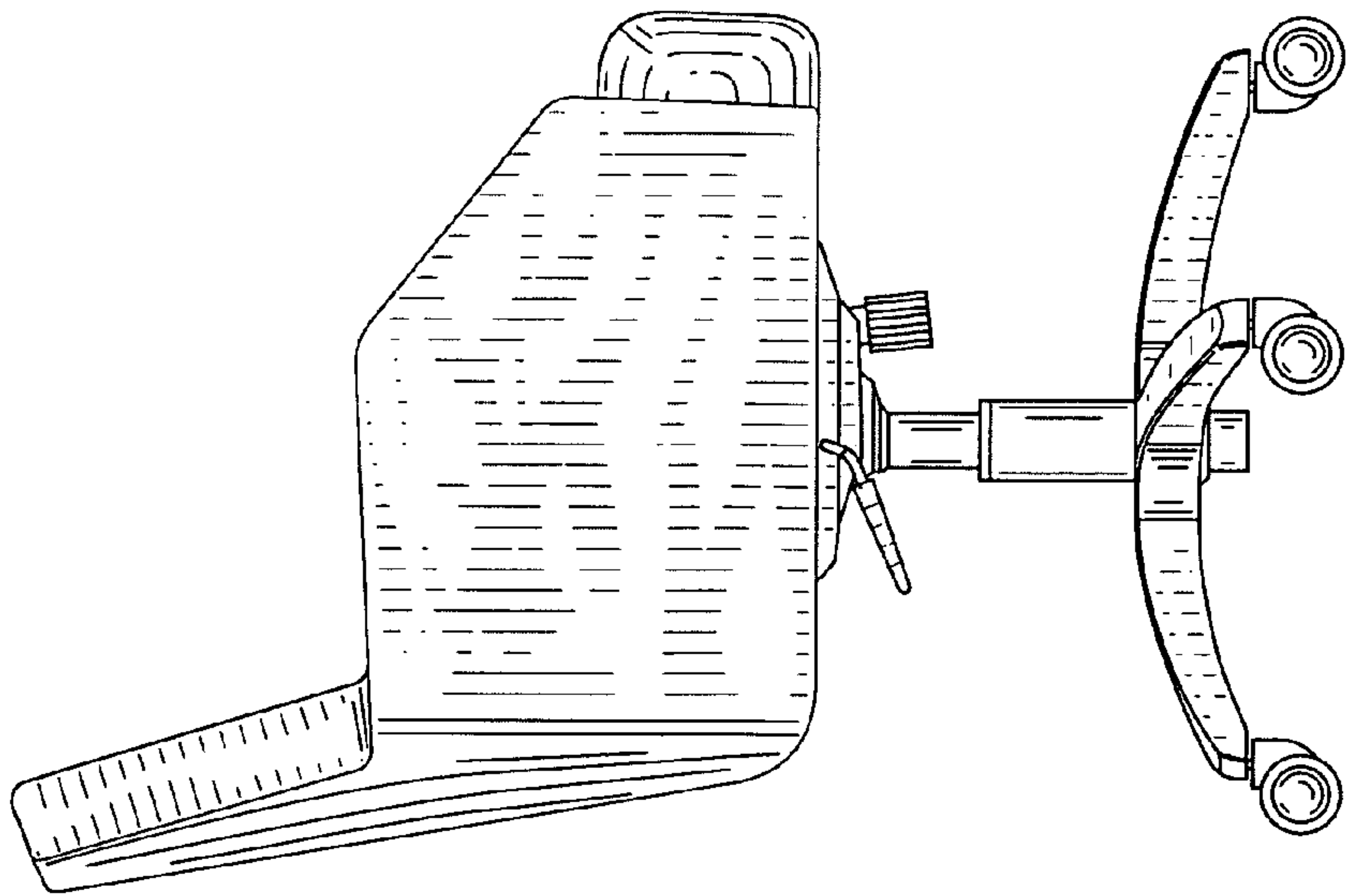


FIG. 4

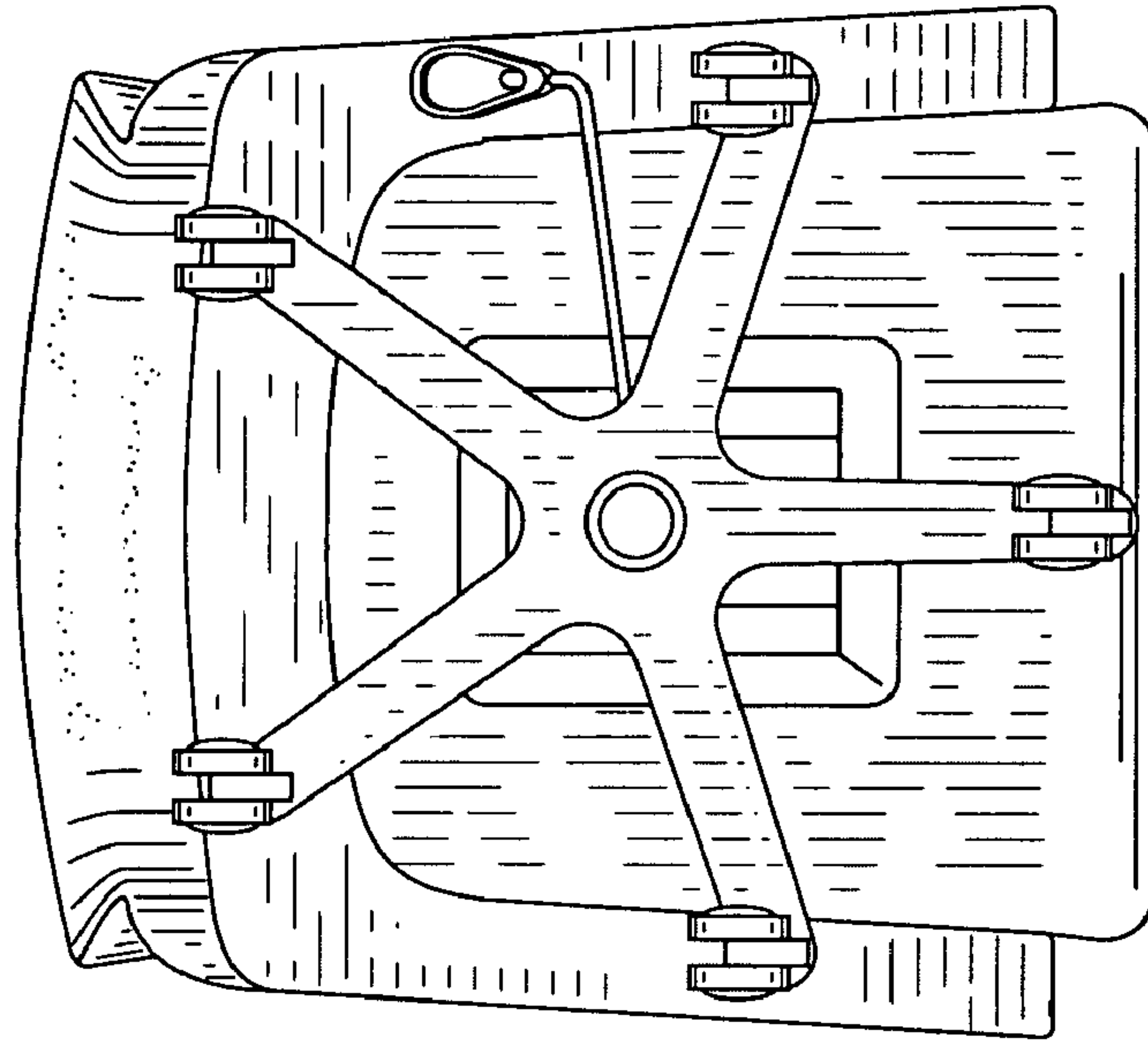


FIG. 7

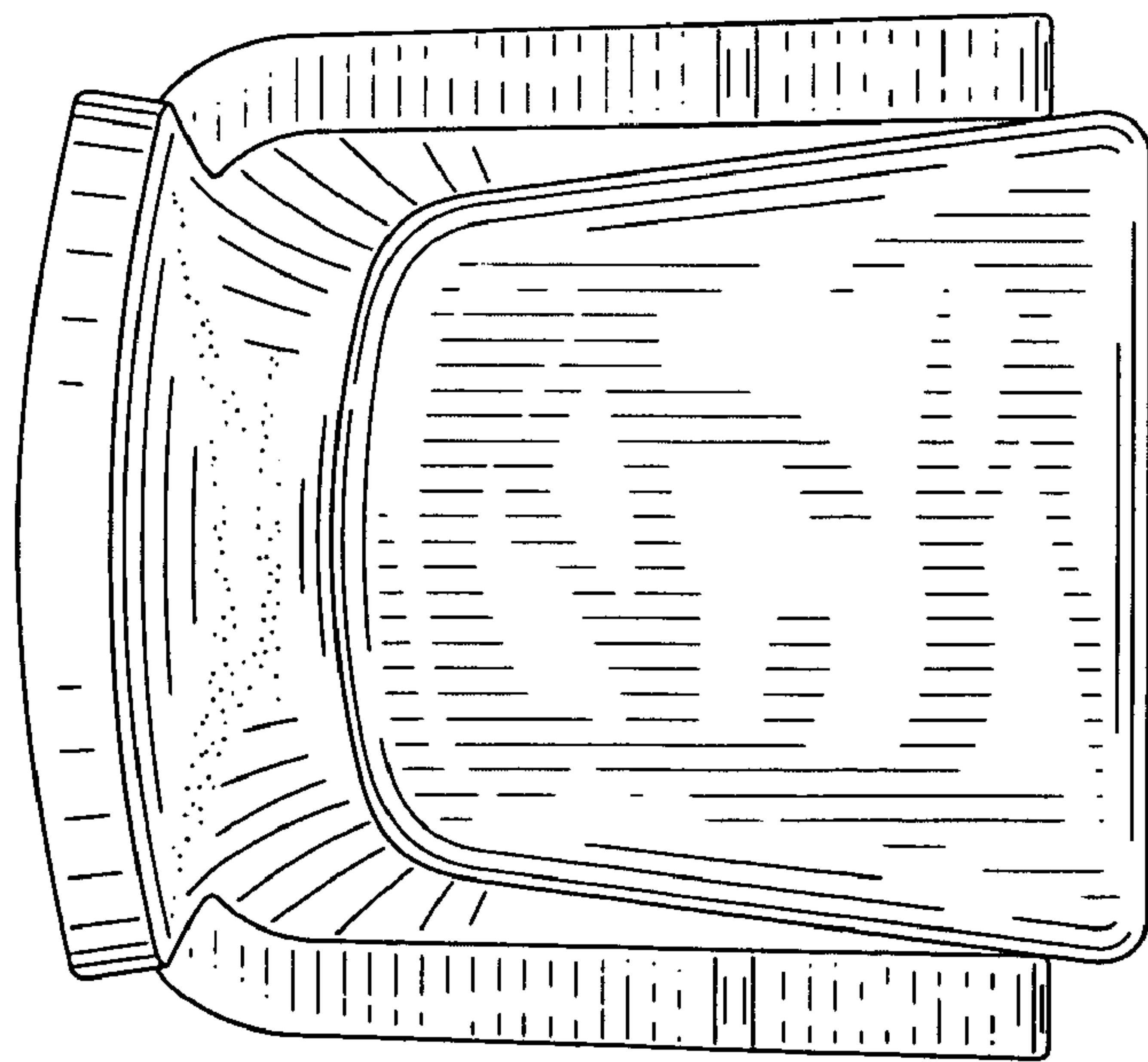


FIG. 6