



US00D647714S

(12) **United States Design Patent**
Hoyord et al.

(10) **Patent No.:** **US D647,714 S**
(45) **Date of Patent:** **** Nov. 1, 2011**

(54) **CHAISE LOUNGE**

(75) Inventors: **Daniel Joseph Hoyord**, St. Paul, MN (US); **Sara Lynne Pedersen**, Minneapolis, MN (US); **Stephanie Ann Grotta**, Minneapolis, MN (US); **Joshua Alan Hughes**, Delano, MN (US)

(73) Assignee: **Target Brands, Inc.**, Minneapolis, MN (US)

(**) Term: **14 Years**

(21) Appl. No.: **29/393,937**

(22) Filed: **Jun. 10, 2011**

(51) **LOC (9) Cl.** **06-01**

(52) **U.S. Cl.** **D6/361; D6/369**

(58) **Field of Classification Search** D6/334–336,
D6/361, 367, 368, 369, 370, 371–373, 374,
D6/500–502; 297/377, 353, 354.1, 423.1,
297/451.9, 452.63, 452.64; 5/12.1, 652,
5/656, 657

See application file for complete search history.

(56) **References Cited**

U.S. PATENT DOCUMENTS

D473,388 S *	4/2003	Hutton	D6/361
D531,828 S *	11/2006	Frinier	D6/361
D545,075 S *	6/2007	Hunziker	D6/361
D545,581 S *	7/2007	Gower	D6/361
D554,872 S	11/2007	Wimberger		
D572,922 S *	7/2008	Frinier	D6/361

OTHER PUBLICATIONS

Henry Link Matching Sofa and Table Set, http://cgi.ebay.com/HENRY-LINK-WICKER-SETTEE-AND-GLASS-TOP-END-TABLE-MINT/170572554451?pt=Antiques_Furniture&hash=item27b6eaa0d3, Printed Mar. 17, 2011.

Restoration Hardware Hampshire Collection, <http://www.restorationhardware.com/catalog/category/products.jsp?link=Hampshire&categoryId=cat1696020>, printed Jun. 7, 2011.

Restoration Hardware Hampshire Collection 2, http://images.restorationhardware.com/content/catalog/tearsheets/Furniture_Hampshire.pdf, printed Jun. 7, 2011.

Summerlin lounge chair with sunbrella stone cushion, <http://www.crateandbarrel.com/outdoor-furniture/outdoor-lounging/summerlin-lounge-chair-with-sunbrella-stone-cushion/s177515>, printed Jun. 7, 2011.

Summerlin complete collection, <http://www.crateandbarrel.com/outdoor-furniture/summerlin-furniture/complete-collection/f42181#>, printed Jun. 7, 2011.

Pottery Barn Palmetto Collection, <http://www.potterybarn.com/shop/outdoor/palmetto-outdoor/?page=viewall>, printed Jun. 7, 2011.

Bouroullec Slow Chair, <http://www.bouroullec.com/>, printed Jun. 7, 2011.

(Continued)

Primary Examiner — Mimosa De

(74) *Attorney, Agent, or Firm* — Leanne Taveggia Farrell; Westman, Champlin & Kelly, P.A.

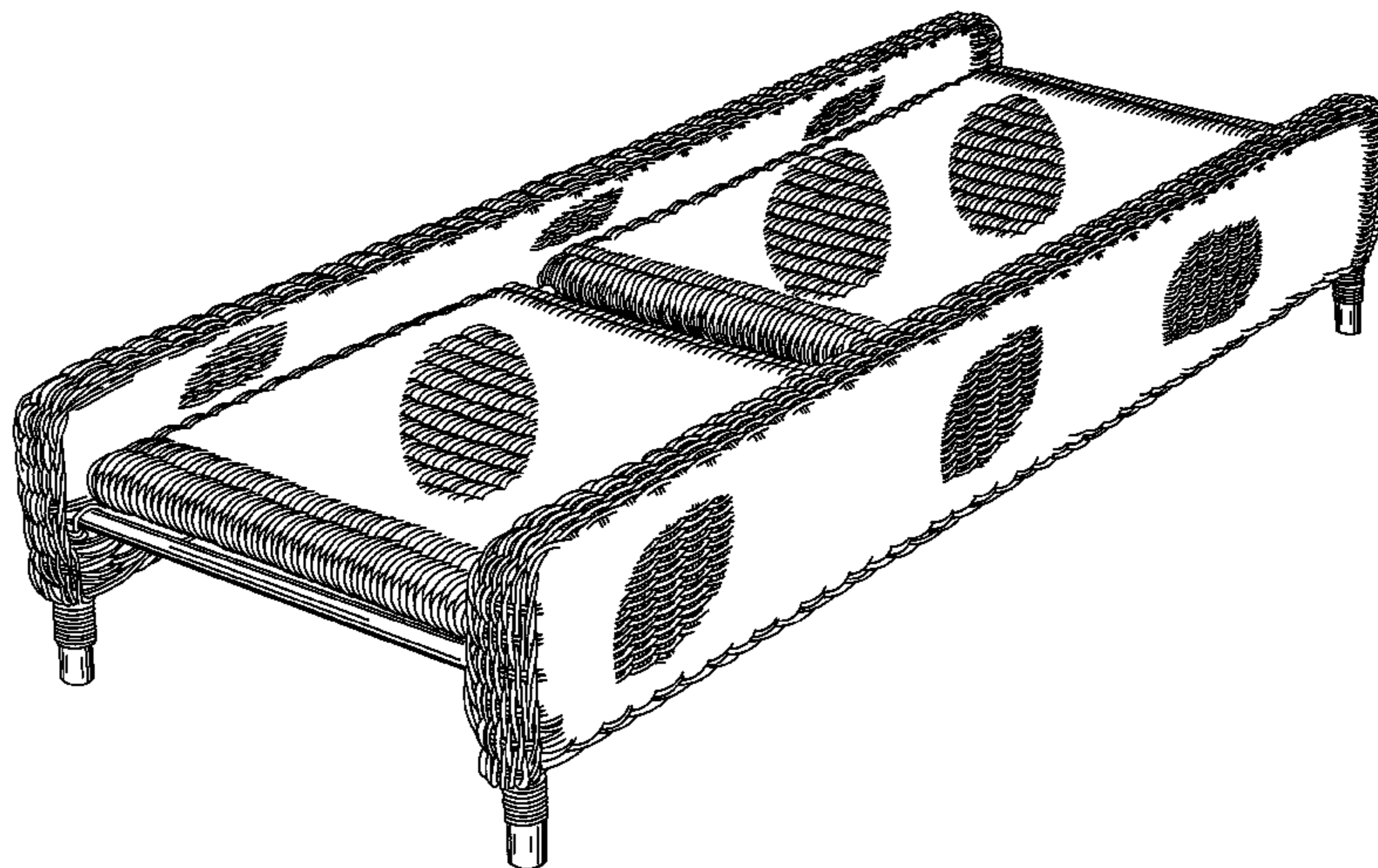
(57) **CLAIM**

The ornamental design for a chaise lounge, as shown and described.

DESCRIPTION

FIG. 1 is a perspective view of the chaise lounge.
FIG. 2 is a left side view of the chaise lounge of FIG. 1.
FIG. 3 is a right side view of the chaise lounge of FIG. 1.
FIG. 4 is a front elevational view of the chaise lounge of FIG. 1.
FIG. 5 is a rear elevational view of the chaise lounge of FIG. 1.
FIG. 6 is a top view of the chaise lounge of FIG. 1; and, FIG. 7 is a bottom view of the chaise lounge of FIG. 1.
The dashed lines of FIG. 2-7 form no part of the claimed design.
The fragmented depictions of weave pattern shown in the views are understood to repeat throughout the areas shown.

1 Claim, 5 Drawing Sheets



OTHER PUBLICATIONS

Hemisphere rounded outdoor furniture from dedon, <http://www.modresdes.com/2010/05/hemisphere-rounded-outdoor-furniture-from-dedon/>, May 24, 2010.

Siesta Wicker Rattan Coffee Table Set, <http://www.newageoutdoors.com.au/xcart/product.php?productid=17533>, printed Feb. 8, 2011.

Toulon Wicker Ottoman/Coffee, http://www.patiofurnitureusa.com/patio-tables/coffee-tables/wickerottomancoffeeable.cfm?TID=OKC038-2&source=channel_intelligence_jellyfish&src-

code=cii_18492716&cpncode=21-117880058-2, printed Jun. 6, 2011.

Zerk ING outdoor wicker furniture, <http://www.ecvv.com/product/2841760.html>, printed Feb. 8, 2011.

Gloster Horizon Club Side Table 24 Round, <http://www.authenteak.com/End-and-Side-Tables/Gloster-Horizon-Club-Side-Table-24-Round.asp>, printed Feb. 8, 2011.

Henry Link Chair, found in a U.S. residence before Mar. 10, 2011.

Wicker lounge Chair, Elle Decoration UK, issue #216, Aug. 2010.

* cited by examiner

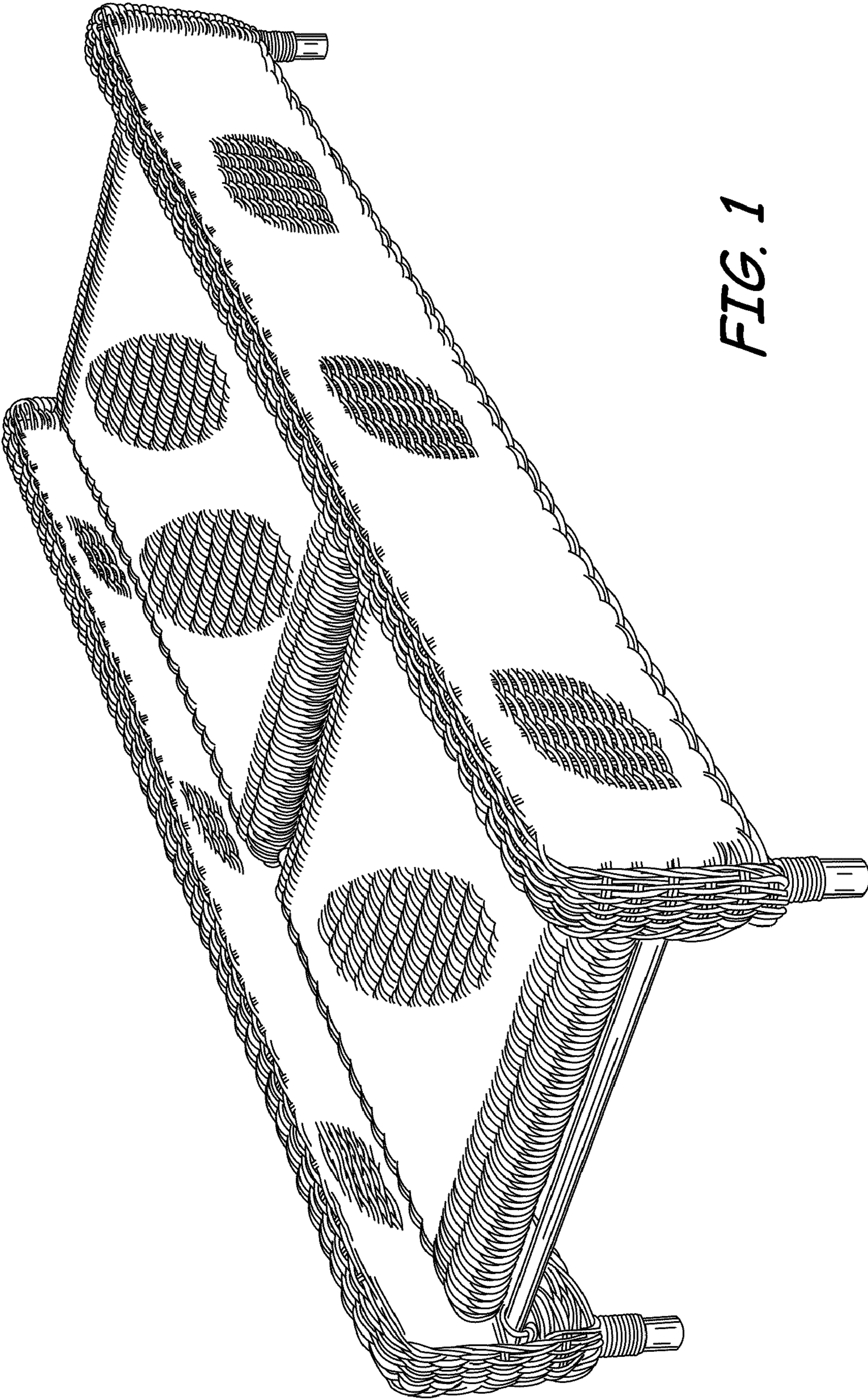


FIG. 1

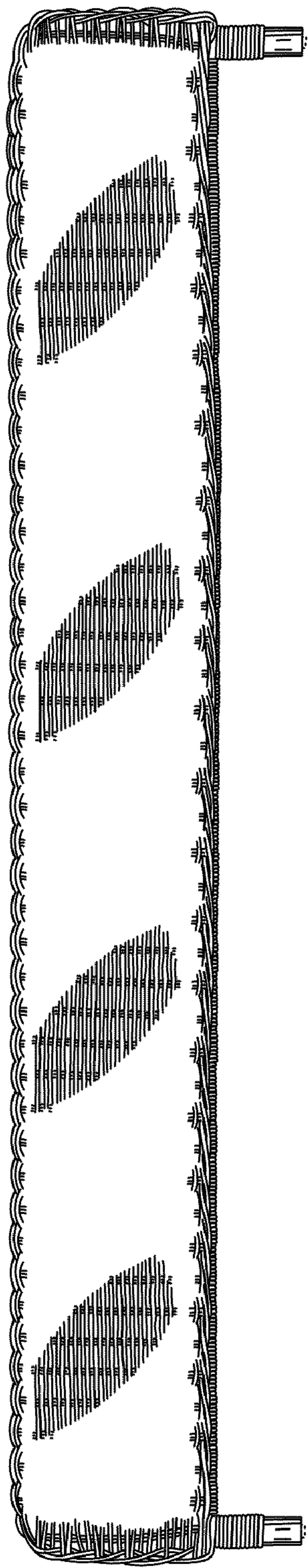


FIG. 2

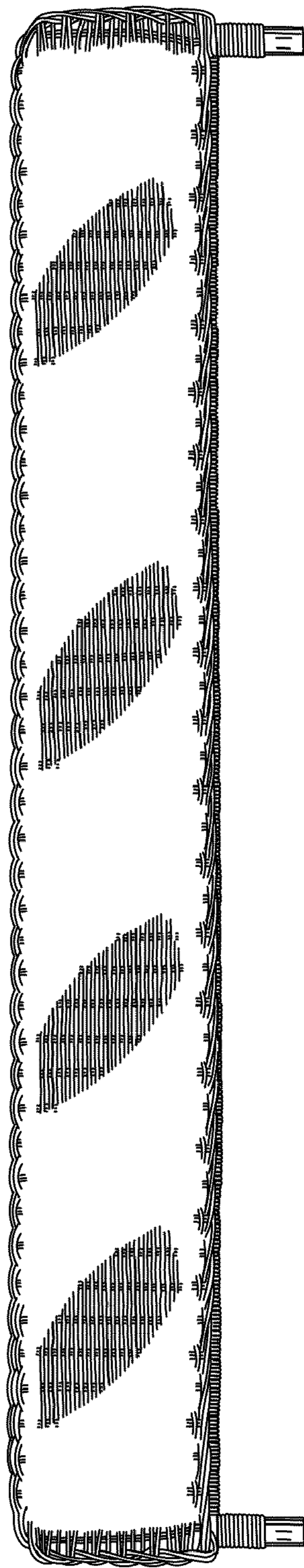


FIG. 3

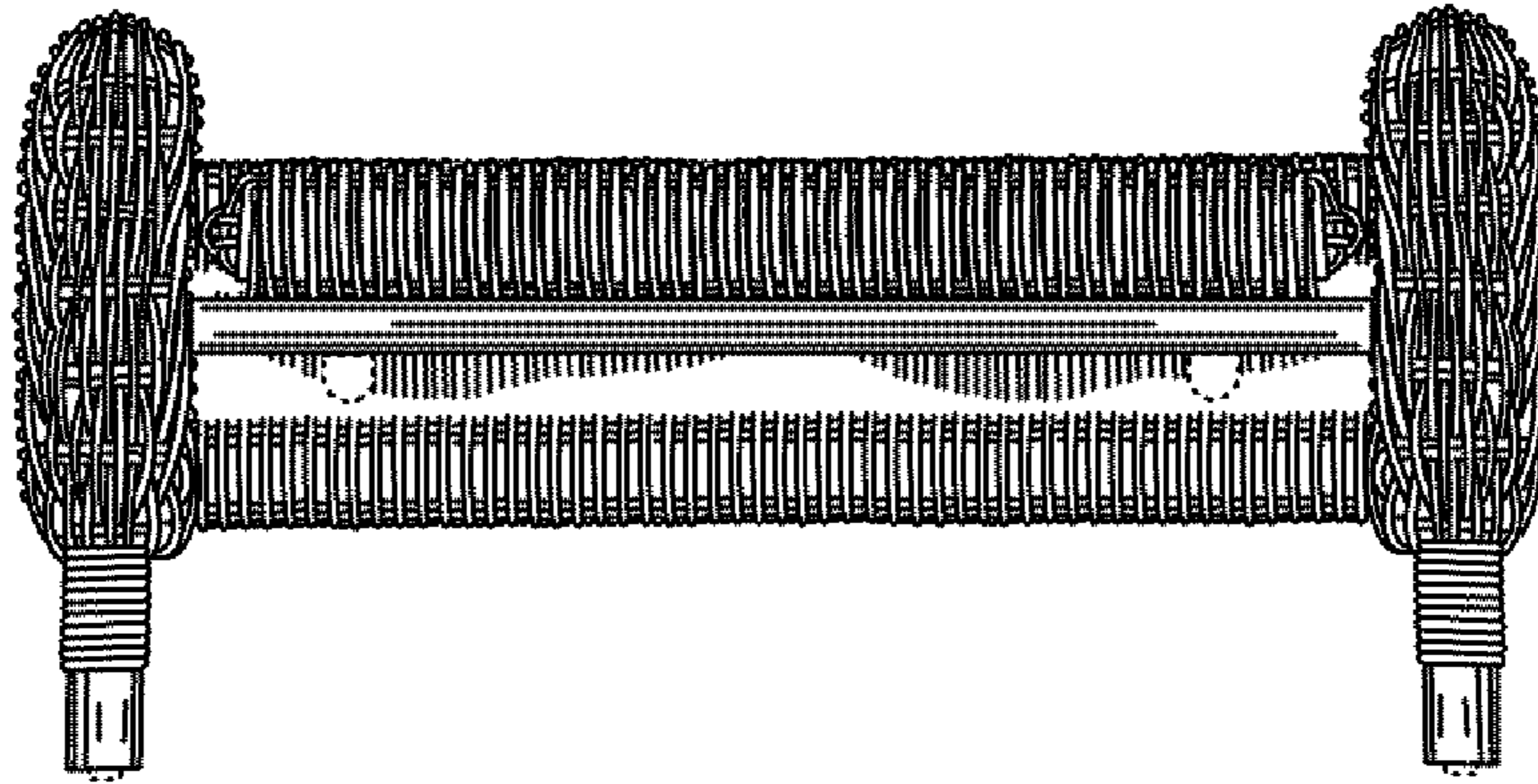


FIG. 4

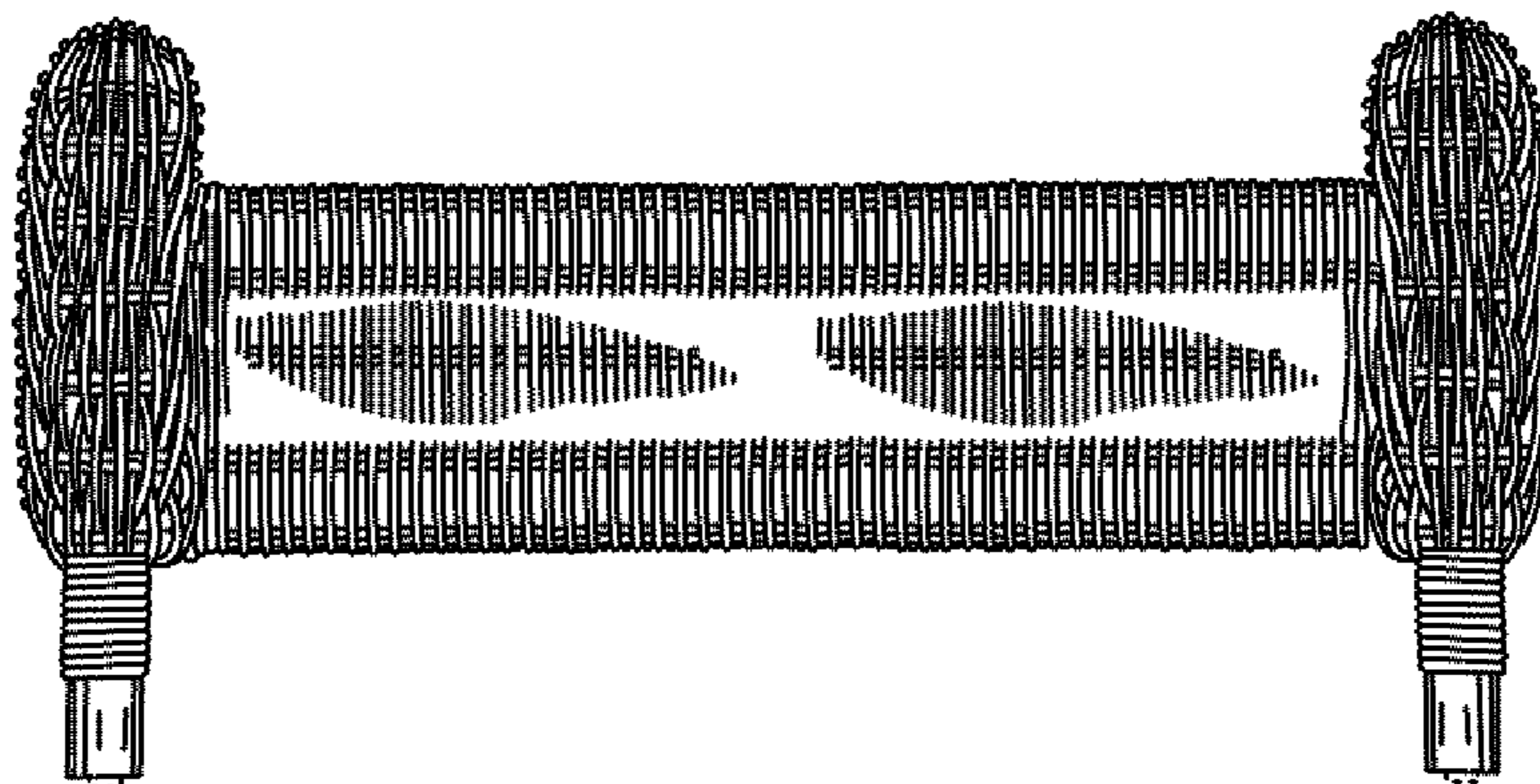


FIG. 5

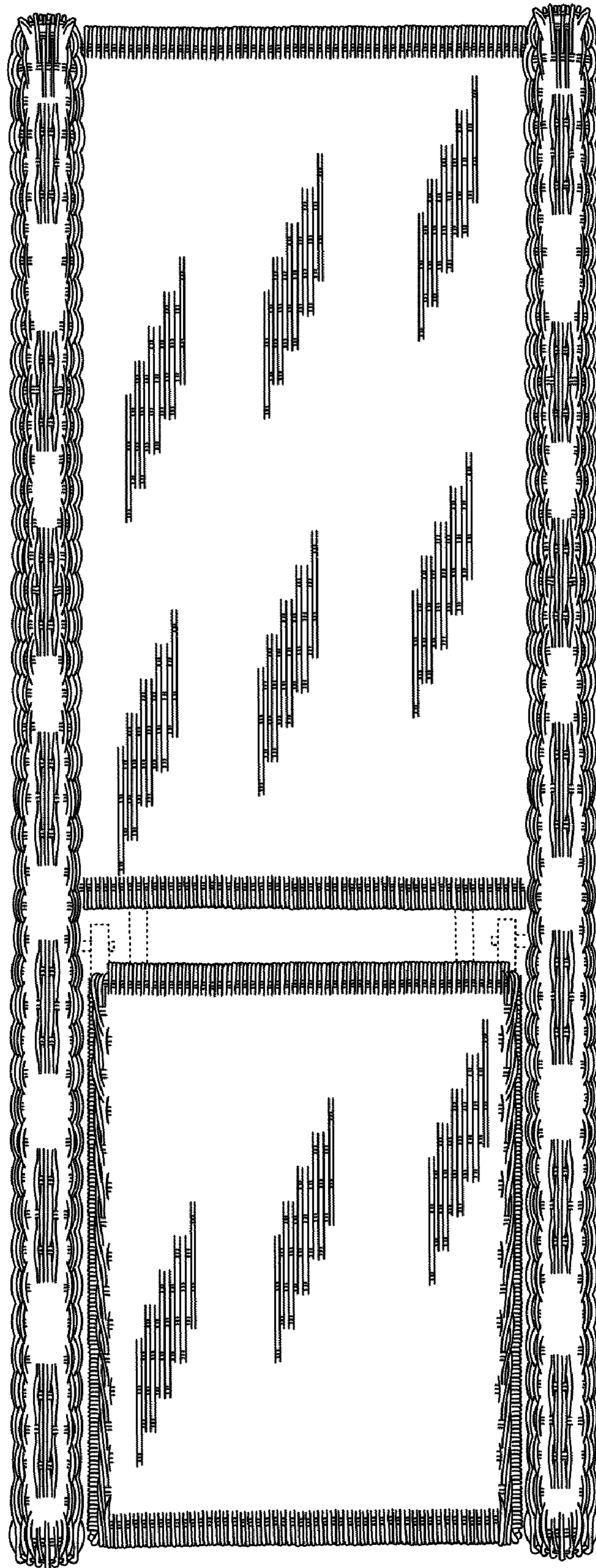


FIG. 6

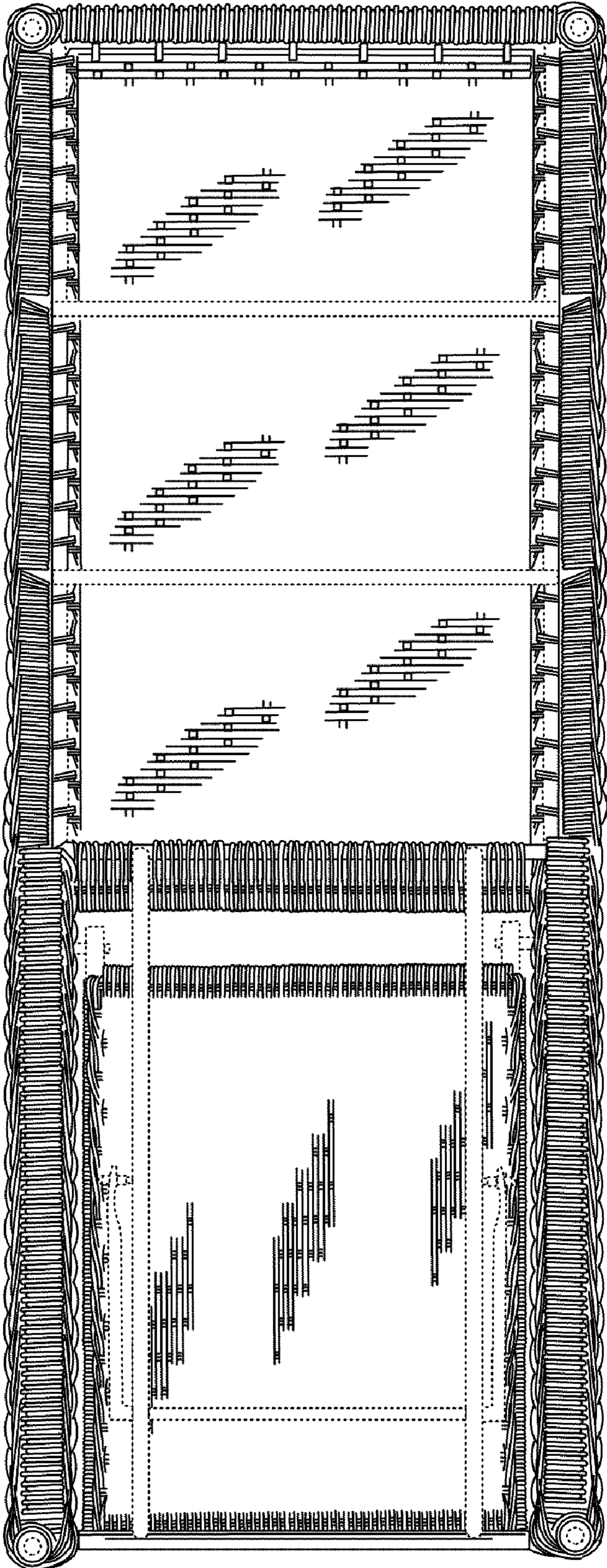


FIG. 7