



US00D647712S

(12) **United States Design Patent**
Supple

(10) **Patent No.:** **US D647,712 S**
(45) **Date of Patent:** **** Nov. 1, 2011**

(54) **BASEBALL BAT ROCKING CHAIR**

(75) Inventor: **Daniel Joseph Supple**, Astoria, OR (US)

(73) Assignee: **Daniel J. Supple**, Astoria, OR (US)

(**) Term: **14 Years**

(21) Appl. No.: **29/348,789**

(22) Filed: **Feb. 9, 2010**

(51) **LOC (9) Cl.** **06-01**

(52) **U.S. Cl.** **D6/345**

(58) **Field of Classification Search** D6/334–335,
D6/351, 356, 358–360, 374–375, 379–380,
D6/388, 500–502; 297/181, 445.1, 447.4,
297/448.2

See application file for complete search history.

(56) **References Cited**

U.S. PATENT DOCUMENTS

D287,672 S *	1/1987	Holl	D6/370
D313,320 S *	1/1991	Fisher	D6/348
D349,411 S *	8/1994	Marriott et al.	D6/358
D352,611 S *	11/1994	Deardorff	D6/348
D384,830 S *	10/1997	Daniel	D6/388
D418,327 S *	1/2000	Sullins et al.	D6/406.3
6,050,200 A *	4/2000	Sullins et al.	108/43
D424,823 S *	5/2000	Taylor et al.	D6/358
D426,079 S *	6/2000	Levy	D6/348
D434,917 S *	12/2000	Yang	D6/358
D443,999 S *	6/2001	Cable	D6/406.4
D445,268 S *	7/2001	Taylor et al.	D6/351
D456,156 S *	4/2002	Prodinger	D6/348
D459,597 S *	7/2002	Calvey	D6/348
D467,933 S *	12/2002	Hovsepian	D14/458
D481,212 S *	10/2003	Lenardi	D6/358

D499,575 S *	12/2004	Chan	D6/406.3
D507,706 S *	7/2005	Lo	D6/358
D512,245 S *	12/2005	Bean et al.	D6/406.3
D517,833 S *	3/2006	Jennings	D6/406.5
D526,810 S *	8/2006	Lorr et al.	D6/406.5
7,207,540 B2 *	4/2007	Thomas	248/346.01
D546,084 S *	7/2007	Lenardi	D6/358
D552,367 S *	10/2007	Paquette	D6/375
D566,975 S *	4/2008	Lee	D6/348
D575,077 S *	8/2008	Kessels	D6/406.3
D578,314 S *	10/2008	Kalaouze	D6/348
D580,197 S *	11/2008	Lee	D6/500
D583,164 S *	12/2008	Jennings	D6/406.6
D597,325 S *	8/2009	Lee	D6/348
D609,027 S *	2/2010	Jennings	D6/406.5
D615,312 S *	5/2010	Yu et al.	D6/359
D619,823 S *	7/2010	Jennings	D6/406.3
D624,922 S *	10/2010	Hui et al.	D14/447

* cited by examiner

Primary Examiner — Elizabeth Albert

Assistant Examiner — Kelley Donnelly

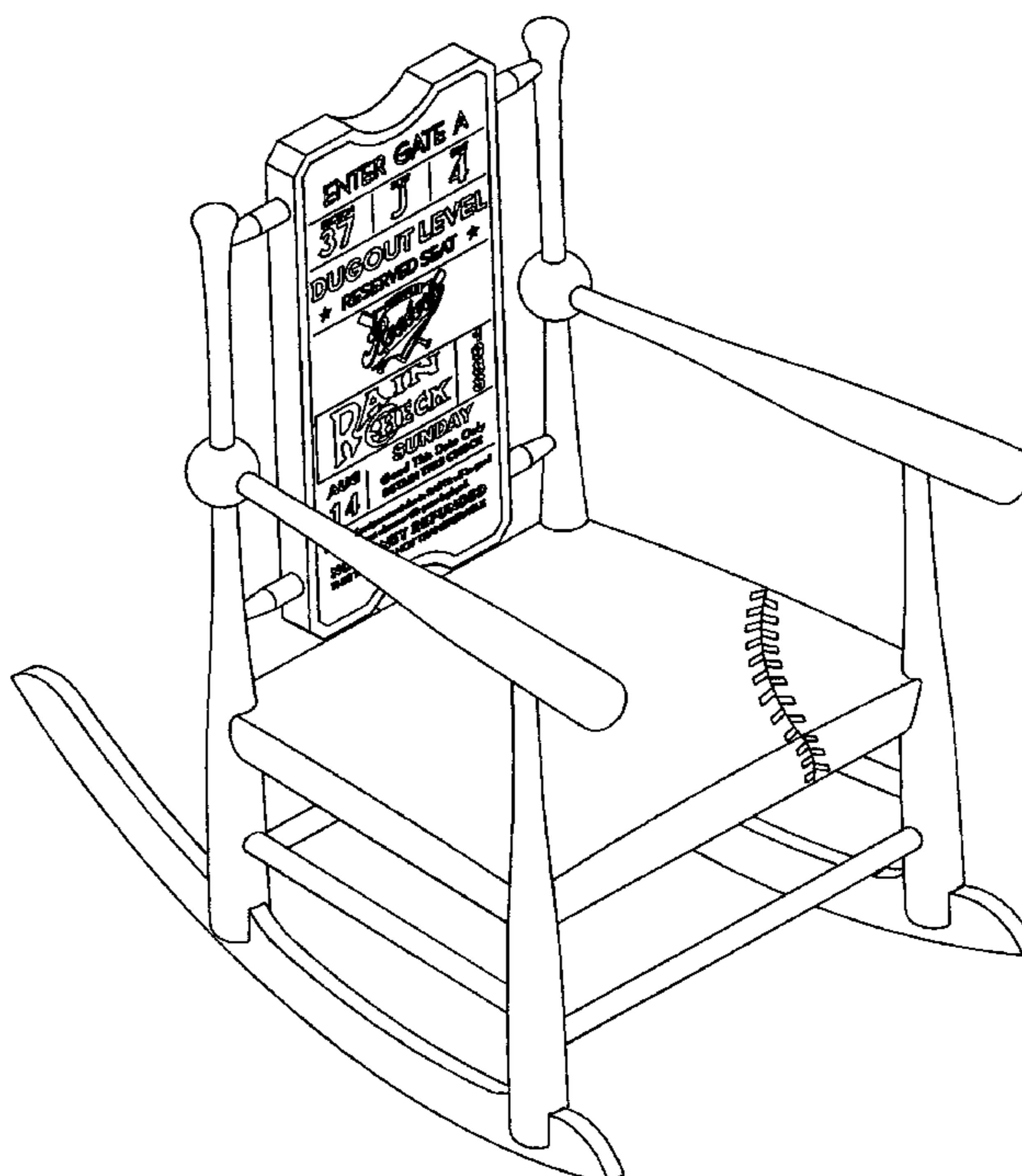
(57) **CLAIM**

The ornamental design for a baseball bat rocking chair, as shown and described.

DESCRIPTION

FIG. 1 is a front elevational view of a baseball bat rocking chair showing my new design;
FIG. 2 is a rear elevational view thereof;
FIG. 3 is a top plan view thereof;
FIG. 4 is a bottom plan view thereof;
FIG. 5 is a right side elevational view thereof, the left side being a mirror image; and,
FIG. 6 is a perspective view thereof.

1 Claim, 6 Drawing Sheets



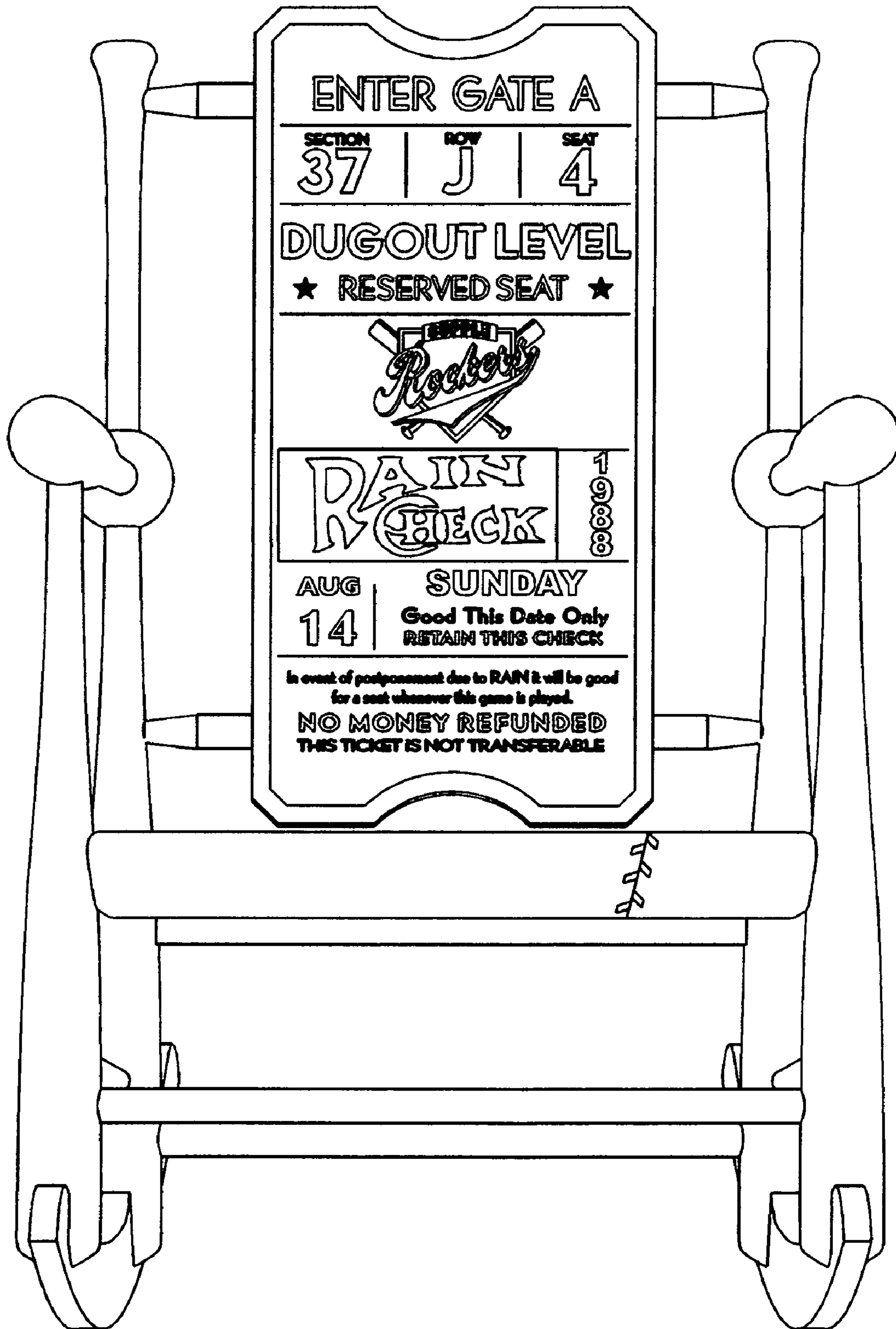


Fig. 1

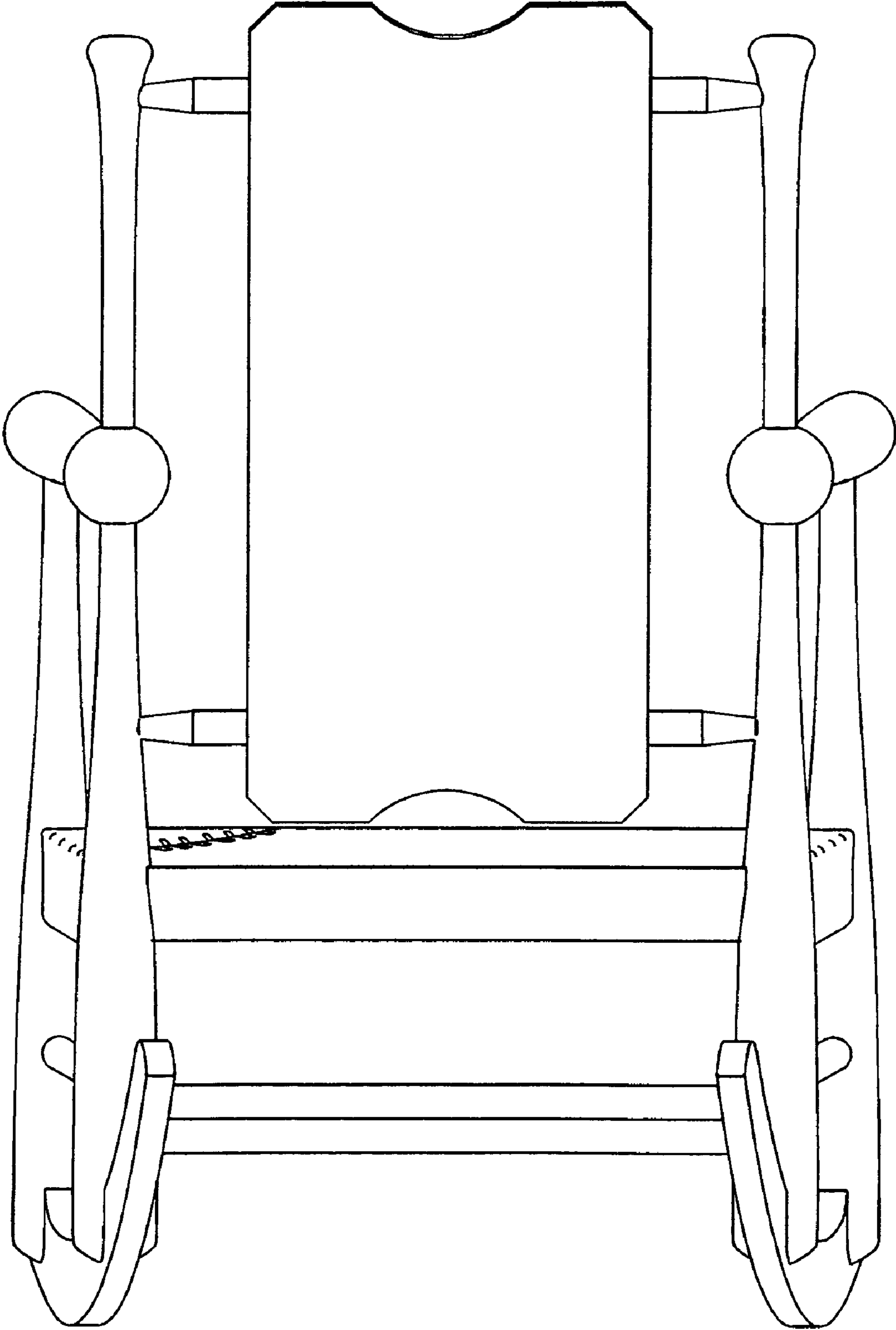


Fig. 2

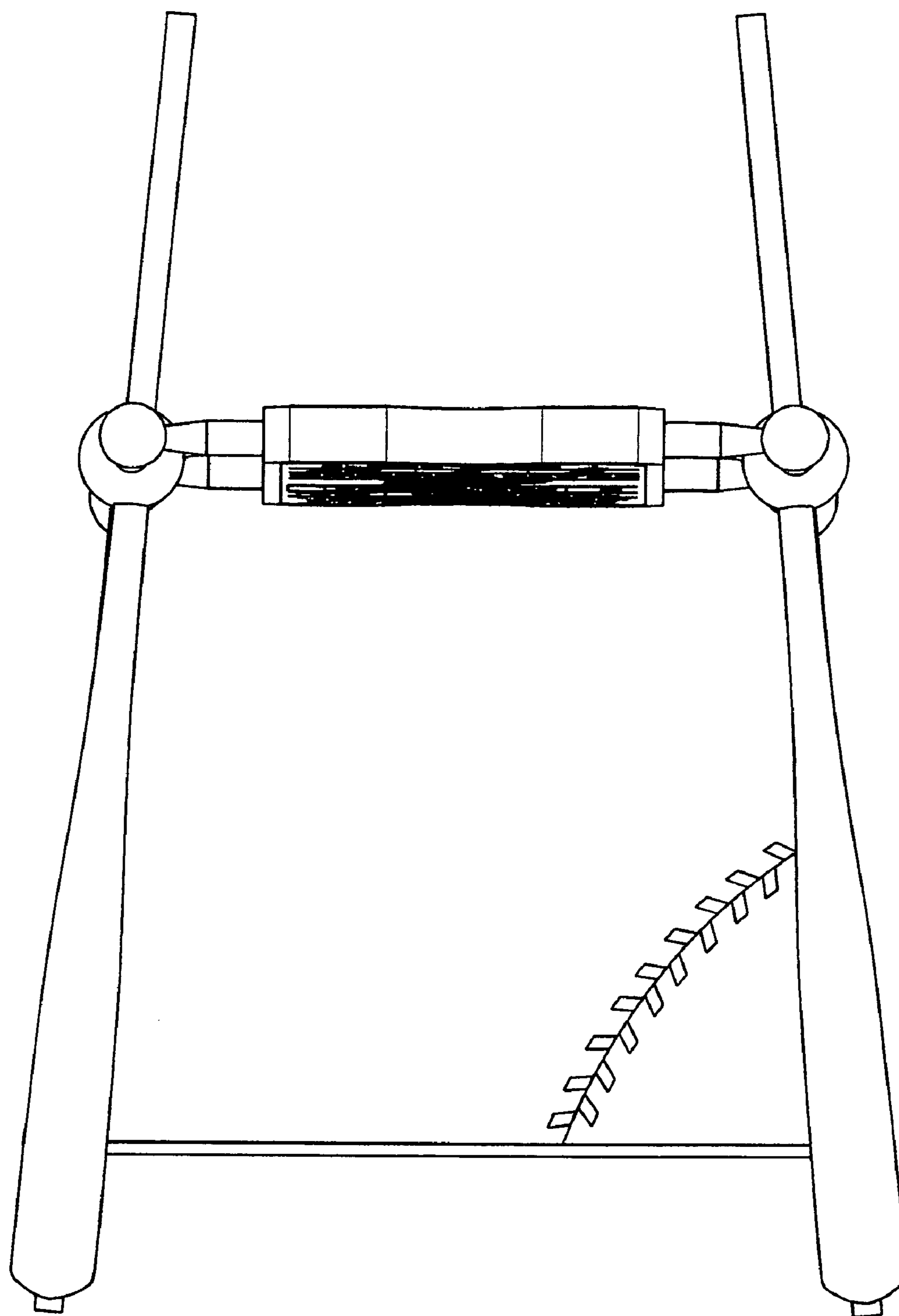


Fig. 3

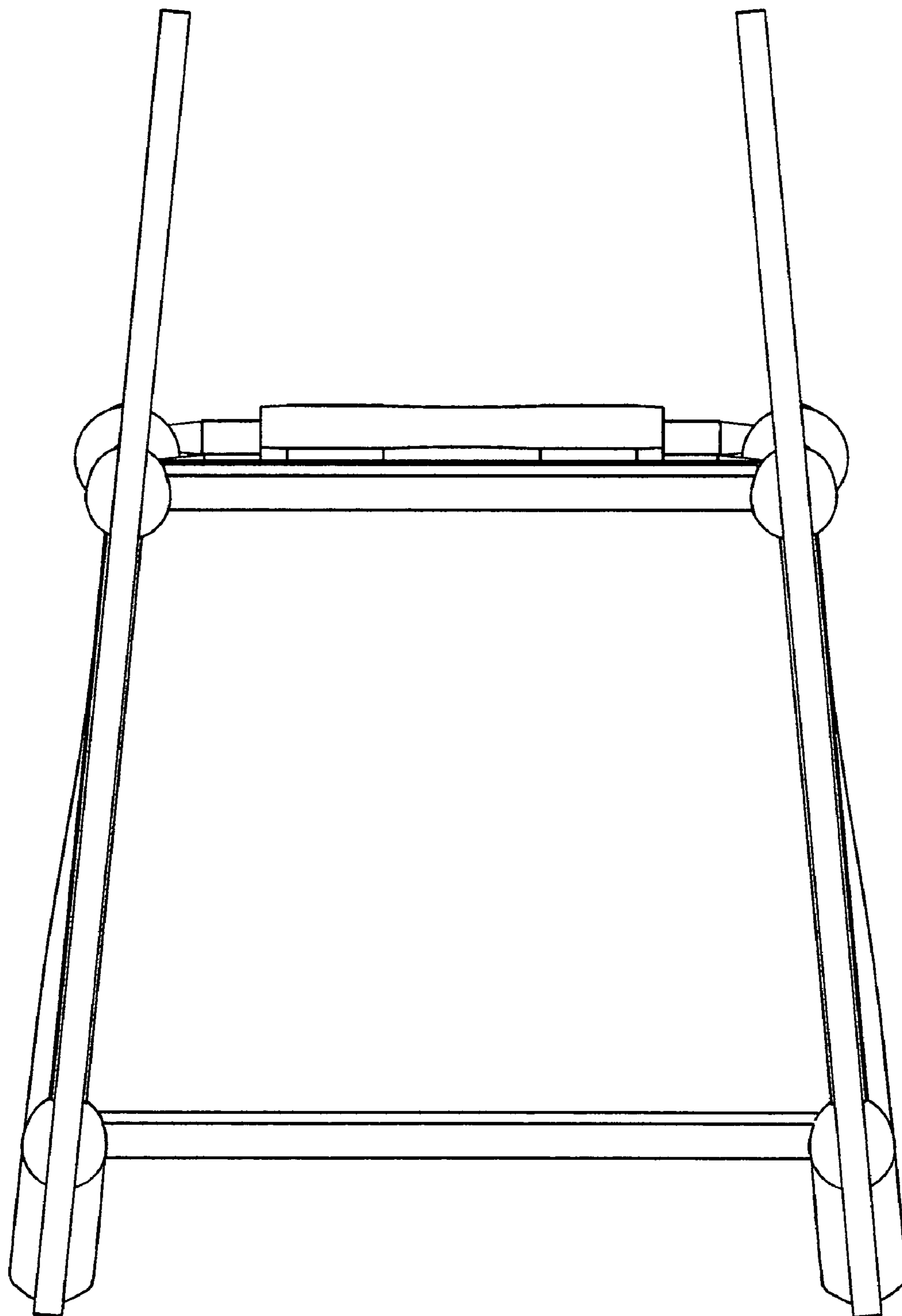


Fig. 4

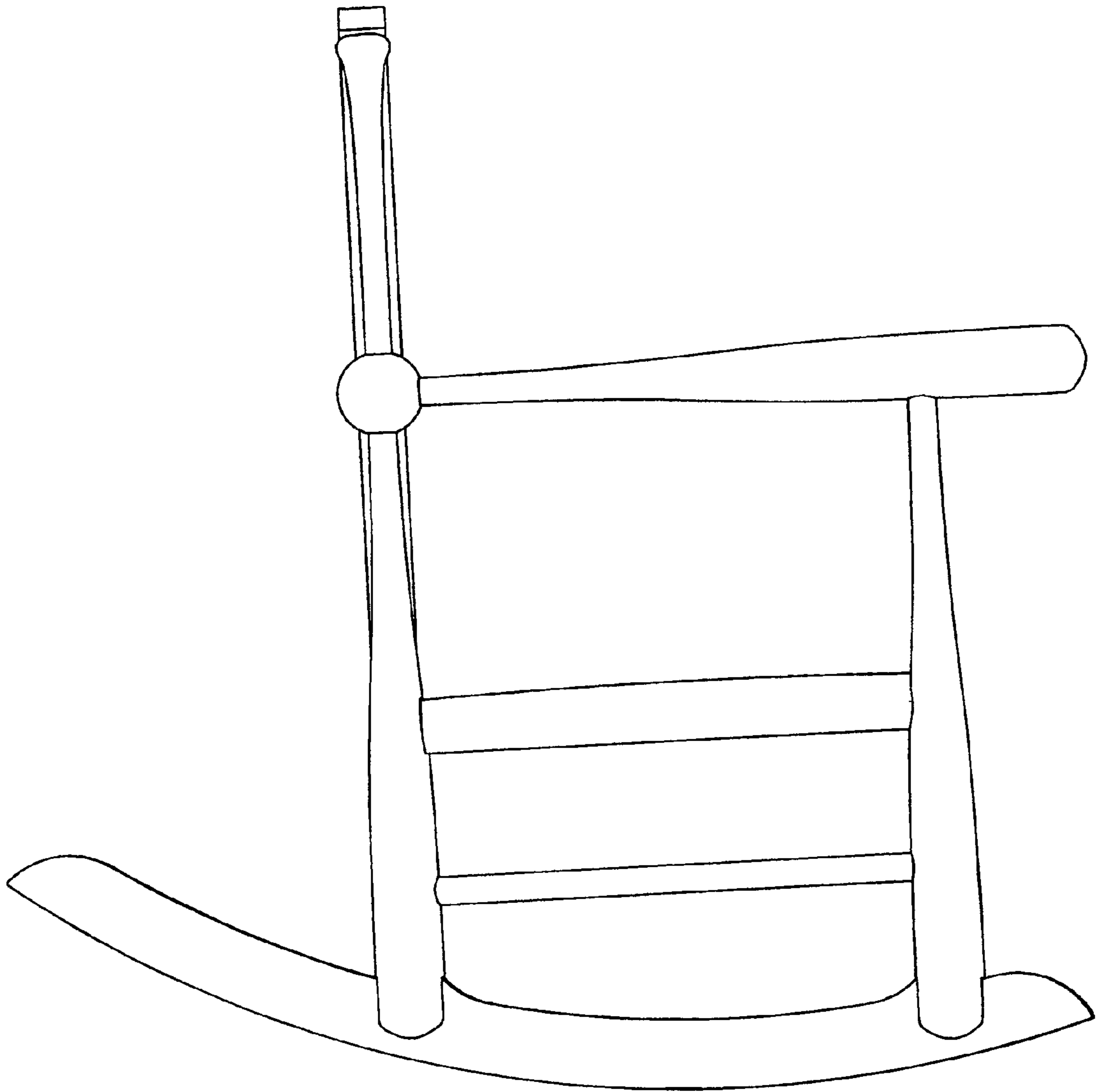


Fig. 5

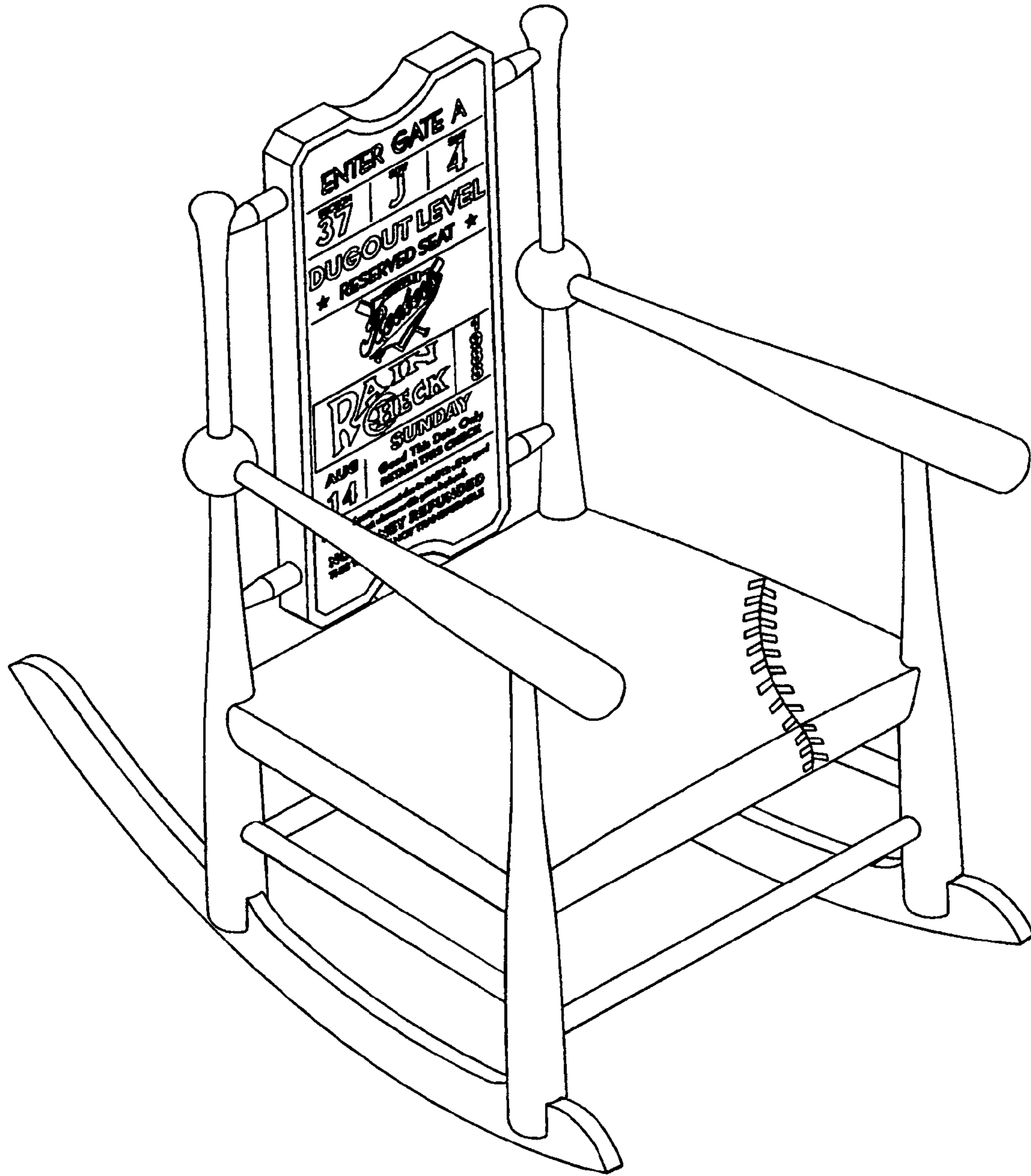


Fig. 6