



US00D647710S

(12) **United States Design Patent**
Anderson

(10) **Patent No.:** **US D647,710 S**

(45) **Date of Patent:** **** Nov. 1, 2011**

(54) **COMBINATION HEADWEAR/APPAREL DISPLAY**

4,316,547 A *	2/1982	Varon	211/105.1
D307,359 S *	4/1990	White	D6/323
6,431,374 B1 *	8/2002	Winikoff	211/105.1
D503,046 S *	3/2005	Caiazzo	D6/327
D604,518 S *	11/2009	Scott et al.	D6/320

(75) Inventor: **Eric Anderson**, Coto de Caza, CA (US)

(73) Assignee: **Scorpion Sports, Inc.**, Lake Forest, CA (US)

(**) Term: **14 Years**

(21) Appl. No.: **29/377,269**

(22) Filed: **Oct. 19, 2010**

* cited by examiner

Primary Examiner — Prabhakar Deshmukh

(74) *Attorney, Agent, or Firm* — Stetina Brunda Garred & Brucker

Related U.S. Application Data

(63) Continuation of application No. 12/122,345, filed on May 16, 2008, now abandoned.

(51) **LOC (9) Cl.** **06-08**

(52) **U.S. Cl.** **D6/327**

(58) **Field of Classification Search** D6/315–328;
211/30, 32, 85.29, 86.01, 105.1, 123, 124,
211/189, 193, 206; 248/302–307
See application file for complete search history.

(57) **CLAIM**

I claim the ornamental design for a combination headwear/apparel display, as shown and described.

DESCRIPTION

FIG. 1 is a front perspective view of the combination headwear/apparel display showing my new design;
FIG. 2 is a rear perspective view thereof;
FIG. 3 is a top view thereof;
FIG. 4 is a front view thereof;
FIG. 5 is a right side view thereof; the left side being a mirror image;
FIG. 6 is a back view thereof; and,
FIG. 7 is a bottom view thereof.

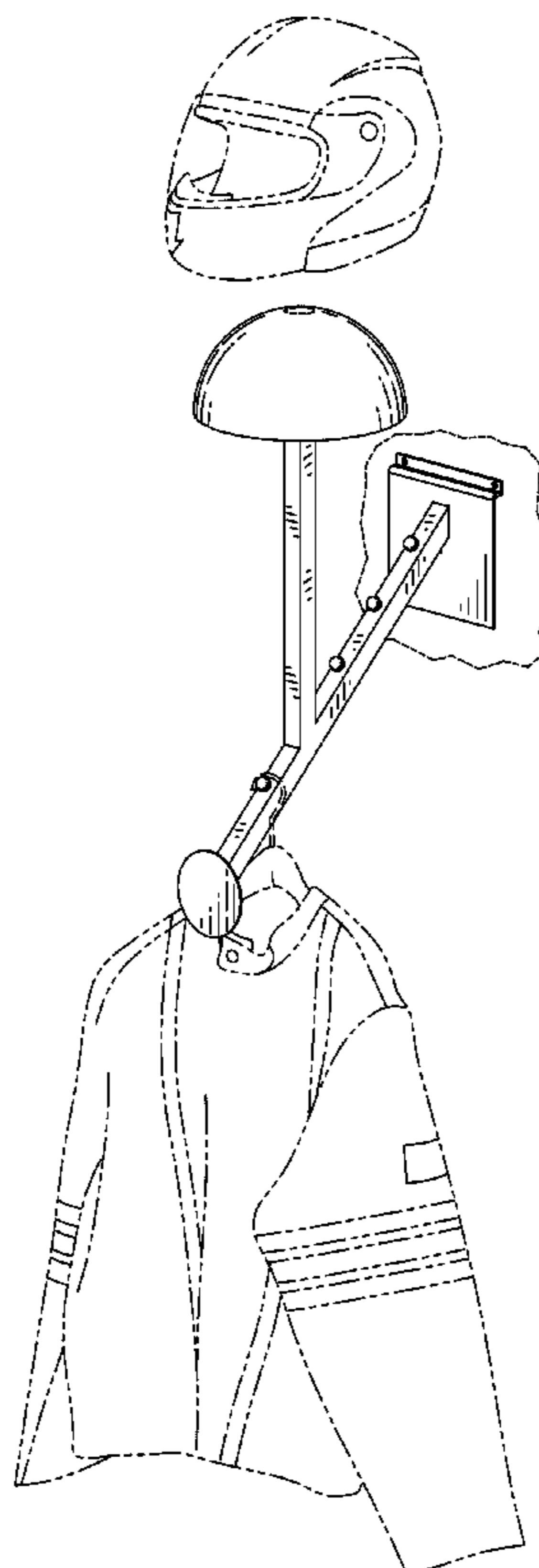
The broken lines showing of the garment, headwear and portion of the wall are for illustrative purpose only and form no part of the claimed design.

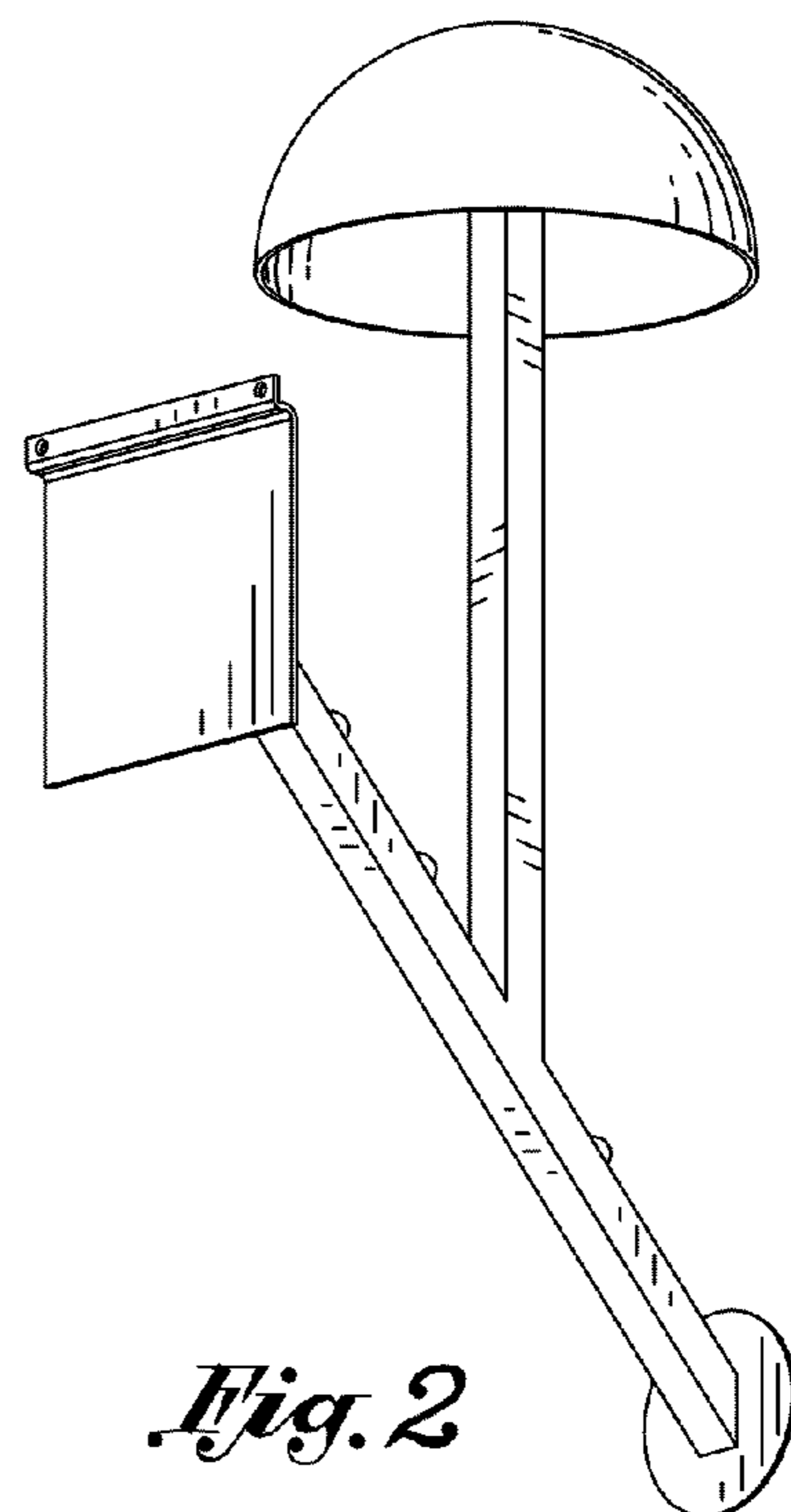
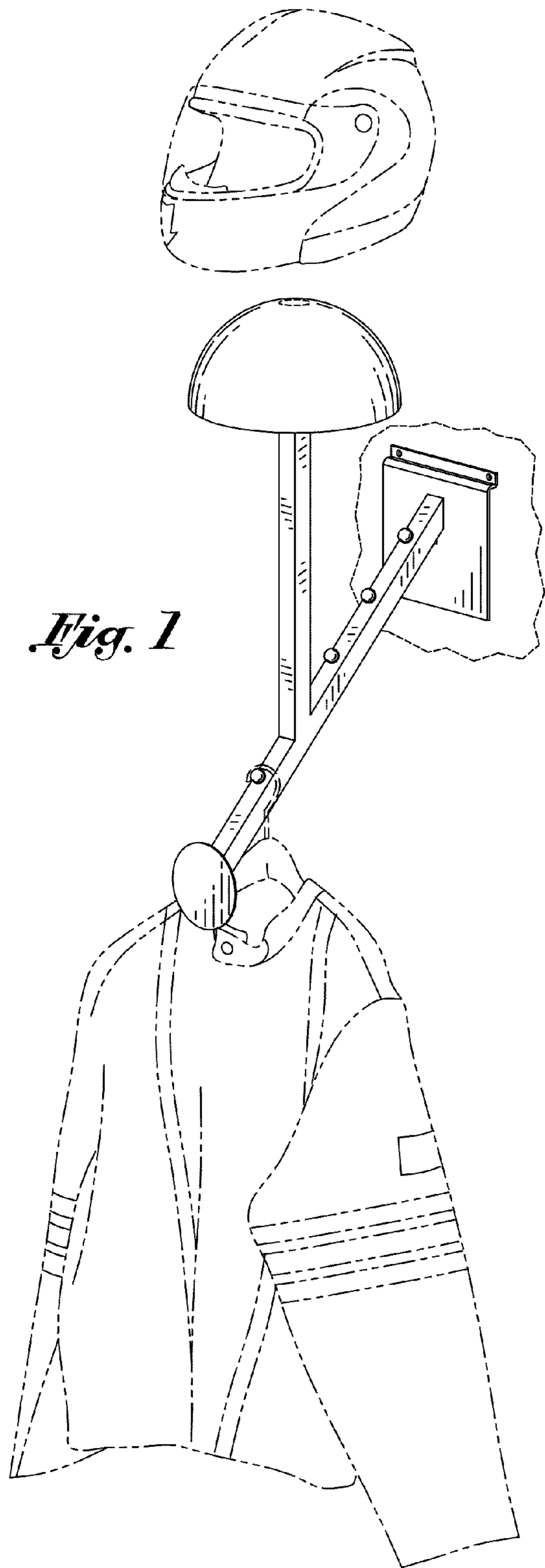
(56) **References Cited**

U.S. PATENT DOCUMENTS

1,333,600 A *	3/1920	Bell	248/290.1
1,837,692 A *	12/1931	Thomas	211/32
D151,372 S *	10/1948	Keefer	D6/317
2,459,909 A *	1/1949	Alofs	248/214
2,535,030 A *	12/1950	Balsbaugh	361/313

1 Claim, 2 Drawing Sheets





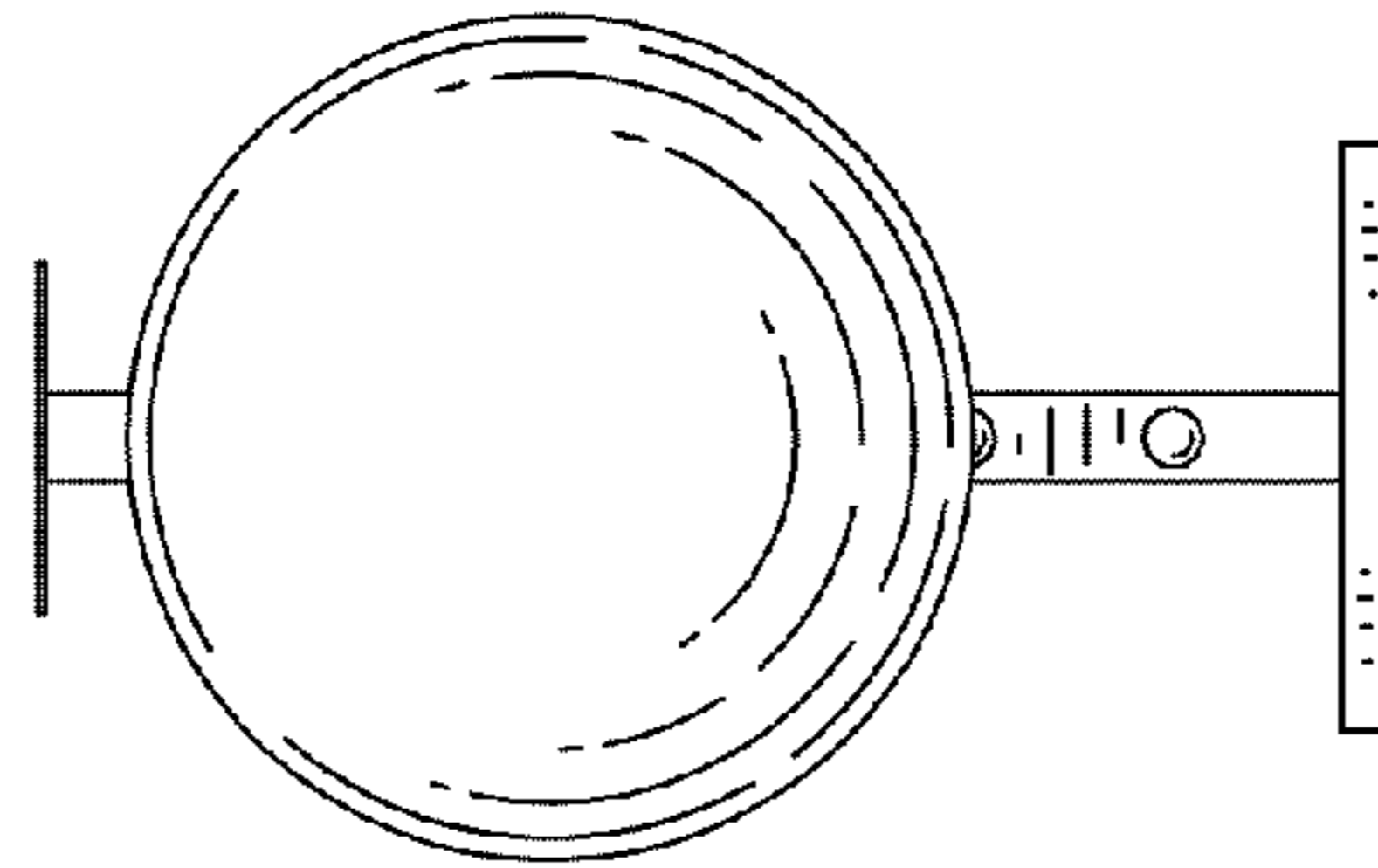


Fig. 3

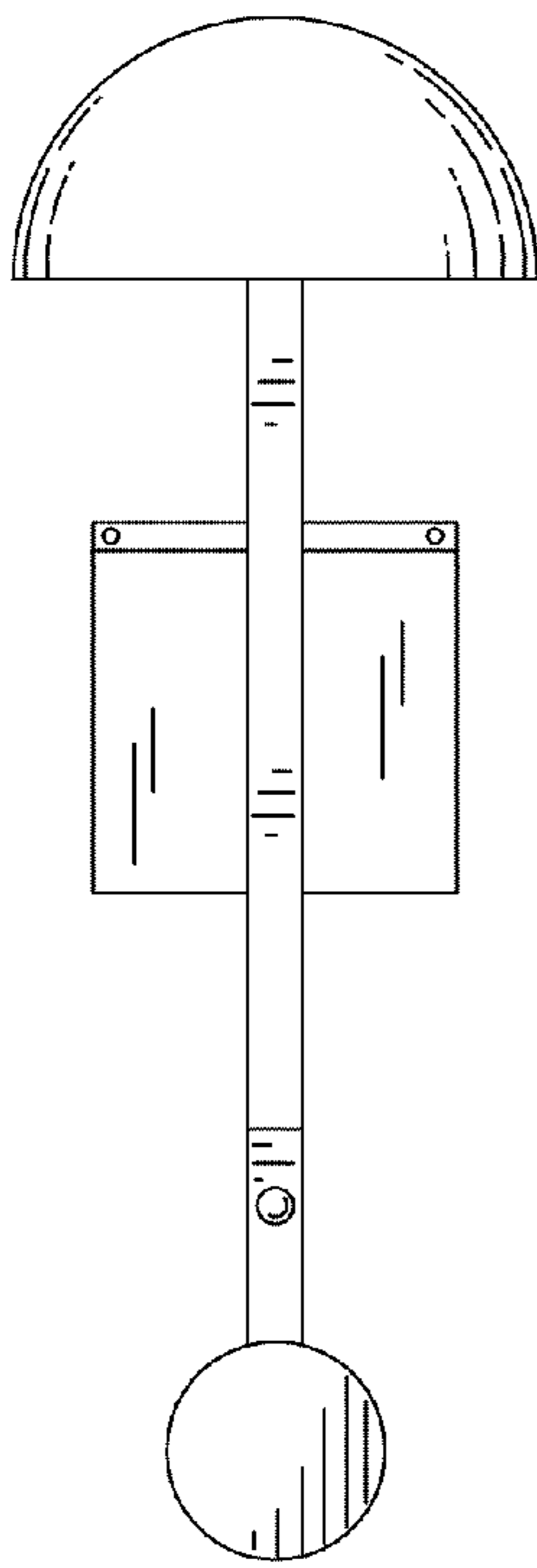


Fig. 4

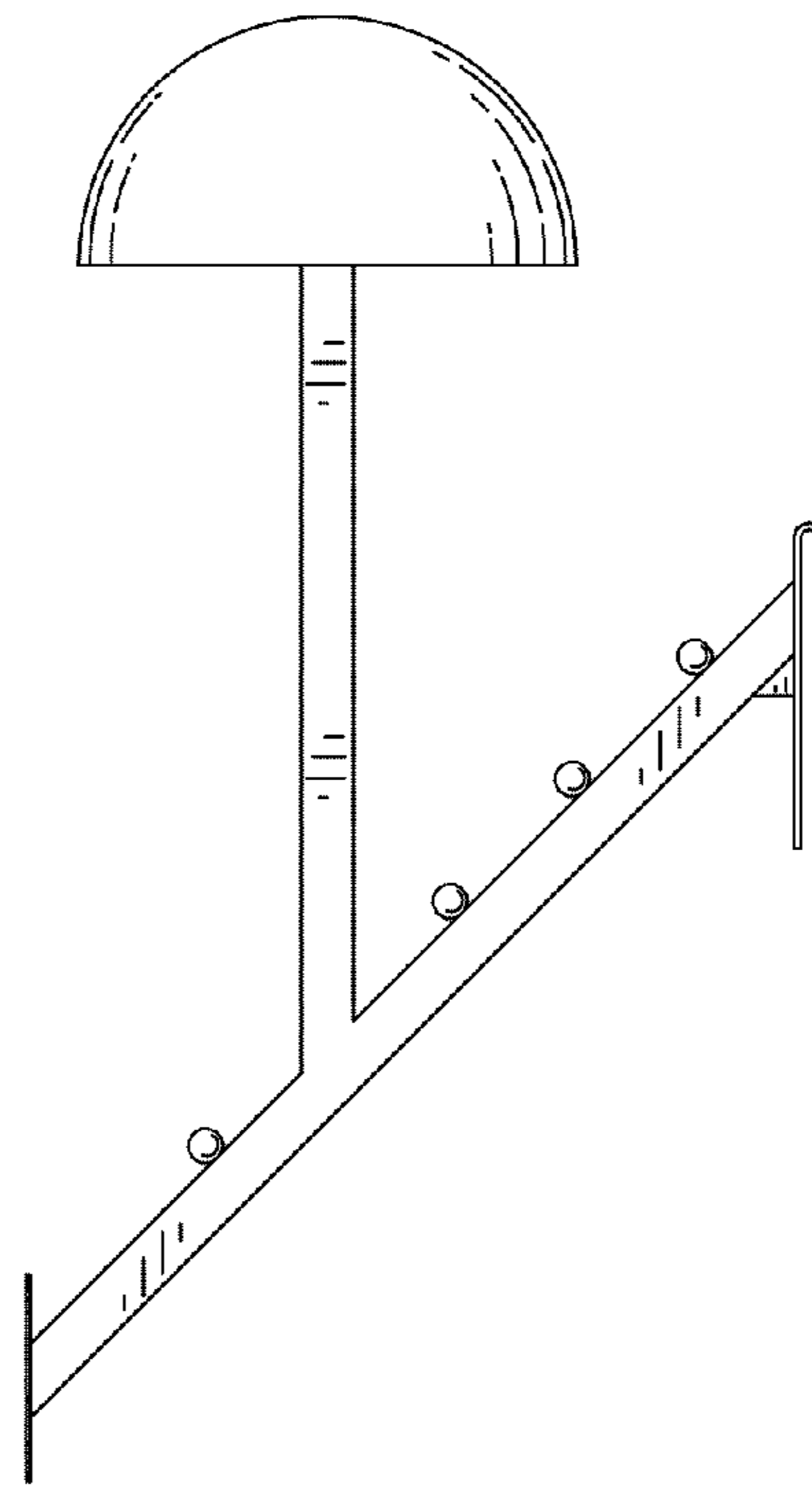


Fig. 5

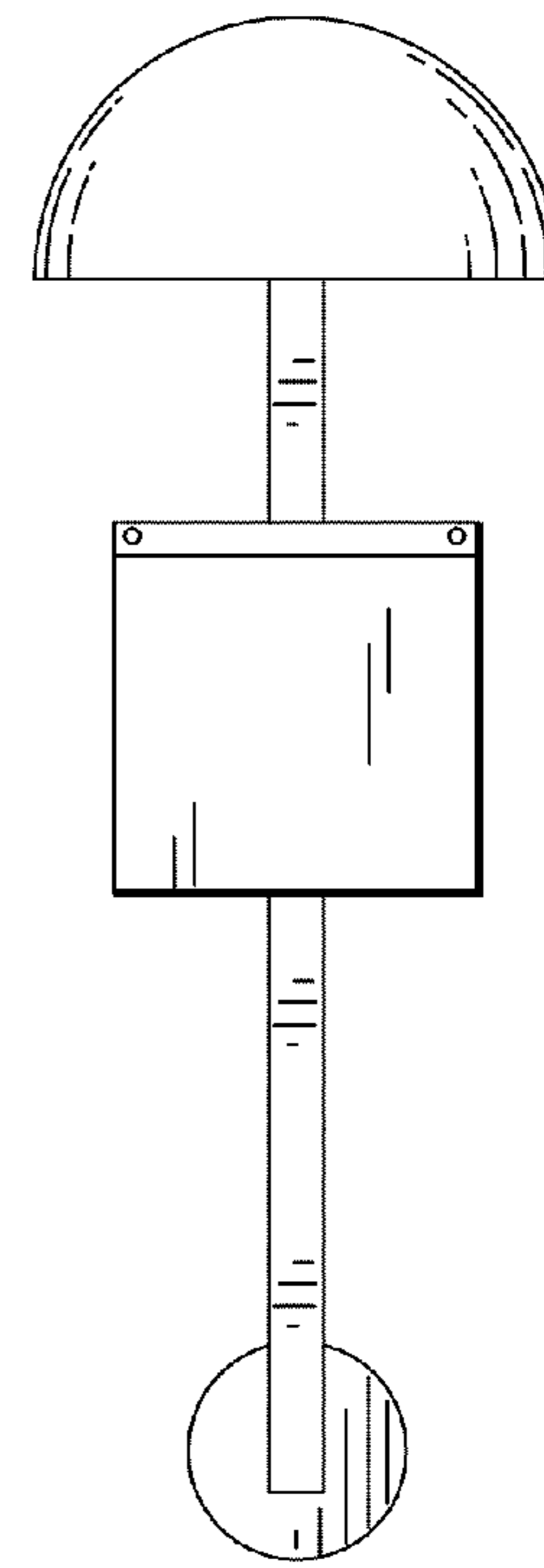


Fig. 6

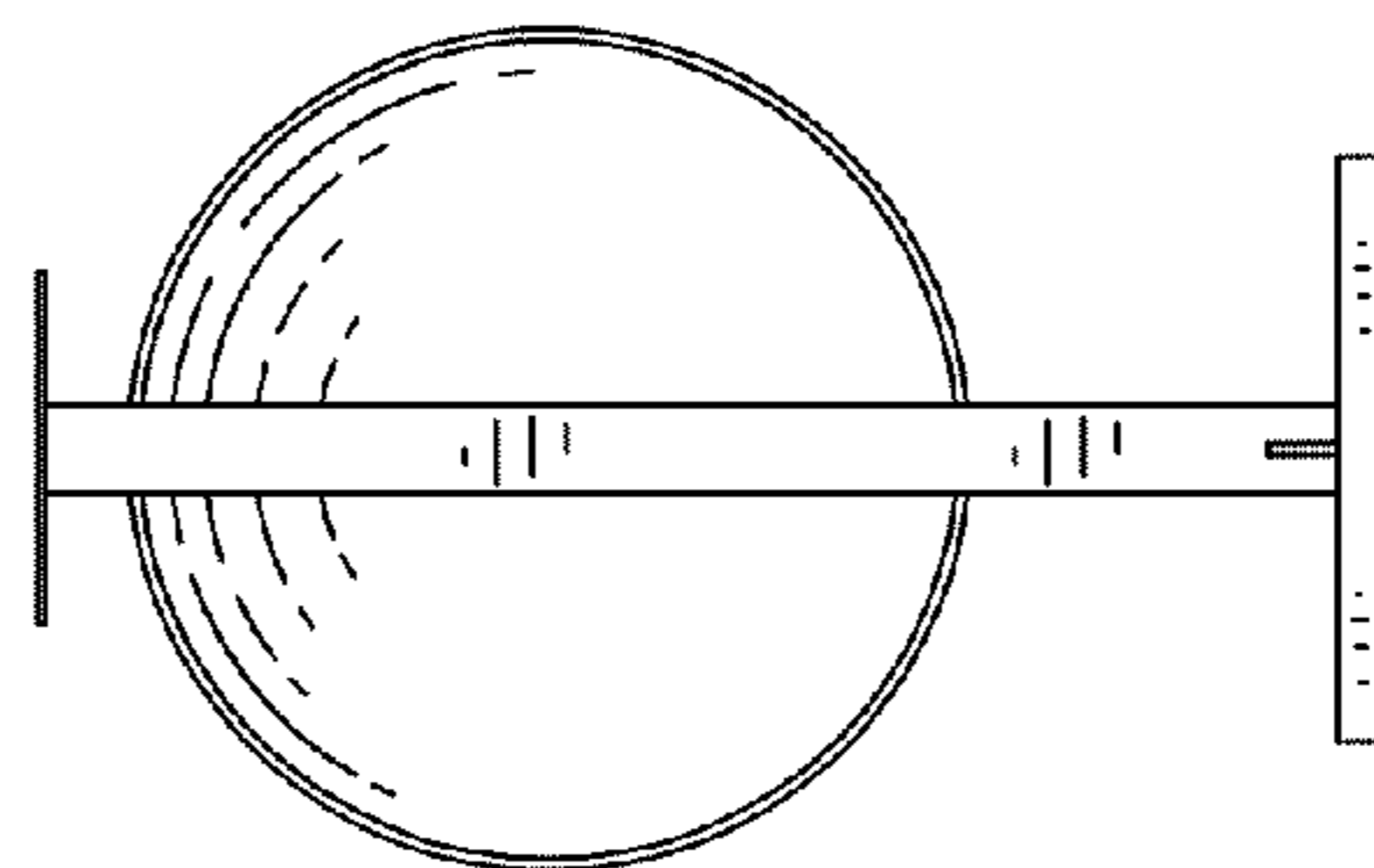


Fig. 7