



US00D647709S

(12) **United States Design Patent**
Anderson et al.

(10) **Patent No.:** **US D647,709 S**

(45) **Date of Patent:** **** Nov. 1, 2011**

(54) **HANGER**

(75) Inventors: **Neal T. Anderson**, Edina, MN (US);
Brandon R. Ferraro, St. Louis Park,
MN (US); **Jake Strassberger**, South
Plainfield, NJ (US); **Keith C. Cedro**,
Clifton, NJ (US)

3,963,154 A 6/1976 Schwartz et al.
4,177,908 A 12/1979 Batts et al.
4,198,772 A 4/1980 Furutu
D272,502 S 2/1984 Batts et al.
4,474,316 A * 10/1984 Philibert 223/88
4,526,306 A 7/1985 Zuckerman et al.
4,556,158 A 12/1985 Blanchard et al.

(Continued)

(73) Assignee: **Target Brands, Inc.**, Minneapolis, MN
(US)

Primary Examiner — Prabhakar Deshmukh

(74) *Attorney, Agent, or Firm* — Griffiths & Seaton PLLC

(**) Term: **14 Years**

(57) **CLAIM**

The ornamental design for a hanger, as shown and described.

(21) Appl. No.: **29/338,303**

DESCRIPTION

(22) Filed: **Jun. 9, 2009**

(51) **LOC (9) Cl.** **06-08**

(52) **U.S. Cl.** **D6/315**

(58) **Field of Classification Search** D6/315-328,
D6/513; 211/113, 119; 223/83, 87, 88, 94,
223/89, 96.09, DIG. 1; 206/276, 287.1, 289,
206/806

See application file for complete search history.

The present application is related to pending U.S. patent application Ser. No. 12/480,994, entitled "Hanging Display Package and Associated Products and Methods," filed on Jun. 9, 2009.

FIG. 1 is a front, perspective view of a hanger showing a first embodiment of our new design;

FIG. 2 is a rear, perspective view thereof;

FIG. 3 is a front view thereof;

FIG. 4 is a rear view thereof;

FIG. 5 is a right side view thereof;

FIG. 6 is a left side view thereof;

FIG. 7 is a top view thereof; and

FIG. 8 is a bottom view thereof.

FIG. 9 is a front, perspective view of a hanger showing a second embodiment of our new design;

FIG. 10 is a rear, perspective view thereof;

FIG. 11 is a front view thereof;

FIG. 12 is a rear view thereof;

FIG. 13 is a right side view thereof;

FIG. 14 is a left side view thereof;

FIG. 15 is a top view thereof; and,

FIG. 16 is bottom view thereof.

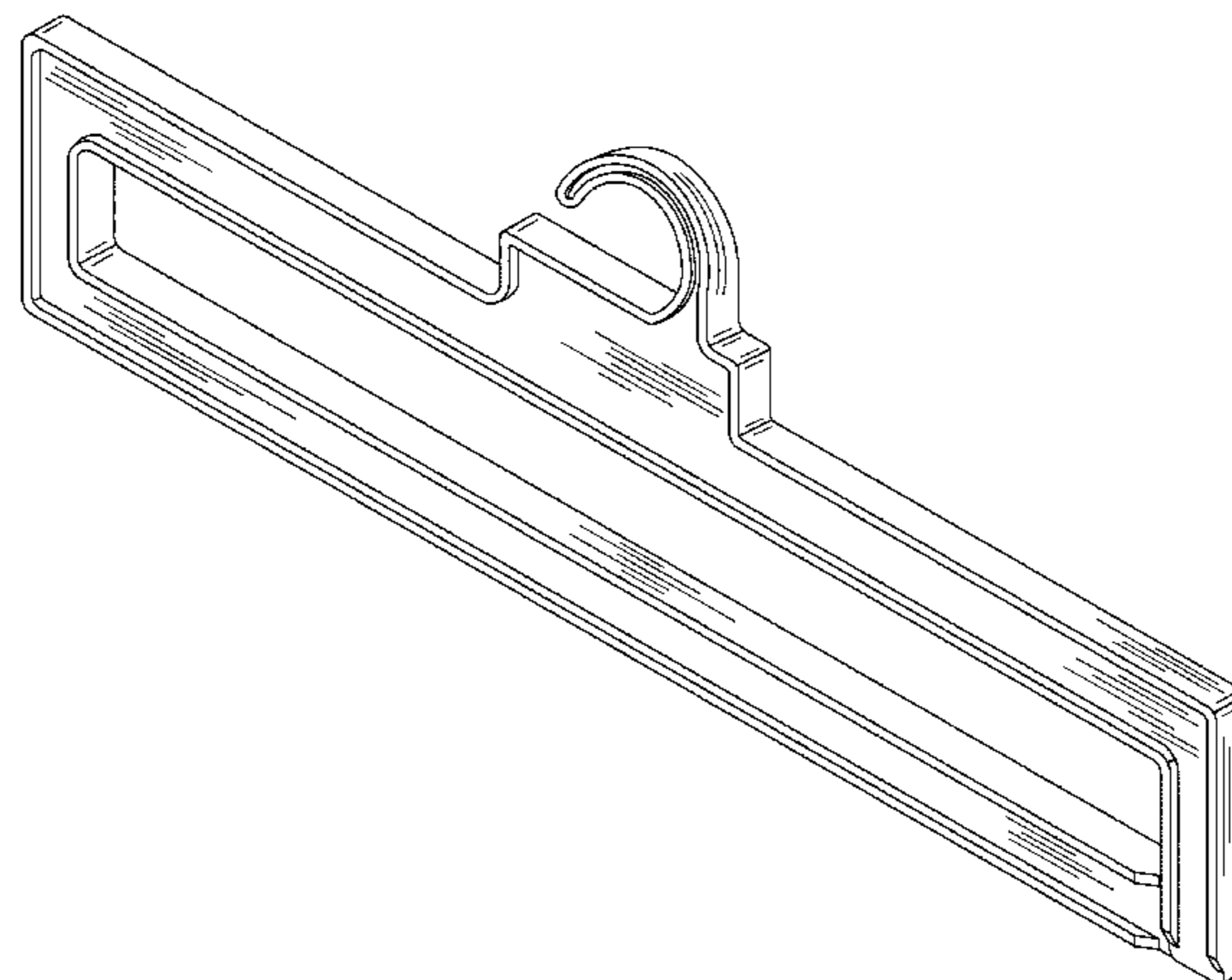
It is understood that the invention disclosed in FIGS. 9-16 disclose undetermined overall relative dimensions of the hanger with the basic configuration being the same as that of the first embodiment in FIGS. 1-8. The broken lines are for illustrative purpose only and form no part of the claimed design.

(56) **References Cited**

U.S. PATENT DOCUMENTS

D118,984 S	2/1940	Paterson	
2,320,018 A	5/1943	Ullman	
2,340,320 A	2/1944	Goldbert	
D140,337 S	2/1945	Hill	
D140,338 S	2/1945	Hill	
2,412,735 A	12/1946	Isaak	
2,460,438 A	2/1949	Treiman	
D153,032 S	3/1949	Porter	
2,643,037 A	6/1953	Clover	
3,087,605 A	4/1963	Kester	
3,172,531 A	3/1965	Shillman	
3,191,770 A	6/1965	Zuckerman	
3,435,999 A *	4/1969	Mantell	223/91
D215,899 S *	11/1969	Soderberg	D6/315
3,477,623 A	11/1969	Milette et al.	
3,557,944 A *	1/1971	Crane	206/287
3,680,746 A *	8/1972	Seckelmann	223/88
3,710,996 A	1/1973	Smilow et al.	
3,841,478 A	10/1974	Wells et al.	
3,862,687 A	1/1975	Pirman	

1 Claim, 9 Drawing Sheets



US D647,709 S

Page 2

U.S. PATENT DOCUMENTS

D289,829 S	5/1987	Klemetsrud		D445,265 S	7/2001	Yost	
D296,046 S	6/1988	Marshall		D446,947 S	8/2001	Paloheimo	
D299,086 S	12/1988	Wilson		6,286,734 B1	9/2001	Schneider	
D301,661 S	6/1989	Wilson		6,286,735 B1	9/2001	Zuckerman	
D301,942 S	7/1989	Talbot-Titley		6,508,357 B1	1/2003	Faircloth et al.	
D301,943 S	7/1989	Wilson		6,581,765 B1	6/2003	Rhyne	
D302,214 S	7/1989	Wilson		6,612,431 B2	9/2003	Faircloth	
D303,324 S	9/1989	Wilson		6,772,880 B2	8/2004	Beverly	
D303,325 S	9/1989	Marshall		D499,560 S	12/2004	Abdi et al.	
4,865,236 A	9/1989	Dongas		D501,093 S	1/2005	Barre et al.	
4,889,265 A *	12/1989	Morgan	223/96	D504,577 S	5/2005	Mann	
4,901,894 A	2/1990	Blanchard		D513,595 S	1/2006	Weber et al.	
4,951,855 A	8/1990	Jacobson et al.		6,981,588 B2	1/2006	Kimura	
5,092,502 A *	3/1992	Kolton et al.	223/91	D527,536 S	9/2006	McCoy et al.	
5,421,465 A *	6/1995	Dunner, Jr.	211/115	7,118,014 B2	10/2006	Ali et al.	
D365,448 S *	12/1995	Travis et al.	D6/319	7,152,768 B2	12/2006	Petrou	
D371,246 S	7/1996	Gouldson et al.		7,264,115 B1	9/2007	Uittenbogaard et al.	
5,556,014 A	9/1996	Kolton et al.		D560,373 S	1/2008	Gouldson	
D375,208 S	11/1996	Gouldson		D563,681 S	3/2008	Barker	
5,615,810 A	4/1997	Kolton et al.		D567,516 S	4/2008	Mangano	
5,758,806 A	6/1998	Anderson		D567,518 S	4/2008	Gouldson	
D400,718 S	11/1998	Bortolus		D606,767 S	12/2009	Warren	
D401,705 S *	11/1998	Jones	D32/58	D633,310 S *	3/2011	Song et al.	D6/315
D405,343 S	2/1999	Oberdorf		2002/0108975 A1	8/2002	Hunt et al.	
5,868,289 A	2/1999	Lee		2003/0209577 A1	11/2003	Gouldson et al.	
D408,156 S	4/1999	Eiley et al.		2004/0050727 A1	3/2004	Fraistat et al.	
D410,793 S *	6/1999	Gouldson	D6/315	2004/0262341 A1	12/2004	Petrou	
D415,620 S	10/1999	Prince et al.		2005/0194412 A1	9/2005	Petrou	
6,085,950 A	7/2000	Gouldson et al.		2007/0045130 A1	3/2007	Kim	
6,142,347 A	11/2000	Kolton et al.		2007/0045136 A1	3/2007	Kim	
6,237,762 B1	5/2001	Faircloth					

* cited by examiner

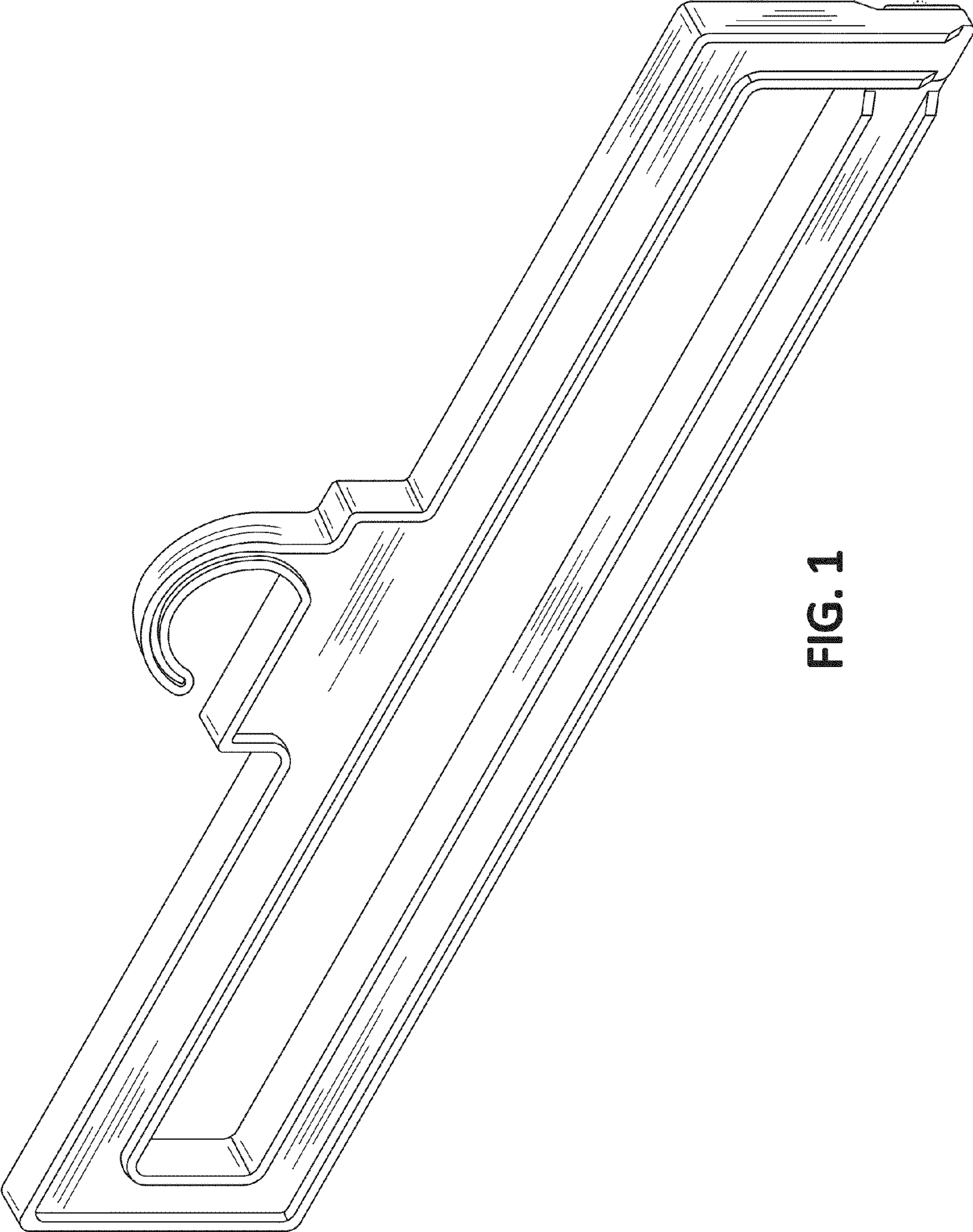


FIG. 1

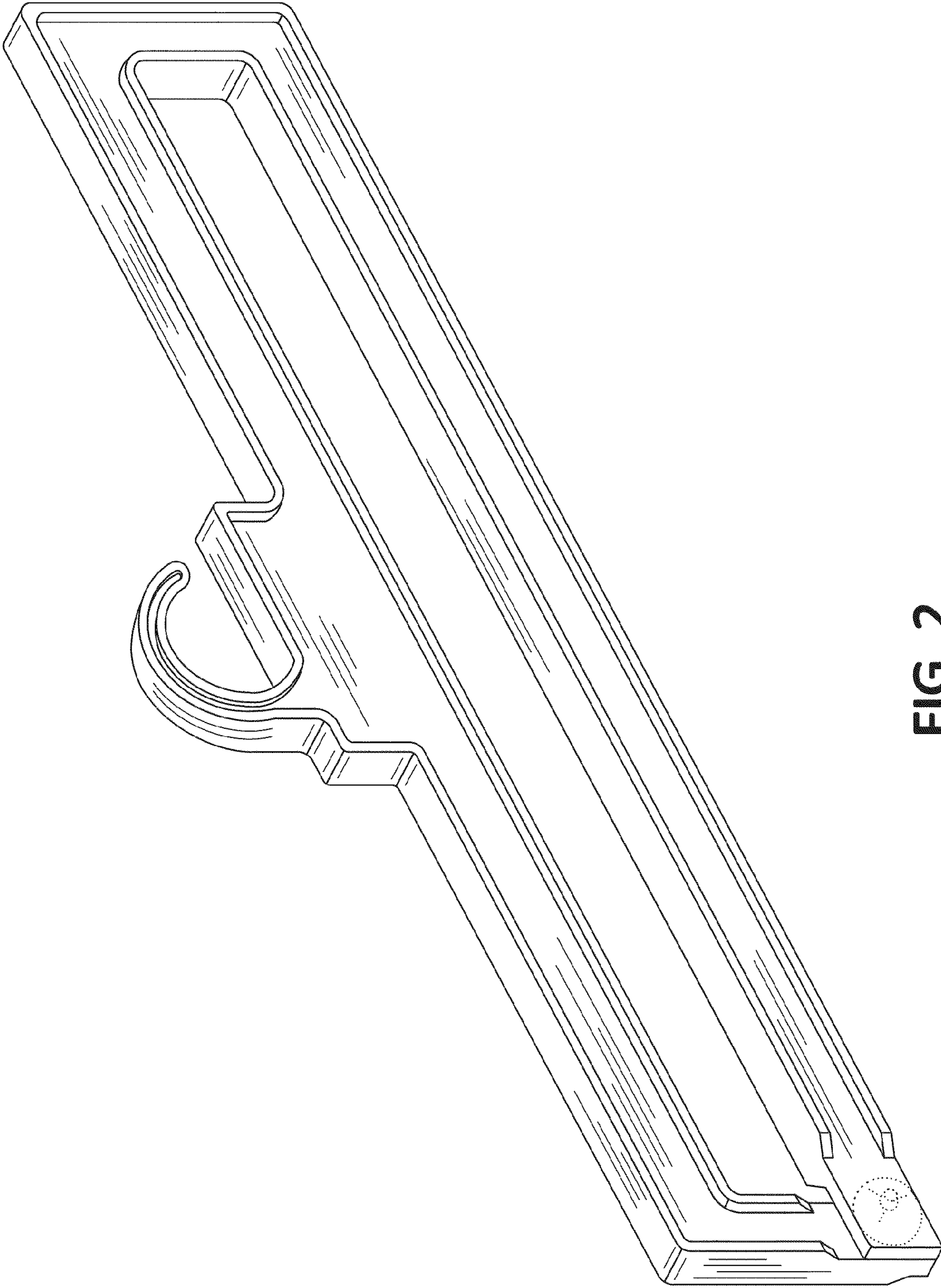


FIG. 2

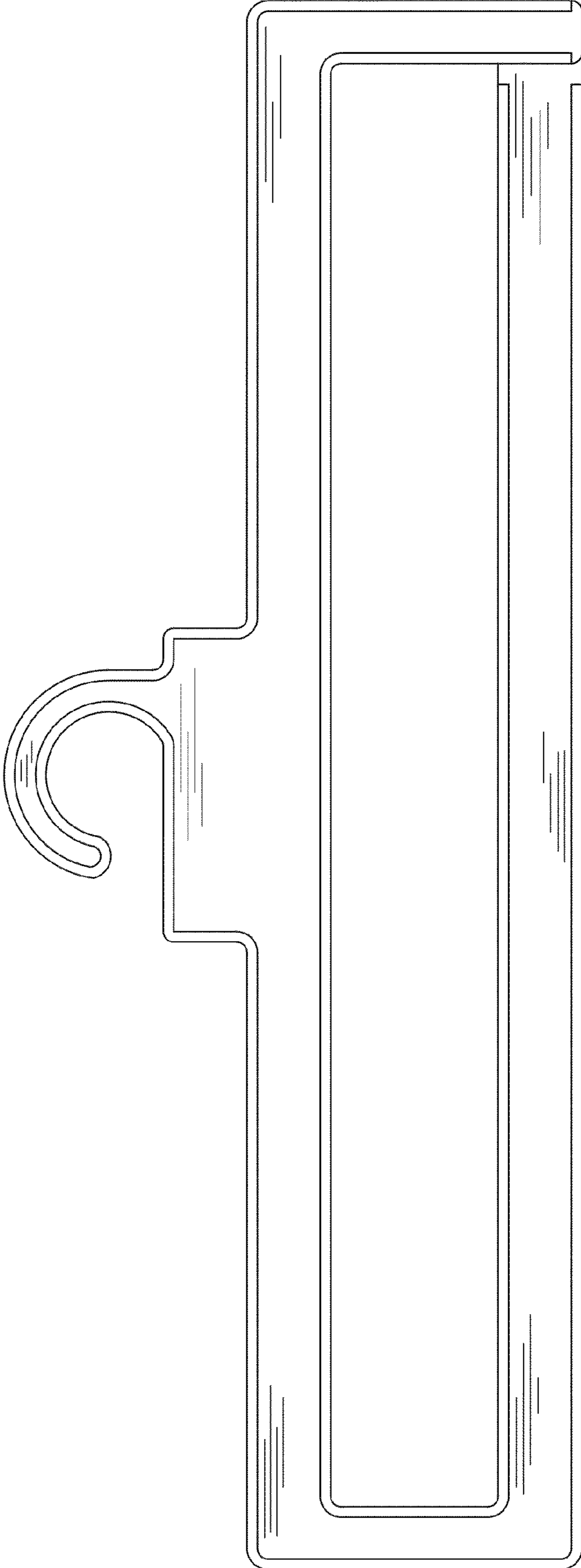


FIG. 3

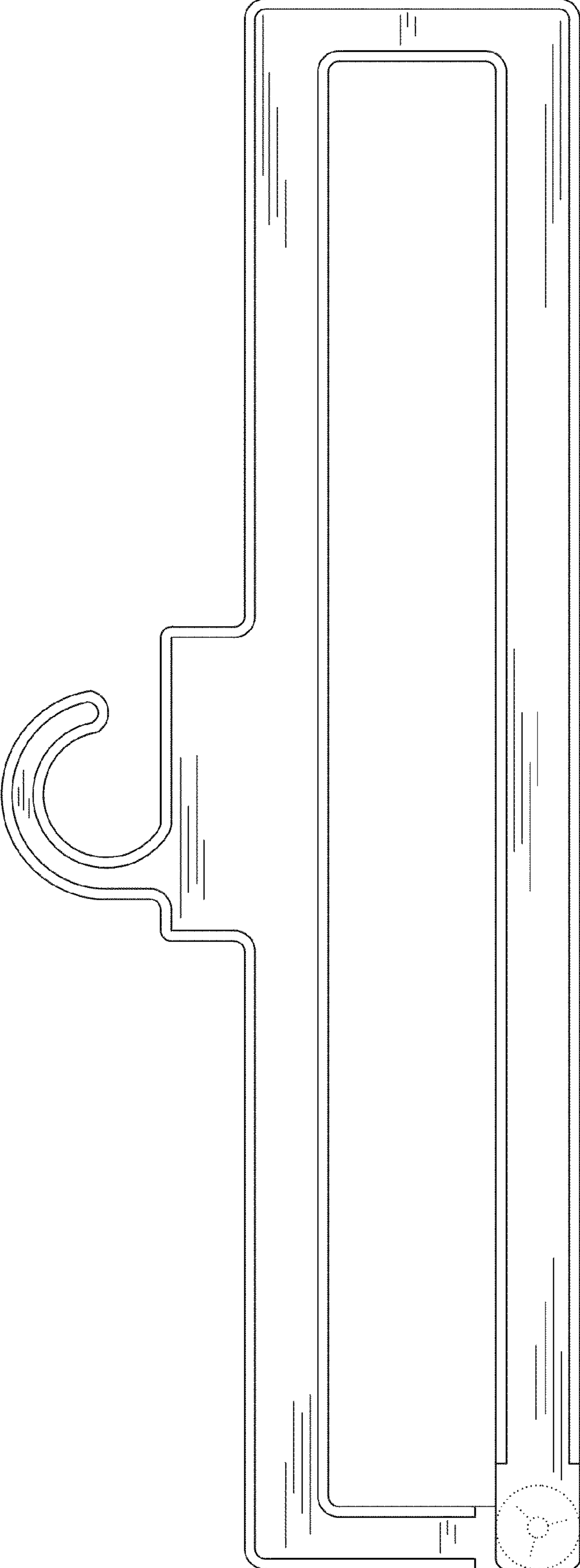


FIG. 4



FIG. 5

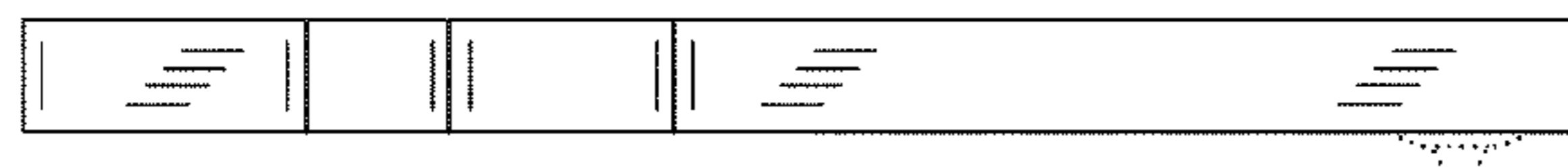


FIG. 6



FIG. 7



FIG. 8

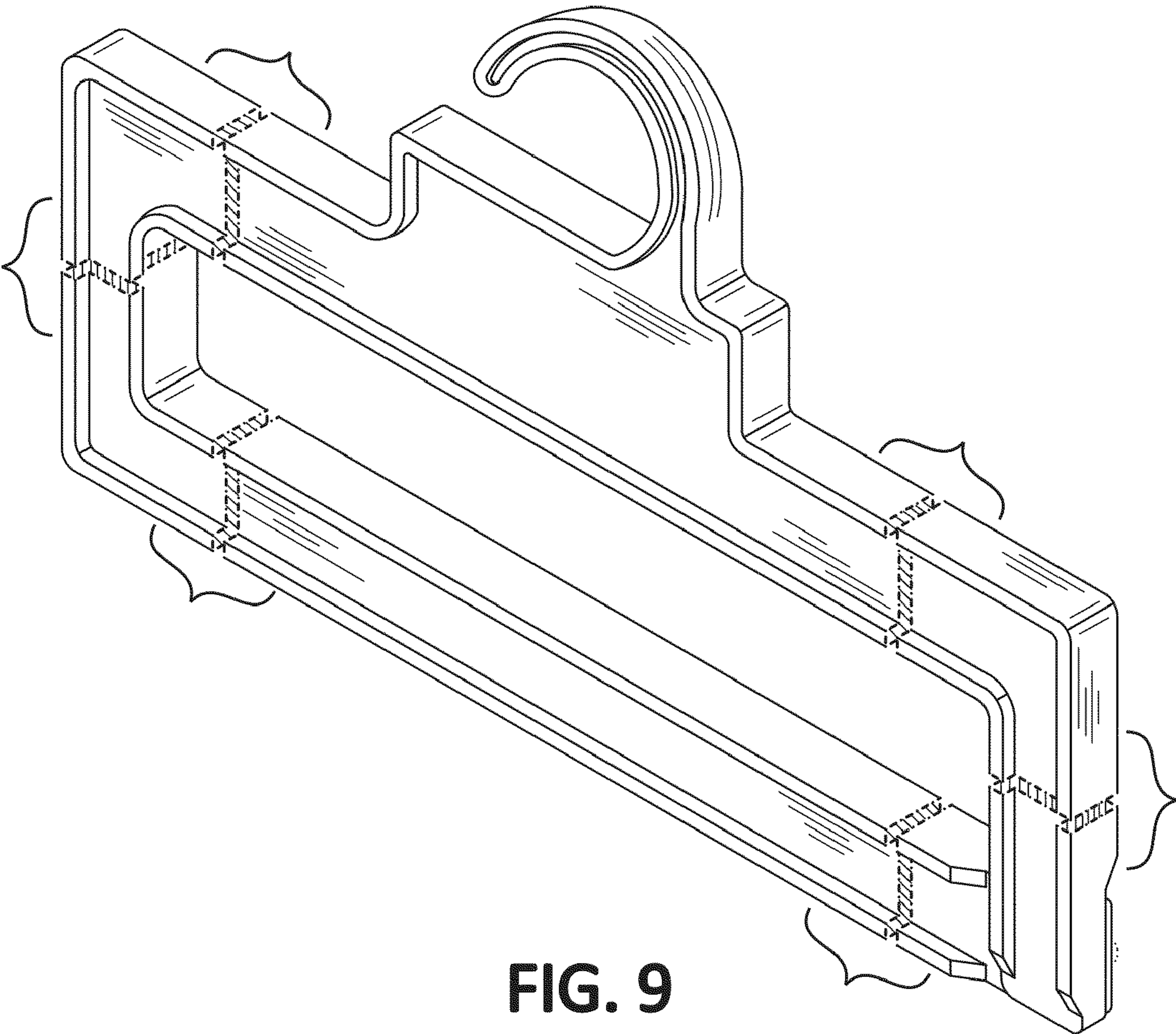


FIG. 9

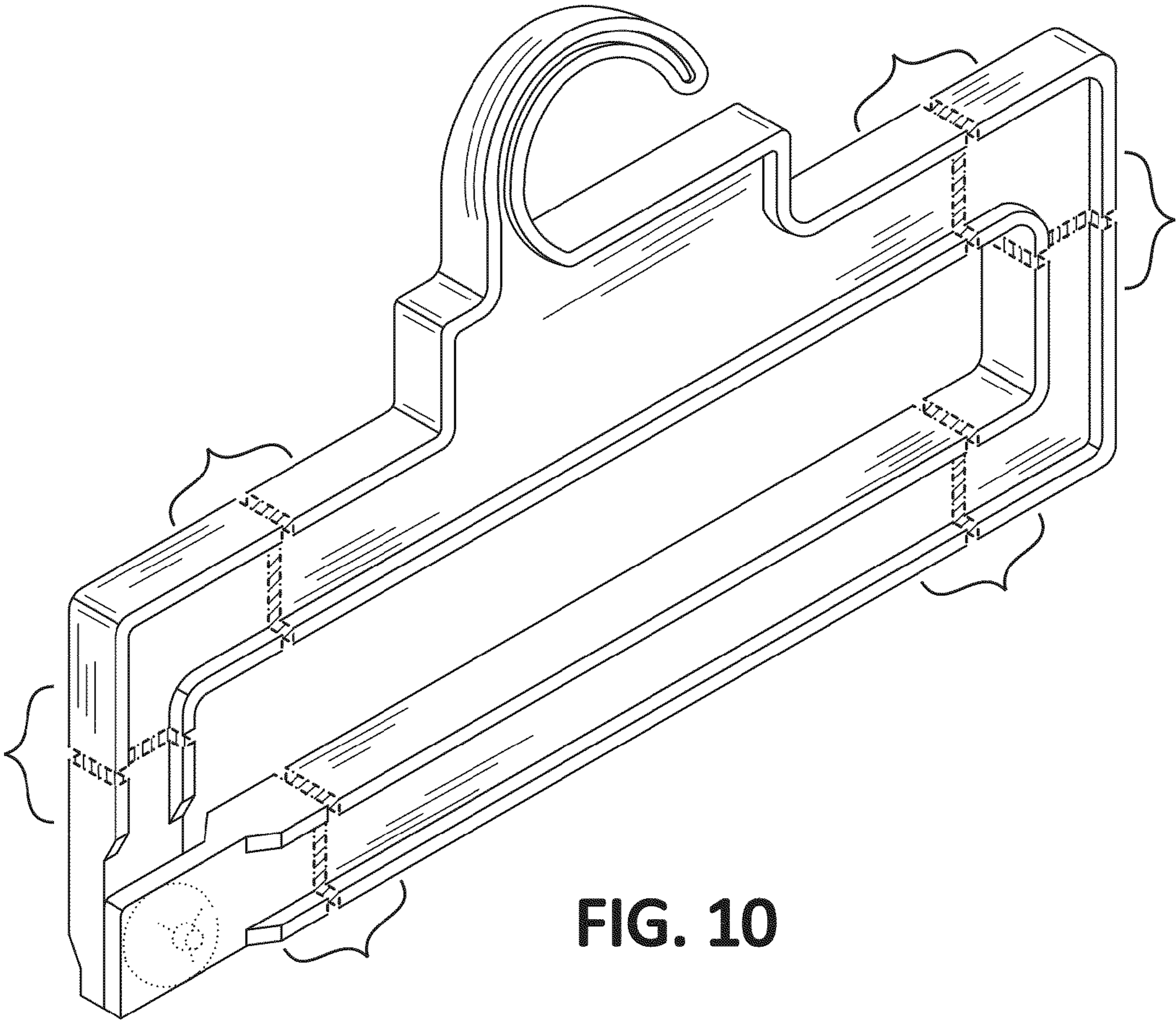


FIG. 10

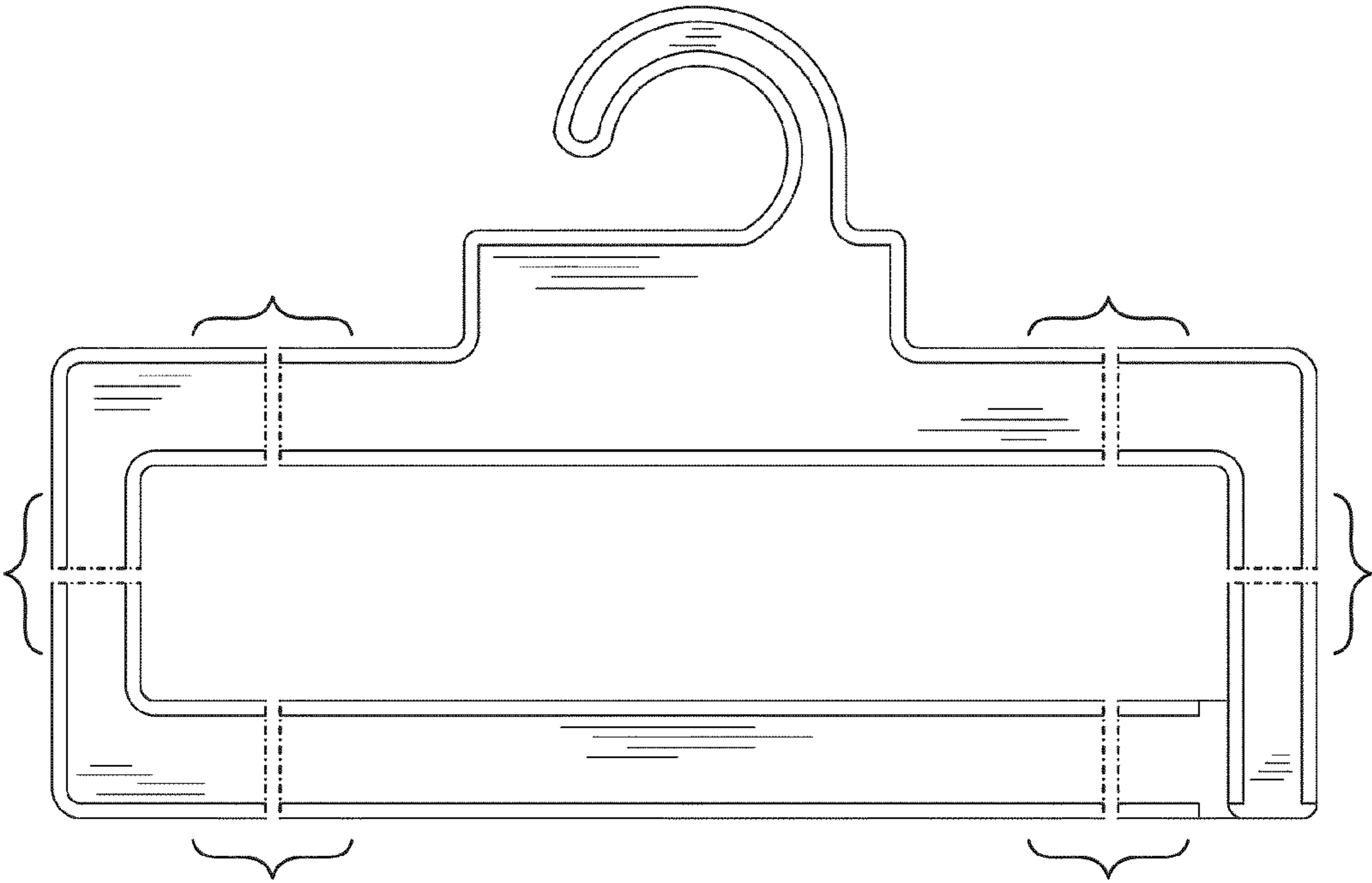


FIG. 11

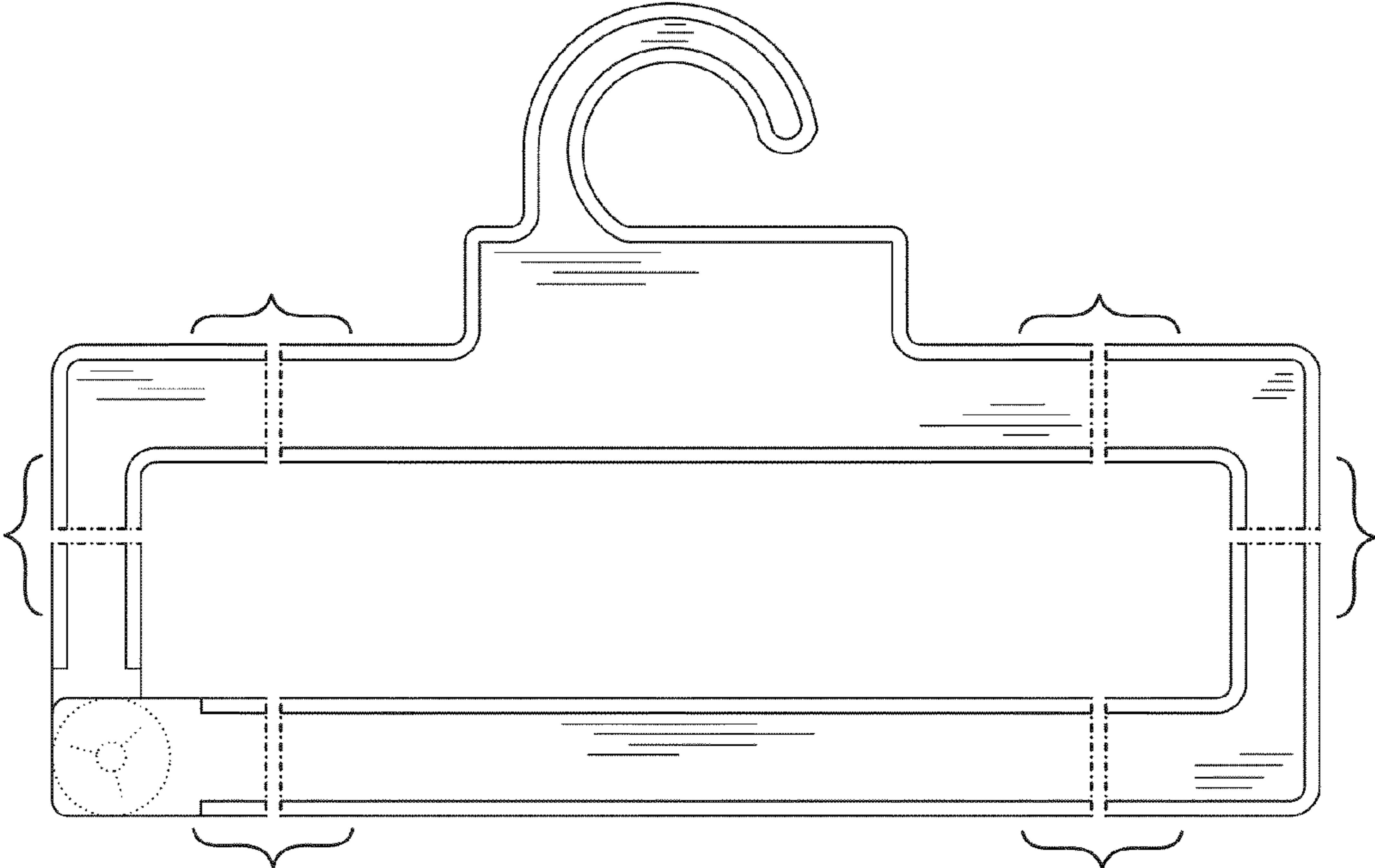


FIG. 12

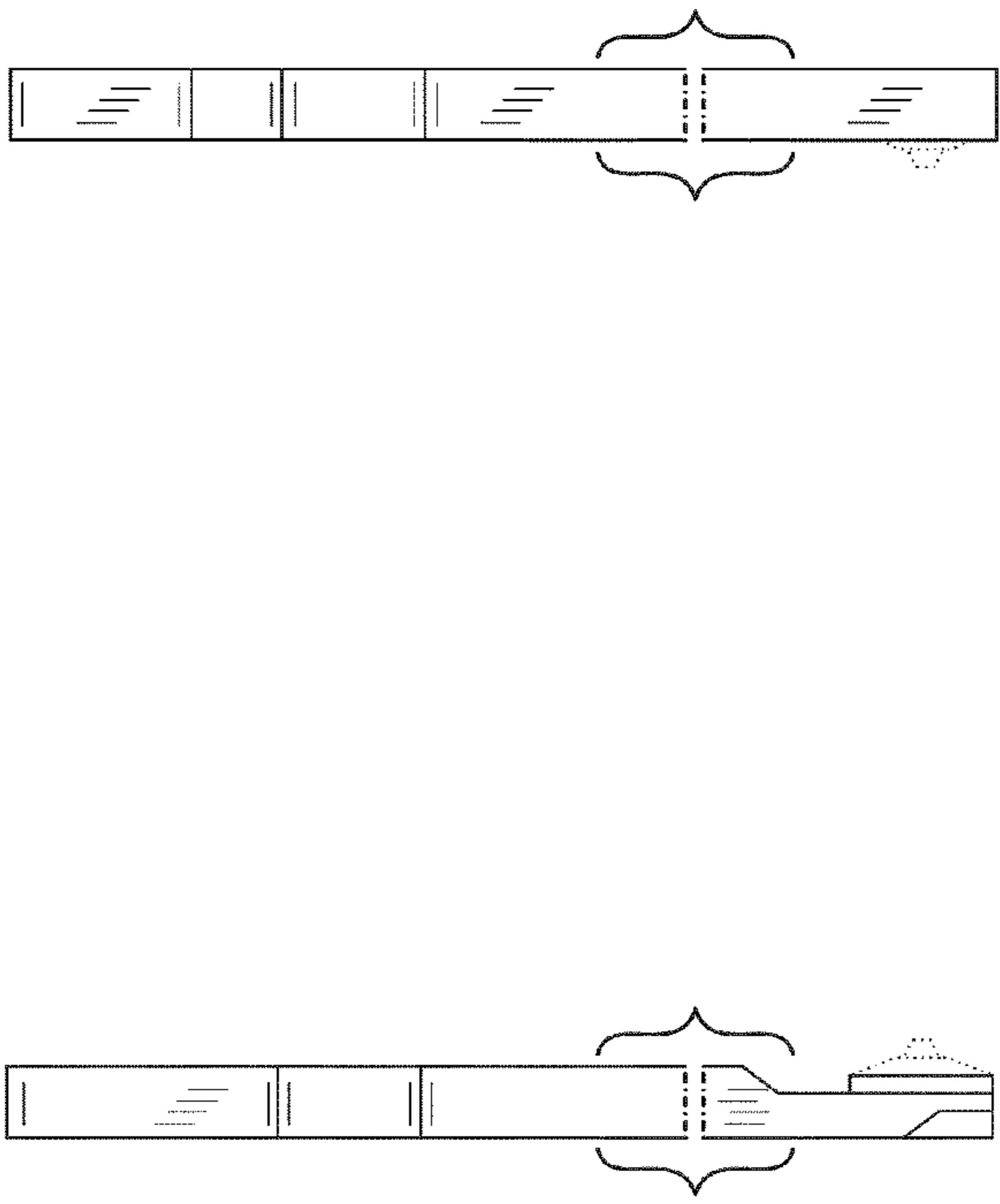


FIG. 13

FIG. 14

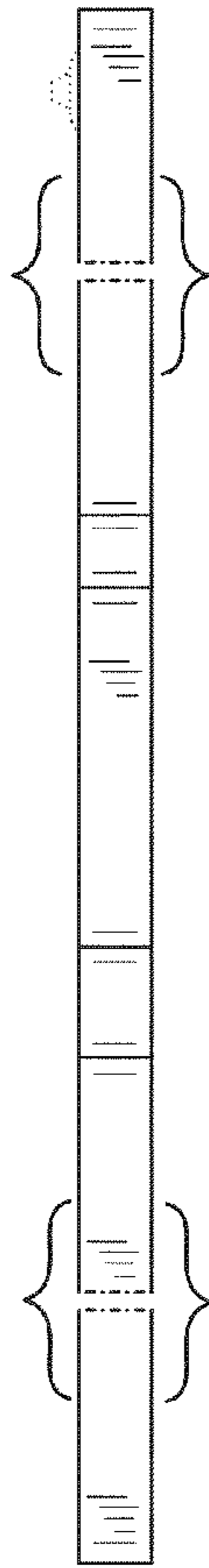


FIG. 15

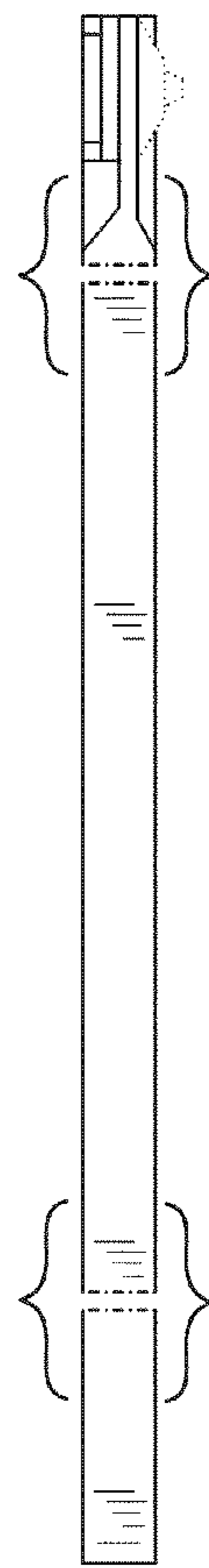


FIG. 16