



US00D647700S

(12) **United States Design Patent**  
**Sayag**

(10) **Patent No.:** **US D647,700 S**

(45) **Date of Patent:** **\*\* Nov. 1, 2011**

(54) **CONTAINER WITH CROPPED SIDE**

(75) **Inventor:** **Avi Sayag, Misgav Dov (IL)**

(73) **Assignee:** **EMCO Marine Ltd., Ashdod (IL)**

(\*\*) **Term:** **14 Years**

(21) **Appl. No.:** **29/342,463**

(22) **Filed:** **Aug. 25, 2009**

(51) **LOC (9) Cl.** ..... **03-01**

(52) **U.S. Cl.** ..... **D3/272**

(58) **Field of Classification Search** ..... D3/272;  
D25/32, 35; D12/101, 102; 20/1.5

See application file for complete search history.

(56) **References Cited**

**U.S. PATENT DOCUMENTS**

D221,522 S *	8/1971	Mellor	.....	D3/272
D363,162 S *	10/1995	Bunger	.....	D3/272
D370,780 S *	6/1996	Bunger	.....	D3/272
5,642,827 A *	7/1997	Madsen	.....	220/1.5
D403,153 S *	12/1998	Martineau	.....	D3/272
D426,382 S *	6/2000	Martineau	.....	D3/272
D580,653 S *	11/2008	Robaina	.....	D3/272

D599,548 S *	9/2009	Bech	.....	D3/272
7,731,459 B2 *	6/2010	Bell	.....	410/68
2008/0179319 A1 *	7/2008	Nielsen et al.	.....	220/1.5
2010/0147728 A1 *	6/2010	Guiles et al.	.....	206/521

\* cited by examiner

*Primary Examiner* — Prabhakar Deshmukh

(74) *Attorney, Agent, or Firm* — Browdy and Neimark, PLLC

(57) **CLAIM**

The ornamental design for a container with cropped side, as shown and described.

**DESCRIPTION**

FIG. 1 is a front elevational view of a container with cropped side showing my new design;

FIG. 2 is a left side elevational view thereof;

FIG. 3 is a front and right perspective view thereof; and,

FIG. 4 is a right side elevational view with the door in an open position.

On the drawings, a number of features are shown in broken lines to indicate that those features form no part of the claimed design.

**1 Claim, 3 Drawing Sheets**

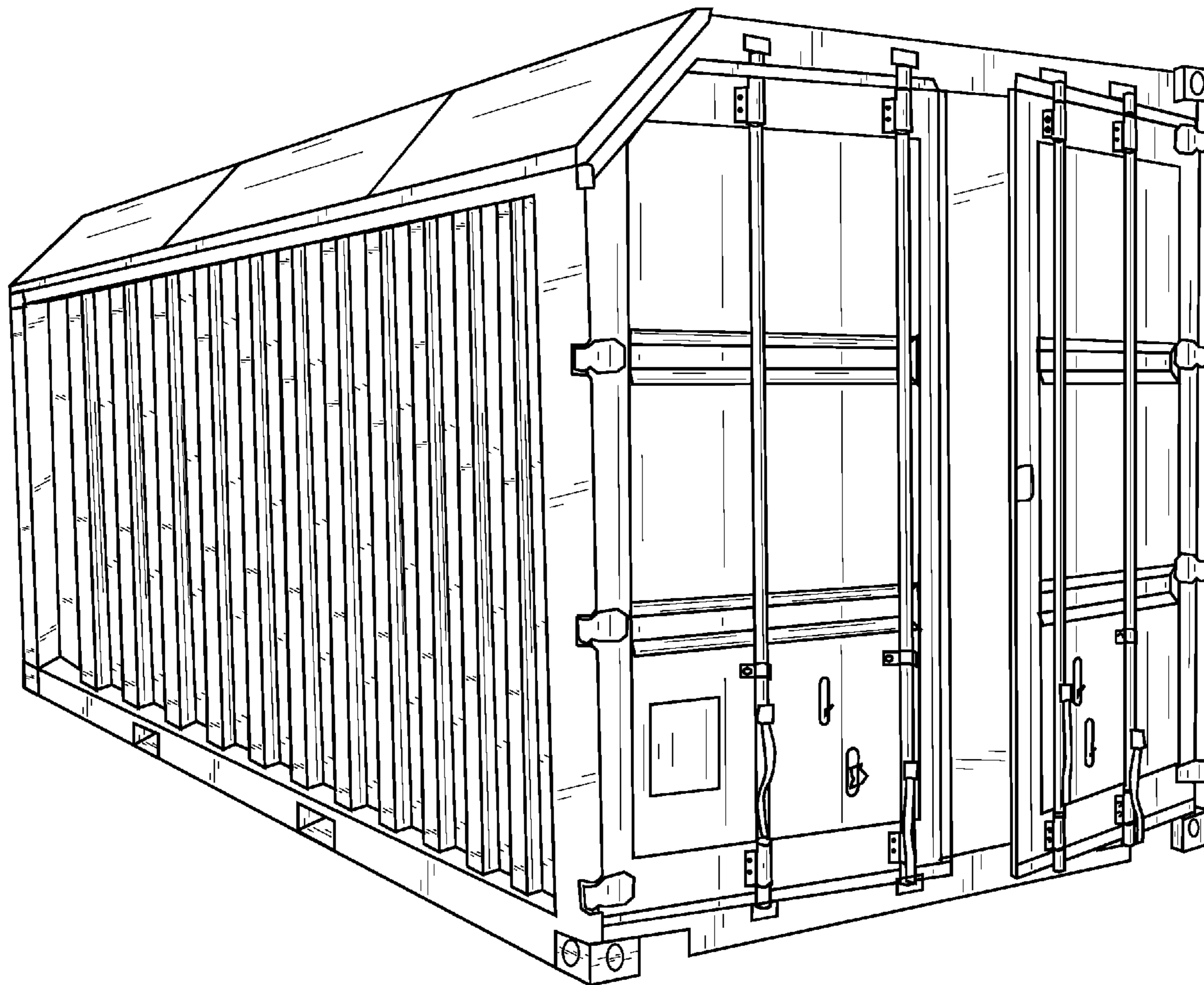


Fig. 1

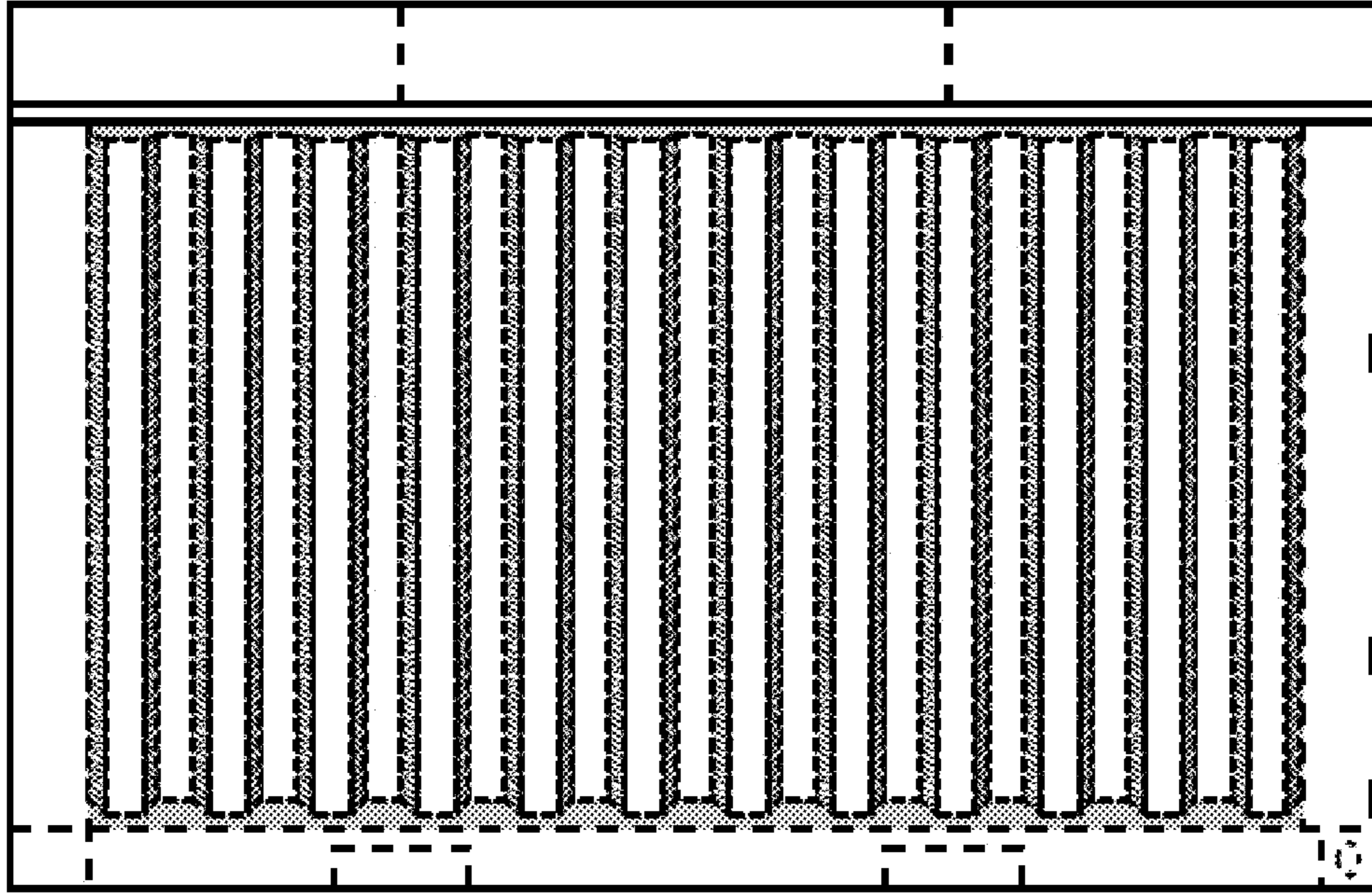
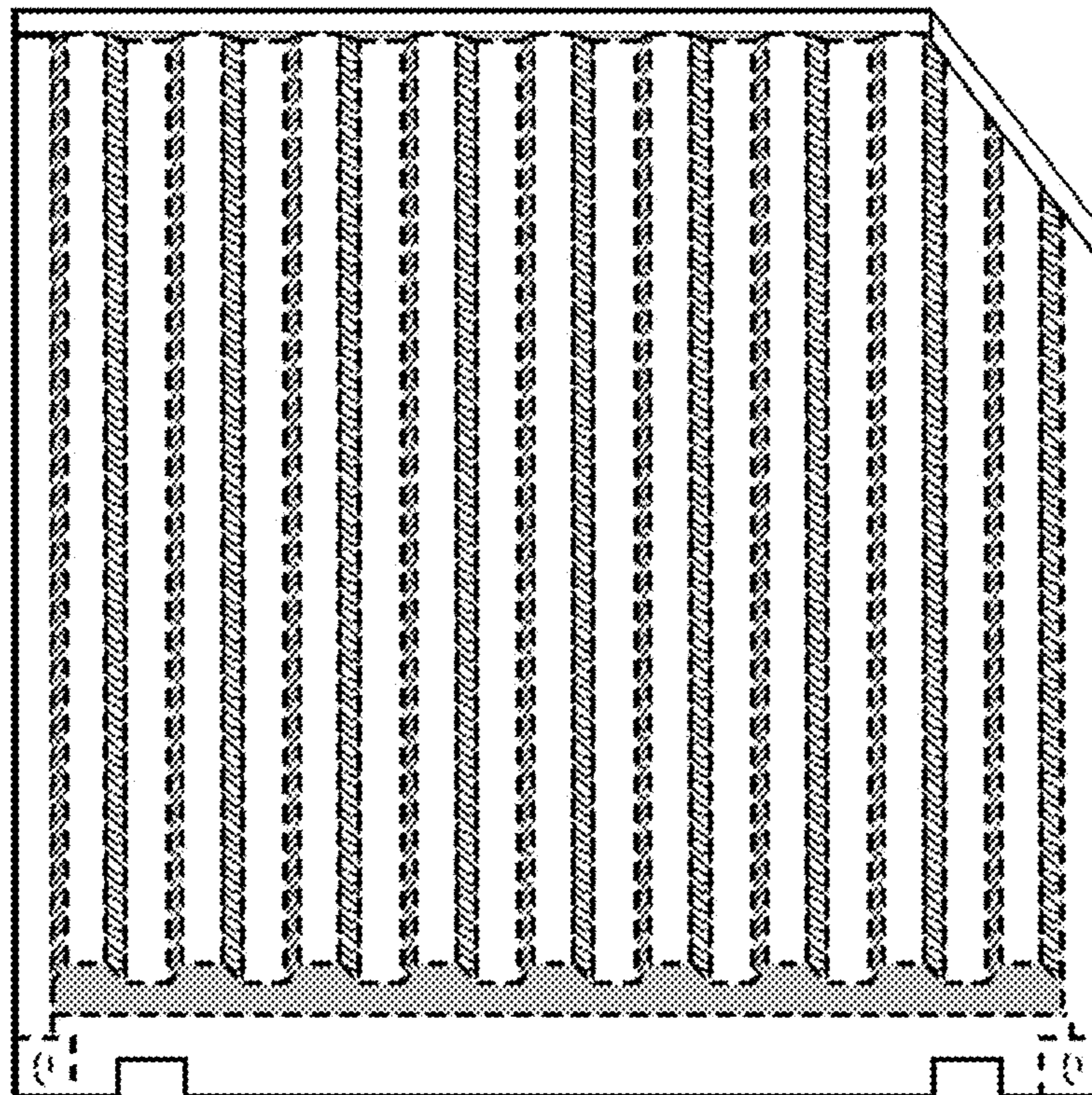


Fig. 2



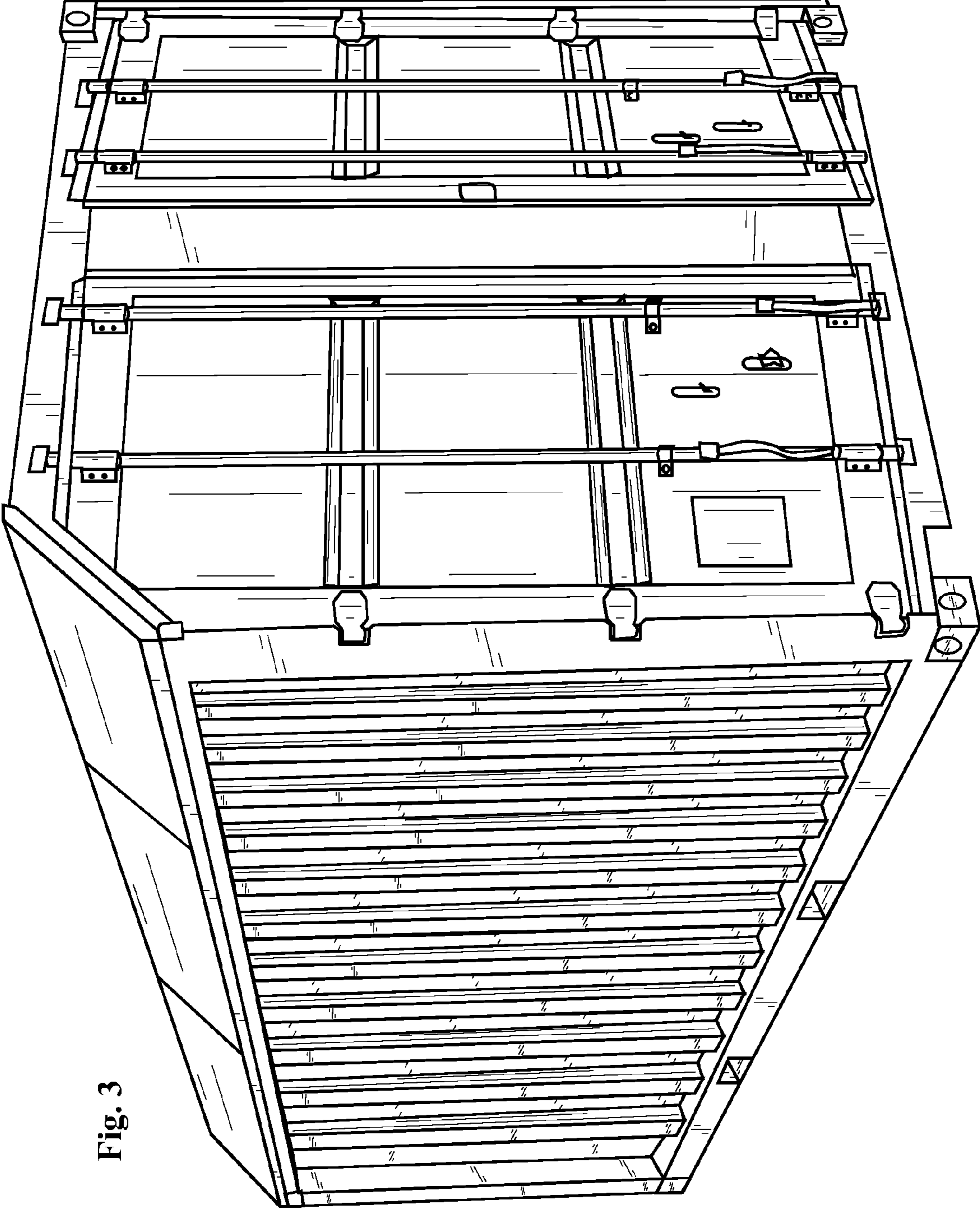


Fig. 3

Fig. 4

