



US00D647691S

(12) **United States Design Patent**  
**Beckett**

(10) **Patent No.:** **US D647,691 S**

(45) **Date of Patent:** **\*\* Nov. 1, 2011**

(54) **SANDAL UPPER**

(75) **Inventor:** **H. Rodney Beckett**, Pismo Beach, CA (US)

(73) **Assignee:** **Impo International LLC**, Santa Maria, CA (US)

(\*\*) **Term:** **14 Years**

(21) **Appl. No.:** **29/362,839**

(22) **Filed:** **Jun. 1, 2010**

(51) **LOC (9) Cl.** ..... **02-99**

(52) **U.S. Cl.** ..... **D2/971**

(58) **Field of Classification Search** ..... D2/896,  
D2/916-918, 925-942, 946, 969, 971; 36/1,  
36/83, 8.3, 45-58, 104, 108, 76 R  
See application file for complete search history.

(56) **References Cited**

**U.S. PATENT DOCUMENTS**

D86,393 S \* 3/1932 Miller ..... D2/933  
D94,034 S \* 12/1934 Koomruian ..... D2/932

D95,540 S \* 5/1935 Perugia ..... D2/926  
D106,077 S \* 9/1937 Wolock ..... D2/931  
D599,098 S \* 9/2009 Issler ..... D2/971

\* cited by examiner

*Primary Examiner* — Dominic Simone

(74) *Attorney, Agent, or Firm* — Christie, Parker & Hale, LLP

(57) **CLAIM**

The ornamental design for sandal upper, as shown and described.

**DESCRIPTION**

FIG. 1 is a perspective view of a sandal upper showing my new design;  
FIG. 2 is a top view thereof;  
FIG. 3 is a left side view thereof;  
FIG. 4 is a front view thereof;  
FIG. 5 is a right side view thereof; and,  
FIG. 6 is a perspective view of a second embodiment of FIG. 1.

The portion of the sandal shown in broken lines are for illustrative purposes only and form no part of the claimed design.

**1 Claim, 6 Drawing Sheets**

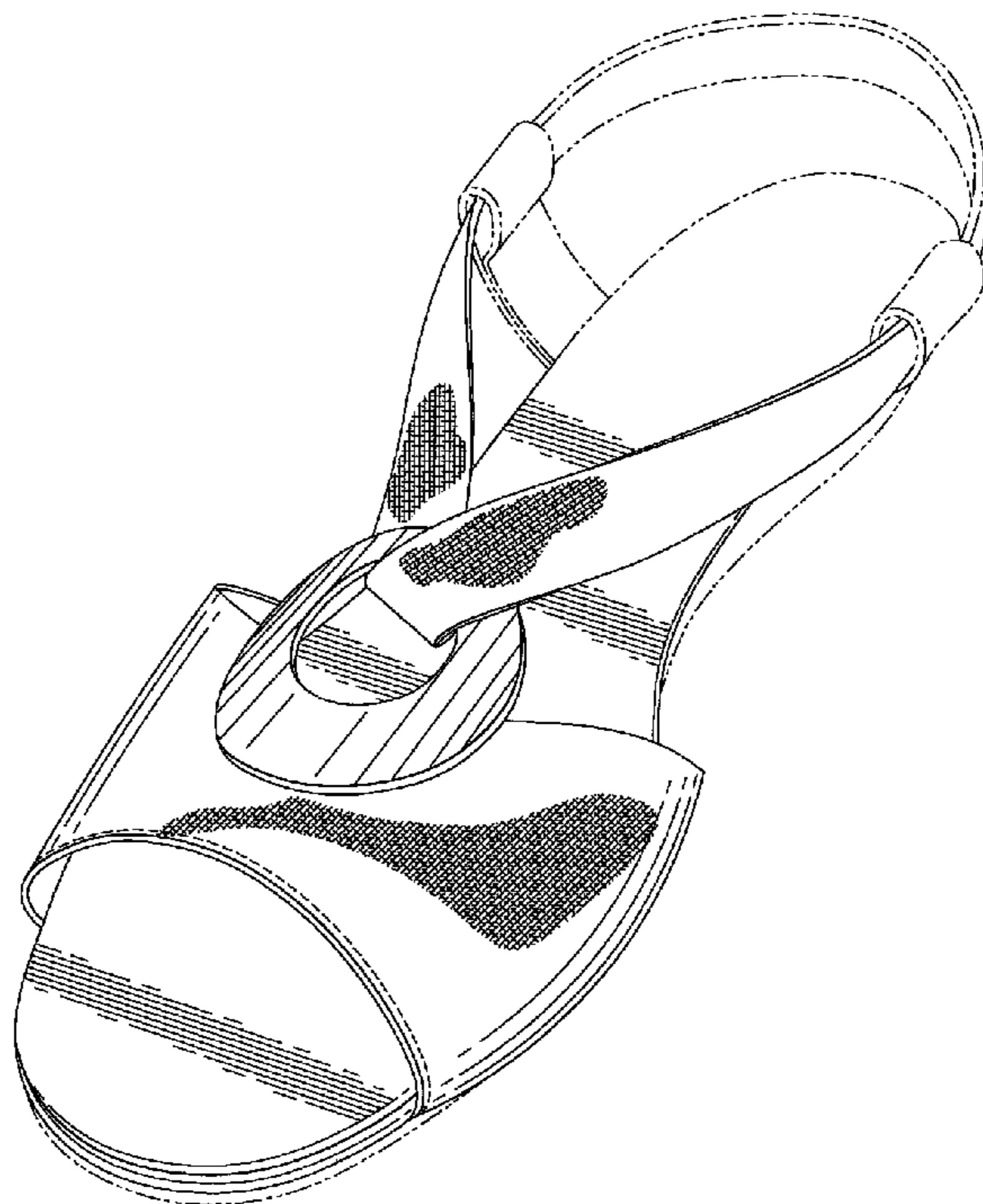
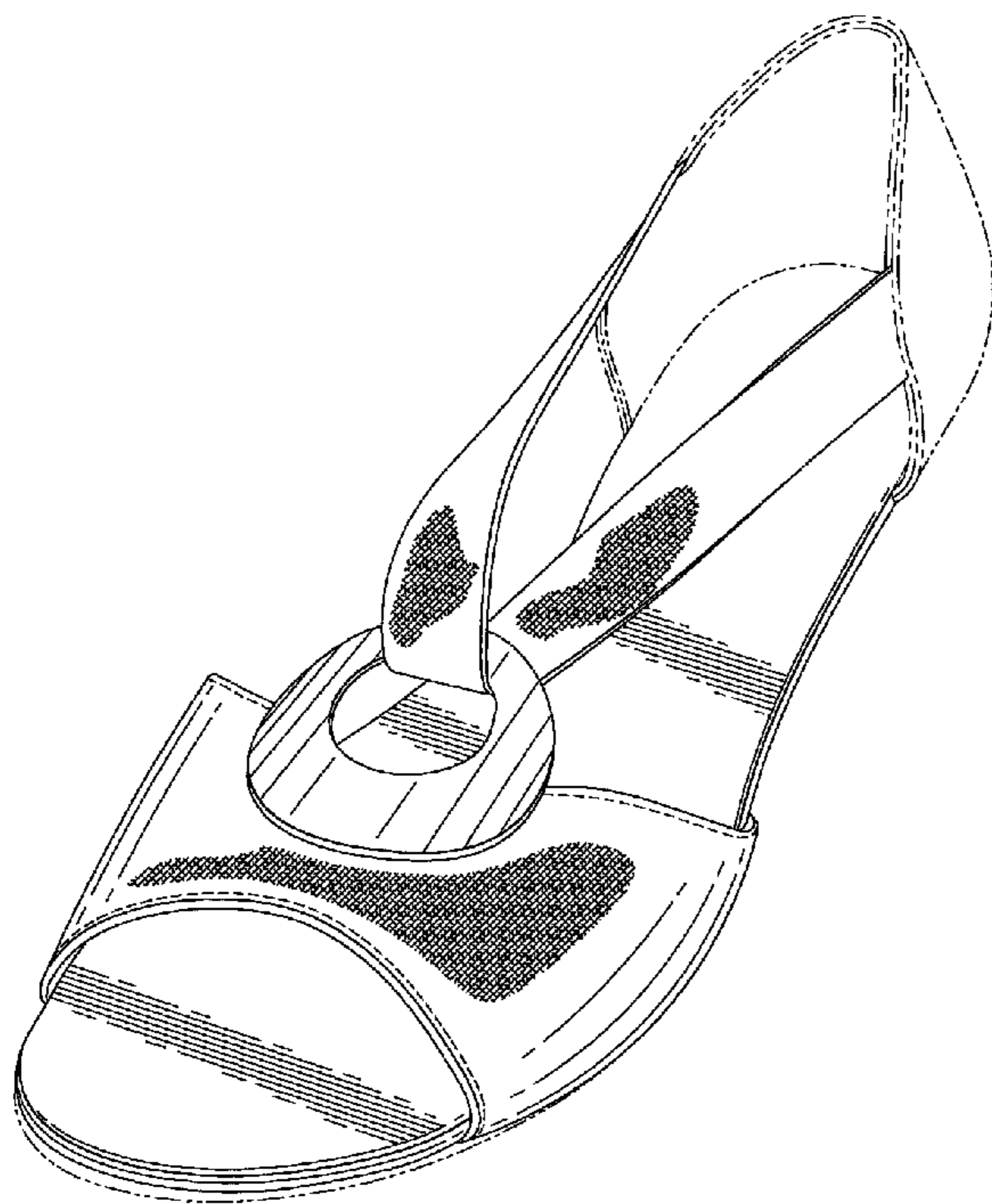


FIG. 1

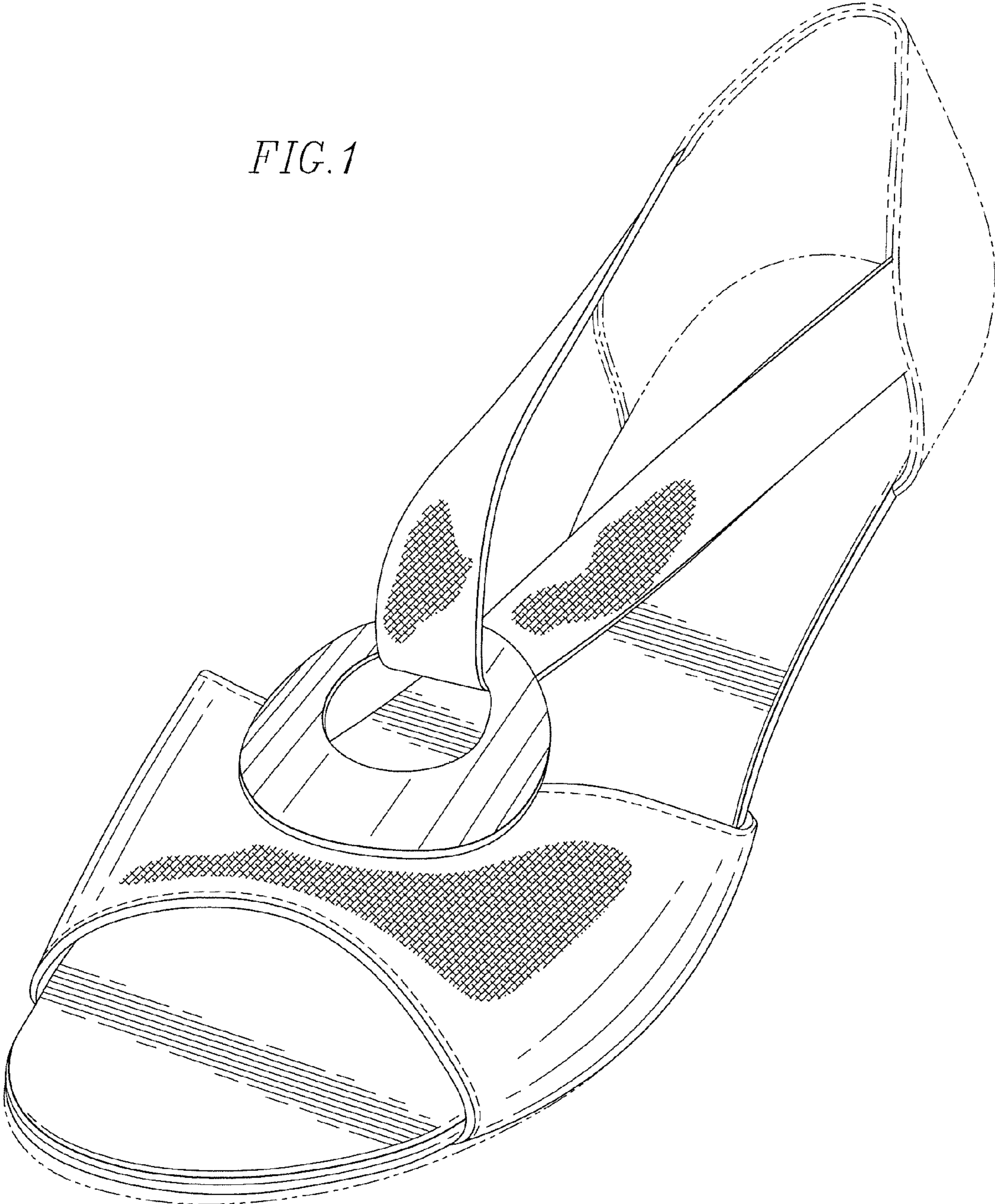


FIG. 2

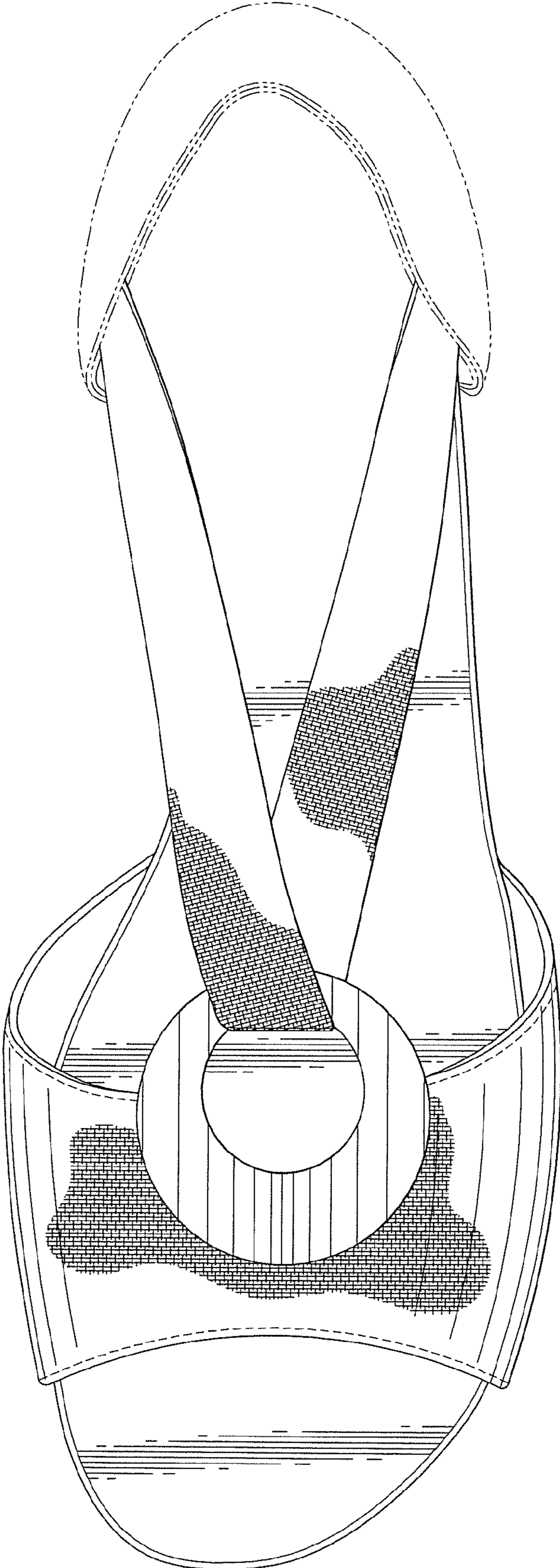


FIG. 3

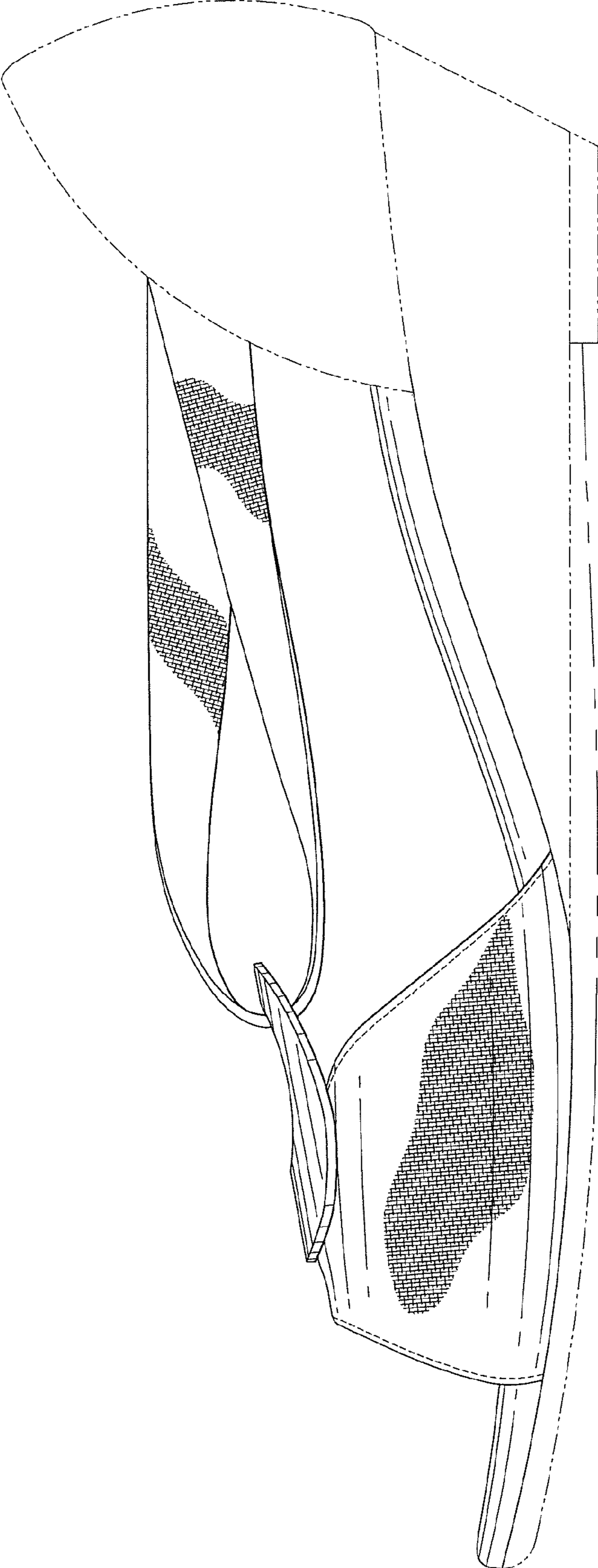


FIG. 4

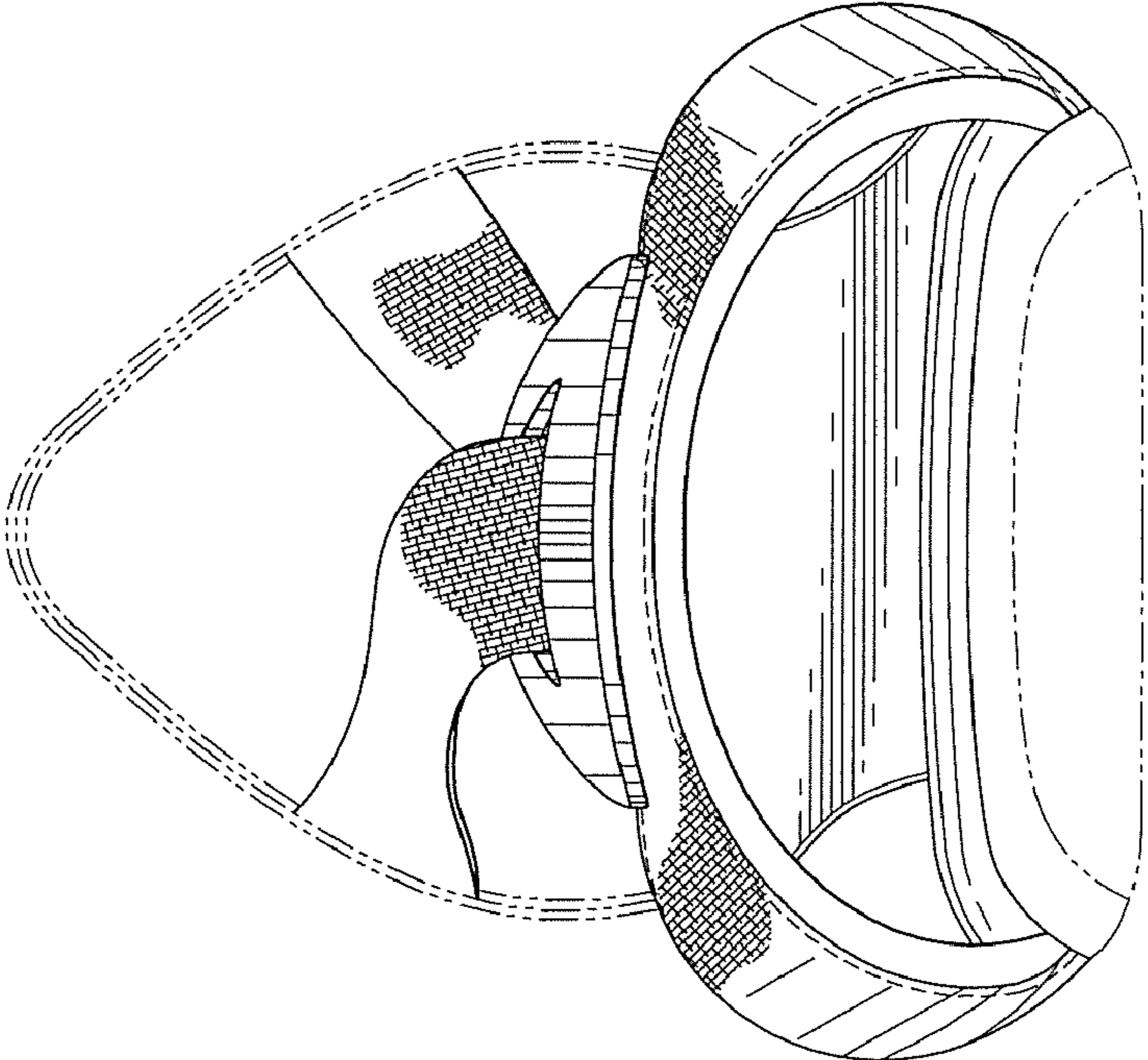


FIG. 5

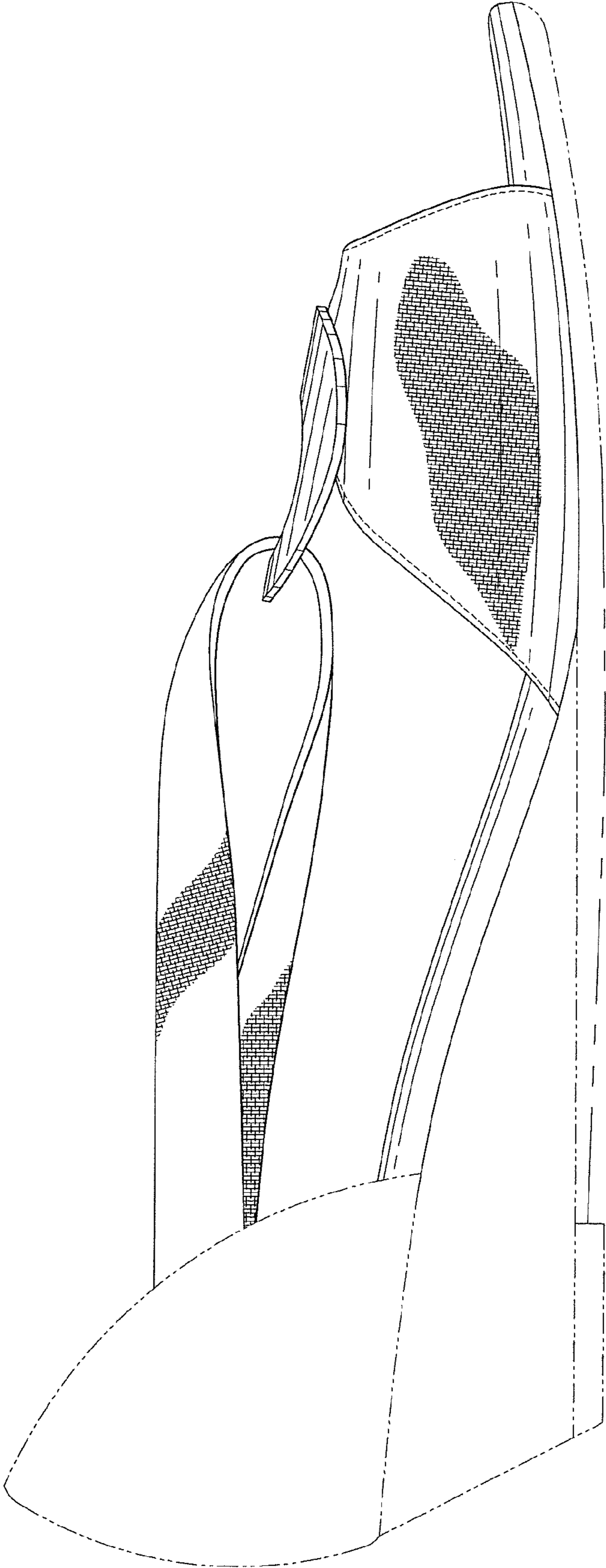


FIG. 6

