



US00D647688S

(12) **United States Design Patent**  
**Hilgart**

(10) **Patent No.:** **US D647,688 S**

(45) **Date of Patent:** **\*\* Nov. 1, 2011**

(54) **HOSPITAL GOWN**

(76) Inventor: **Kelly Hilgart**, Park Falls, WI (US)

(\*\*) Term: **14 Years**

(21) Appl. No.: **29/389,989**

(22) Filed: **Apr. 19, 2011**

(51) **LOC (9) Cl.** ..... **02-02**

(52) **U.S. Cl.** ..... **D2/720**

(58) **Field of Classification Search** ..... D2/720,

D2/724, 739, 750, 828, 838; 2/93, 96, 108

See application file for complete search history.

(56) **References Cited**

U.S. PATENT DOCUMENTS

1,497,685	A *	6/1924	Hoyme	.....	2/67
D236,293	S *	8/1975	Banks	.....	D2/860
4,422,186	A *	12/1983	Loney	.....	2/114
D305,575	S *	1/1990	Gordon et al.	.....	D2/720
5,572,742	A *	11/1996	McFadden	.....	2/114
D393,140	S *	4/1998	Shannon	.....	D2/720
5,991,923	A	11/1999	Maria		
6,216,271	B1	4/2001	Chen		
6,792,622	B2	9/2004	Graves		
D565,279	S *	4/2008	Farrell	.....	D2/720

D635,739	S *	4/2011	Toms et al.	.....	D2/720
2003/0126668	A1	7/2003	Scroggins		
2005/0143796	A1 *	6/2005	Augustine et al.	.....	607/104
2005/0262614	A1 *	12/2005	Eisenberg	.....	2/114
2010/0050315	A1 *	3/2010	Christou-Kelly et al.	.....	2/114
2010/0325774	A1 *	12/2010	Marquis et al.	.....	2/114
2011/0167534	A1 *	7/2011	Wong et al.	.....	2/114

\* cited by examiner

*Primary Examiner* — Rashida Johnson

(74) *Attorney, Agent, or Firm* — Crossley Patent Law; Mark A. Crossley

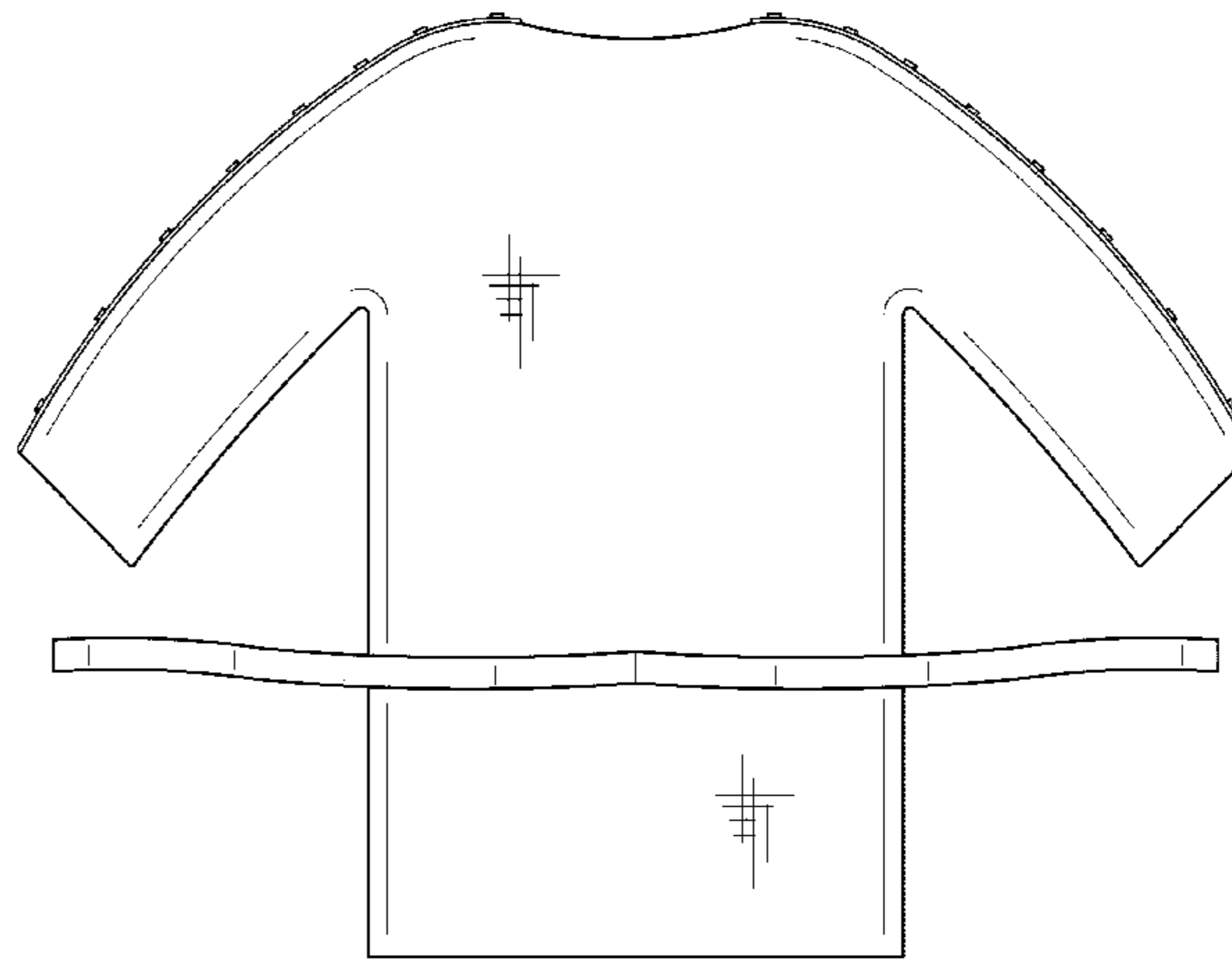
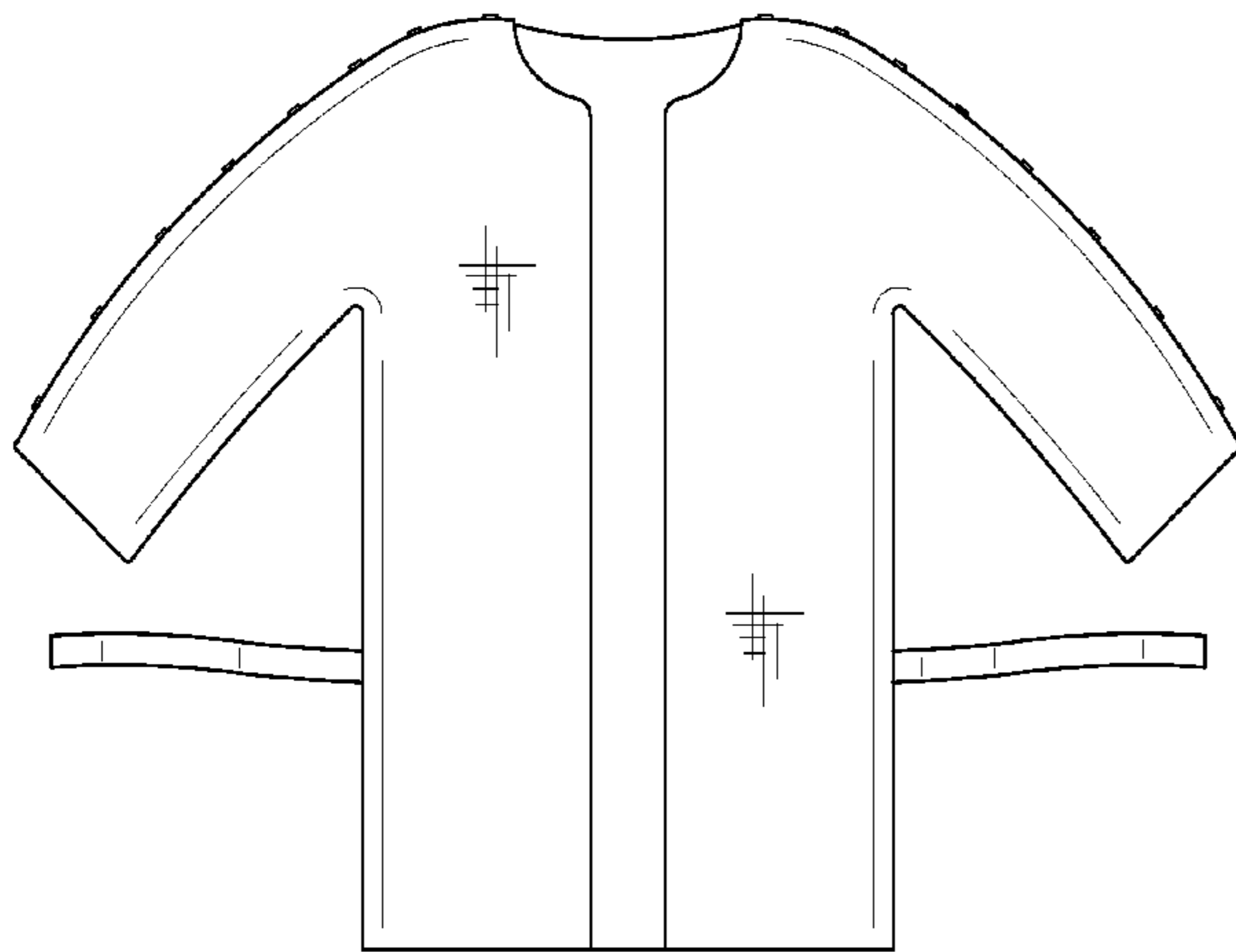
(57) **CLAIM**

The ornamental design for a hospital gown, as shown and described.

**DESCRIPTION**

FIG. 1 is a front elevational view of a hospital gown showing my new design;  
FIG. 2 is a rear elevational view thereof;  
FIG. 3 is a right side elevational view thereof, the opposite side being a mirror image thereof;  
FIG. 4 is a top plan view thereof; and,  
FIG. 5 is a bottom plan view thereof.

**1 Claim, 3 Drawing Sheets**



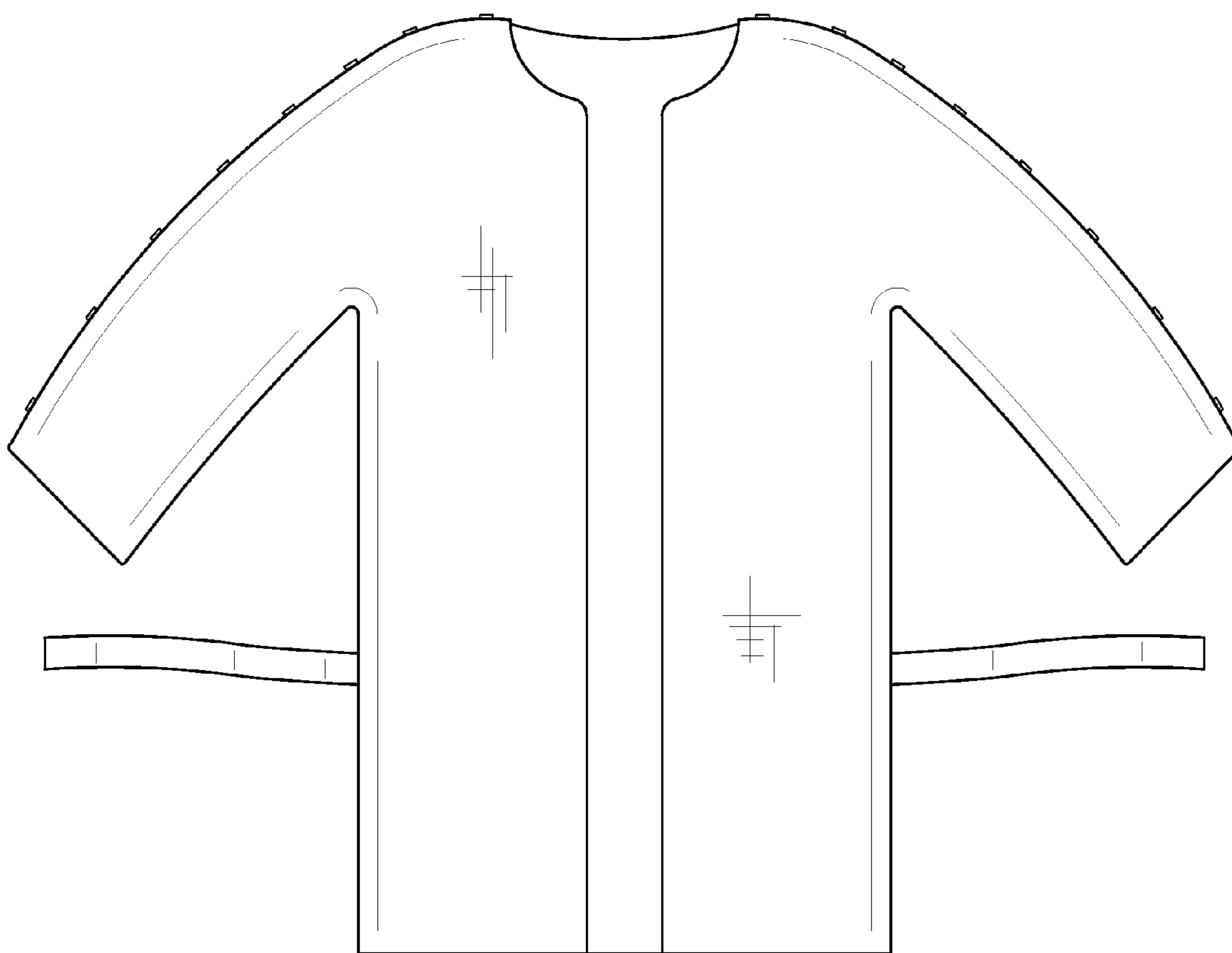


FIG. 1

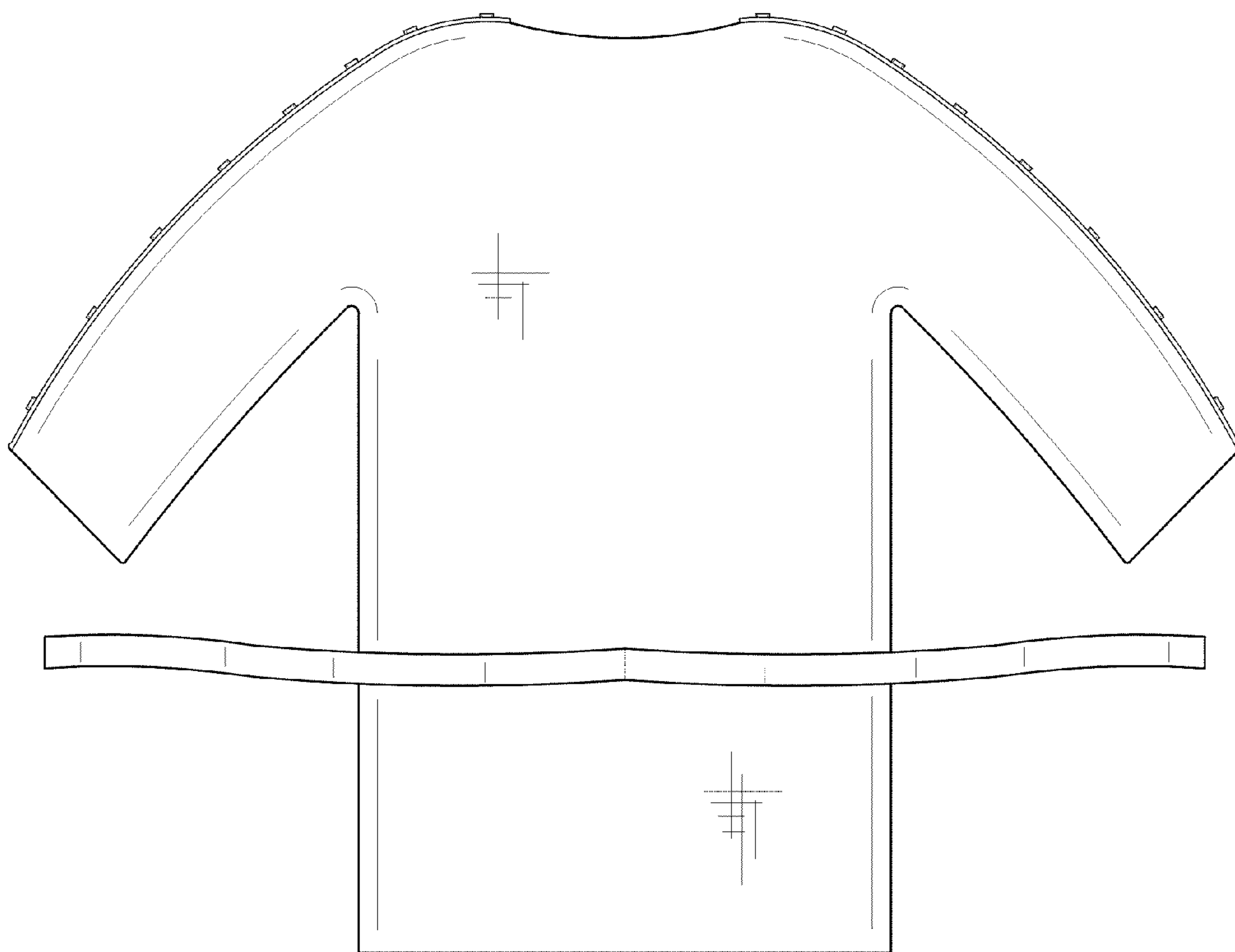


FIG. 2

FIG. 3

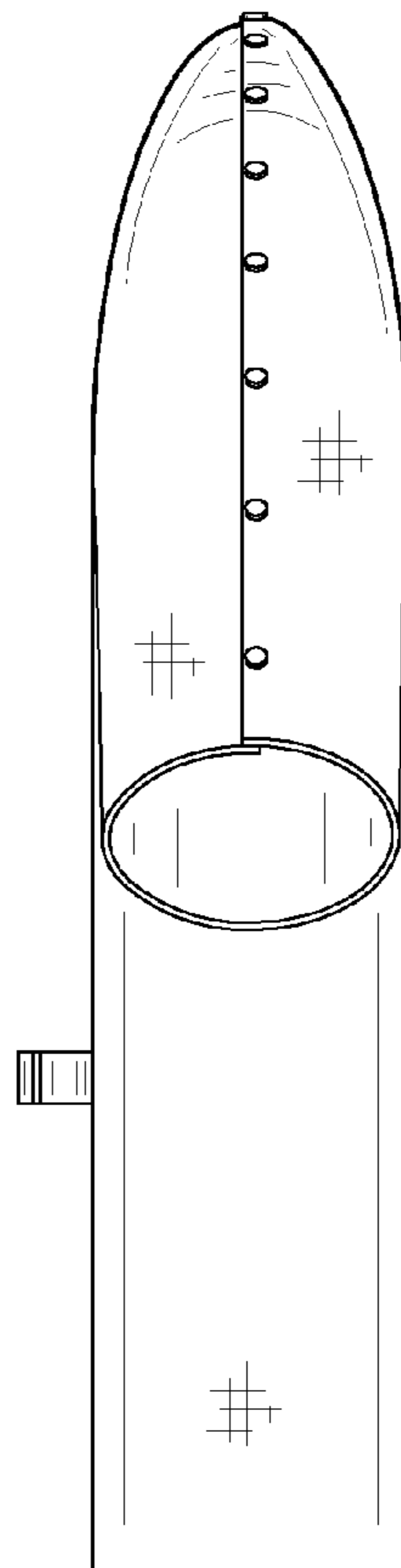


FIG. 4

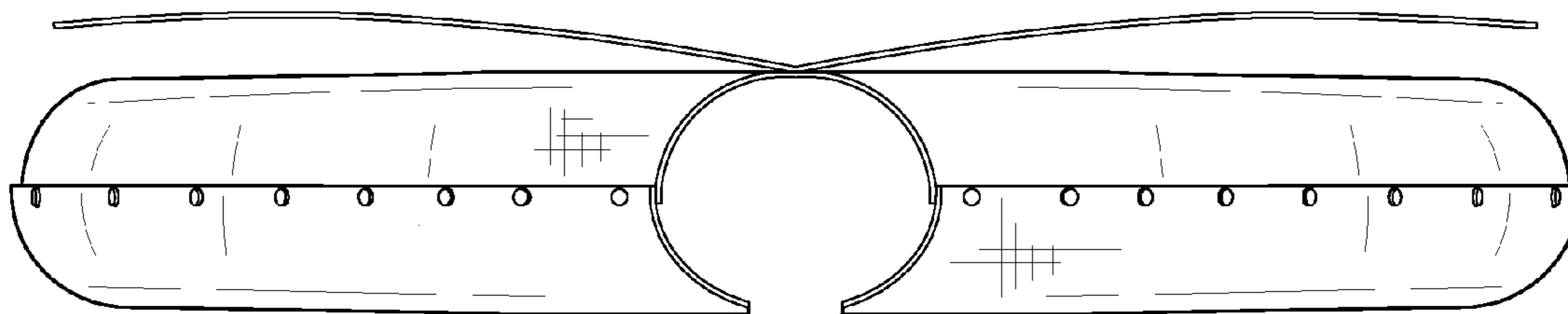


FIG. 5

