



US00D647685S

(12) **United States Design Patent**
Atkins

(10) **Patent No.:** **US D647,685 S**
(45) **Date of Patent:** **** Oct. 25, 2011**

- (54) **BLOCK PALLET**
 - (75) Inventor: **Thomas Atkins**, Newport Beach, CA (US)
 - (73) Assignee: **Plastics Research Corporation**, Ontario, CA (US)
 - (**) Term: **14 Years**
 - (21) Appl. No.: **29/378,227**
 - (22) Filed: **Nov. 1, 2010**
 - (51) **LOC (9) Cl.** **09-08**
 - (52) **U.S. Cl.** **D34/38**
 - (58) **Field of Classification Search** D34/38;
108/51.11, 51.3, 52.1, 53.1, 53.3, 55.3, 56.1,
108/57.1
- See application file for complete search history.

- 3,000,603 A 9/1961 Hemann
- 3,026,078 A 3/1962 Simkins
- 3,036,802 A 5/1962 Kitchell
- 3,079,876 A 3/1963 Doane
- 3,104,085 A 9/1963 Skladany
- 3,111,689 A 11/1963 Mulhauser
- 3,112,715 A 12/1963 Callahan et al.
- 3,123,020 A 3/1964 Voissem
- 3,131,655 A 5/1964 Sellers
- 3,140,672 A 7/1964 DeLuca
- 3,148,637 A 9/1964 Uad
- 3,192,099 A 6/1965 Beckman
- 3,199,469 A 8/1965 Sullivan
- 3,246,824 A 4/1966 Gardner
- 3,251,321 A 5/1966 Budd

(Continued)

FOREIGN PATENT DOCUMENTS

- DE 836401 C 4/1952
- (Continued)

Primary Examiner — Cynthia Ramirez

(74) *Attorney, Agent, or Firm* — Patent Procurement Services

(56) **References Cited**

U.S. PATENT DOCUMENTS

- 0,921,192 A 5/1909 Wheeler
- D82,642 S 11/1930 Rush
- 1,784,909 A 12/1930 Romine
- 1,953,303 A 4/1934 Kohlmann
- 2,128,118 A 8/1938 Burford
- 2,229,536 A 1/1941 Wilkich
- D133,106 S 7/1942 Phillips
- 2,338,645 A 1/1944 James
- 2,371,106 A 3/1945 Lewis et al.
- 2,444,183 A 6/1948 Cahners
- 2,463,214 A 3/1949 Stoner
- D154,451 S 5/1949 Wyatt
- 2,493,562 A 1/1950 Tannan
- 2,544,743 A 3/1951 Vrabcak
- 2,643,080 A 6/1953 Vogel
- 2,668,681 A 2/1954 Happen
- 2,673,052 A 3/1954 Kisch
- 2,745,523 A 5/1956 Biggs
- 2,774,490 A 12/1956 Strong
- 2,906,481 A 9/1959 Parker
- D190,210 S 4/1961 Angier
- 2,991,965 A 7/1961 Walters

(57)

CLAIM

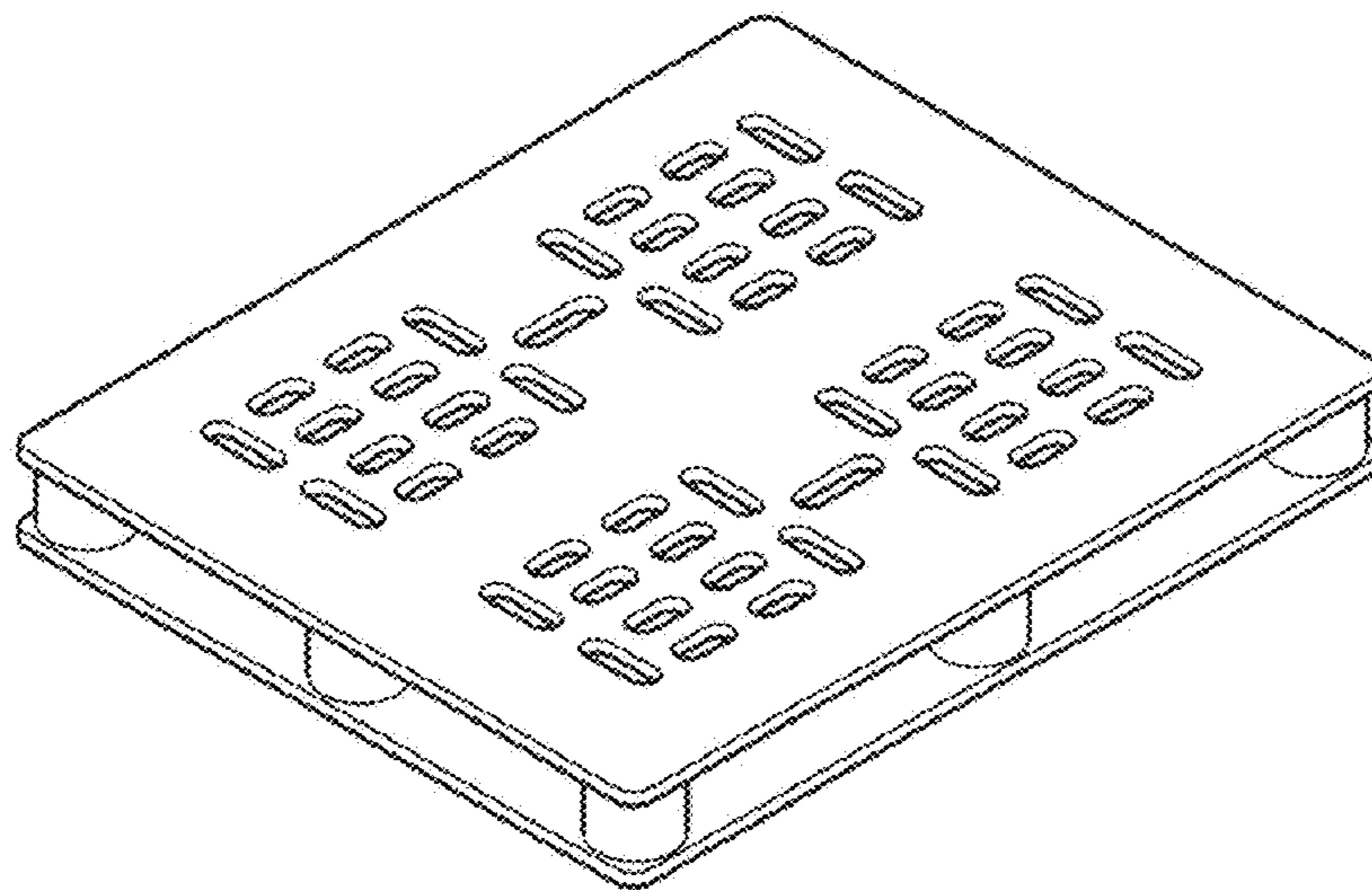
The ornamental design for a block pallet, as shown and described.

DESCRIPTION

FIG. 1 is a perspective top view of a block pallet showing my new design;
 FIG. 2 is a top plan view thereof;
 FIG. 3 is a side view, with the other side being identical thereof;
 FIG. 4 is a front view, with the rear being identical thereof;
 FIG. 5 is a perspective bottom view thereof; and,
 FIG. 6 is a bottom plan view thereof.

The broken lines shown in FIGS. 5 and 6 are included for the purpose of illustrating environment and form no part of the claimed design.

1 Claim, 2 Drawing Sheets



US D647,685 S

U.S. PATENT DOCUMENTS

3,251,322	A	5/1966	Downs	
3,267,882	A	8/1966	Nicholson	
3,269,336	A	8/1966	Naylor	
3,272,158	A	9/1966	Barnum	
3,294,040	A	12/1966	Gregoire	
3,302,593	A	2/1967	Roberts	
3,393,646	A	7/1968	Giacobe	
3,430,586	A	3/1969	Oswald	
3,433,184	A	3/1969	Addy	
3,470,663	A	10/1969	Tate	
3,511,191	A	5/1970	Barry, Jr. et al.	
D217,861	S	6/1970	Bailee	
3,531,855	A	10/1970	Spring	
D219,582	S	12/1970	Stout	
3,581,681	A	6/1971	Newton	
3,590,751	A	7/1971	Freid et al.	
D221,636	S	8/1971	Moses et al.	
3,604,368	A	9/1971	Baxter	
3,606,844	A	9/1971	Lubker et al.	
3,610,173	A	10/1971	McIlwraith et al.	
3,621,797	A	11/1971	Hunter	
3,626,860	A	12/1971	Blatt	
3,636,889	A	1/1972	Mangold	
3,650,224	A	3/1972	Petix et al.	
3,664,570	A	5/1972	Kupersmit	
3,667,403	A	6/1972	Angelbeck, Jr.	
3,680,496	A	8/1972	Westlake, Jr.	
3,699,901	A	10/1972	Cook, III	
3,710,157	A	1/1973	Wright	
3,717,922	A	2/1973	Witkowski	
3,719,157	A	3/1973	Arcocha et al.	
3,726,236	A	4/1973	Colas	
D226,844	S	5/1973	Box	
3,753,407	A	8/1973	Tilseth	
3,757,704	A	9/1973	Allgeyer et al.	
3,759,194	A	9/1973	Fujii et al.	
3,776,435	A	12/1973	Smith	
3,814,778	A	6/1974	Hosoda et al.	
3,858,526	A	1/1975	Lombard et al.	
D234,348	S *	2/1975	Moses	D34/38
3,884,440	A	5/1975	Rowley et al.	
3,926,321	A	12/1975	Trebilcock	
3,952,672	A	4/1976	Gordon et al.	
D242,336	S	11/1976	Steinlein	
4,013,020	A	3/1977	Schoeller et al.	
4,013,021	A	3/1977	Steinlein et al.	
4,051,787	A	10/1977	Nishitani et al.	
4,060,037	A	11/1977	Gustafsson	
4,103,857	A	8/1978	Levenhagen	
4,189,125	A	2/1980	Little	
4,249,657	A	2/1981	Bates	
4,254,927	A	3/1981	Stonhaus	
4,290,369	A	9/1981	Propst et al.	
4,397,246	A	8/1983	Ishida et al.	
D272,573	S *	2/1984	DeGironemo	D34/38
4,474,387	A	10/1984	Maranell et al.	
4,597,338	A	7/1986	Kreeger	
4,606,278	A	8/1986	Shuert	
4,824,136	A	4/1989	Baxter	
D306,419	S	3/1990	Merritt	
4,960,553	A	10/1990	DeBruine et al.	
4,991,811	A	2/1991	Portnoy	
5,046,587	A	9/1991	Jones	

5,054,805	A	10/1991	Hungerink et al.	
D321,498	S	11/1991	Jones	
5,080,960	A	1/1992	Smorada	
5,092,251	A	3/1992	Hamaker et al.	
5,105,746	A	4/1992	Reynolds	
5,123,359	A	6/1992	DelBalso	
5,186,338	A	2/1993	Boutet	
5,197,395	A *	3/1993	Pigott et al.	108/56.1
D344,033	S	2/1994	Davidge	
D346,681	S *	5/1994	Pigott et al.	D34/38
5,343,814	A	9/1994	Pigott et al.	
5,349,749	A	9/1994	Fiedler	
D357,108	S	4/1995	Hutchison	
D357,650	S	4/1995	Evans et al.	
5,419,524	A	5/1995	Evans et al.	
5,520,121	A	5/1996	Schubart et al.	
D371,882	S	7/1996	Kristoffersson	
D374,537	S	10/1996	de Bruyn et al.	
5,687,652	A	11/1997	Ruma	
5,690,037	A	11/1997	Hill	
5,769,376	A	6/1998	Bostic et al.	
5,778,801	A	7/1998	Delacour	
D403,830	S	1/1999	Apps et al.	
D409,814	S	5/1999	Herring	
D410,786	S	6/1999	Favaron et al.	
D411,682	S	6/1999	Edwards et al.	
D428,679	S	7/2000	Bridge	
D436,709	S	1/2001	Lux, Jr.	
6,199,487	B1	3/2001	Coddington	
D443,969	S	6/2001	Apps	
6,446,563	B1	9/2002	Ohanesian	
D476,789	S	7/2003	Apps et al.	
6,584,914	B1	7/2003	Koefeld	
D479,379	S	9/2003	Yamanouchi et al.	
D485,659	S	1/2004	Medoff et al.	
D494,337	S	8/2004	Carpenter et al.	
D495,460	S	8/2004	Apps et al.	
6,840,181	B2	1/2005	Smyers	
6,955,128	B2	10/2005	Apps	
D537,229	S	2/2007	Abe et al.	
D544,175	S *	6/2007	Valentinsson	D34/38
D584,874	S	1/2009	Sasnowski	
D633,273	S *	2/2011	Kellerer et al.	D34/38
2002/0134284	A1	9/2002	Apps	
2005/0145144	A1	7/2005	Gab	
2006/0272556	A1	12/2006	Apps	
2007/0289504	A1	12/2007	Harp et al.	

FOREIGN PATENT DOCUMENTS

DE	2232200	A1	1/1973
DE	2652702	A1	5/1977
DE	2918573	A1	11/1980
EP	0 572 946	A2	12/1993
FI	25518	A	5/1952
FR	1543637	A	10/1968
FR	2110348	A1	6/1972
FR	2231575	A1	12/1974
GB	1420222	A	1/1976
JP	57165213	A	10/1982
NL	9102161	A	7/1993
WO	WO-95/29102	A1	11/1995
WO	WO-97/39956	A1	10/1997
WO	WO-2003/051726	A2	6/2003

* cited by examiner

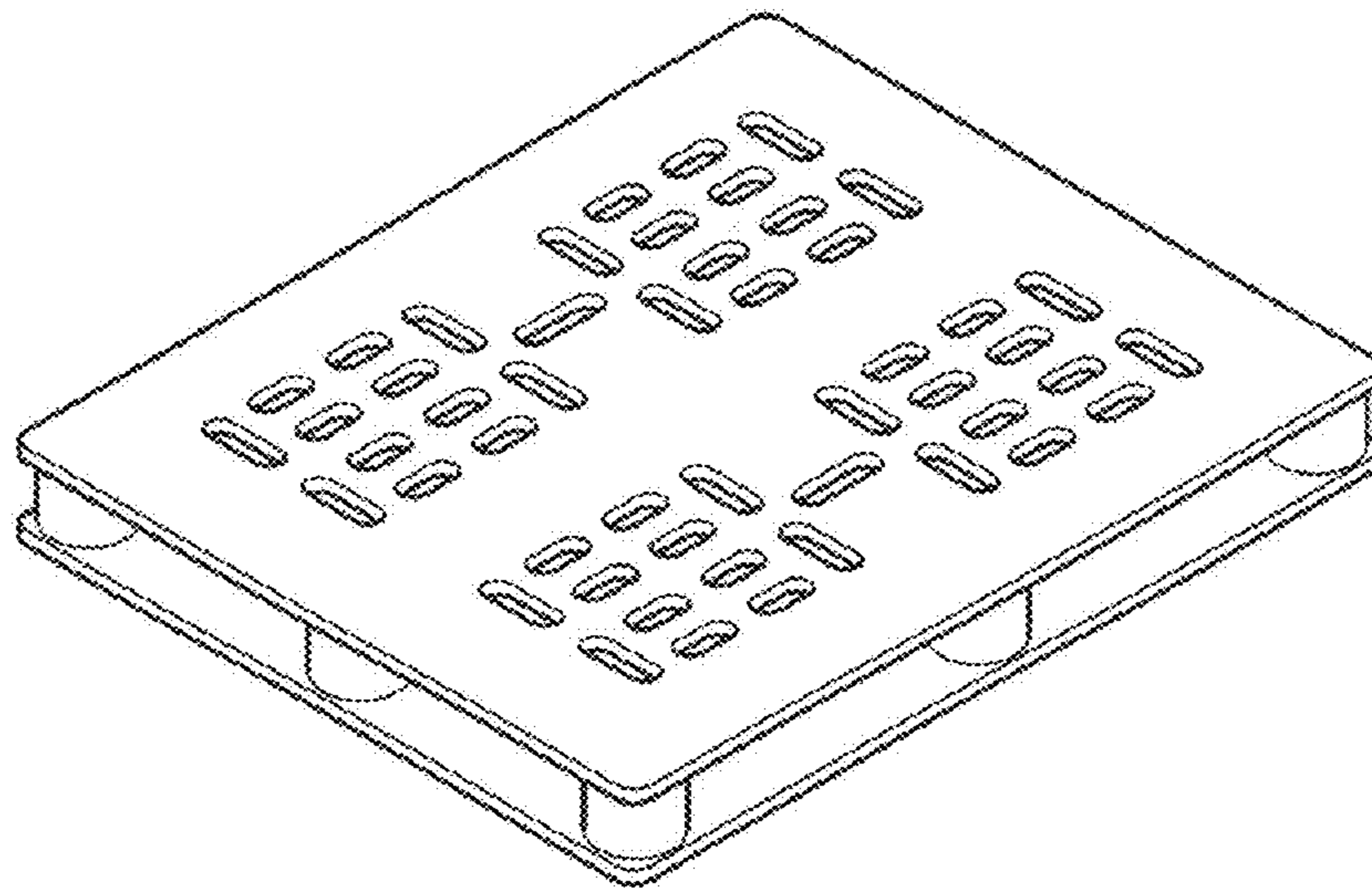


FIG. 1

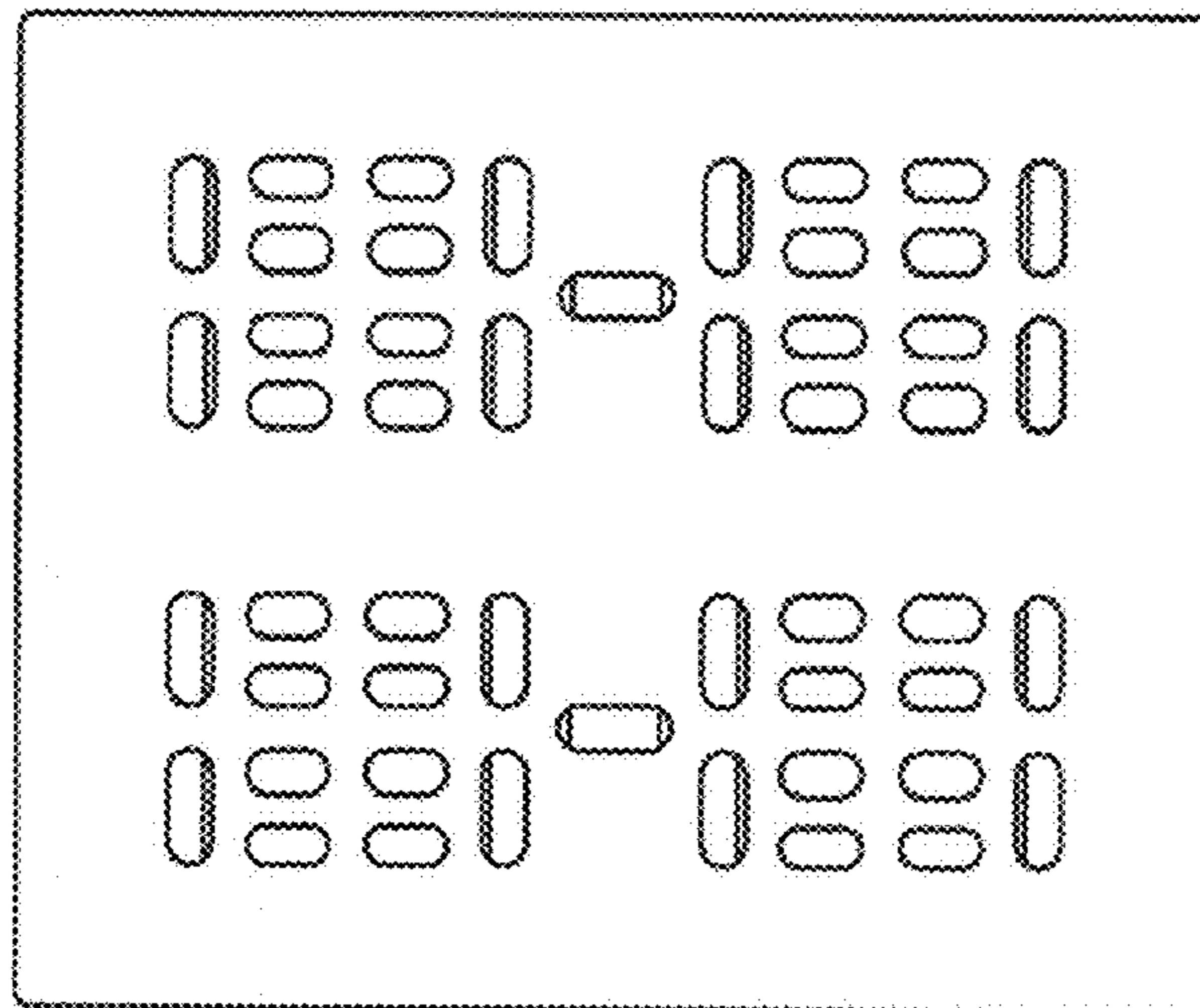


FIG. 2

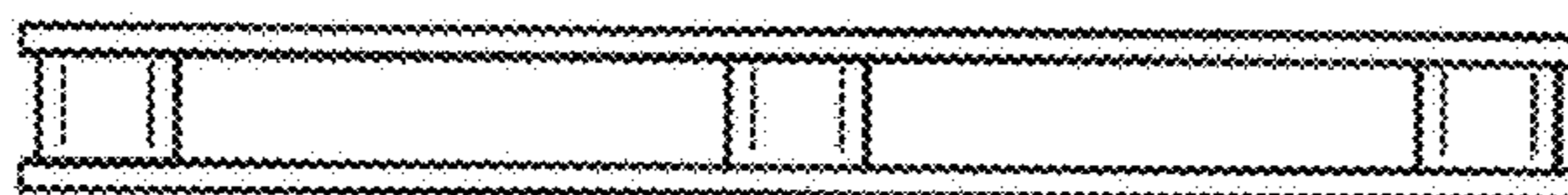


FIG. 3



FIG. 4

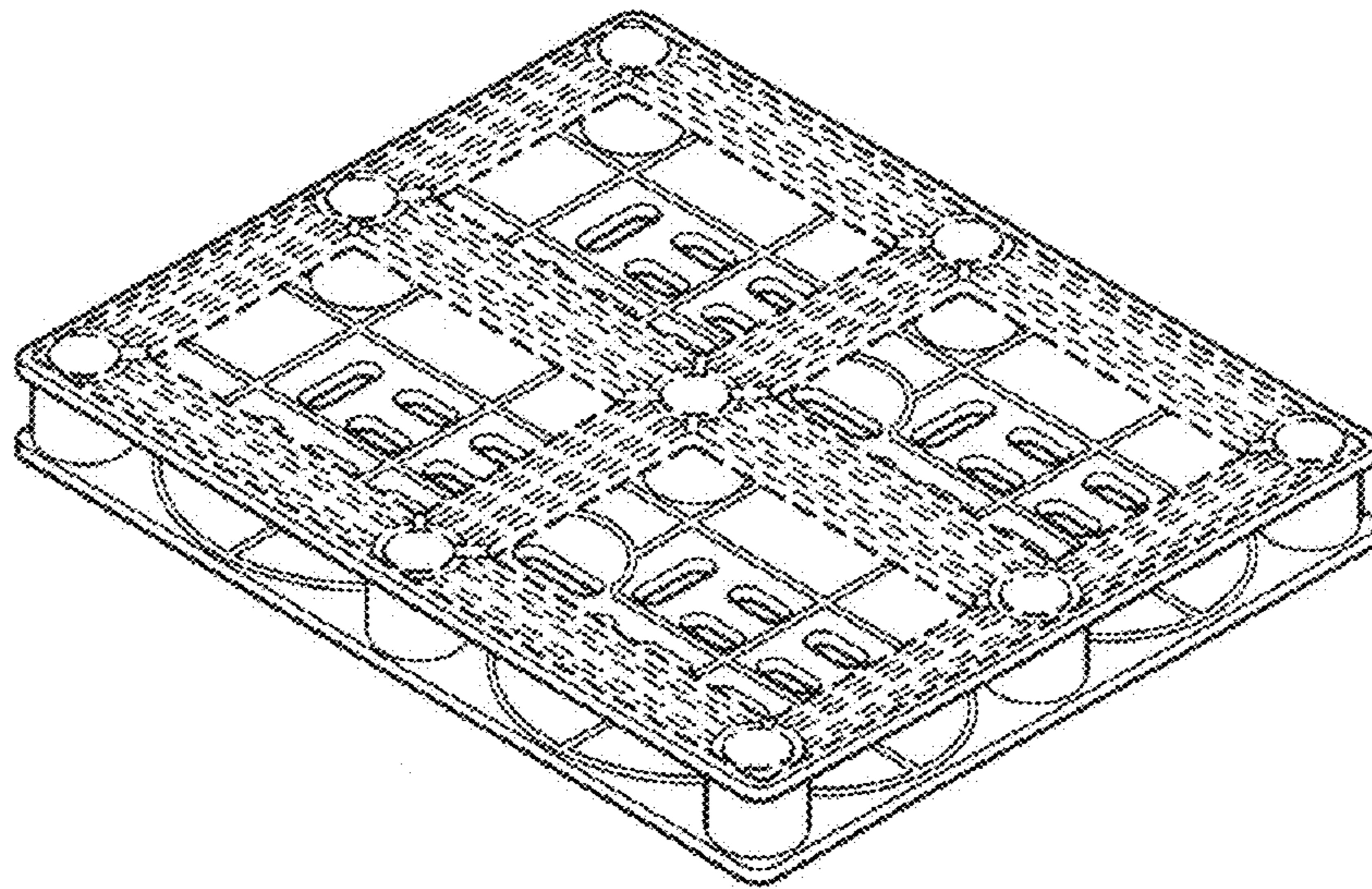


FIG. 5

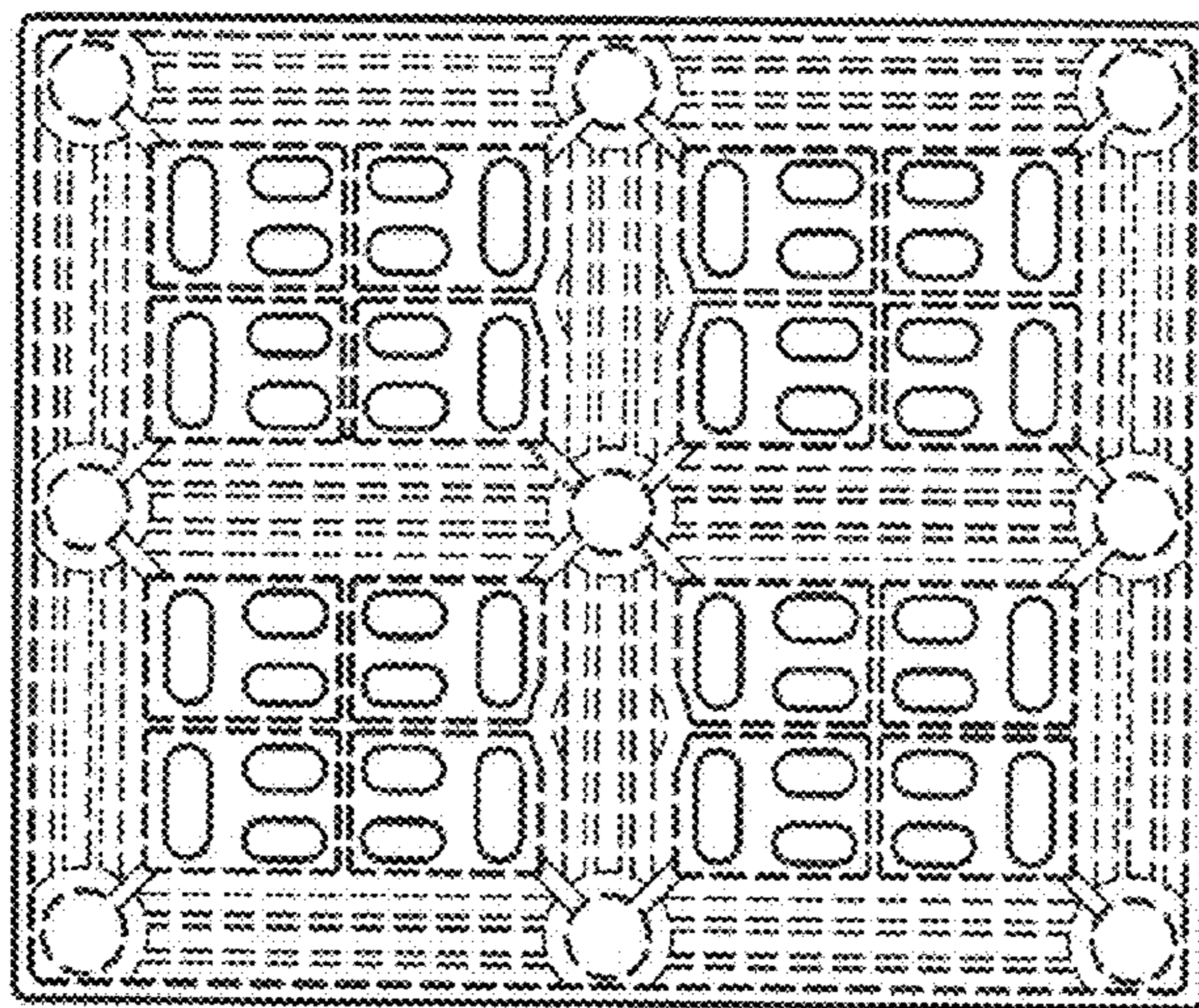


FIG. 6