



US00D647684S

(12) **United States Design Patent**
Grainger

(10) **Patent No.:** **US D647,684 S**

(45) **Date of Patent:** **** Oct. 25, 2011**

(54) **STORAGE AND TRANSPORTATION DEVICE**

5,671,854 A 9/1997 Thomas
5,709,443 A 1/1998 Lautenschlager
5,709,512 A 1/1998 Smith

(76) Inventor: **Allan Grainger**, Merthyr Tydfil (GB)

(Continued)

(**) Term: **14 Years**

FOREIGN PATENT DOCUMENTS

(21) Appl. No.: **29/350,360**

DE 23 44 186 9/1973

(Continued)

(22) Filed: **Nov. 16, 2009**

OTHER PUBLICATIONS

(51) **LOC (9) Cl.** **09-08**

(52) **U.S. Cl.** **D34/38**

U.S. Appl. No. 29/350,362, Allan Grainger.

(58) **Field of Classification Search** D34/38;
D6/462; 108/51.11, 53.1, 56.1, 56.3, 55.1,
108/57.13; 220/1.5

(Continued)

See application file for complete search history.

Primary Examiner — Cynthia Ramirez

(74) *Attorney, Agent, or Firm* — King & Schickli, PLLC

(56) **References Cited**

(57) **CLAIM**

U.S. PATENT DOCUMENTS

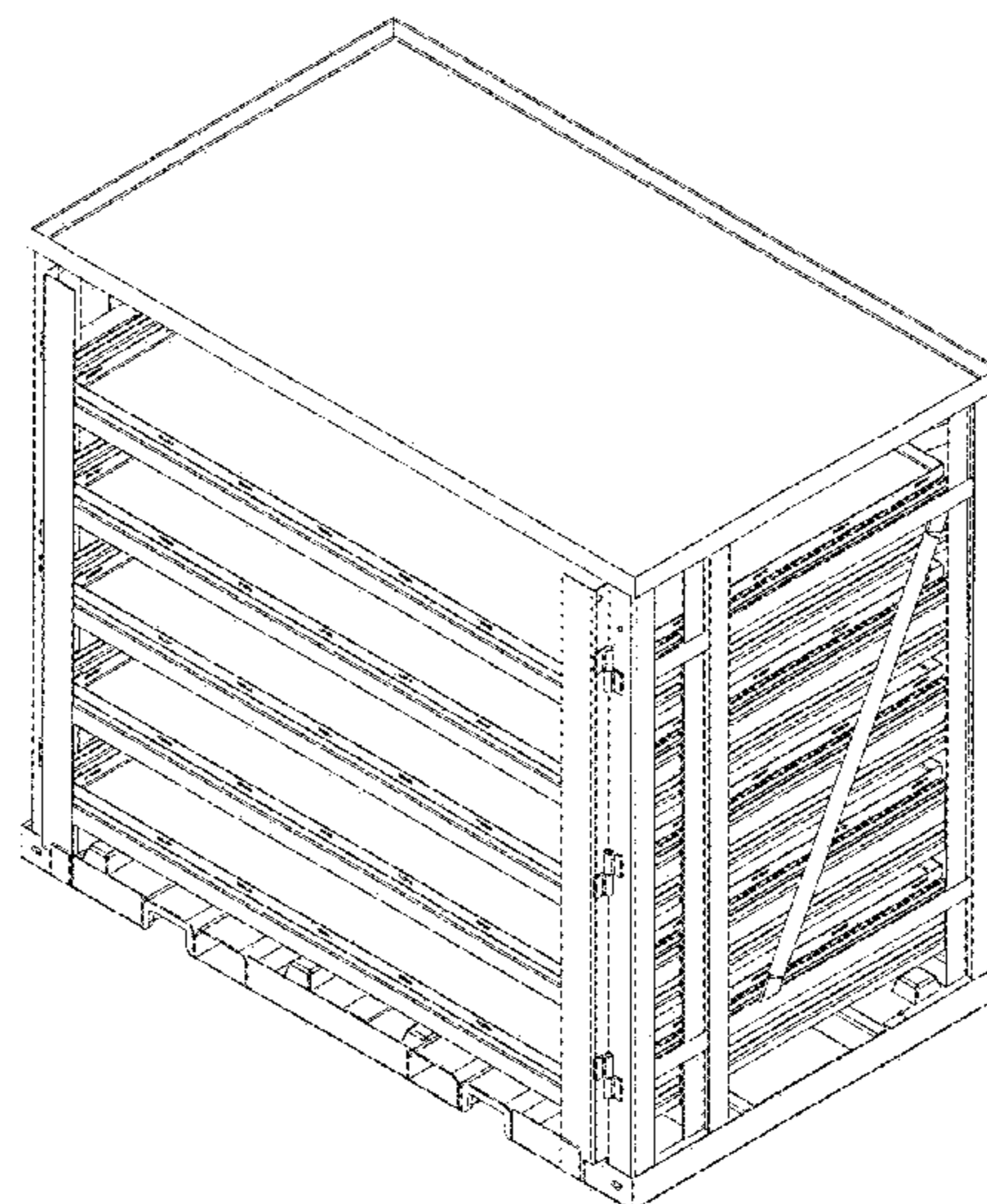
The ornamental design of a storage and transportation device, as shown and described.

1,252,816 A	1/1918	Kuehl	
2,891,639 A	6/1959	Betts	
3,529,878 A	9/1970	Blowers	
3,533,502 A	10/1970	Hansen	
3,784,054 A	1/1974	Mautz	
3,902,270 A	9/1975	Molenaar	
3,984,163 A	10/1976	Boorman, Jr. et al.	
4,090,633 A *	5/1978	Trubiano	220/6
4,186,841 A	2/1980	Buckley et al.	
4,191,436 A	3/1980	Cherry	
4,213,532 A	7/1980	Eggert et al.	
4,398,653 A	8/1983	Daloisio	
4,482,066 A	11/1984	Dykstra	
4,799,620 A	1/1989	Vilella	
4,836,395 A	6/1989	Goutille	
4,895,256 A	1/1990	Johnston	
5,147,120 A	9/1992	Ray	
5,150,484 A	9/1992	Whitten, Jr.	
5,211,461 A	5/1993	Teufel et al.	
5,262,923 A	11/1993	Batta et al.	
5,281,063 A	1/1994	Austin, III	
5,325,975 A	7/1994	Brown et al.	
5,452,811 A	9/1995	Taravella et al.	
5,531,352 A	7/1996	Kraft et al.	
5,641,082 A	6/1997	Grainger	

DESCRIPTION

FIG. 1 is a perspective view of a first embodiment of the device;
FIG. 2 is a top view of the first embodiment of the device;
FIG. 3 is a front view of the first embodiment of the device;
FIG. 4 is side view of the first side of the first embodiment of the device;
FIG. 5 is a side view of a second side of the first embodiment of the device;
FIG. 6 is a top view of a second embodiment of the device;
FIG. 7 is a front view of the second embodiment of the device;
FIG. 8 is a side view of the second embodiment of the device;
and,
FIG. 9 is a back view of the second embodiment of the device.
The broken lines in the drawings are included for the purpose of illustrating portions of the storage and transportation device and form no part of the claimed design.

1 Claim, 9 Drawing Sheets



US D647,684 S

Page 2

U.S. PATENT DOCUMENTS

D402,037 S * 12/1998 Hofstad D34/38
6,059,130 A 5/2000 Grainger
6,168,249 B1 1/2001 Chien
6,209,979 B1 4/2001 Fall et al.
6,422,399 B1 7/2002 Castillo et al.
6,619,772 B2 9/2003 Dierbeck
6,691,885 B2 * 2/2004 Brown 220/7
6,702,124 B2 3/2004 Lauchner et al.
6,726,164 B1 4/2004 Baiza et al.
6,863,003 B2 3/2005 Grainger
6,938,967 B2 9/2005 Dubon et al.
6,962,397 B2 11/2005 Dobler et al.
7,140,502 B2 11/2006 Grainger
D546,023 S * 7/2007 Hawes D34/38
D547,525 S * 7/2007 Naruishi et al. D34/38
7,481,504 B2 1/2009 Chen et al.
D609,425 S * 2/2010 Svedberg D34/38
2002/0153682 A1 10/2002 Gruber
2003/0146361 A1 8/2003 Grainger
2004/0108797 A1 6/2004 Chen et al.
2004/0112260 A1 6/2004 Grainger
2004/0149754 A1 8/2004 Diamant
2004/0232097 A1 11/2004 Grainger
2005/0082284 A1 * 4/2005 Ouyang 220/1.5
2006/0049197 A1 3/2006 Grainger
2006/0266726 A1 11/2006 Swanson
2007/0000920 A1 * 1/2007 Naruishi et al. 220/1.5
2007/0278169 A1 12/2007 Grainger

2007/0278918 A1 12/2007 Grainger
2008/0012456 A1 1/2008 Judge et al.
2008/0203873 A1 8/2008 Lautenschlager
2008/0264304 A1 10/2008 Grainger
2009/0060700 A1 3/2009 Grainger
2010/0012607 A1 1/2010 Grainger

FOREIGN PATENT DOCUMENTS

DE 37 20 409 7/1988
DE 201 17 805 5/2002
EP 0 791 312 8/1997
FR 1 328 018 9/1963
FR 2 753 891 4/1998
GB 1002071 8/1965
GB 1145532 3/1969
GB 2 353 012 2/2001
JP 2000-168779 6/2000
SE 459 146 6/1989

OTHER PUBLICATIONS

U.S. Appl. No. 29/350,366, Allan Grainger.
U.S. Appl. No. 29/350,368, Allan Grainger.
U.S. Appl. No. 29/351,031, Allan Grainger.
Mobile Shelter Systems, <http://web.archive.org/web/20040415125838/http://www.mssno.com/> Products: Storage Transport and Frame: Q-STF, Apr. 15, 2004.

* cited by examiner

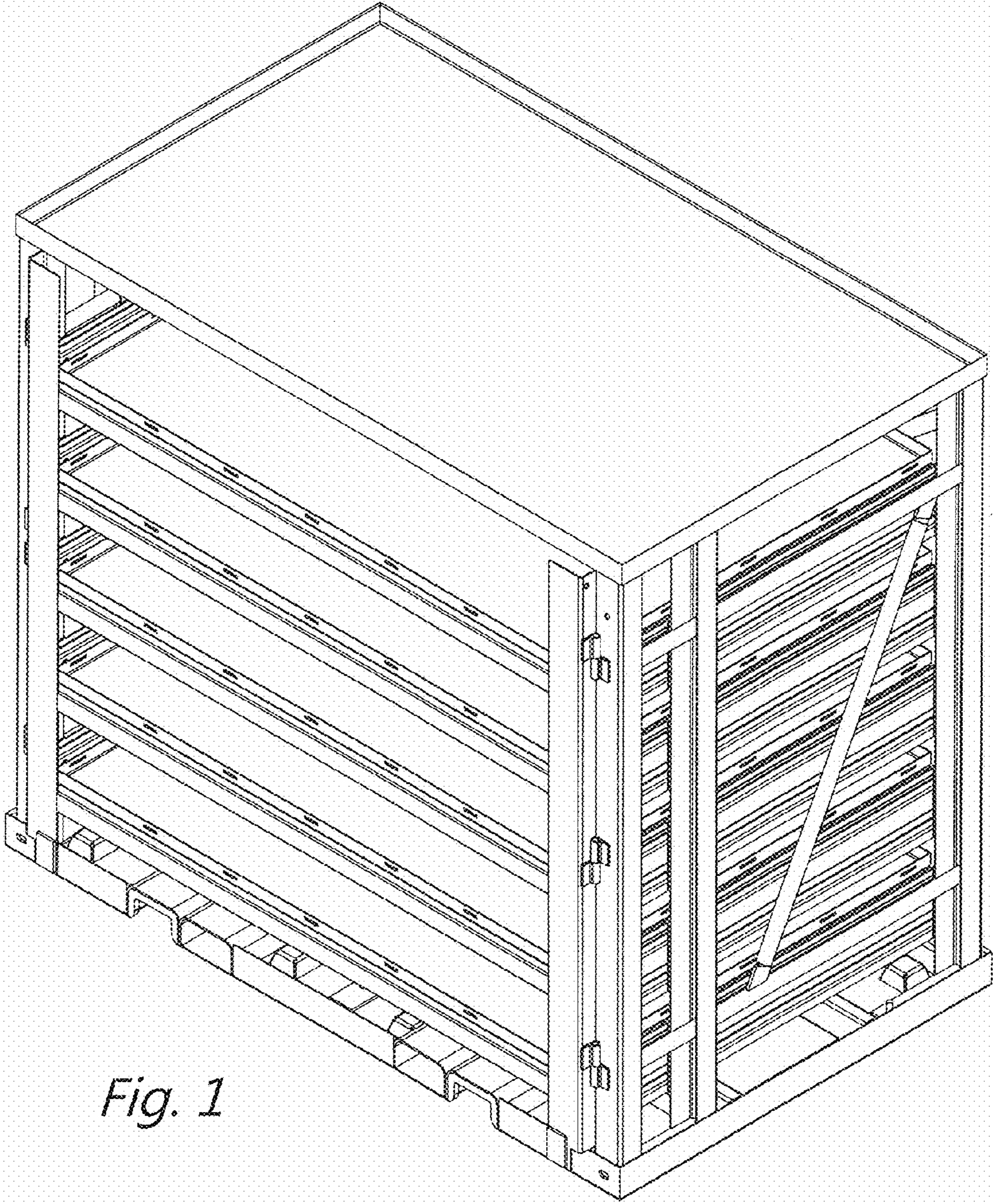


Fig. 1

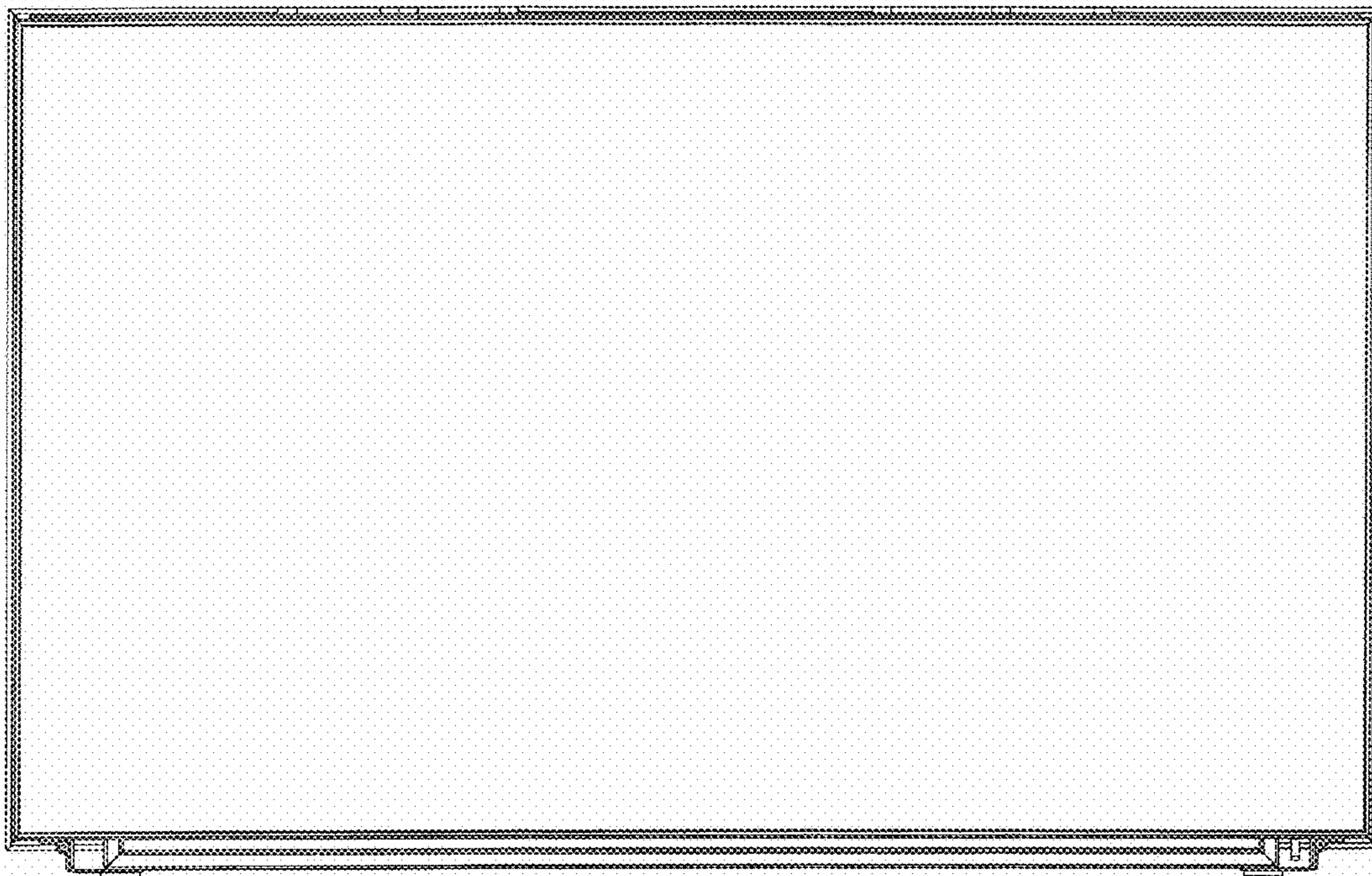


Fig. 2

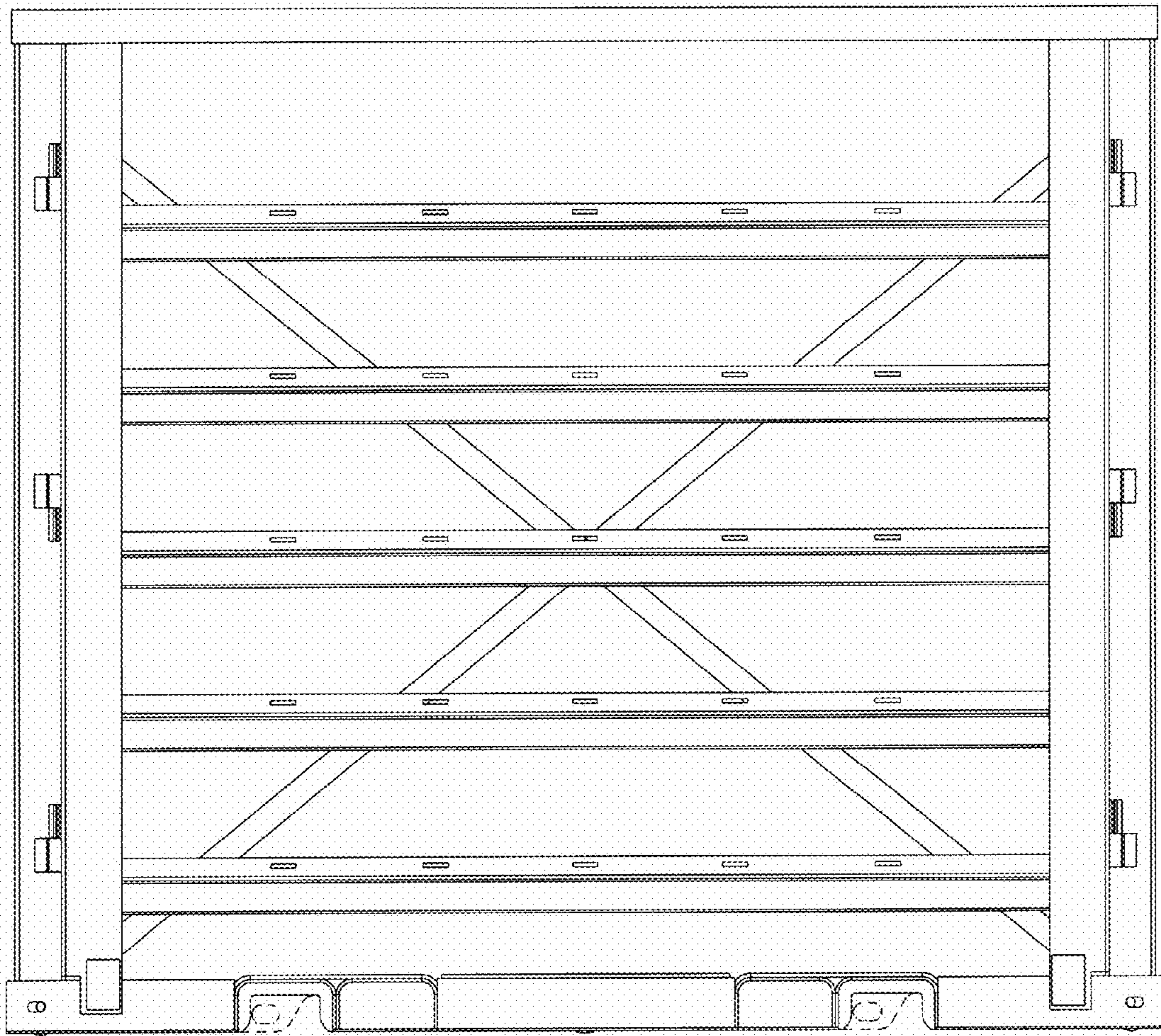


Fig. 3

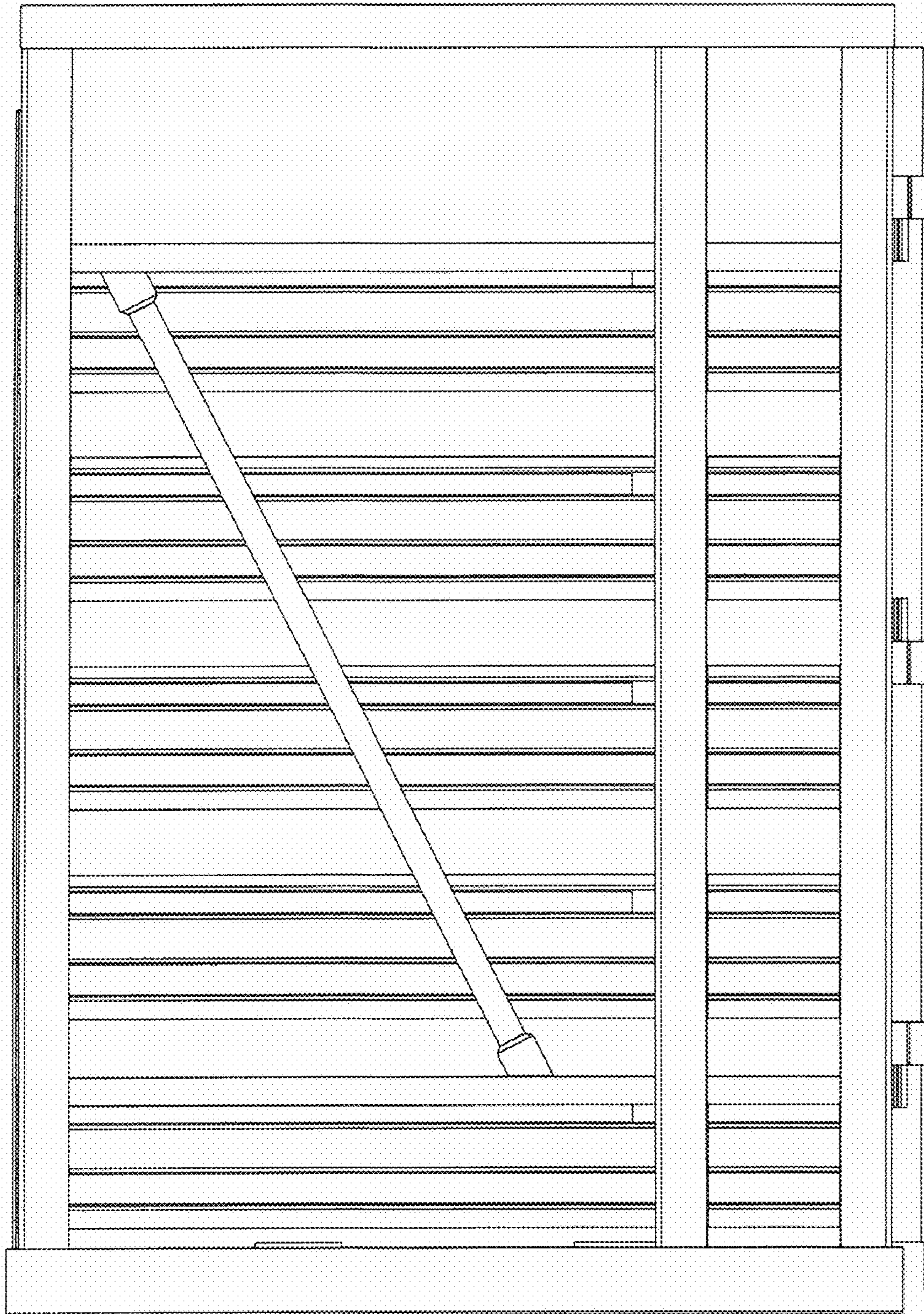


Fig. 4

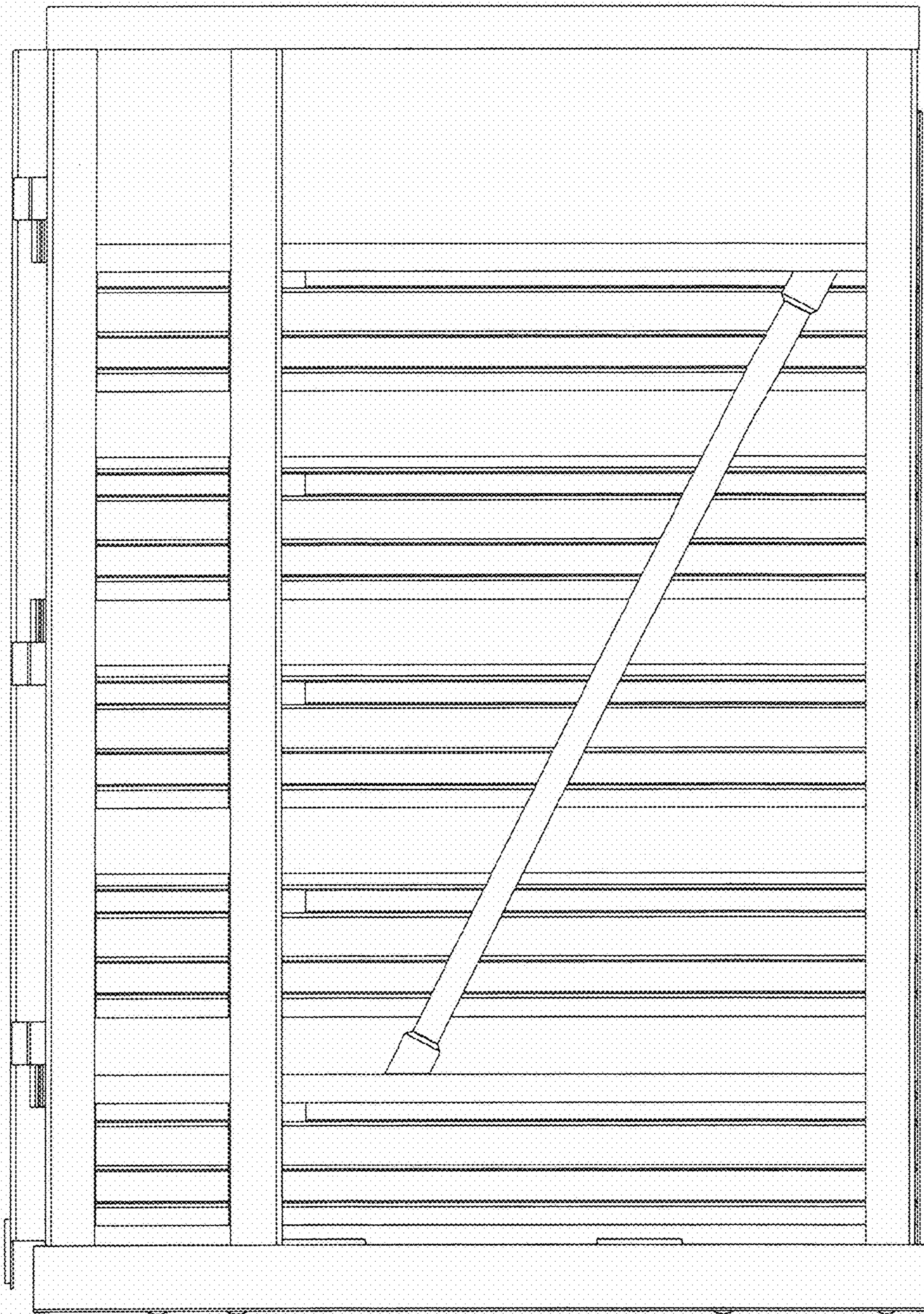


Fig. 5

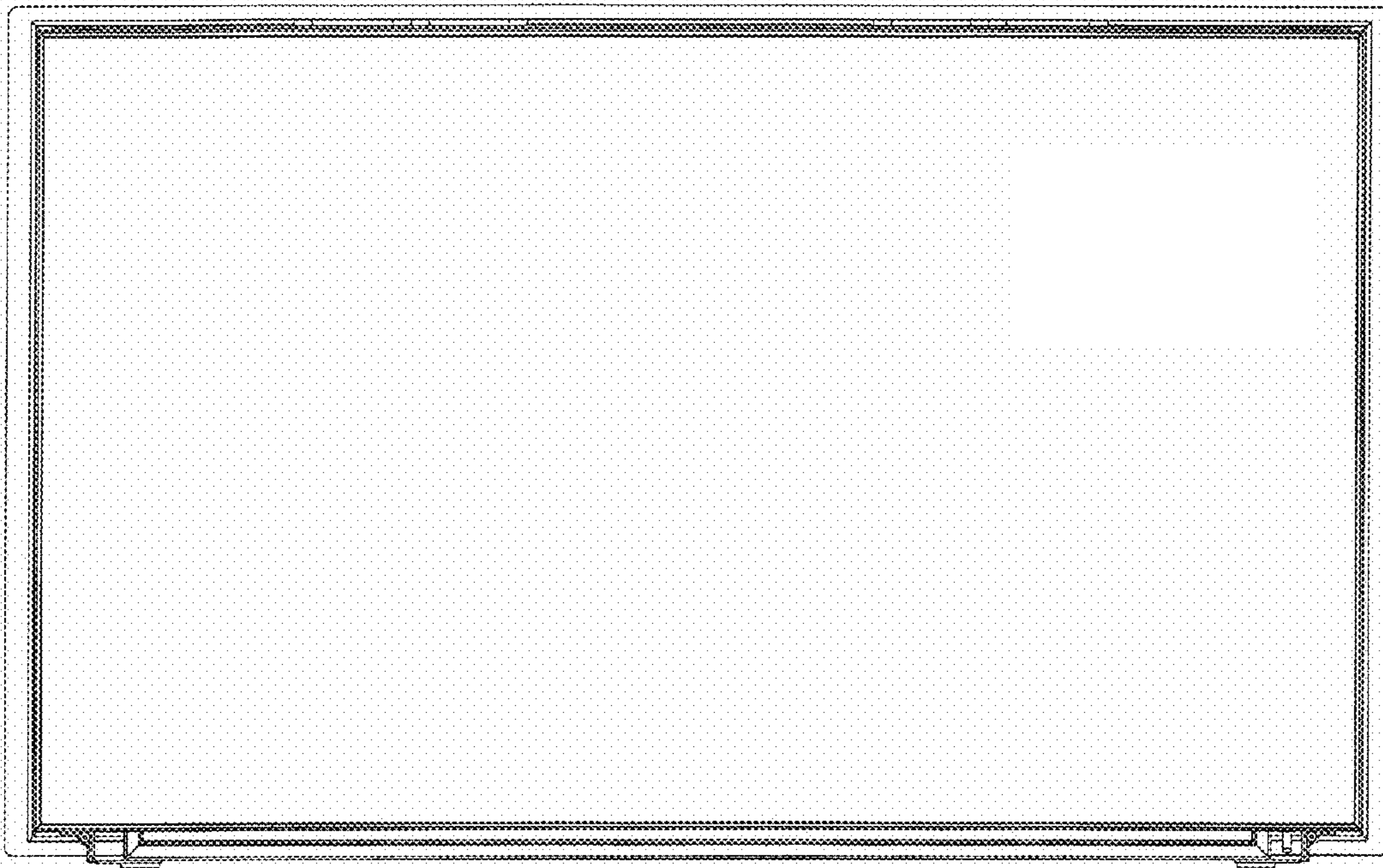


Fig. 6

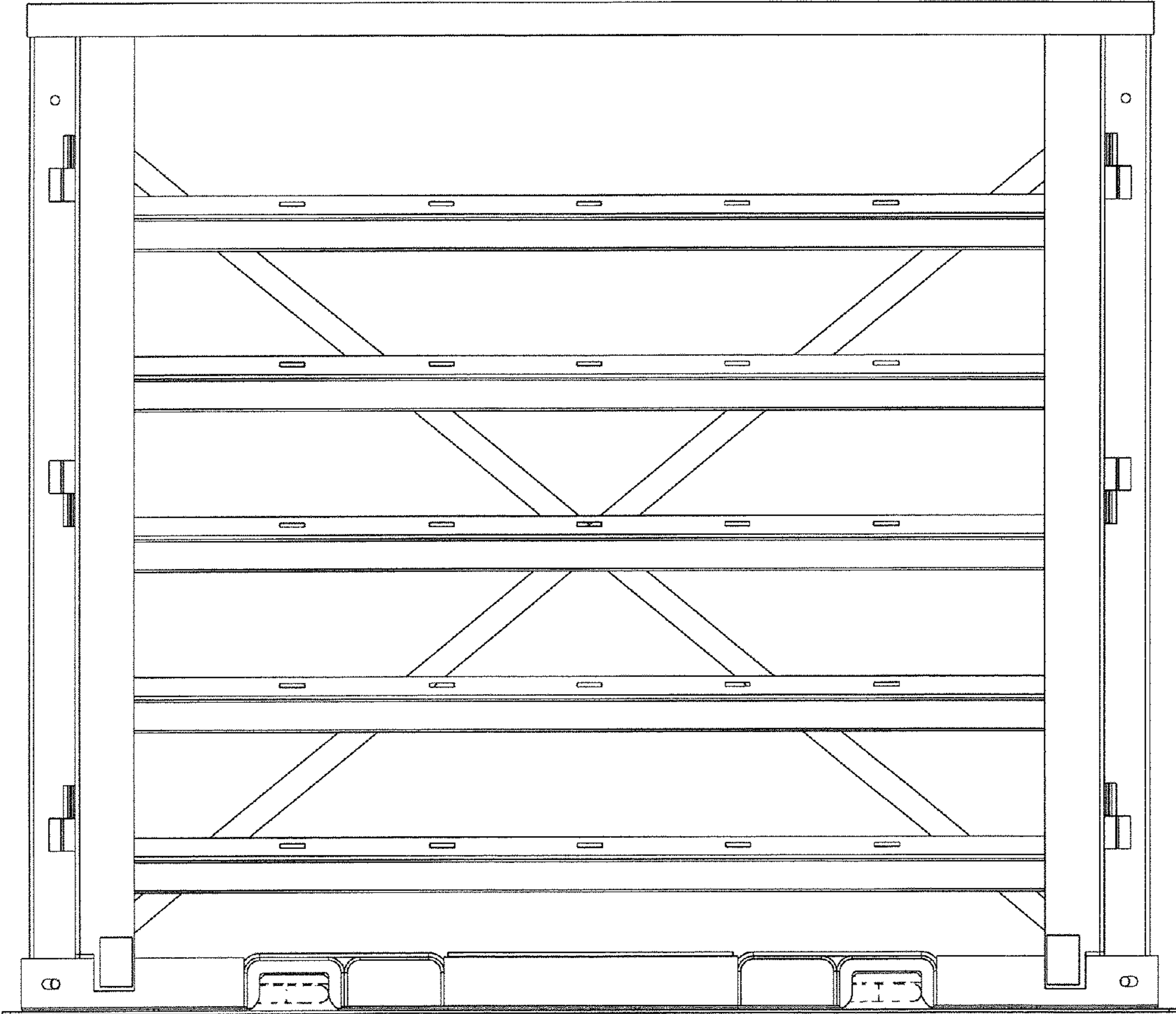


Fig. 7

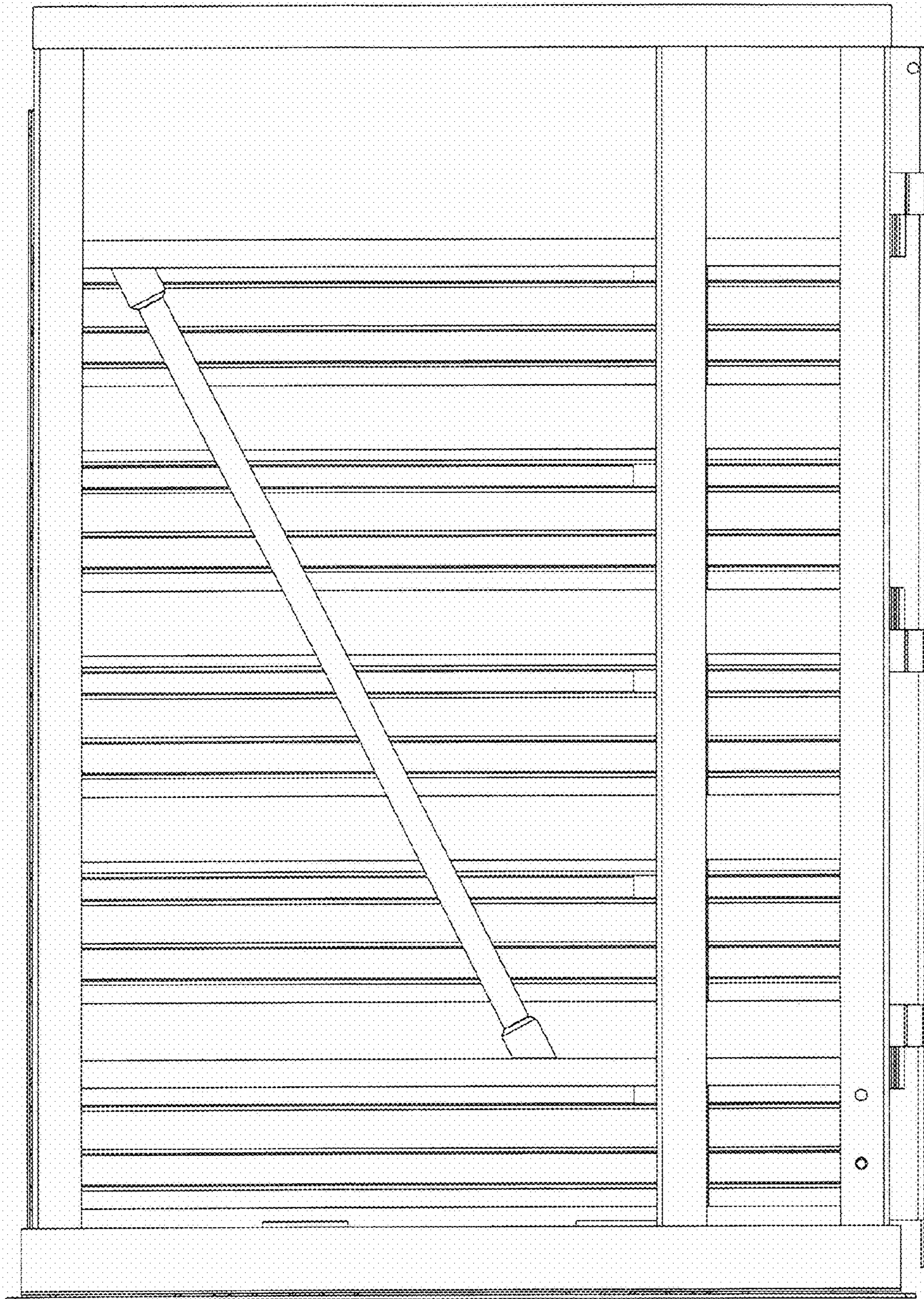


Fig. 8

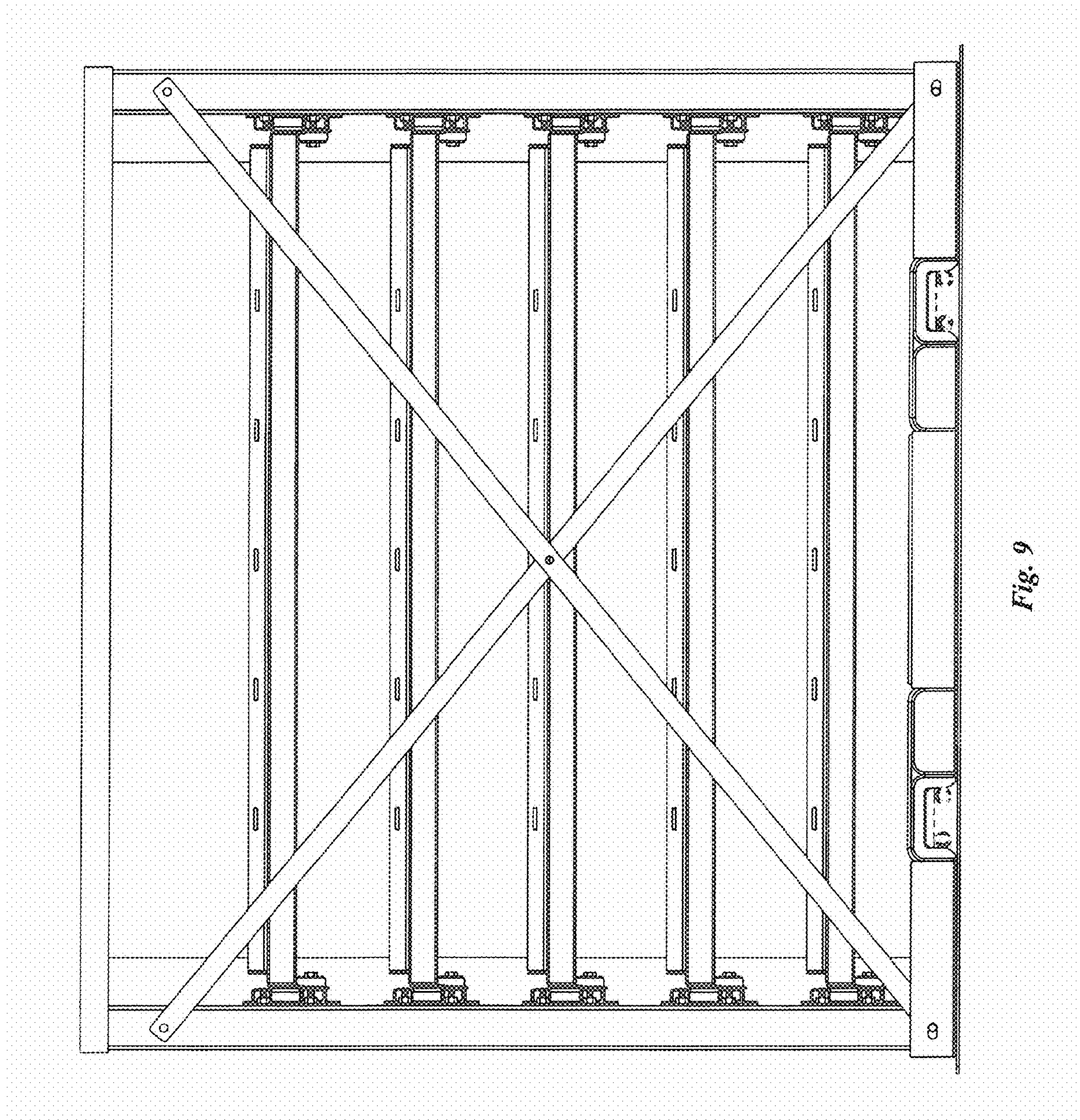


Fig. 9