



US00D647683S

(12) **United States Design Patent**  
**Woodhams et al.**

(10) **Patent No.:** **US D647,683 S**  
(45) **Date of Patent:** **\*\* Oct. 25, 2011**

(54) **STAIRLIFT CHAIR**

(75) Inventors: **Max Woodhams**, Andover (GB);  
**Alexander Henry Gage Wilson**,  
London (GB)

(73) Assignee: **Stannah Stairlifts Limited**, East  
Portway (GB)

(\*\*) Term: **14 Years**

(21) Appl. No.: **29/376,825**

(22) Filed: **Oct. 13, 2010**

(30) **Foreign Application Priority Data**

Apr. 14, 2010 (GB) ..... 4015276

(51) **LOC (9) Cl.** ..... **12-05**

(52) **U.S. Cl.** ..... **D34/35**

(58) **Field of Classification Search** ..... D34/28,  
D34/35; D12/128, 133; 180/907; 280/304.1;  
187/200, 901, 201, 202; 414/785, 539, 540,  
414/541, 678, 921; 5/81.1 R, 89.1, 87.1,  
5/600, 83.1, 86.1; D24/183

See application file for complete search history.

(56) **References Cited**

U.S. PATENT DOCUMENTS

5,230,405	A *	7/1993	Bartelt .....	187/201
D365,907	S *	1/1996	Mishler .....	D34/28
5,533,594	A *	7/1996	Tremblay et al. ....	187/201
6,176,335	B1 *	1/2001	Schaffner et al. ....	180/65.1
6,332,512	B1 *	12/2001	Muranaka .....	187/201
6,378,659	B1 *	4/2002	Krumbeck .....	187/200
6,712,192	B1 *	3/2004	Hester et al. ....	198/321
D489,859	S *	5/2004	Yamada .....	D34/28
7,225,899	B2 *	6/2007	Molnar et al. ....	187/201
D565,474	S *	4/2008	Webster et al. ....	D12/128
2005/0224293	A1 *	10/2005	Molnar et al. ....	187/200
2007/0272488	A1 *	11/2007	Woodhams et al. ....	187/201

\* cited by examiner

*Primary Examiner* — Cynthia Ramirez

(74) *Attorney, Agent, or Firm* — Gordon & Jacobson, PC

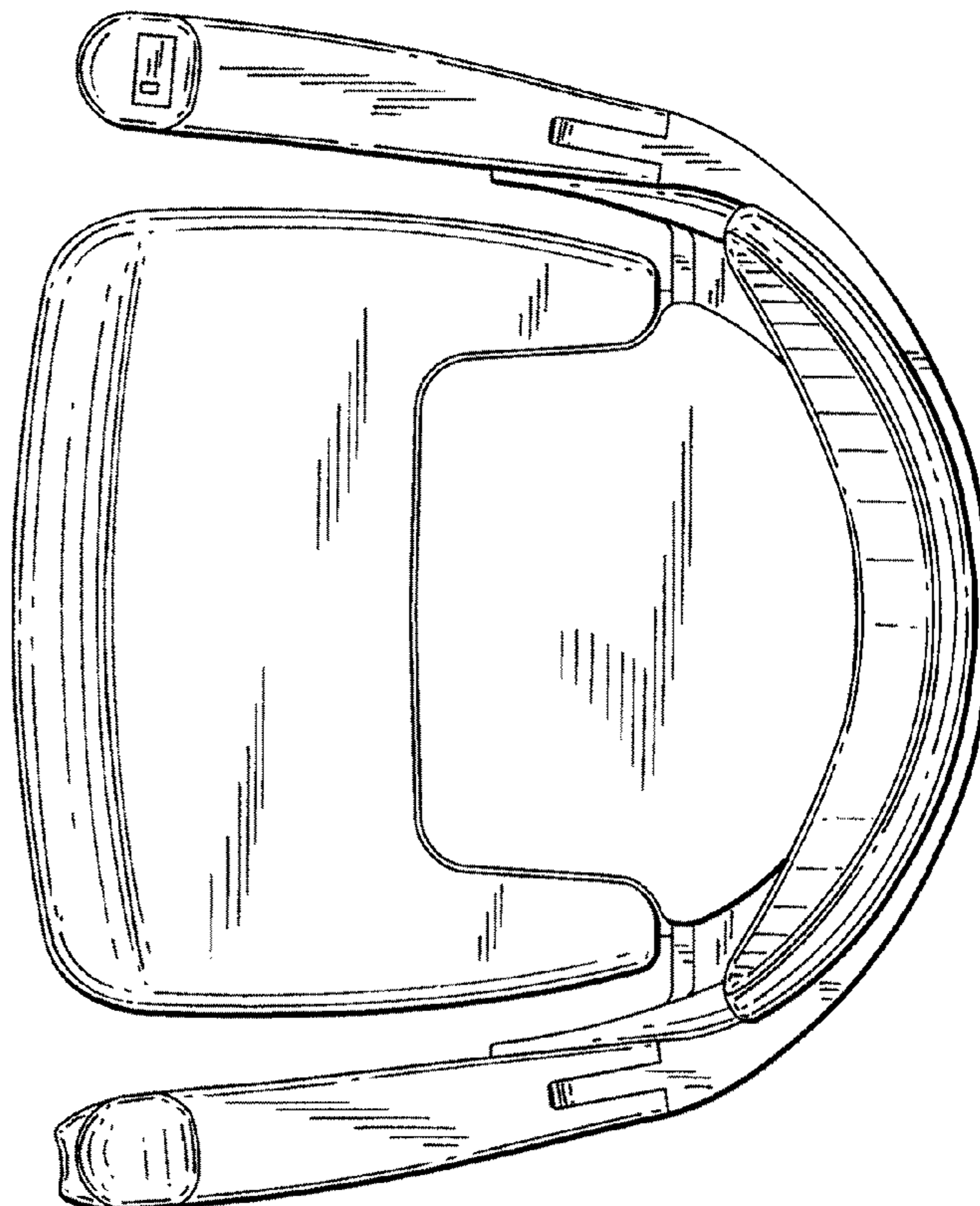
(57) **CLAIM**

The ornamental design for a stairlift chair, as shown and described.

**DESCRIPTION**

FIG. 1 is a top view of a stairlift chair.  
FIG. 2 is a front view of the stairlift chair of FIG. 1.  
FIG. 3 is a right side view of the stairlift chair of FIG. 1, with the left side view being a mirror image thereof; and,  
FIG. 4 is a rear view of the stairlift chair of FIG. 1.

**1 Claim, 2 Drawing Sheets**



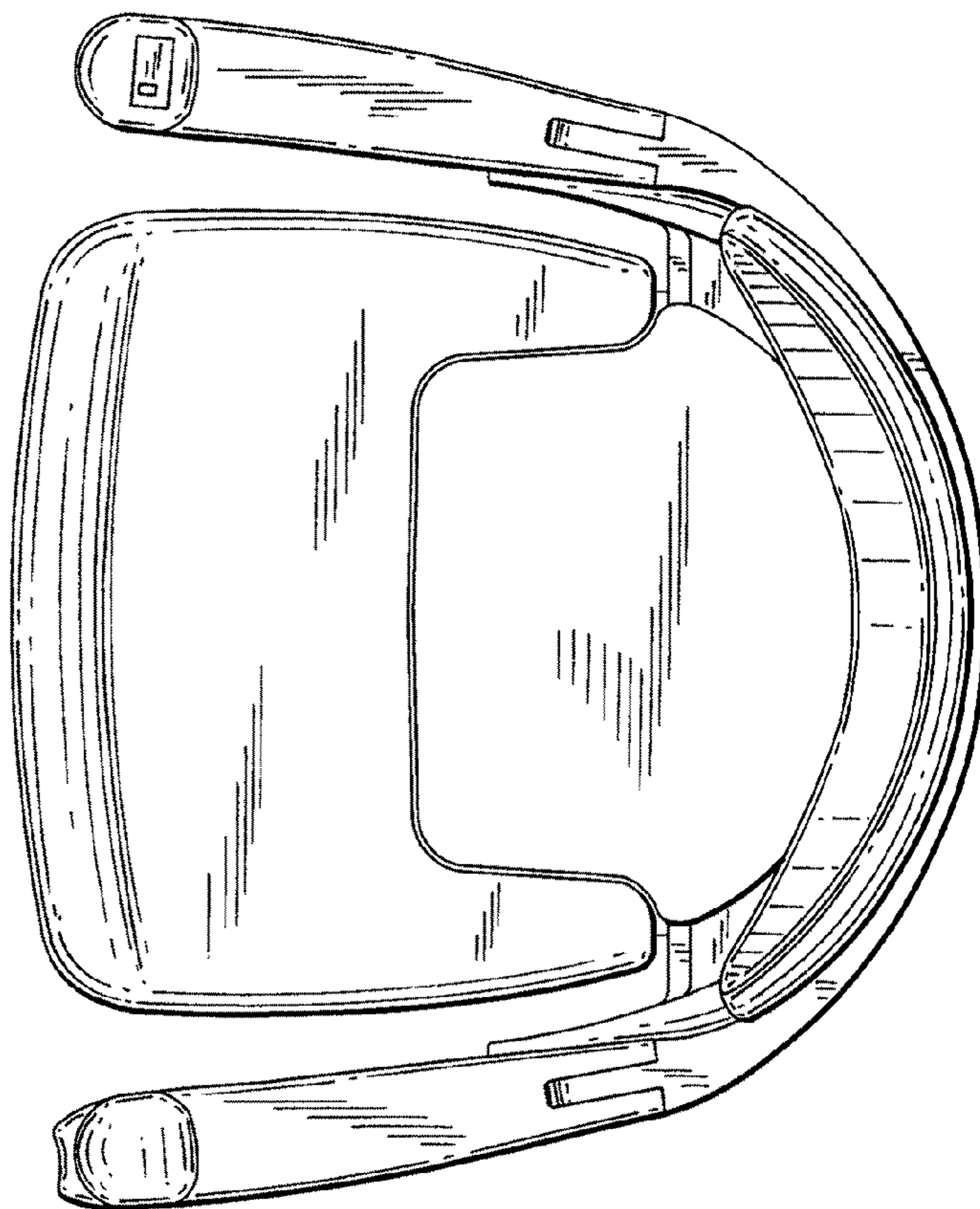


FIG. 1

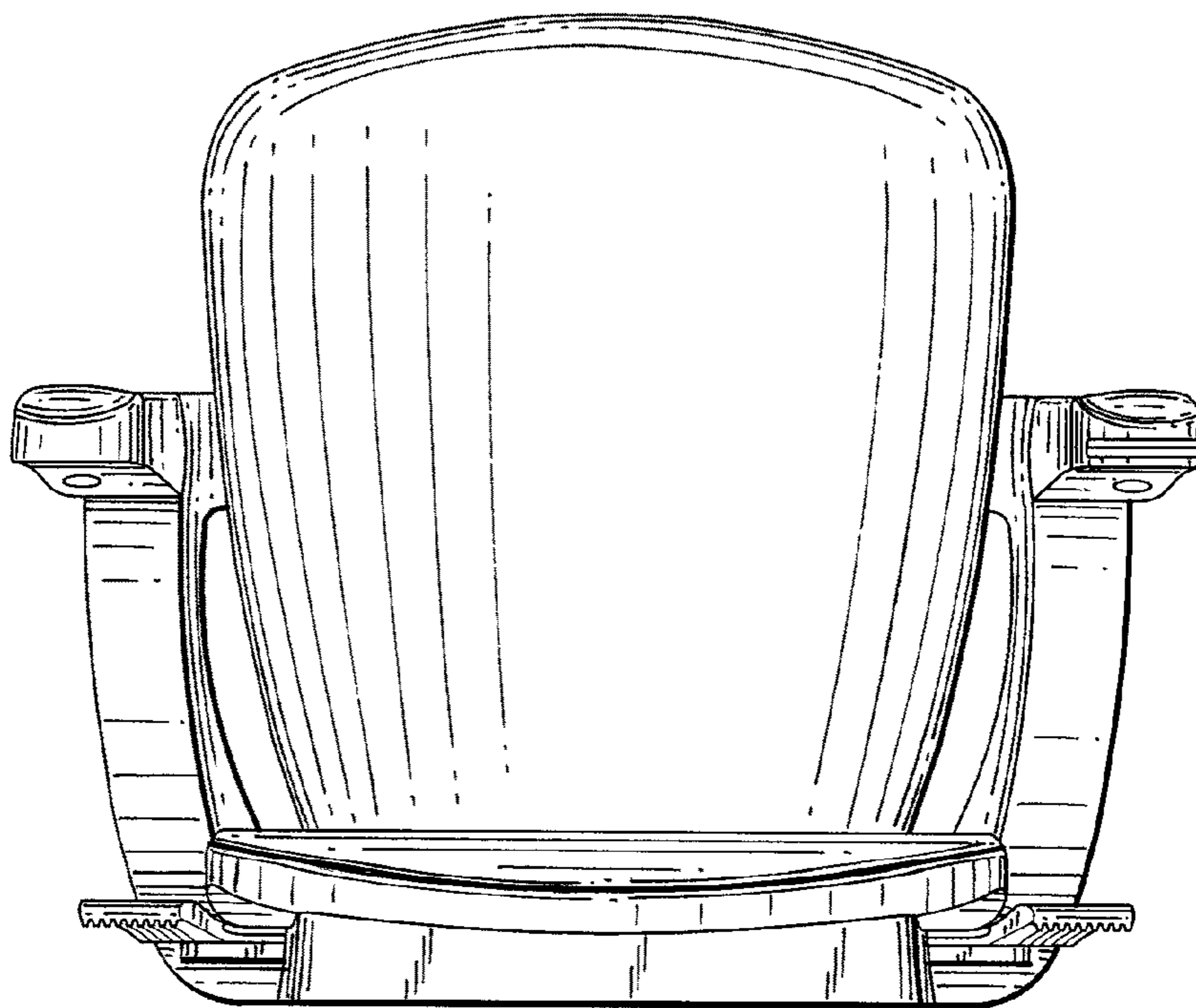


FIG. 2

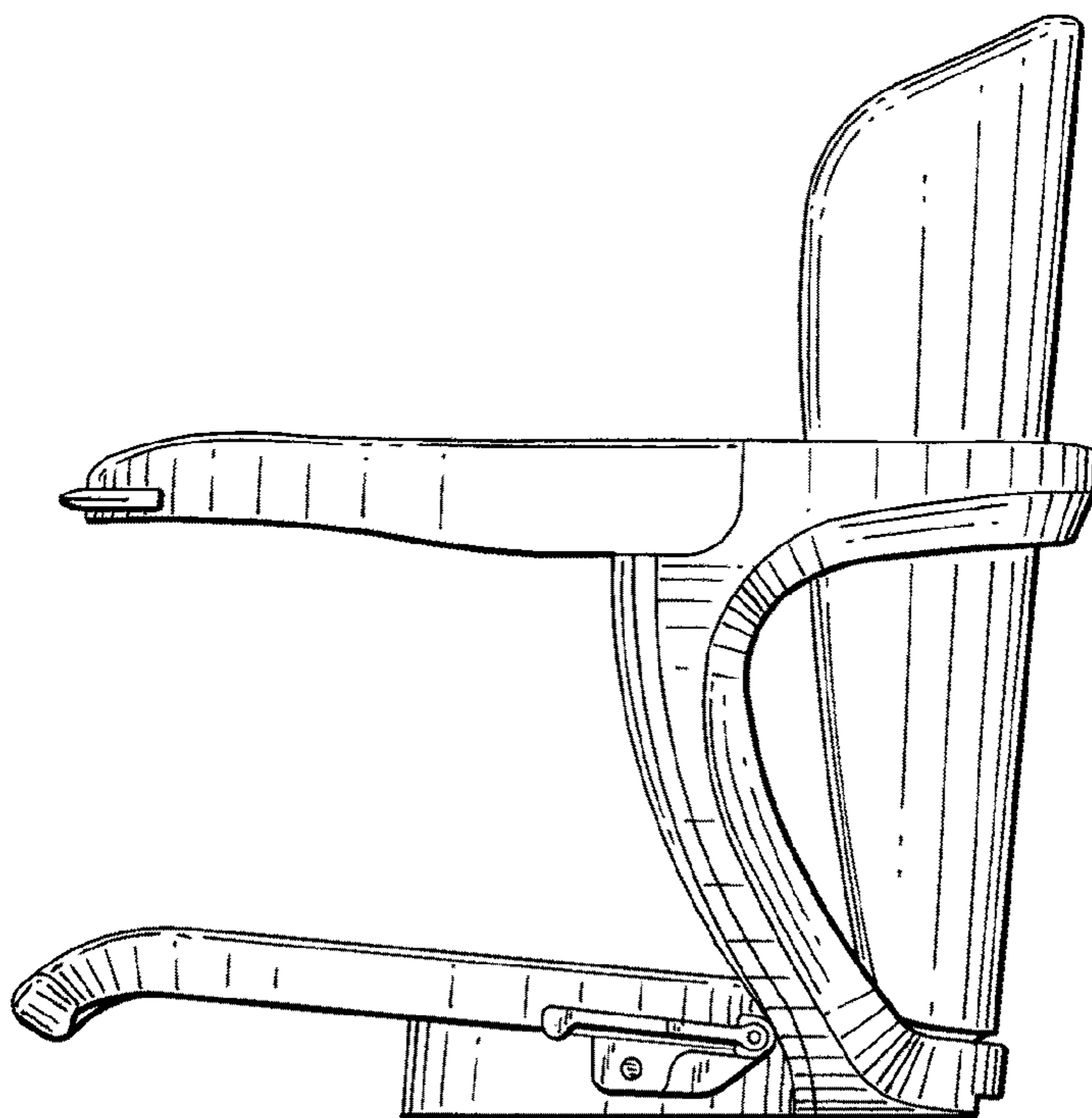


FIG. 3

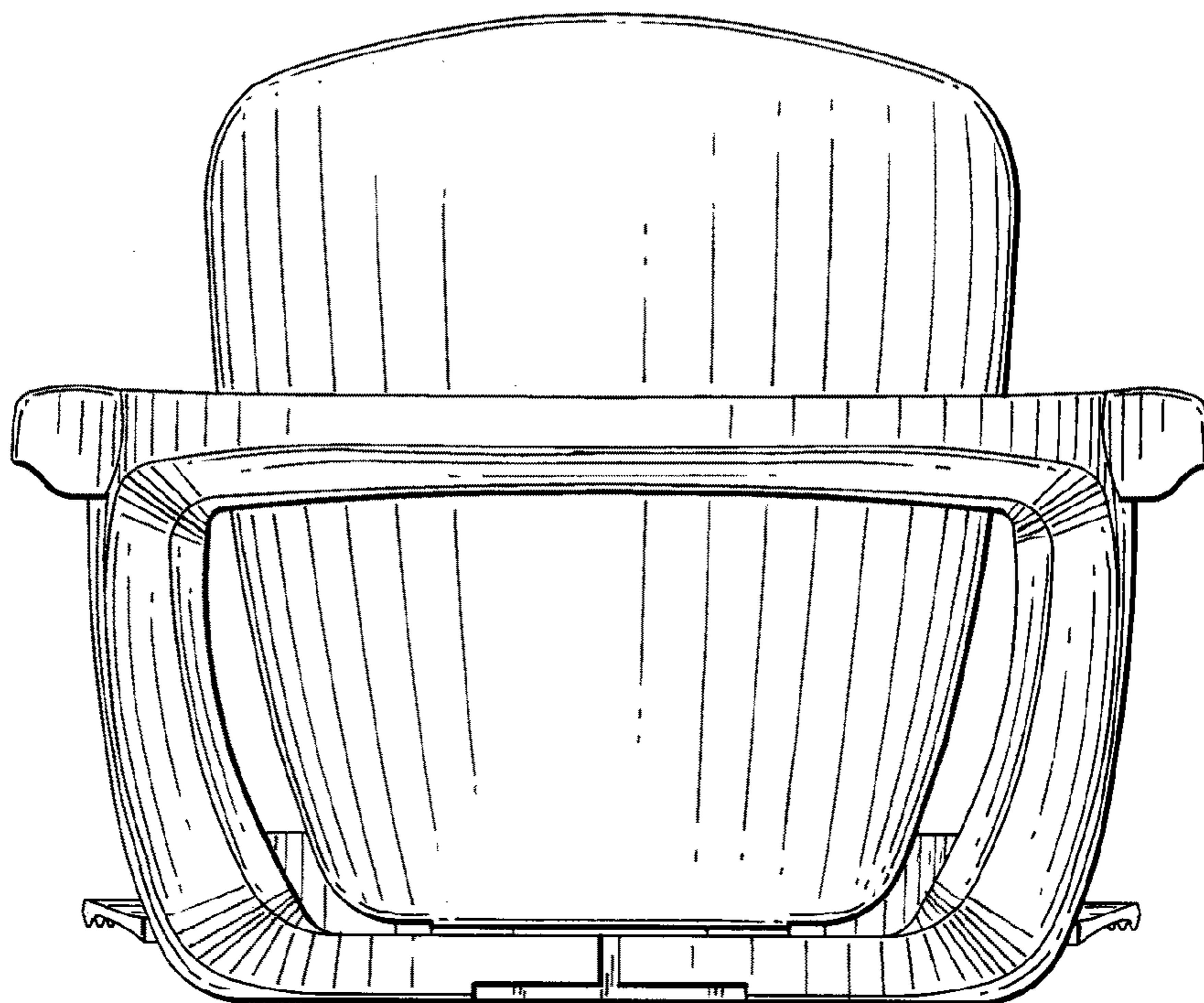


FIG. 4