



US00D647681S

(12) **United States Design Patent**
Naulapää et al.

(10) **Patent No.:** **US D647,681 S**

(45) **Date of Patent:** **** Oct. 25, 2011**

(54) **SET OF BALUSTRADE END PARTS OF A PASSENGER CONVEYOR**

(75) Inventors: **Heikki Naulapää**, Hyvinkää (FI); **Mika Moilanen**, Hyvinkää (FI); **Sami Lehtovaara**, Hyvinkää (FI); **Touko Palviainen**, Hyvinkää (FI); **Timo Tiainen**, Hyvinkää (FI); **Sami Kauppinen**, Hyvinkää (FI)

(73) Assignee: **Kone Corporation**, Helsinki (FI)

(**) Term: **14 Years**

(21) Appl. No.: **29/311,673**

(22) Filed: **May 21, 2009**

(30) **Foreign Application Priority Data**

| | | |
|---------------|------|----------------|
| Nov. 21, 1920 | (EM) | 001043319-0001 |
| Nov. 21, 1920 | (EM) | 001043319-0002 |
| Nov. 21, 1920 | (EM) | 001043319-0003 |
| Nov. 21, 1920 | (EM) | 001043319-0004 |
| Nov. 21, 1920 | (EM) | 001043319-0005 |
| Nov. 21, 1920 | (EM) | 001043319-0006 |
| Nov. 21, 1920 | (EM) | 001043319-0007 |

(51) **LOC (9) Cl.** **12-05**

(52) **U.S. Cl.** **D34/30**

(58) **Field of Classification Search** D34/28,
D34/30; 198/338, 335, 324, 323, 321, 336
See application file for complete search history.

(56) **References Cited**

U.S. PATENT DOCUMENTS

| | | | | |
|-----------|-----|---------|-----------------|---------|
| 3,970,187 | A * | 7/1976 | Esaki et al. | 198/338 |
| D298,375 | S * | 11/1988 | Herrmann et al. | D34/30 |
| D348,757 | S * | 7/1994 | Rivera et al. | D34/30 |

| | | | | |
|--------------|------|---------|------------------|---------|
| 5,366,060 | A * | 11/1994 | Johnson et al. | 198/323 |
| D475,831 | S * | 6/2003 | Sansevero et al. | D34/30 |
| D535,804 | S * | 1/2007 | Yoshida et al. | D34/30 |
| 7,249,667 | B2 * | 7/2007 | Sansevero et al. | 198/324 |
| D563,622 | S * | 3/2008 | Im | D34/30 |
| 2006/0219520 | A1 * | 10/2006 | Sansevero et al. | 198/324 |
| 2008/0116035 | A1 * | 5/2008 | Ogimura | 198/323 |

* cited by examiner

Primary Examiner — Cynthia Ramirez

(74) *Attorney, Agent, or Firm* — Venable LLP; Robert Kinberg; Ryan M. Flandro

(57) **CLAIM**

The ornamental design for a set of balustrade end parts of a passenger conveyor, as shown and described.

DESCRIPTION

FIG. 1 is a perspective view of a right hand of the set of balustrade end parts of a passenger conveyor as shown in FIG. 8, according to an embodiment of the present invention;

FIG. 2 is a front view thereof;

FIG. 3 is a left side view thereof;

FIG. 4 is a right side view thereof;

FIG. 5 is a top view thereof;

FIG. 6 is a bottom view thereof;

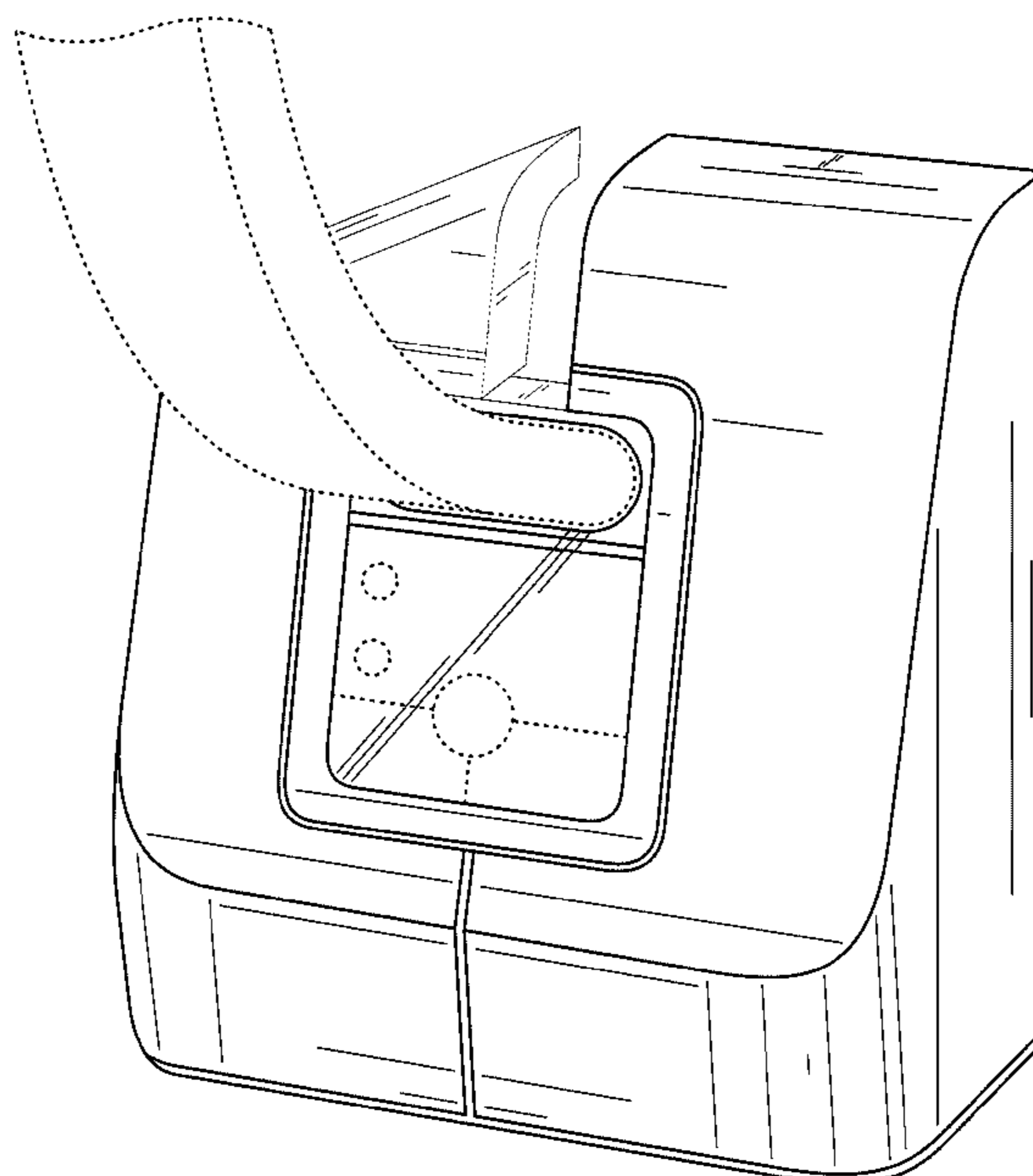
FIG. 7 is a front view of a left hand of the set of balustrade end parts of a passenger conveyor as shown in FIG. 8, according to an embodiment of the present invention, the left hand end part being a mirror image to the right hand end part; and,

FIG. 8 is a perspective view of the set of balustrade end parts of a passenger conveyor according to the present invention.

The right hand and left hand end parts are shown separately in FIGS. 1 through 7 for convenience of illustration.

The broken lines in the foregoing Figures are for the purpose of illustrating environmental structure and form no part of the claimed design.

1 Claim, 8 Drawing Sheets



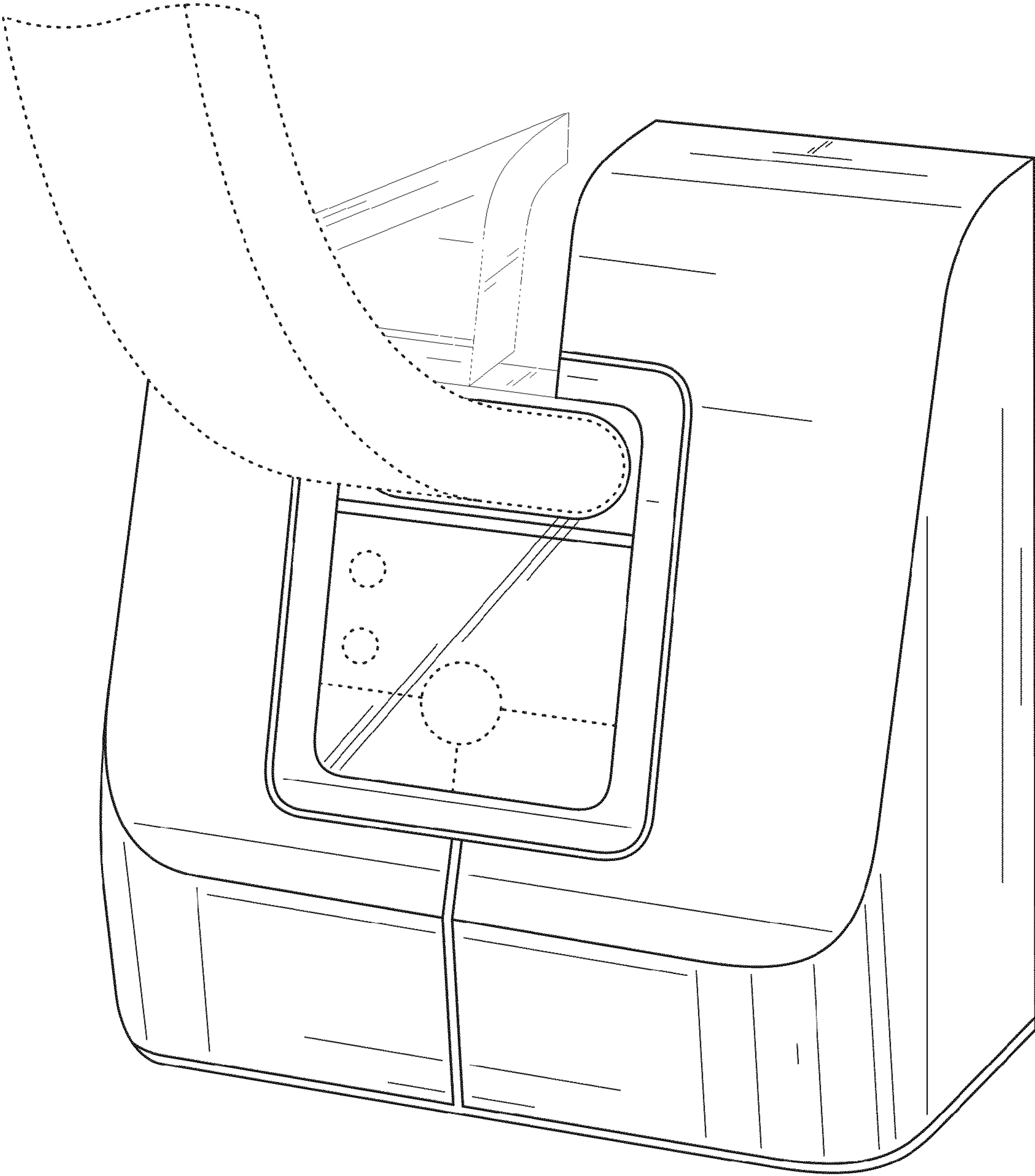


FIG. 1

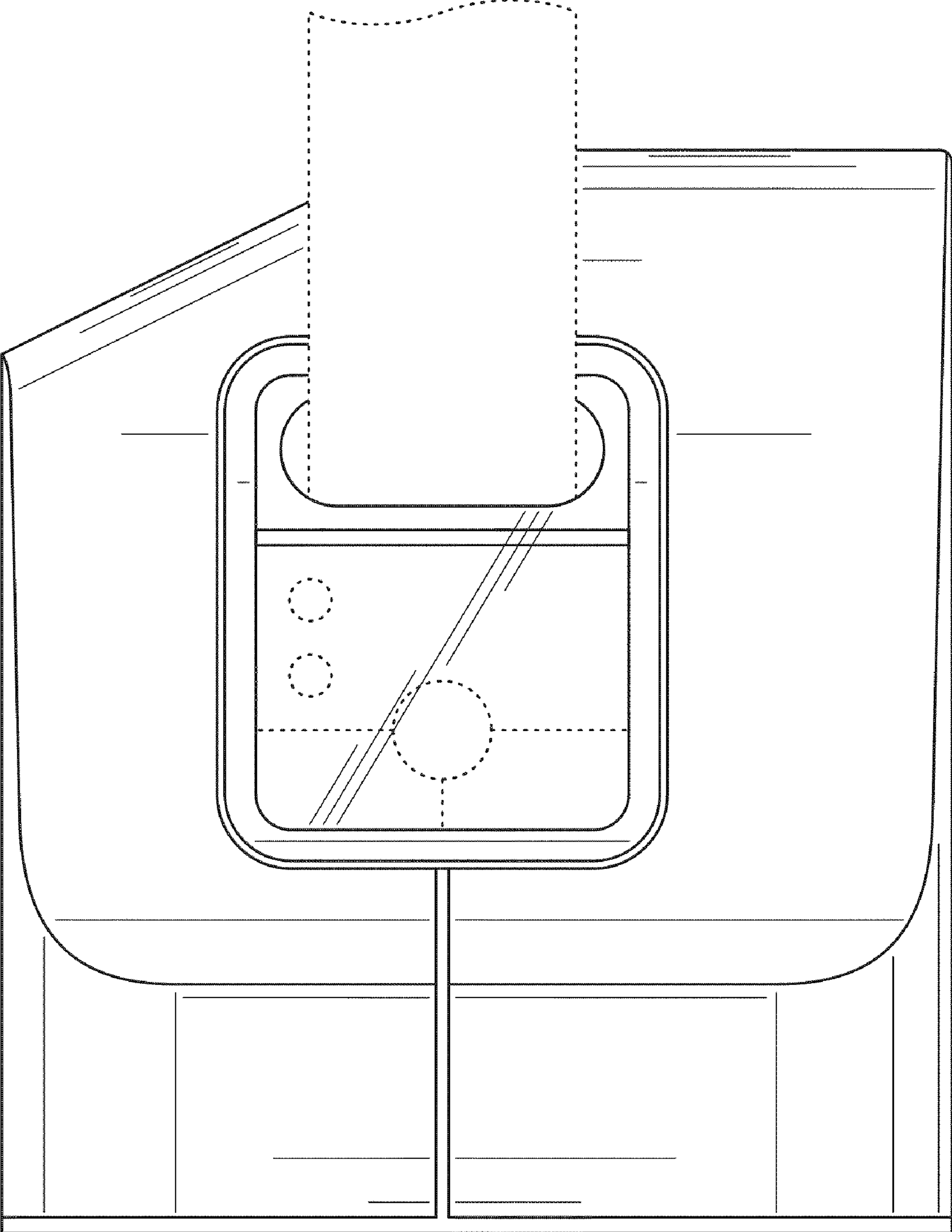


FIG. 2

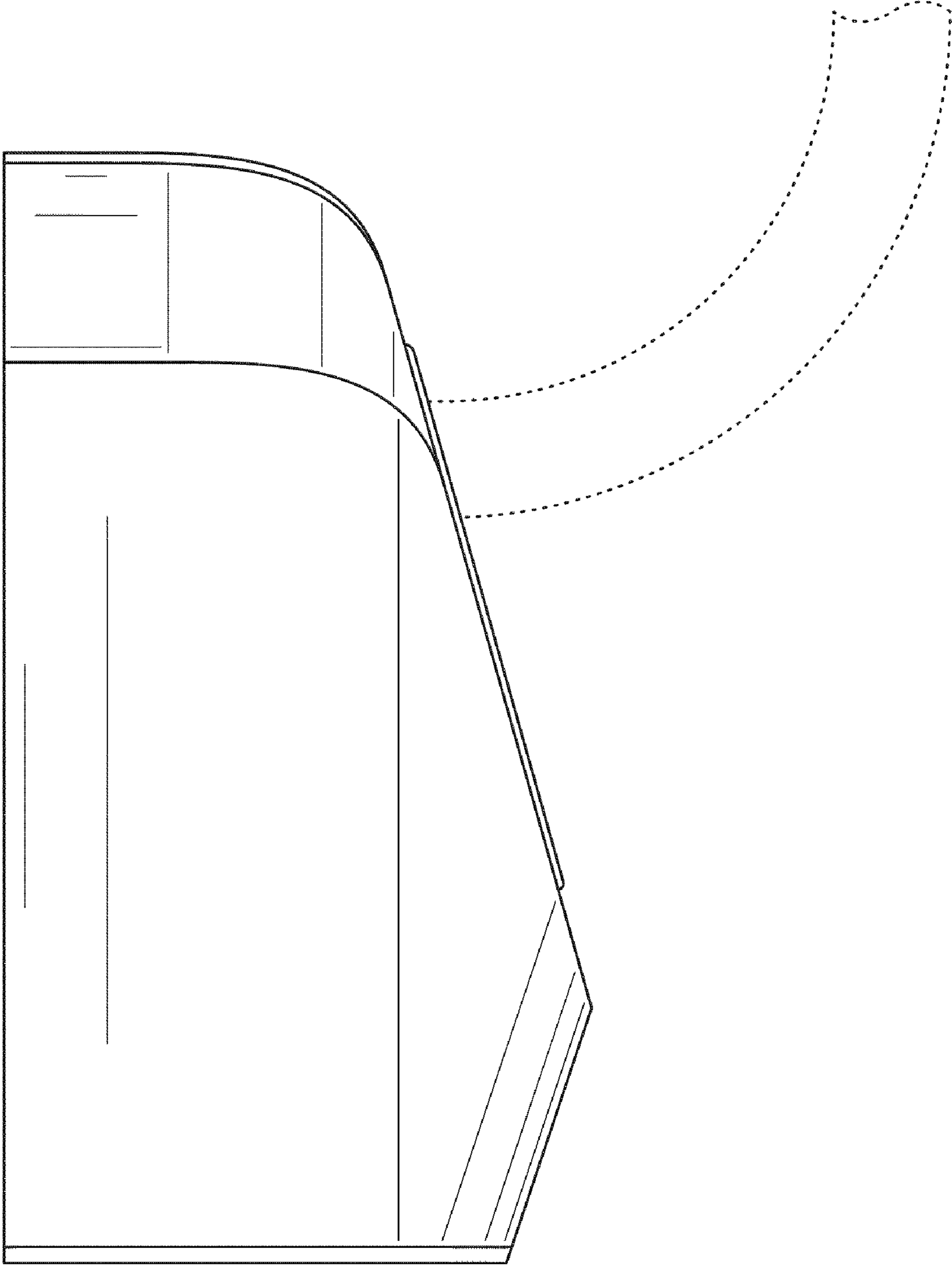


FIG. 3

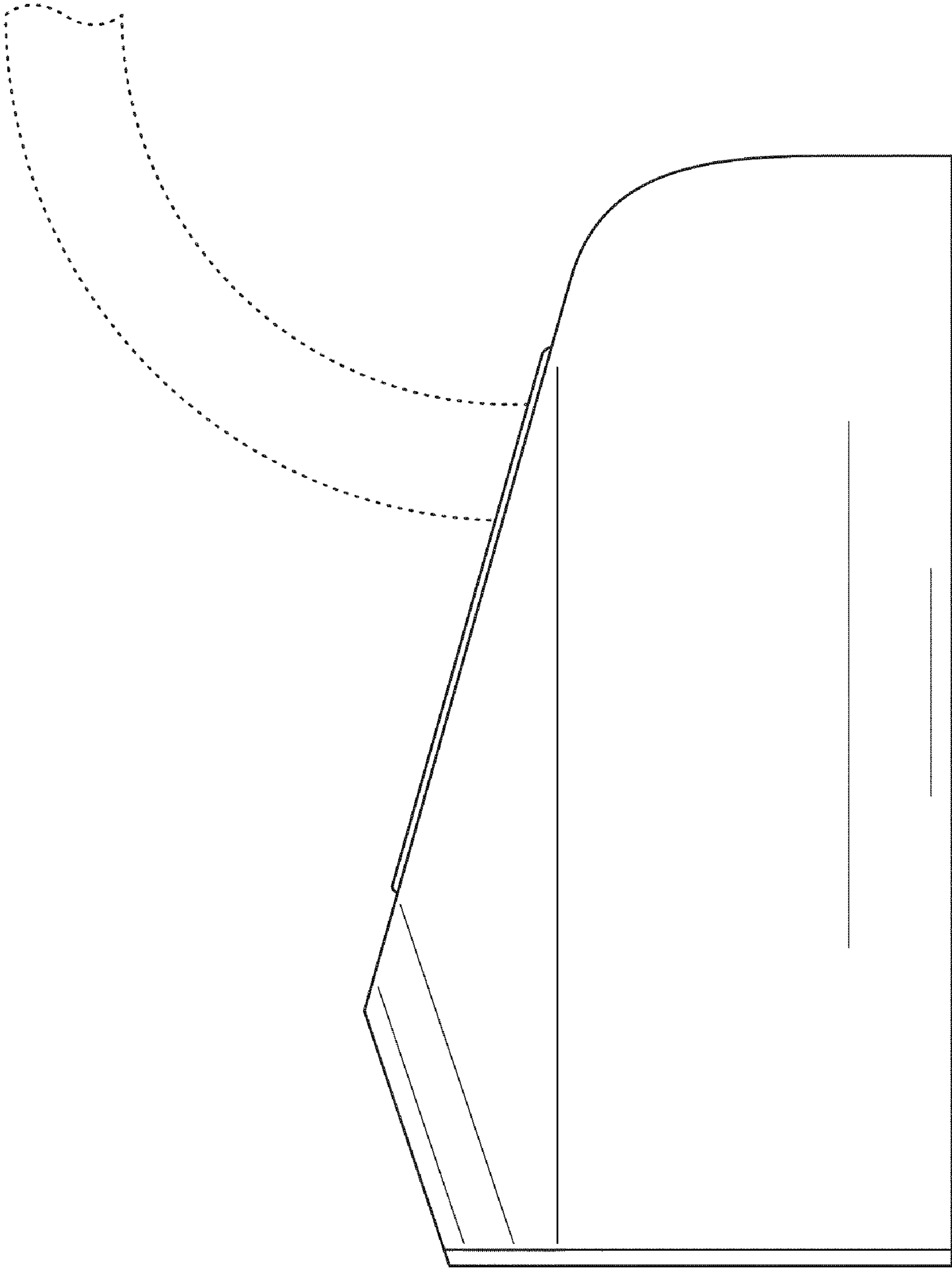


FIG. 4

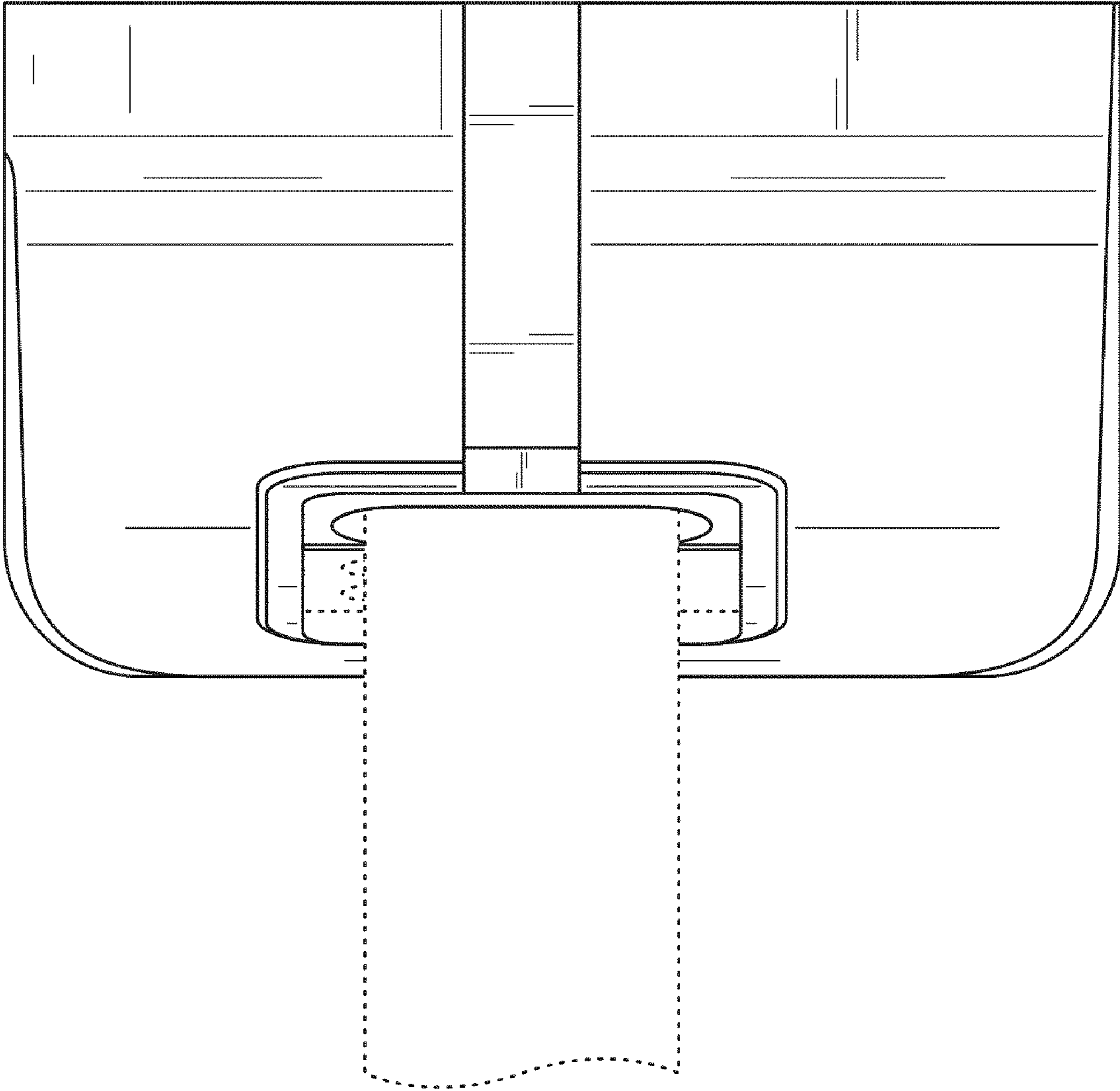


FIG. 5

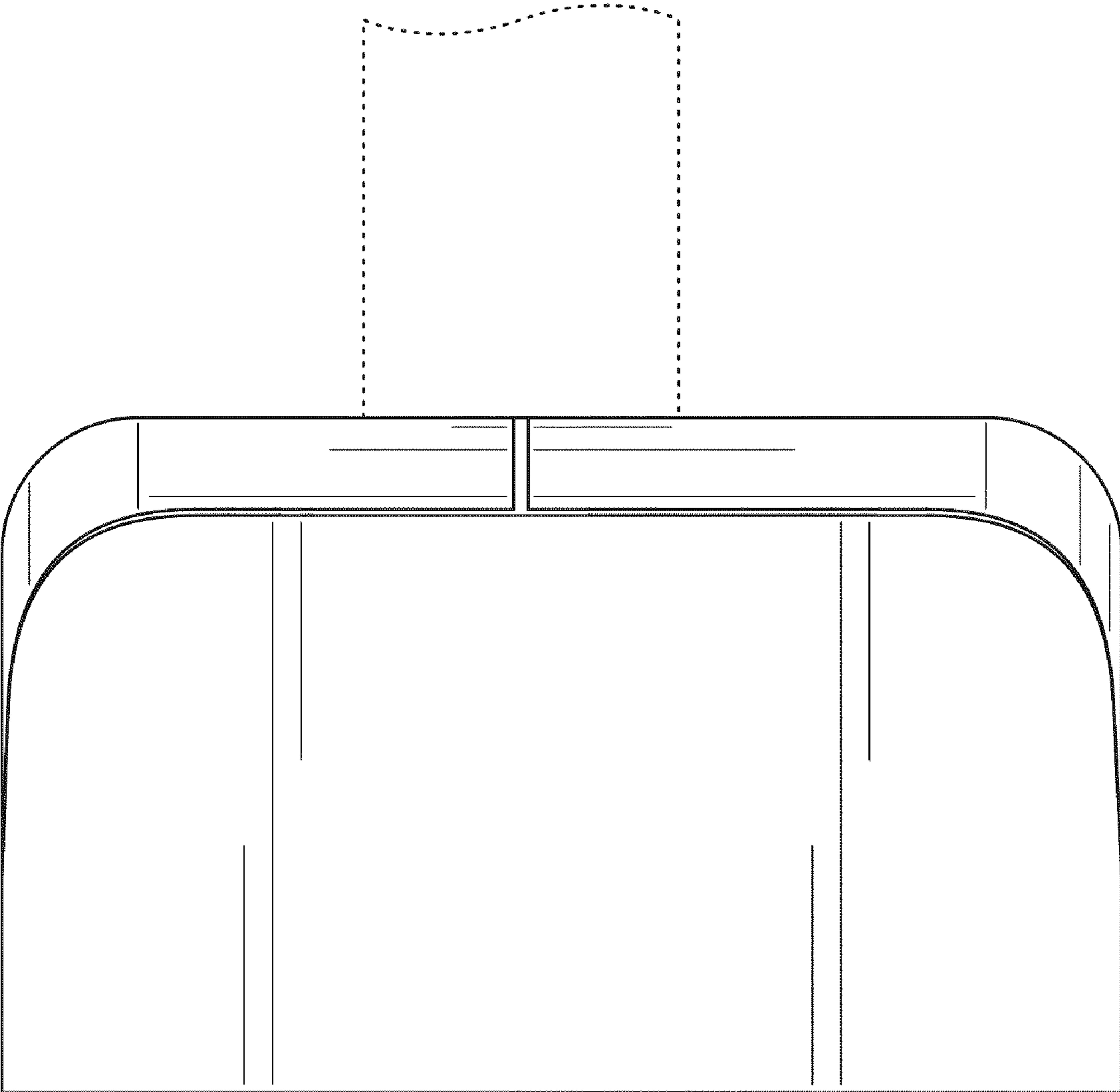


FIG. 6

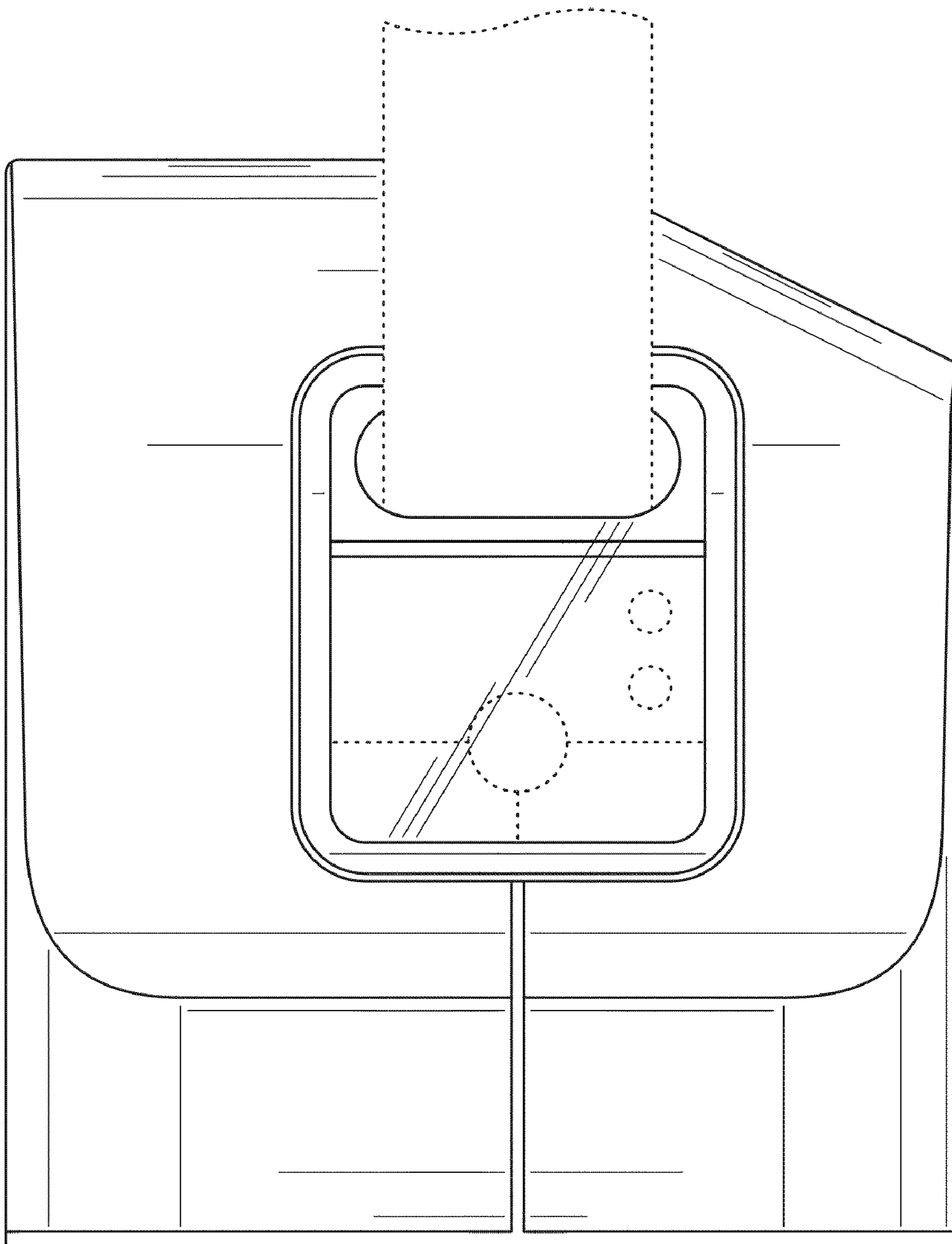


FIG. 7

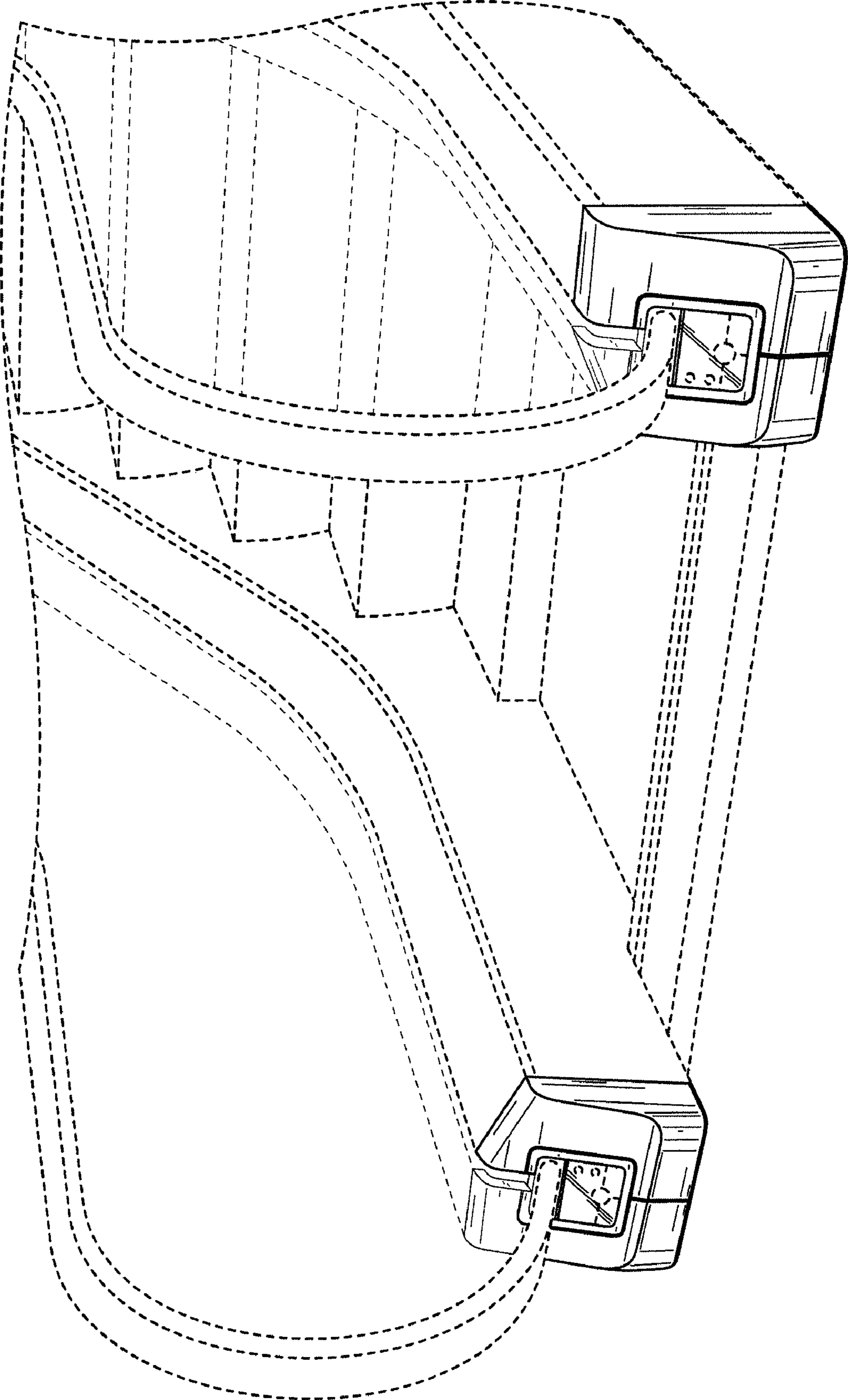


FIG. 8

UNITED STATES PATENT AND TRADEMARK OFFICE
CERTIFICATE OF CORRECTION

PATENT NO. : D647,681 S
APPLICATION NO. : 29/311673
DATED : October 25, 2011
INVENTOR(S) : Heikki Naulapää et al.

Page 1 of 1

It is certified that error appears in the above-identified patent and that said Letters Patent is hereby corrected as shown below:

ON THE TITLE PAGE:

ITEM (30) FOREIGN APPLICATION PRIORITY DATA correct as follows:

Nov. 21, ~~1920~~ --2008-- (EM) 001043319-0001

Nov. 21, ~~1920~~ --2008-- (EM) 001043319-0002

Nov. 21, ~~1920~~ --2008-- (EM) 001043319-0003

Nov. 21, ~~1920~~ --2008-- (EM) 001043319-0004

Nov. 21, ~~1920~~ --2008-- (EM) 001043319-0005

Nov. 21, ~~1920~~ --2008-- (EM) 001043319-0006

Nov. 21, ~~1920~~ --2008-- (EM) 001043319-0007

Signed and Sealed this
Thirteenth Day of December, 2011



David J. Kappos
Director of the United States Patent and Trademark Office