



US00D647680S

(12) **United States Design Patent**
Fukuma et al.

(10) **Patent No.:** **US D647,680 S**

(45) **Date of Patent:** **** Oct. 25, 2011**

(54) **LIFTING LINK MECHANISM**

(75) Inventors: **Kunio Fukuma**, Osaka (JP); **Daisuke Sado**, Osaka (JP); **Hideki Matsuo**, Osaka (JP)

(73) Assignee: **Daihen Corporation**, Osaka (JP)

(**) Term: **14 Years**

(21) Appl. No.: **29/365,850**

(22) Filed: **Jul. 15, 2010**

(30) **Foreign Application Priority Data**

Jan. 28, 2010 (JP) 2010-001913
Jan. 28, 2010 (JP) 2010-001914
Jan. 28, 2010 (JP) 2010-001915

(51) **LOC (9) Cl.** **12-05**

(52) **U.S. Cl.** **D34/28**

(58) **Field of Classification Search** D34/28,
D34/33, 31; 254/93 H, 93 R, 8 B, 93 L, 93 VA
See application file for complete search history.

(56) **References Cited**

U.S. PATENT DOCUMENTS

3,993,207 A * 11/1976 Jones 414/495
4,724,930 A * 2/1988 VanLierop 187/204
4,741,512 A * 5/1988 Elkuch et al. 254/9 C
D302,141 S * 7/1989 Crozier D12/15
D302,893 S * 8/1989 Wakefield D34/31
4,867,277 A * 9/1989 Sloan 187/243
4,899,987 A * 2/1990 Craig 254/122
D307,346 S * 4/1990 Kawana D34/31

D308,743 S * 6/1990 Kawana D34/31
D346,680 S * 5/1994 Lee D34/31
D375,602 S * 11/1996 Henthorn et al. D34/28
D416,369 S * 11/1999 Johansson D34/28
D452,056 S * 12/2001 Rosania D34/28
D495,107 S * 8/2004 Thurm D34/28
D585,335 S * 1/2009 Henke et al. D12/115
2010/0012907 A1 * 1/2010 Lee 254/131
2010/0012909 A1 * 1/2010 Lee 254/93 R
2010/0270523 A1 * 10/2010 Schmitt et al. 254/93 R

* cited by examiner

Primary Examiner — Cynthia Ramirez

(74) *Attorney, Agent, or Firm* — Hamre, Schumann, Mueller & Larson, P.C.

(57) **CLAIM**

The ornamental design for a lifting link mechanism, as shown and described.

DESCRIPTION

FIG. 1 is a perspective view of a lifting link mechanism showing our new design;
FIG. 2 is a front view of the lifting link mechanism;
FIG. 3 is a rear view of the lifting link mechanism;
FIG. 4 is a top plan view of the lifting link mechanism;
FIG. 5 is a bottom view of the lifting link mechanism;
FIG. 6 is a right side view of the lifting link mechanism;
FIG. 7 is a left side view of the lifting link mechanism; and,
FIG. 8 is a perspective view of the lifting link mechanism which is driven for lifting.

The broken lines in FIGS. 1 through 8 showing the portions of the article transferring robot other than the lifting mechanism represented in solid lines are for illustrative purposes only and form no part of the claimed link mechanism.

1 Claim, 8 Drawing Sheets

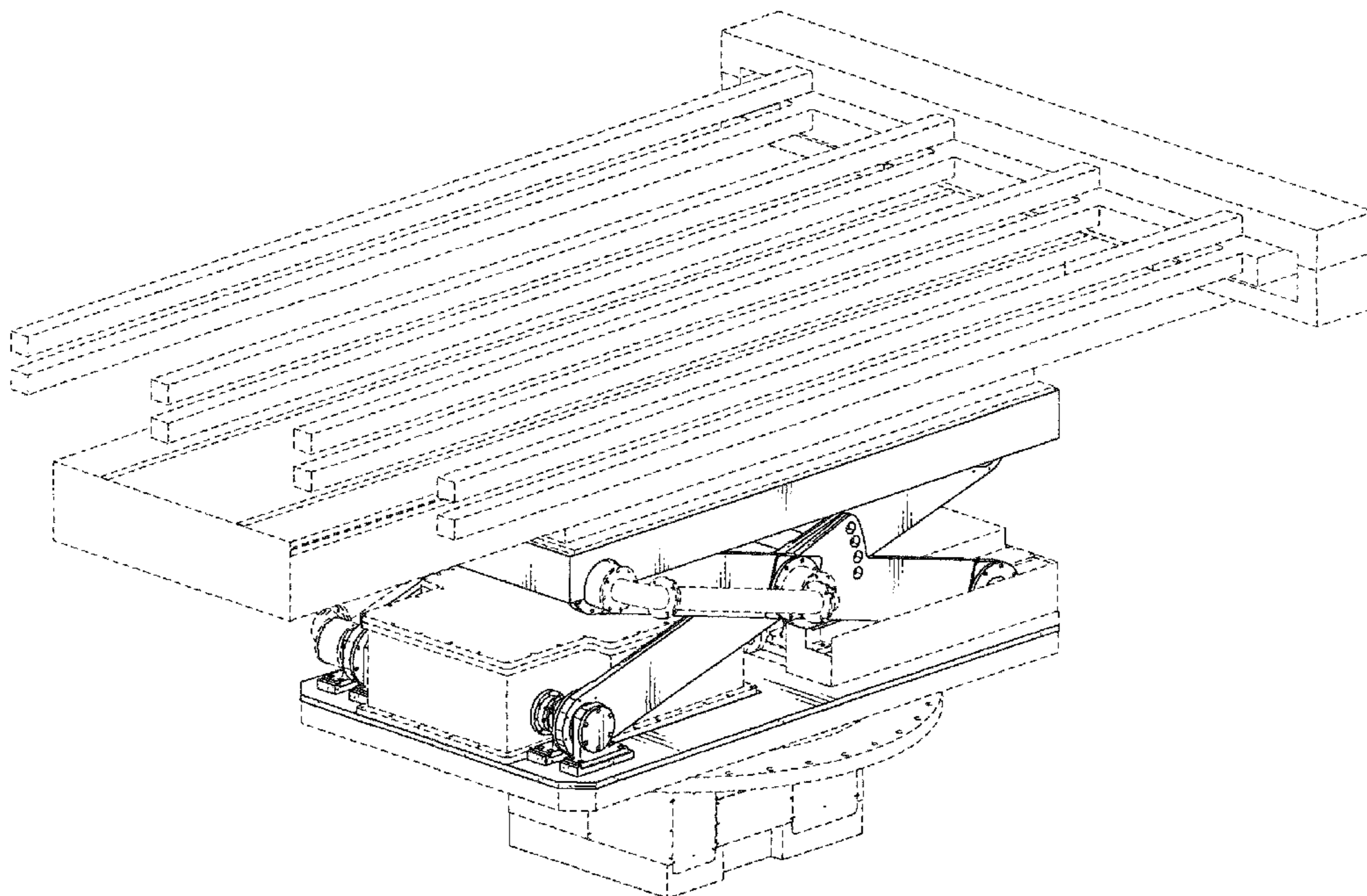


FIG.1

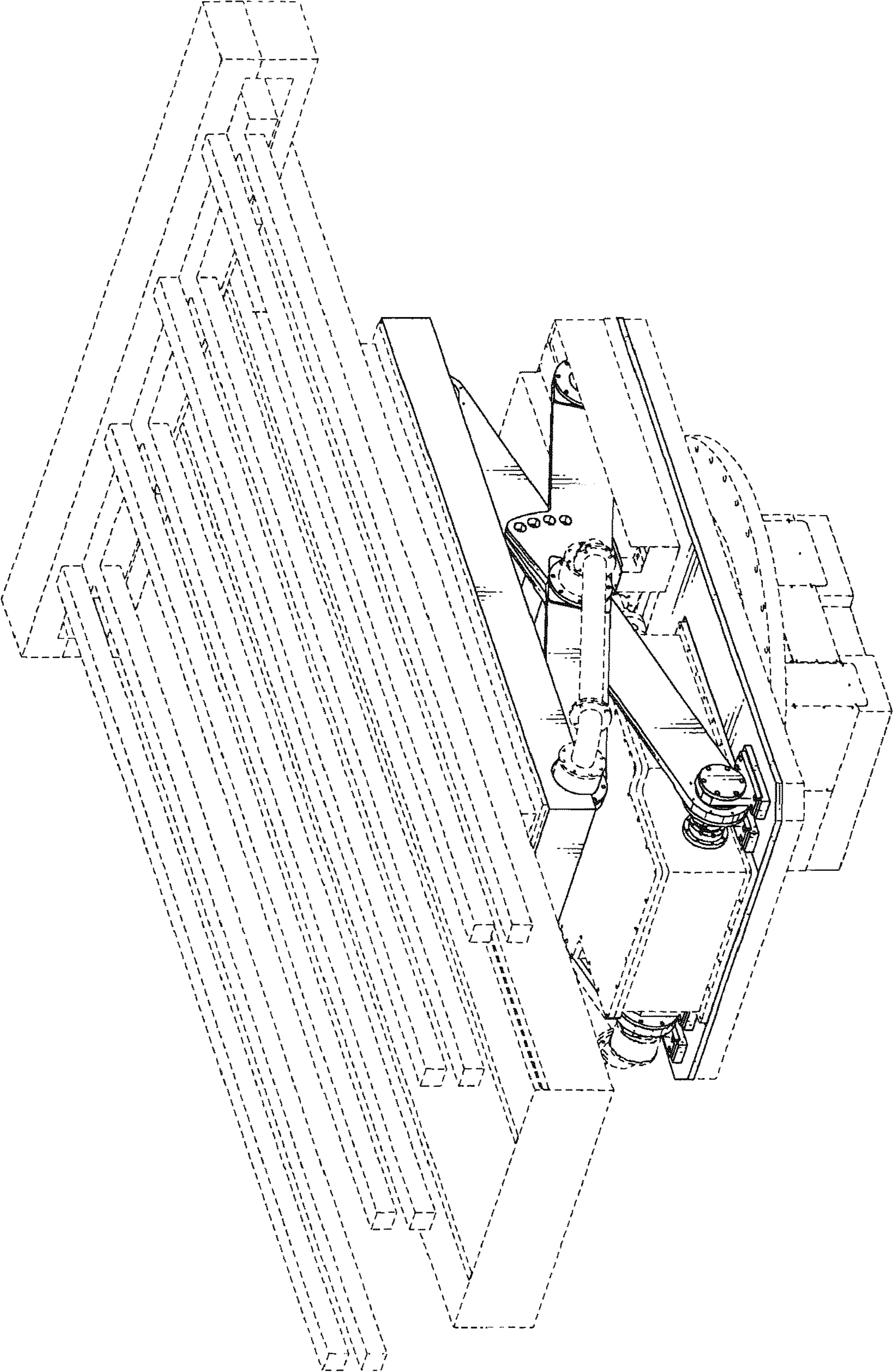


FIG.2

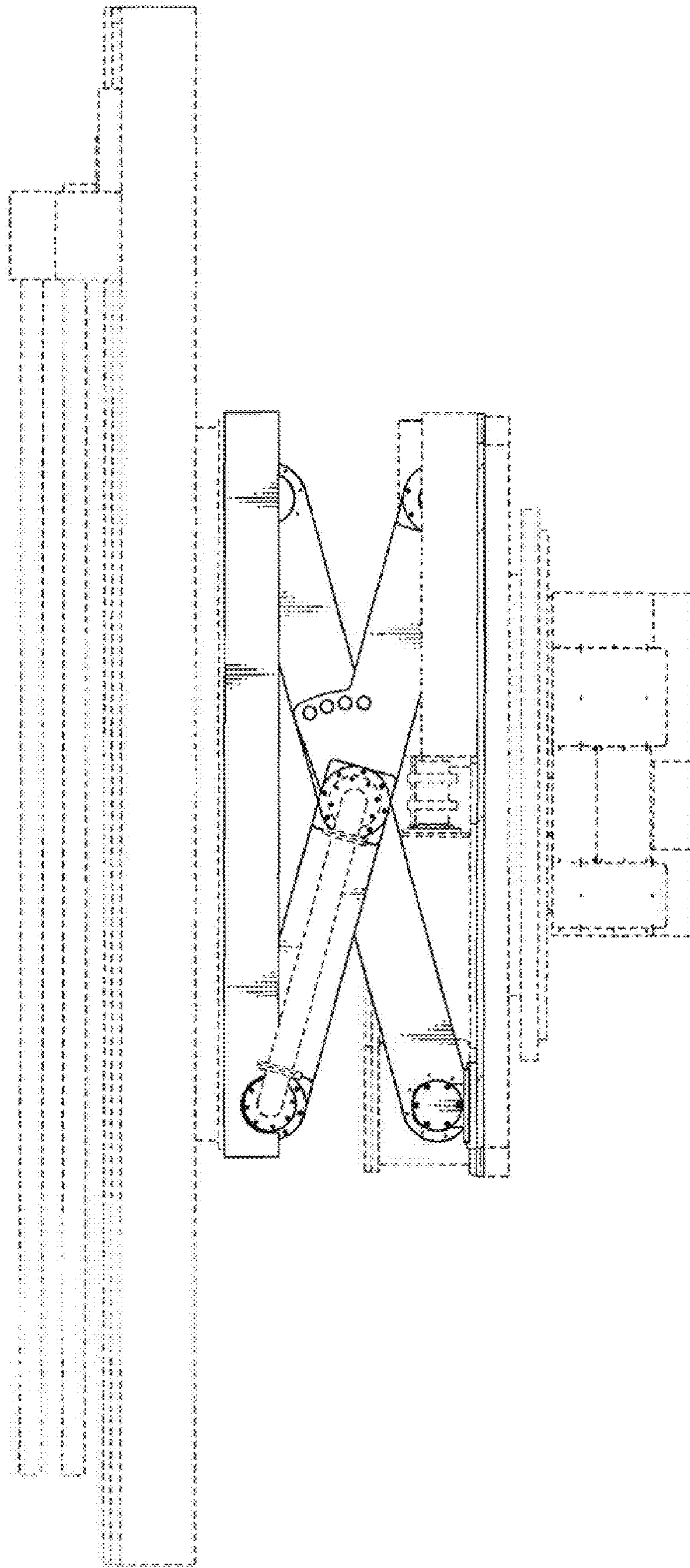


FIG.3

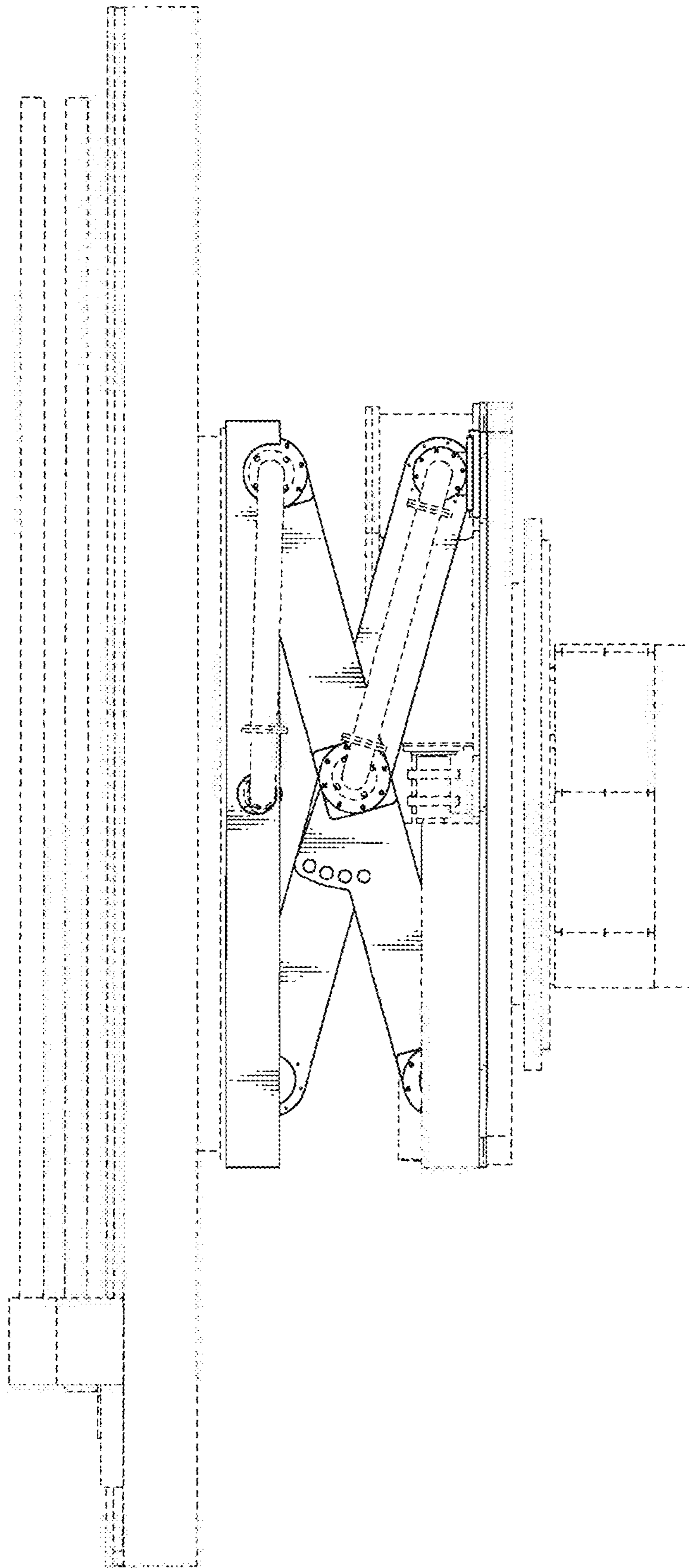


FIG.4

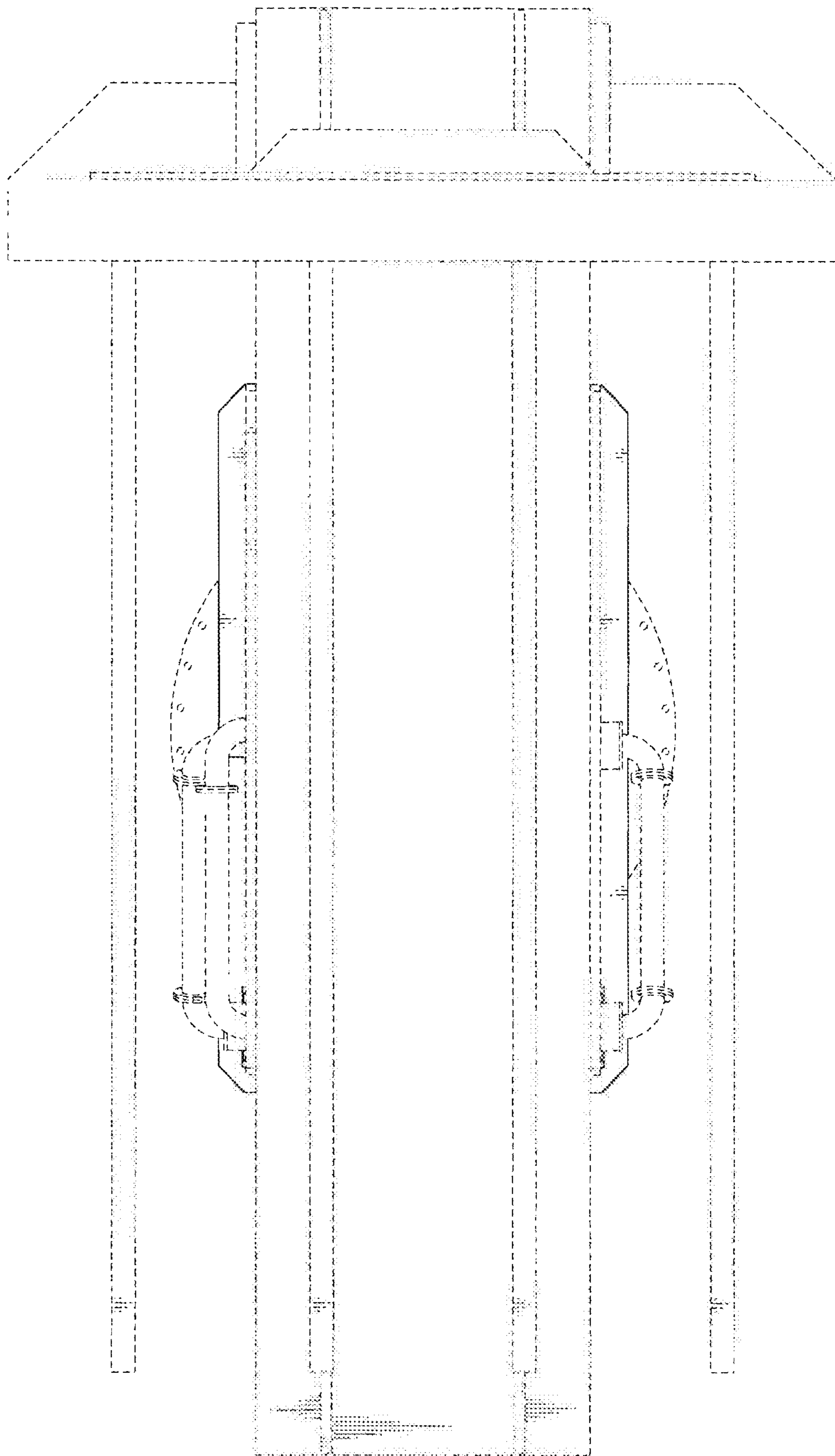


FIG.5

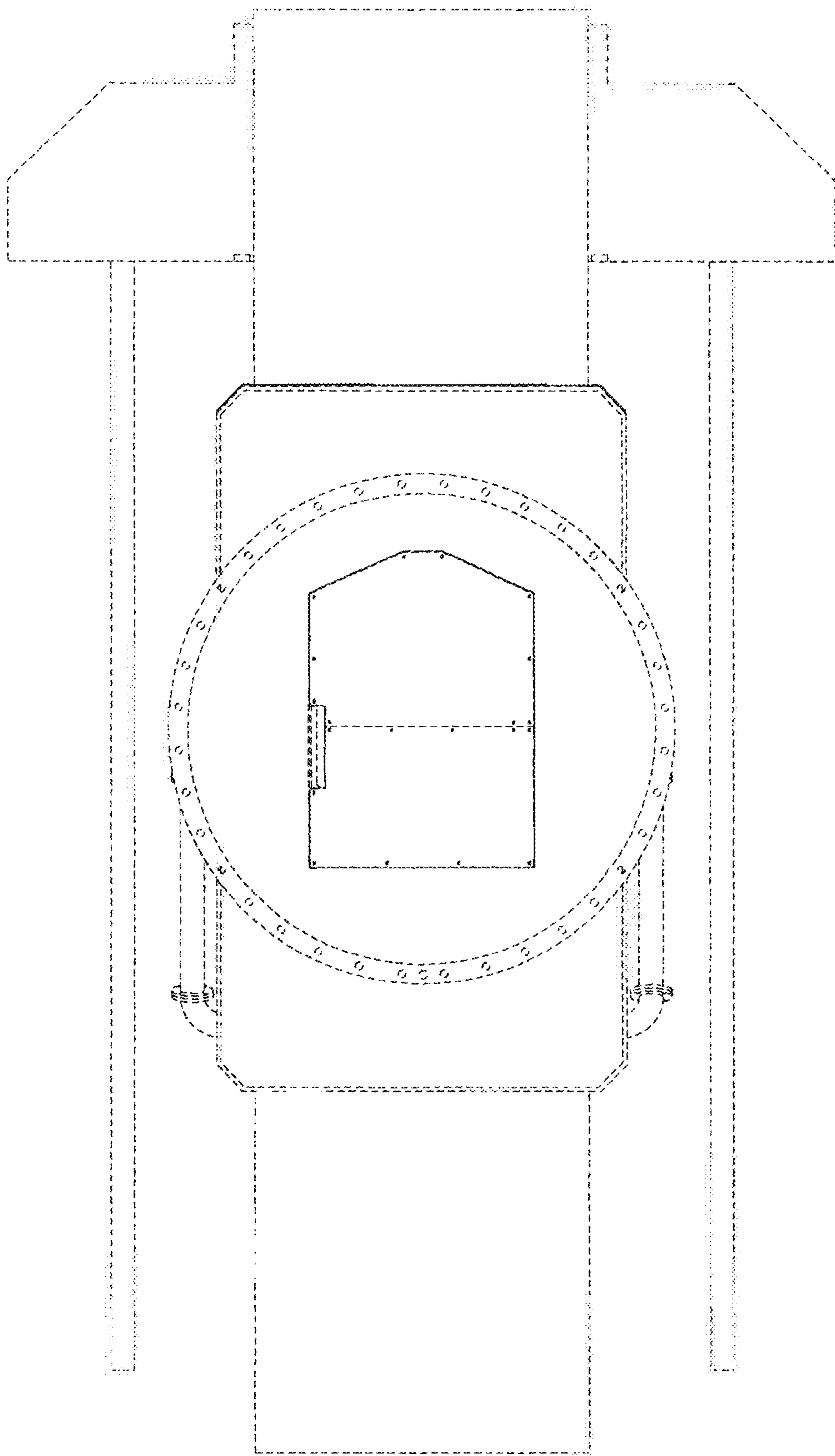


FIG.6

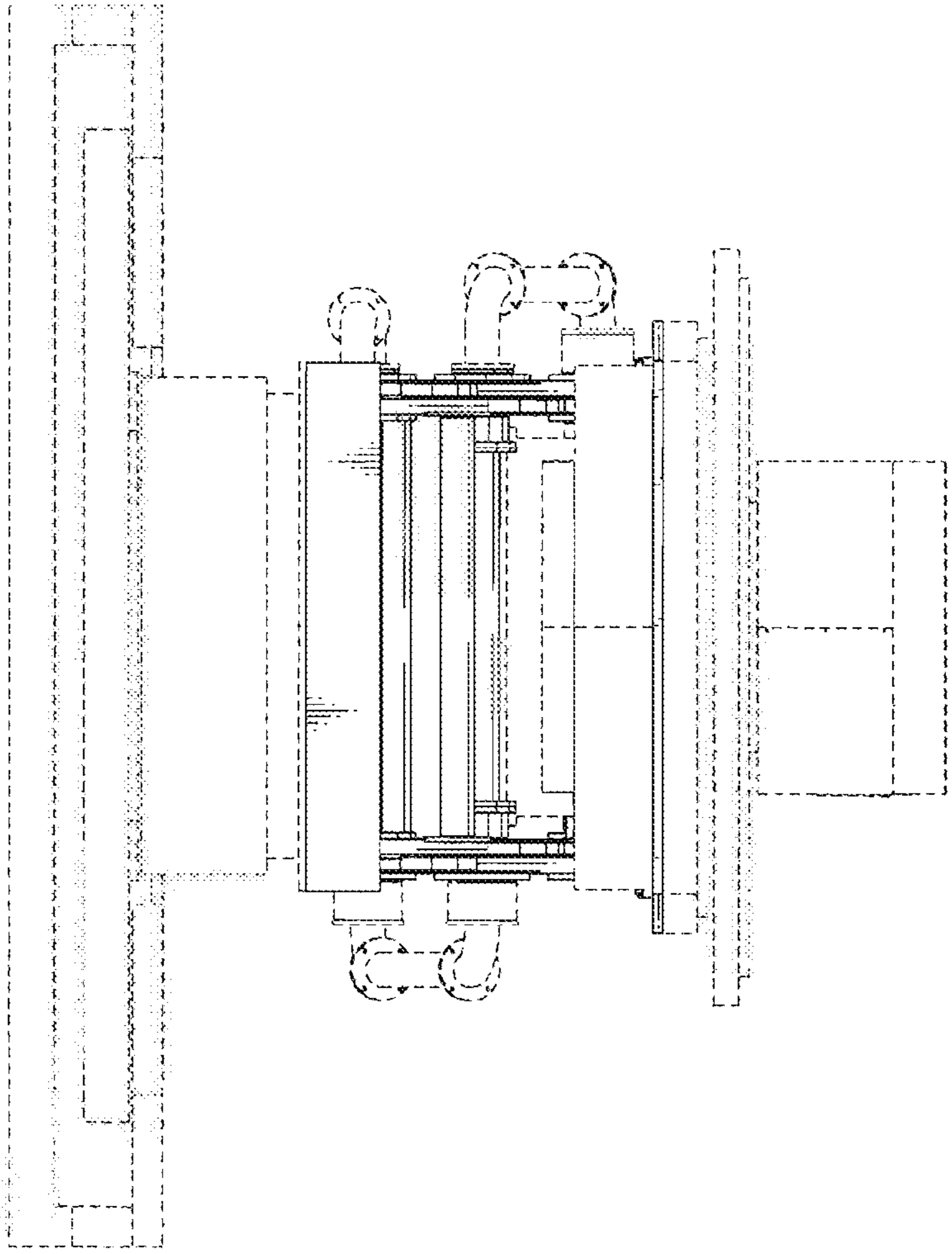
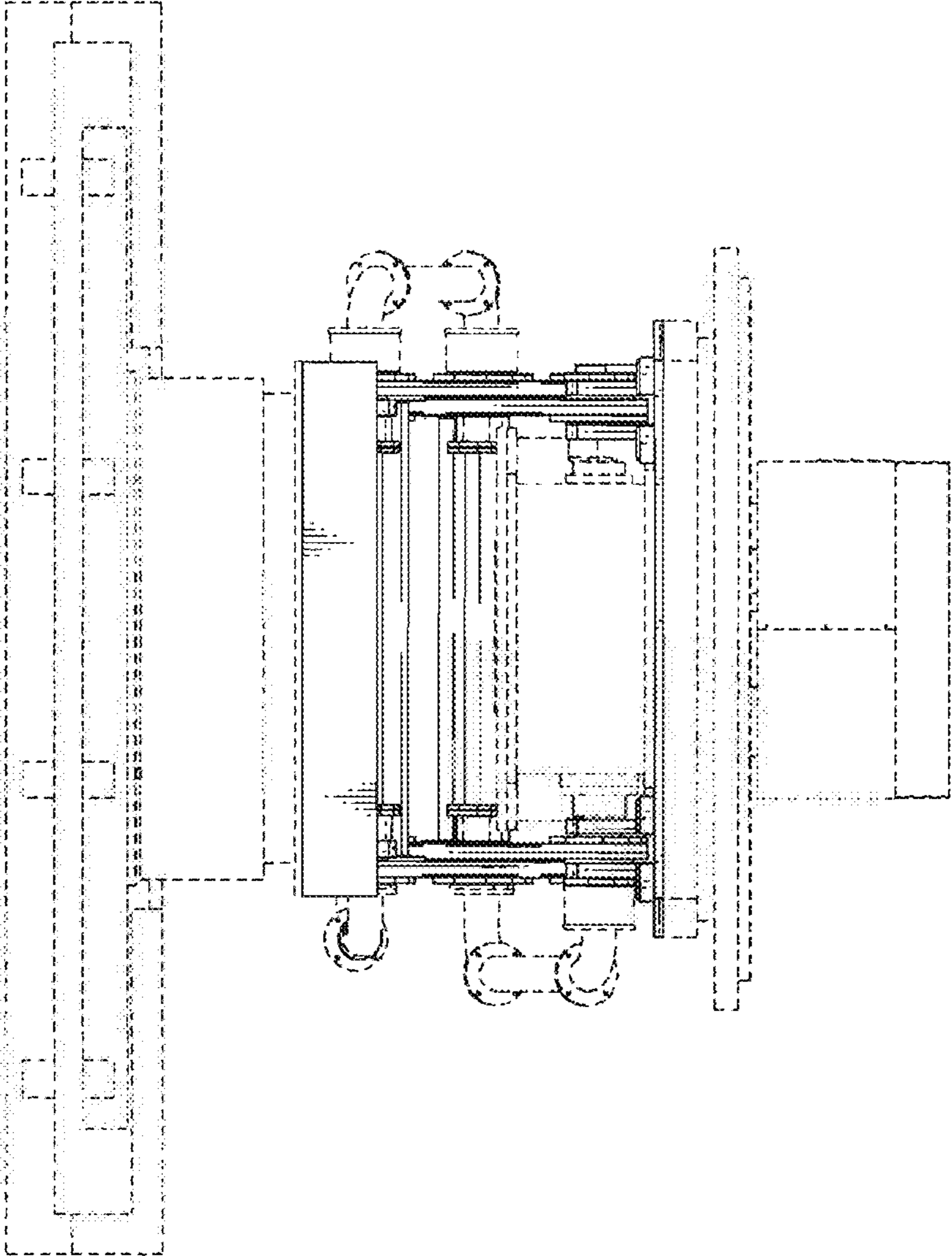


FIG. 7



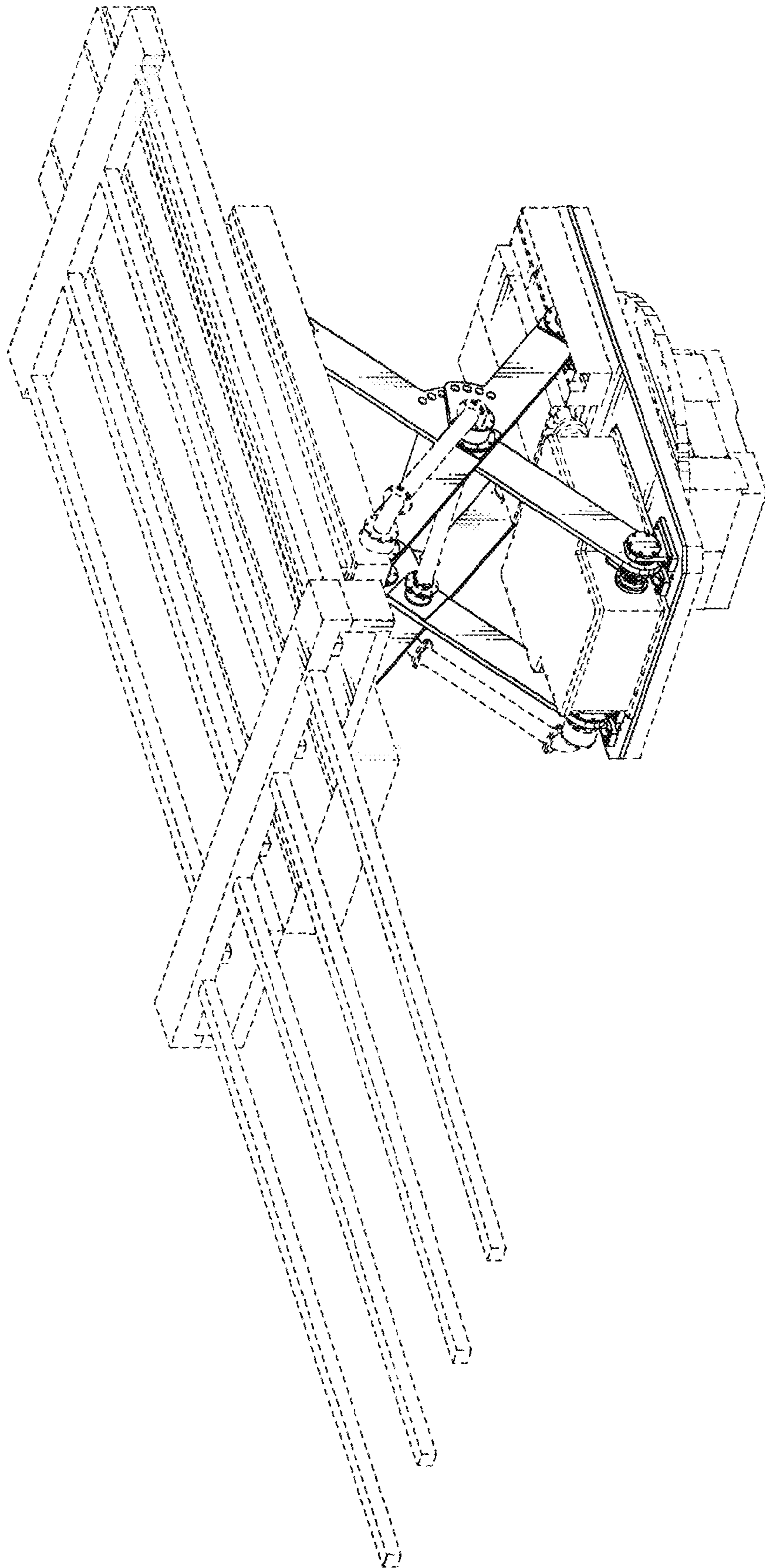


FIG. 8