

US00D647679S

(12) **United States Design Patent**
Liao

(10) **Patent No.:** **US D647,679 S**
(45) **Date of Patent:** **** Oct. 25, 2011**

(54) **GOLF CART**

(75) Inventor: **Gordon Liao, Yung Kang (TW)**

(73) Assignee: **Unique Product & Design Co., Ltd.,**
Yung Kang, Tainan Hsien (TW)

(**) Term: **14 Years**

(21) Appl. No.: **29/385,271**

(22) Filed: **Feb. 11, 2011**

(51) **LOC (9) Cl.** **12-03**

(52) **U.S. Cl.** **D34/15**

(58) **Field of Classification Search** D34/12-27;
280/DIG. 5, DIG. 6; 180/19.3, 19.1, 215,
180/216, 907

See application file for complete search history.

(56) **References Cited**

U.S. PATENT DOCUMENTS

D596,821 S * 7/2009 Reimers et al. D34/15
D622,924 S * 8/2010 Liao D34/15

D634,913 S * 3/2011 Xie D34/15
D638,601 S * 5/2011 Lin D34/15
2009/0115168 A1* 5/2009 Liao 280/651

* cited by examiner

Primary Examiner — Cynthia Ramirez

(74) *Attorney, Agent, or Firm* — Alan Kamrath; Kamrath & Associates PA

(57) **CLAIM**

The ornamental design for a golf cart, as shown and described.

DESCRIPTION

FIG. 1 is a perspective view of a golf cart showing my new design;

FIG. 2 is a front elevational view thereof;

FIG. 3 is a rear elevational view thereof;

FIG. 4 is a left side elevational view thereof;

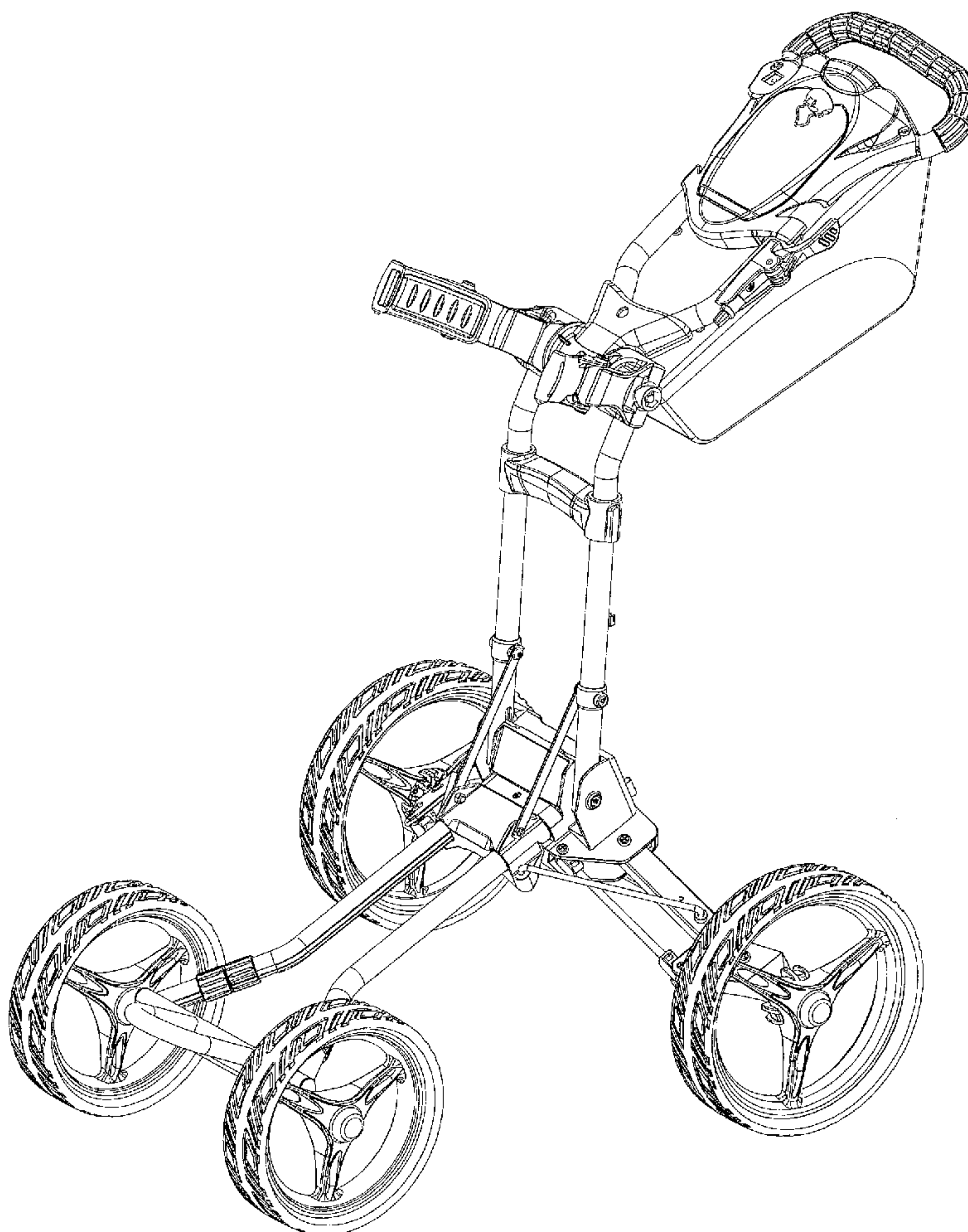
FIG. 5 is a right side elevational view thereof;

FIG. 6 is a top plan view thereof;

FIG. 7 is a bottom plan view thereof; and,

FIG. 8 is a perspective schematic view illustrating a golf cart showing my design being folded.

1 Claim, 8 Drawing Sheets



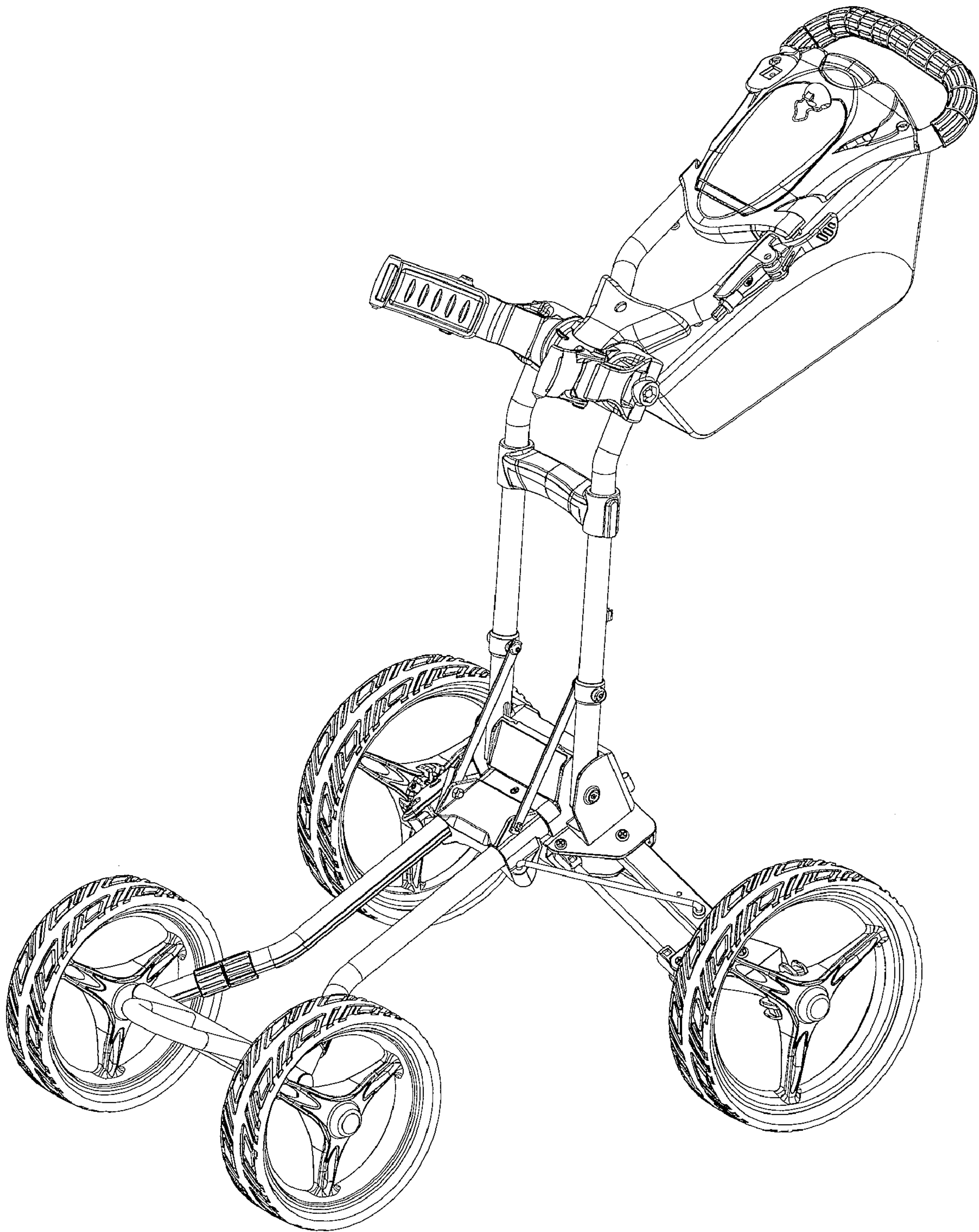


FIG. 1

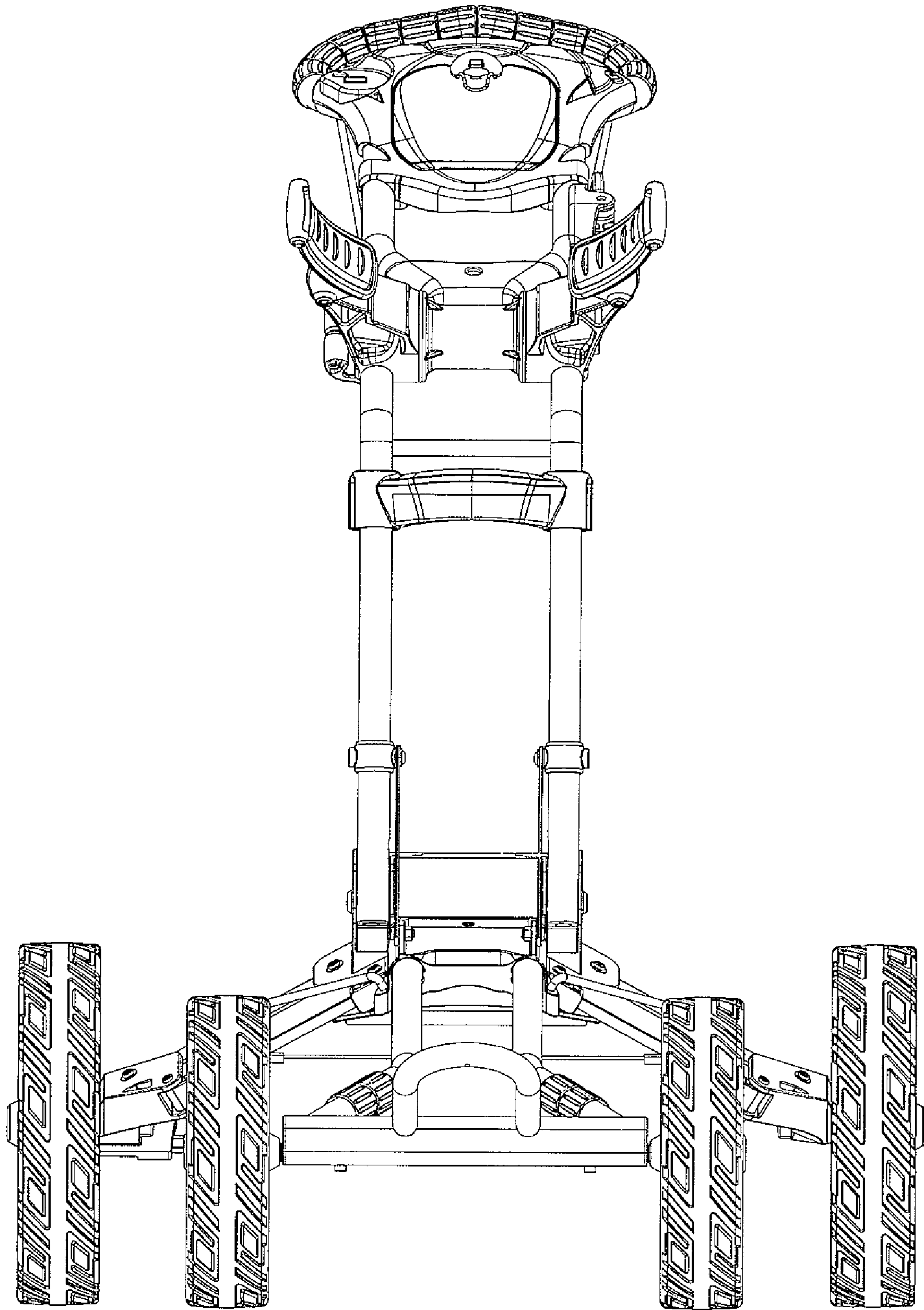


FIG. 2

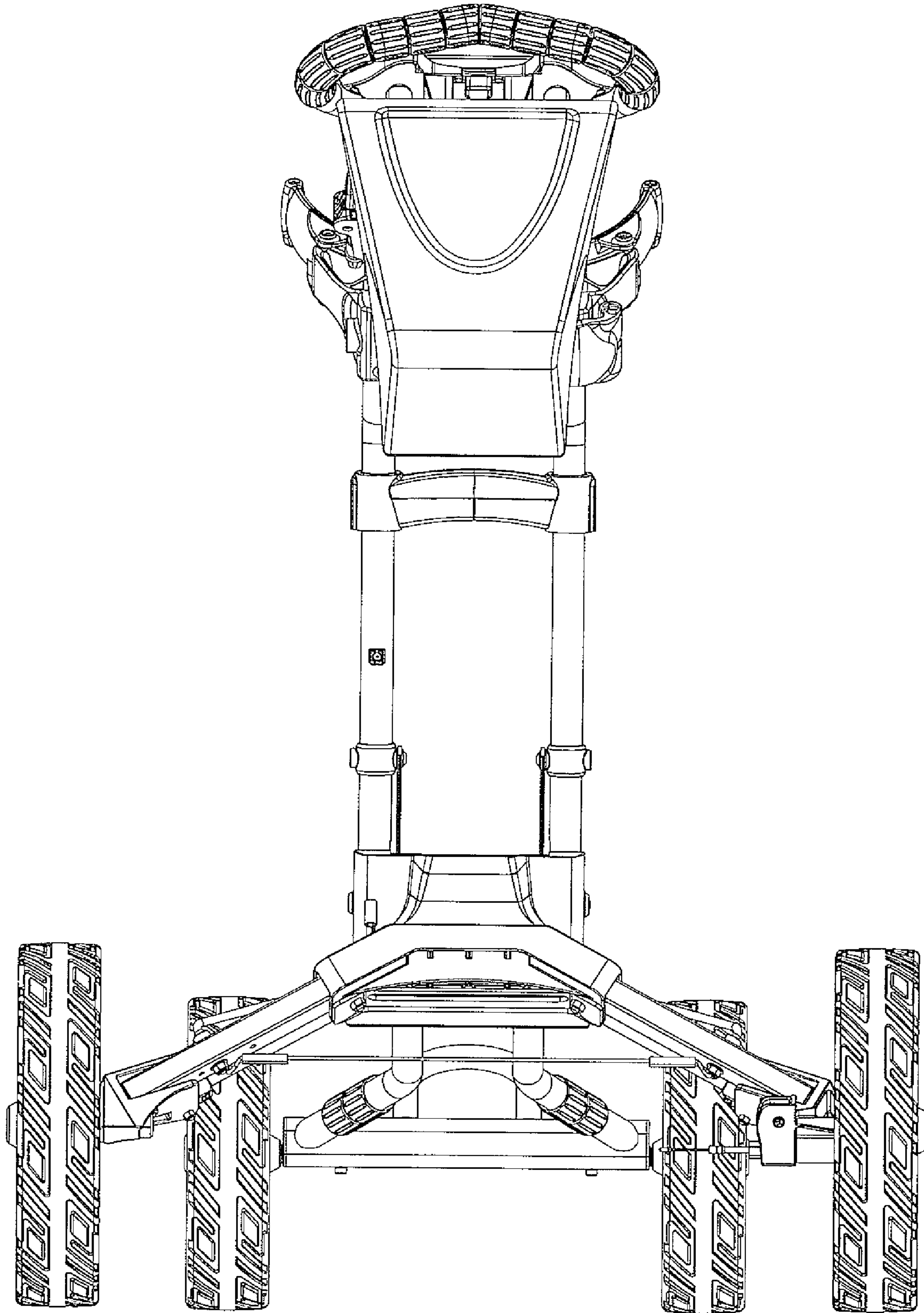


FIG. 3

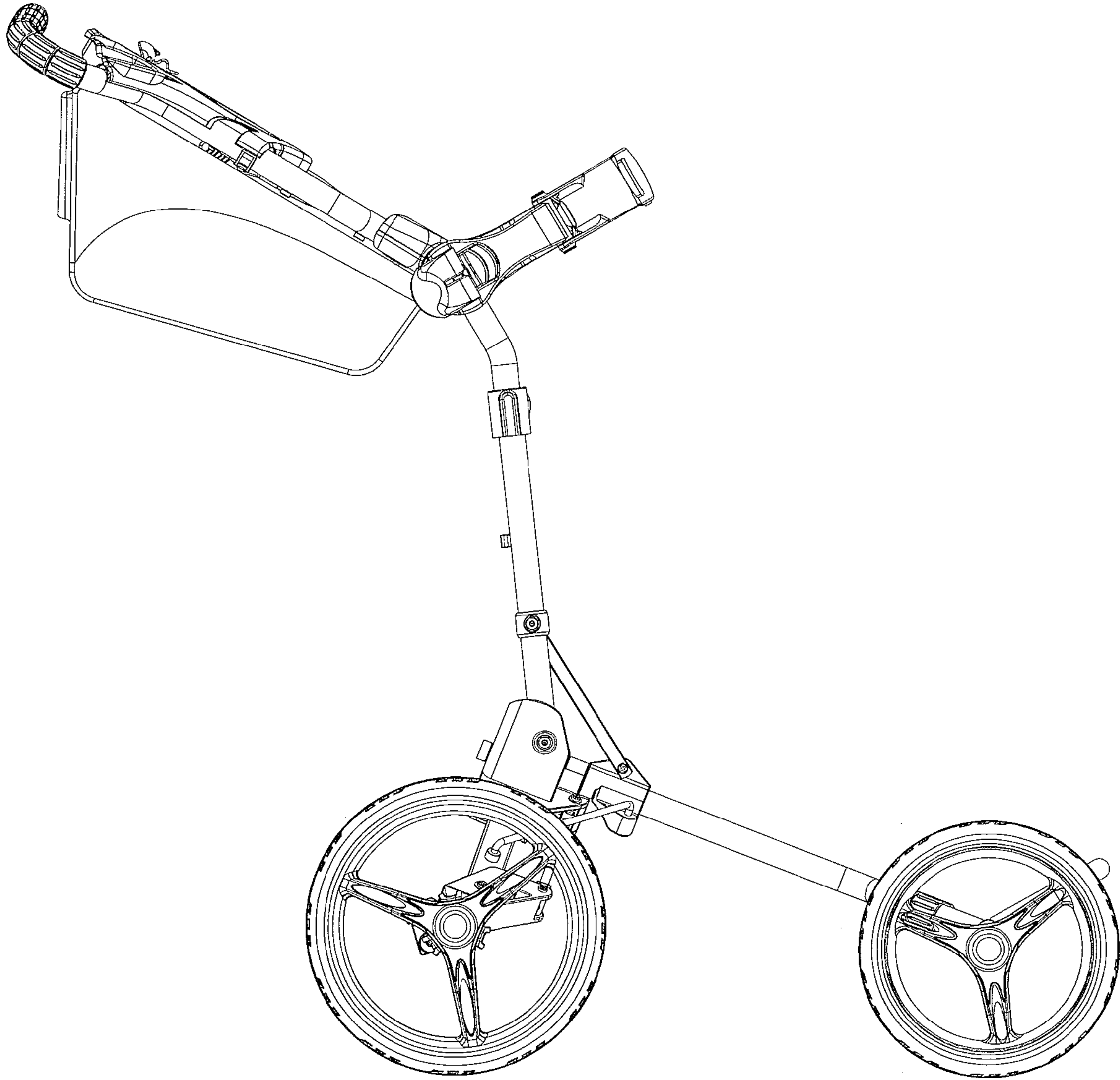


FIG. 4

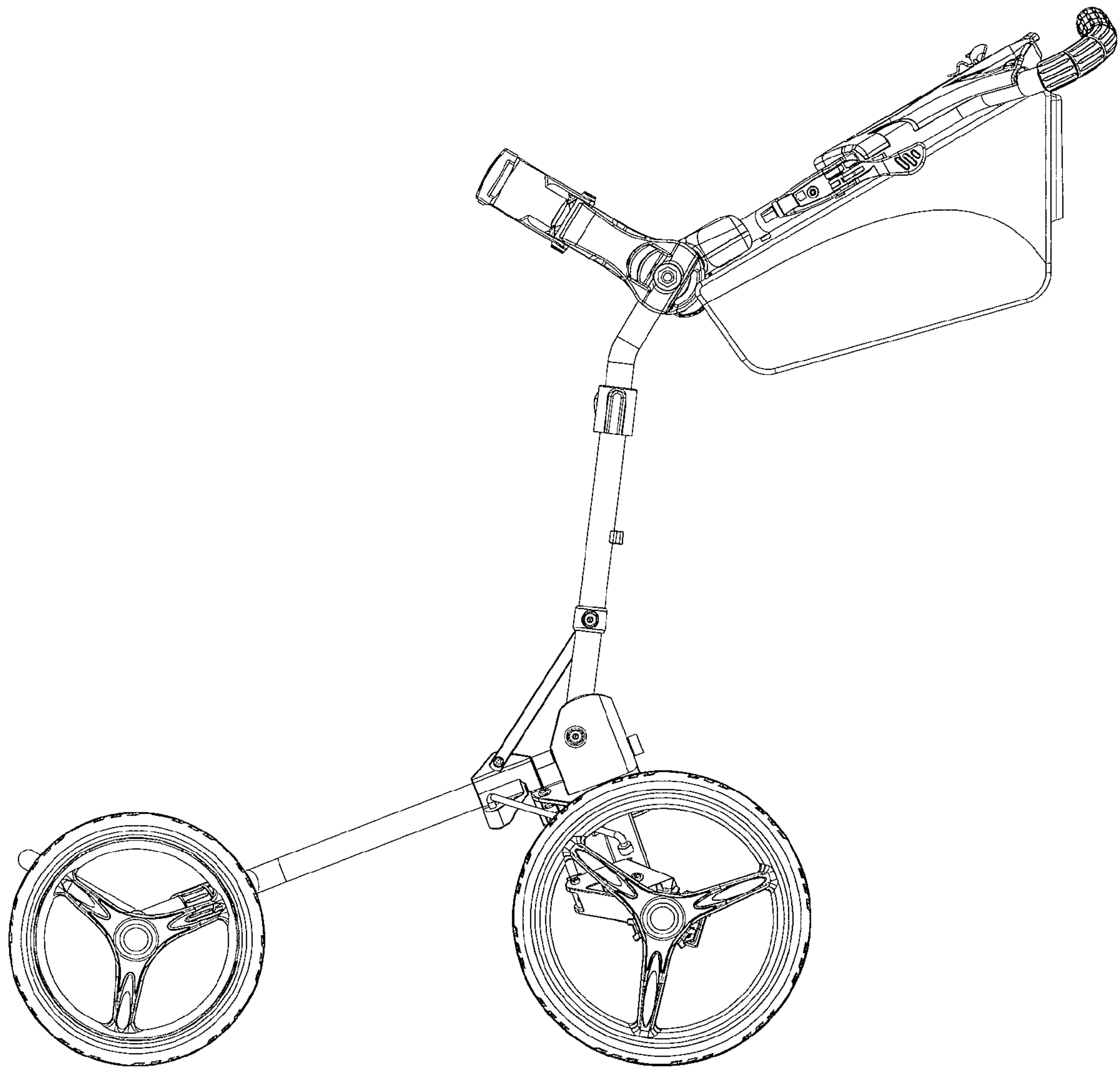


FIG. 5

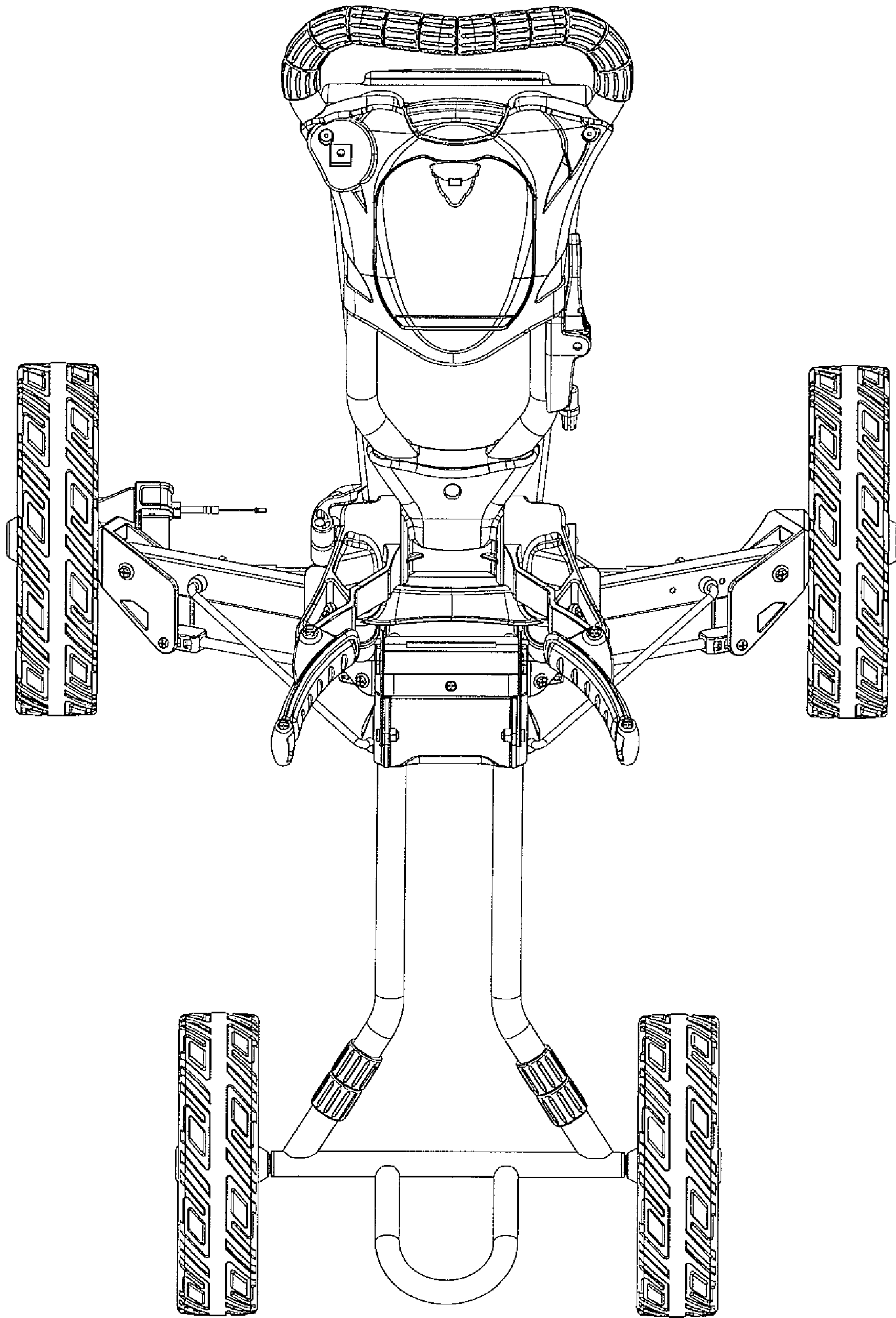


FIG. 6

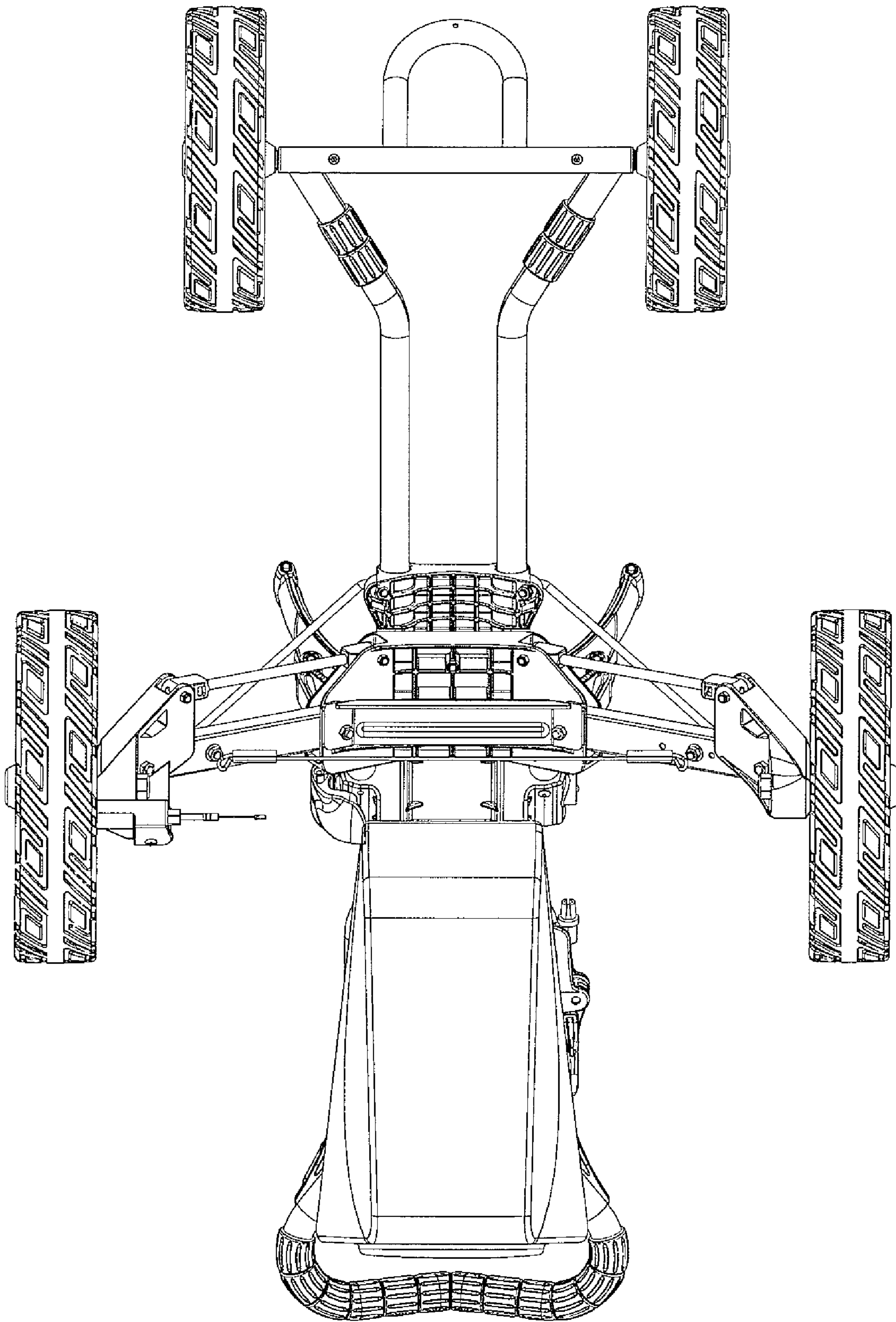


FIG. 7

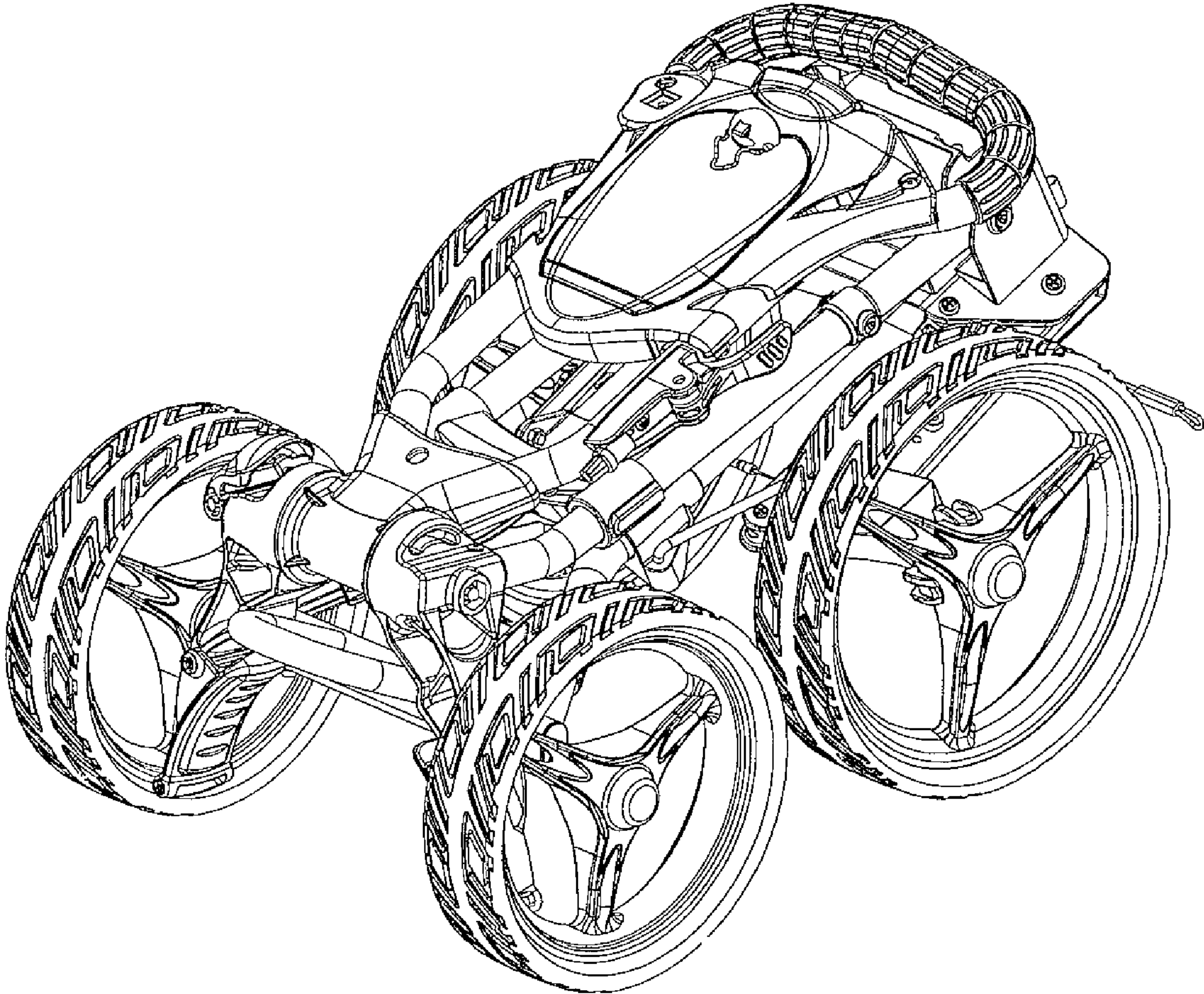


FIG. 8