



US00D647678S

(12) **United States Design Patent**  
**Yang et al.**

(10) **Patent No.:** **US D647,678 S**

(45) **Date of Patent:** **\*\* Oct. 25, 2011**

(54) **DISHRACK**

(75) Inventors: **Frank Yang**, Rancho Palos Verdes, CA (US); **Tzu-Hao Wei**, Hacienda Heights, CA (US); **Di-Fong Chang**, Torrance, CA (US); **Myk Lum**, Irvine, CA (US); **Adam Wade**, Rancho Santa Margarita, CA (US)

(73) Assignee: **Simplehuman LLC**, Torrance, CA (US)

(\*\*) Term: **14 Years**

(21) Appl. No.: **29/386,865**

(22) Filed: **Mar. 4, 2011**

(51) **LOC (9) Cl.** ..... **07-05**

(52) **U.S. Cl.** ..... **D32/55**

(58) **Field of Classification Search** ..... D32/55-56, D32/58; 4/637, 656; 211/41.2-41.4, 41.8-41.9, 211/181.1, 126.8-126.9, 85.25, 86.01, 88.01; 220/485, 487-488, 494, 572; D6/462; D7/667  
See application file for complete search history.

(56) **References Cited**

**U.S. PATENT DOCUMENTS**

D520,699 S	*	5/2006	Yang et al.	.....	D32/55
D554,818 S	*	11/2007	Murray	.....	D32/55
D554,819 S	*	11/2007	Shah	.....	D32/55
D555,310 S	*	11/2007	Yang et al.	.....	D32/55

D555,311 S	*	11/2007	Yang et al.	.....	D32/55
D559,491 S	*	1/2008	Yang et al.	.....	D32/55
D581,619 S	*	11/2008	Yang et al.	.....	D32/55
D599,067 S	*	8/2009	Yang et al.	.....	D32/55
D599,068 S	*	8/2009	Yang et al.	.....	D32/55
D634,089 S	*	3/2011	Wisniewski	.....	D32/55
2005/0167374 A1	*	8/2005	Yang et al.	.....	211/41.18
2005/0269273 A1	*	12/2005	Yang et al.	.....	211/41.4

\* cited by examiner

*Primary Examiner* — Austin Murphy

(74) *Attorney, Agent, or Firm* — Liu & Liu

(57) **CLAIM**

The ornamental design for a dishrack, as shown and described.

**DESCRIPTION**

FIG. 1 is a left perspective view of a dishrack showing our new design;

FIG. 2 is a front view thereof;

FIG. 3 is a rear view thereof;

FIG. 4 is a right side view thereof;

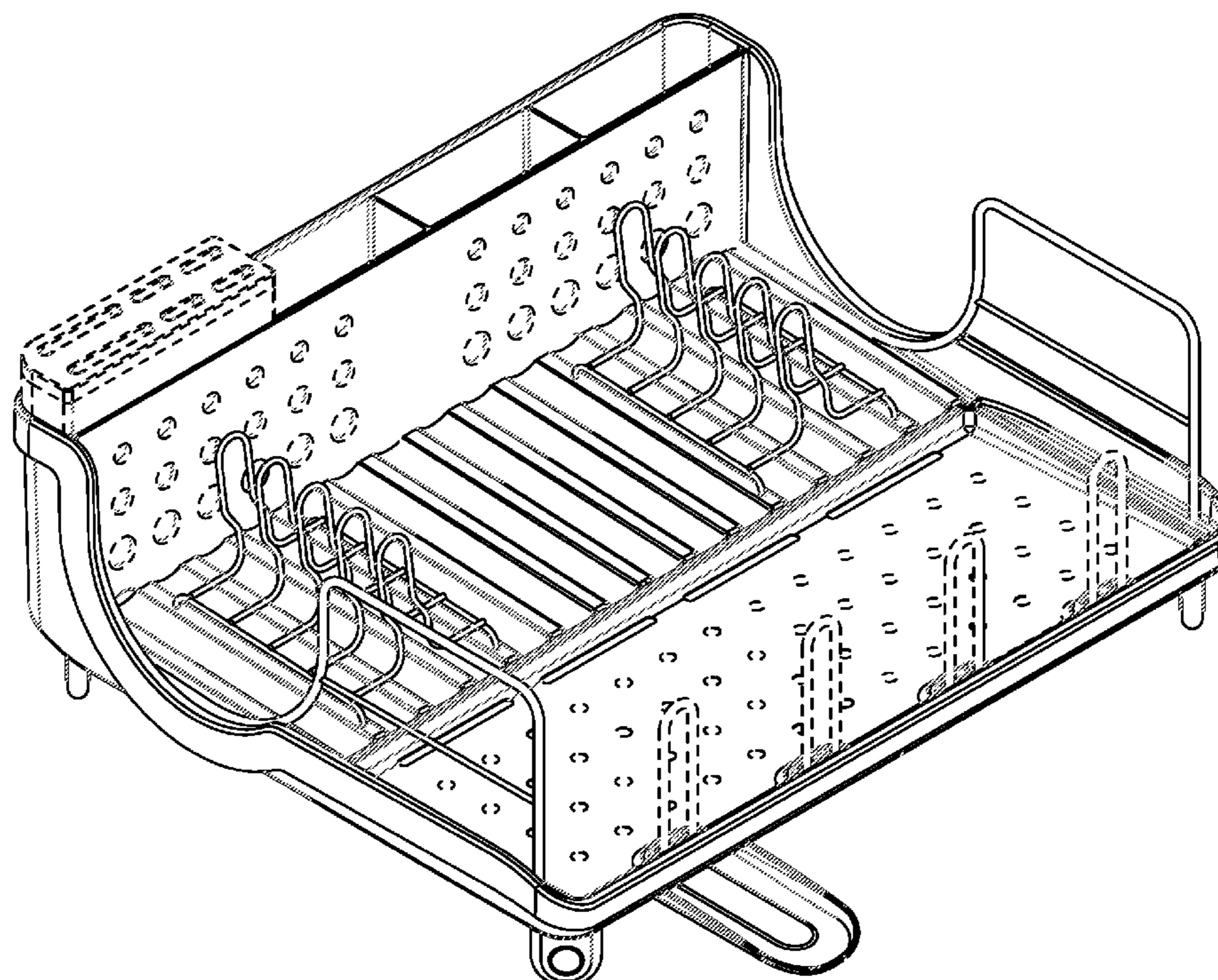
FIG. 5 is a left side view thereof;

FIG. 6 is a top plan view thereof; and,

FIG. 7 is a bottom plan view thereof.

The broken lines in the figures illustrate features of the dishrack that form no part of the claimed design.

**1 Claim, 7 Drawing Sheets**



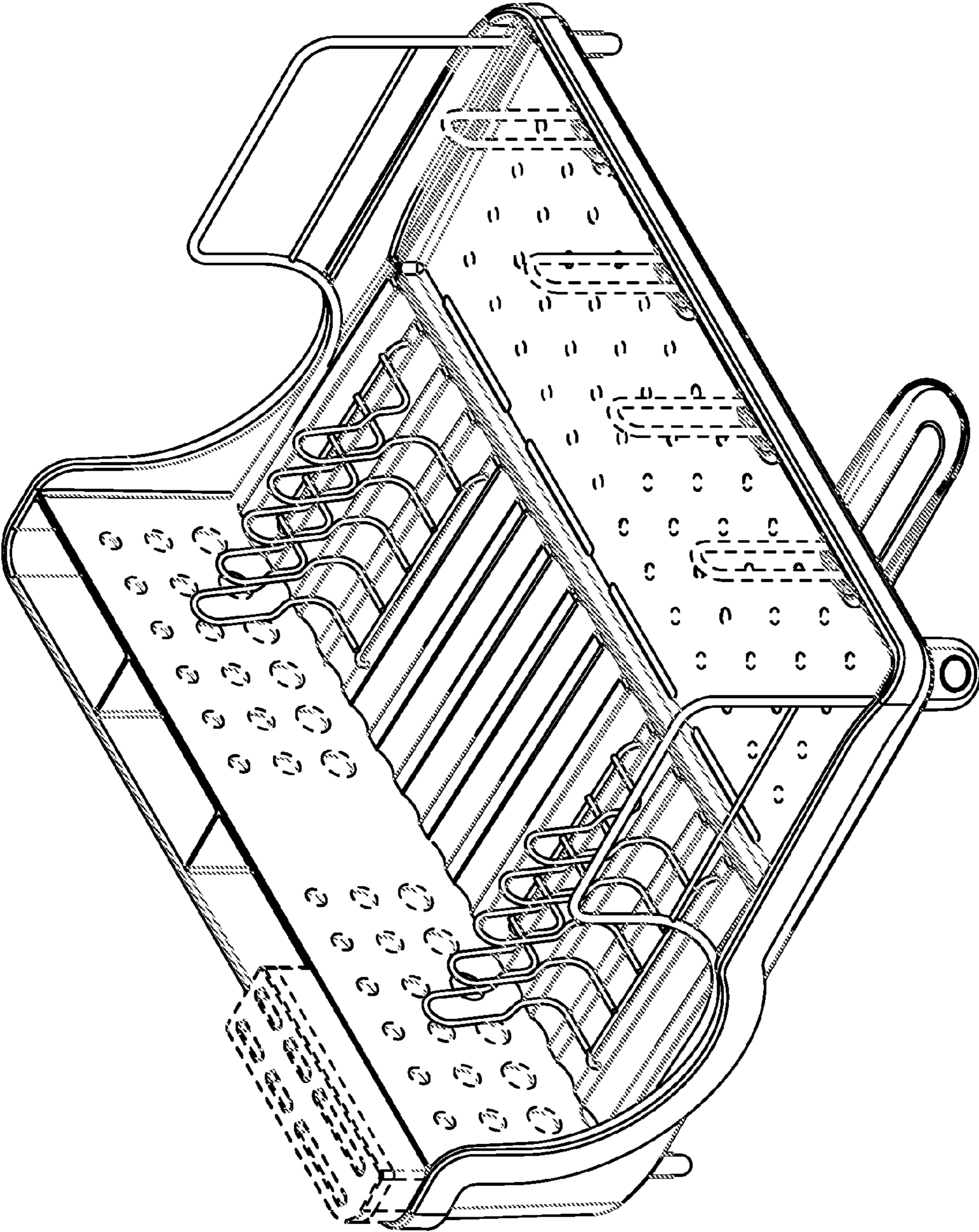


FIG. 1

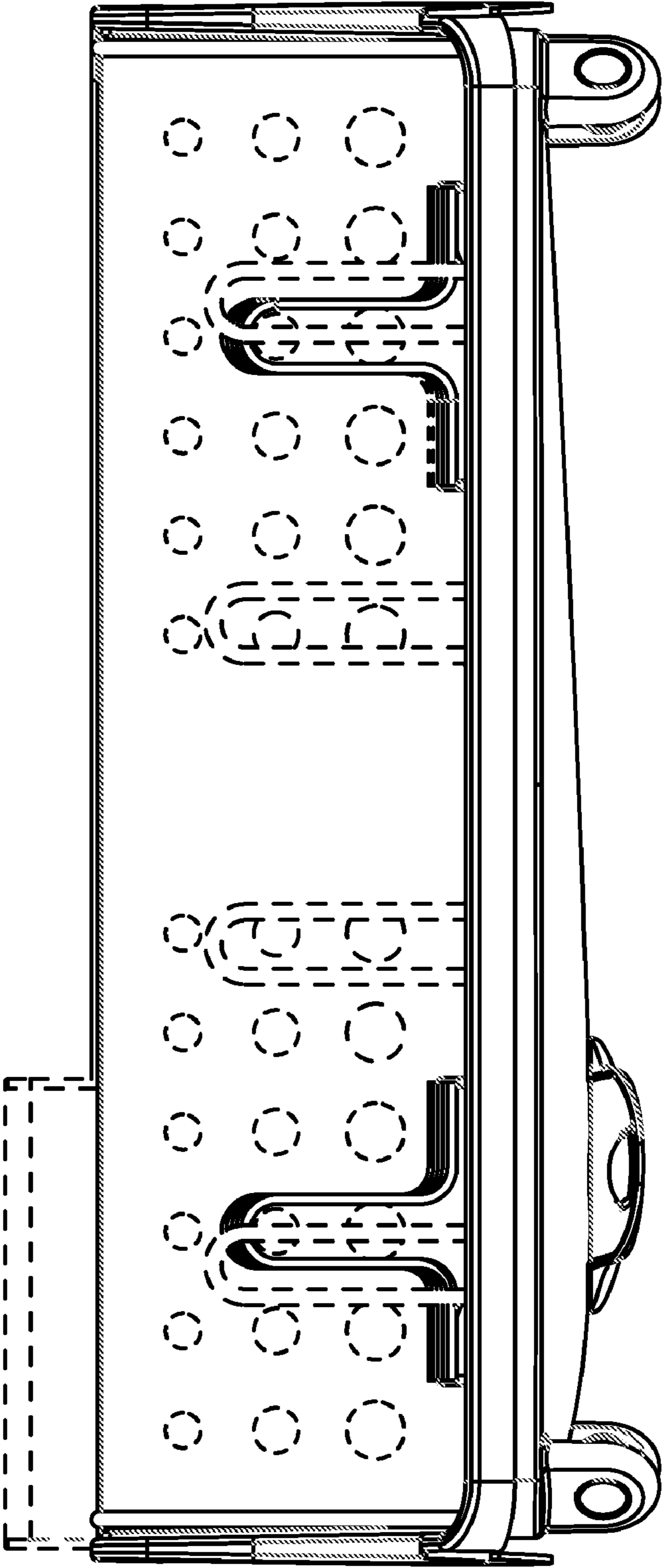


FIG. 2

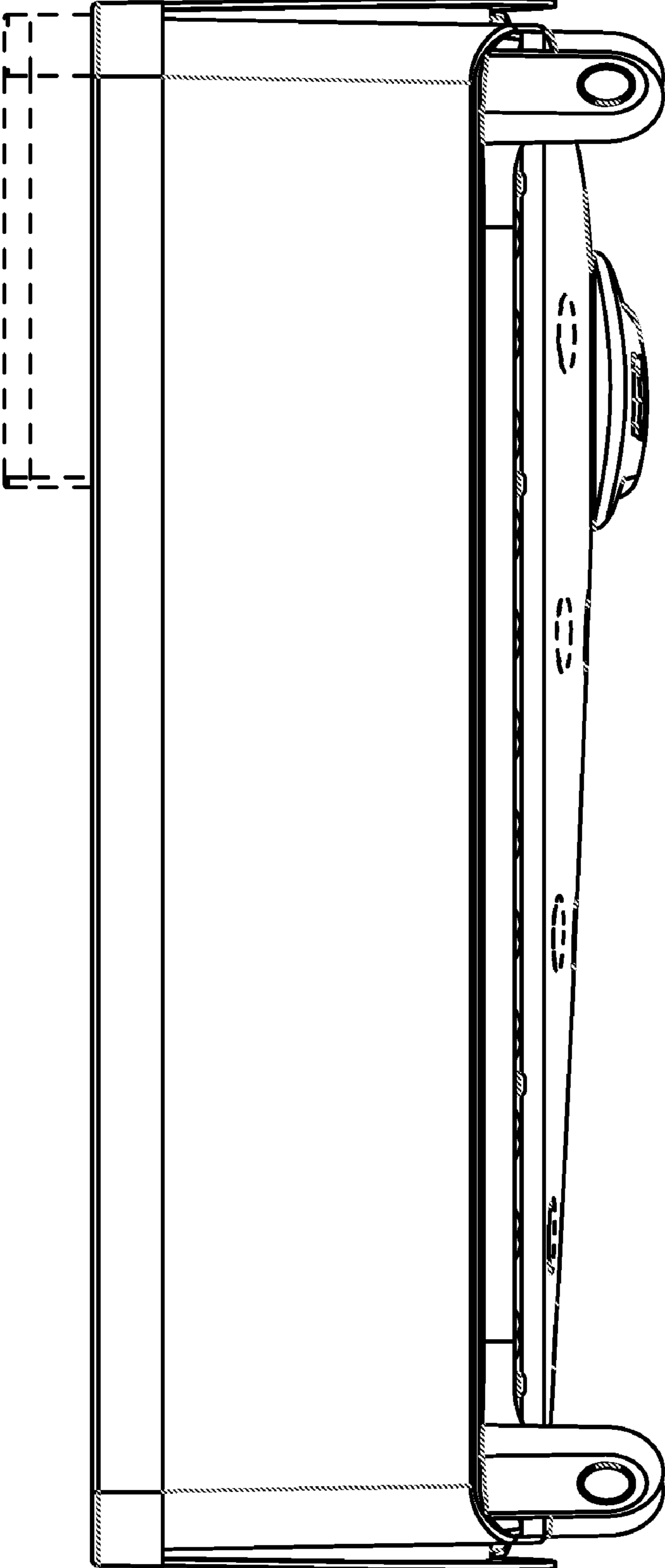


FIG. 3

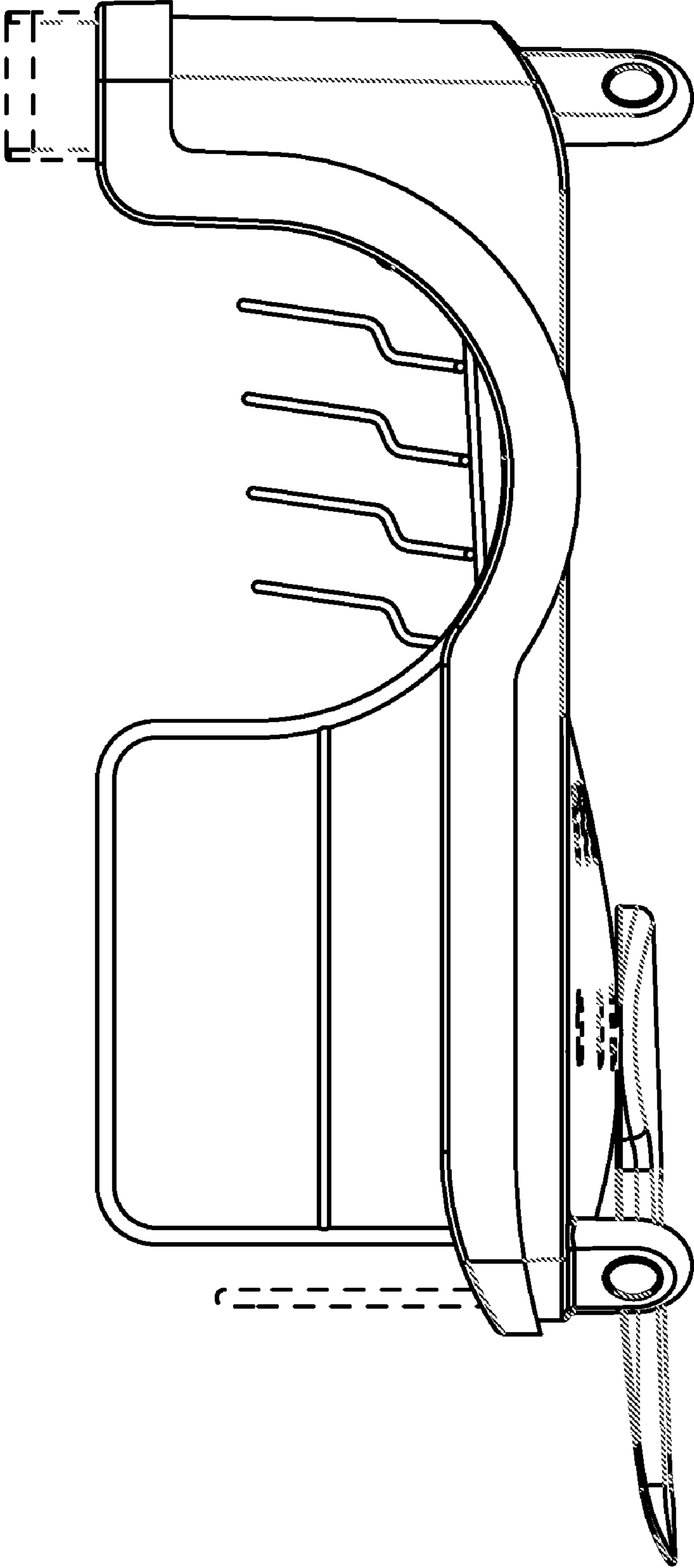


FIG. 4

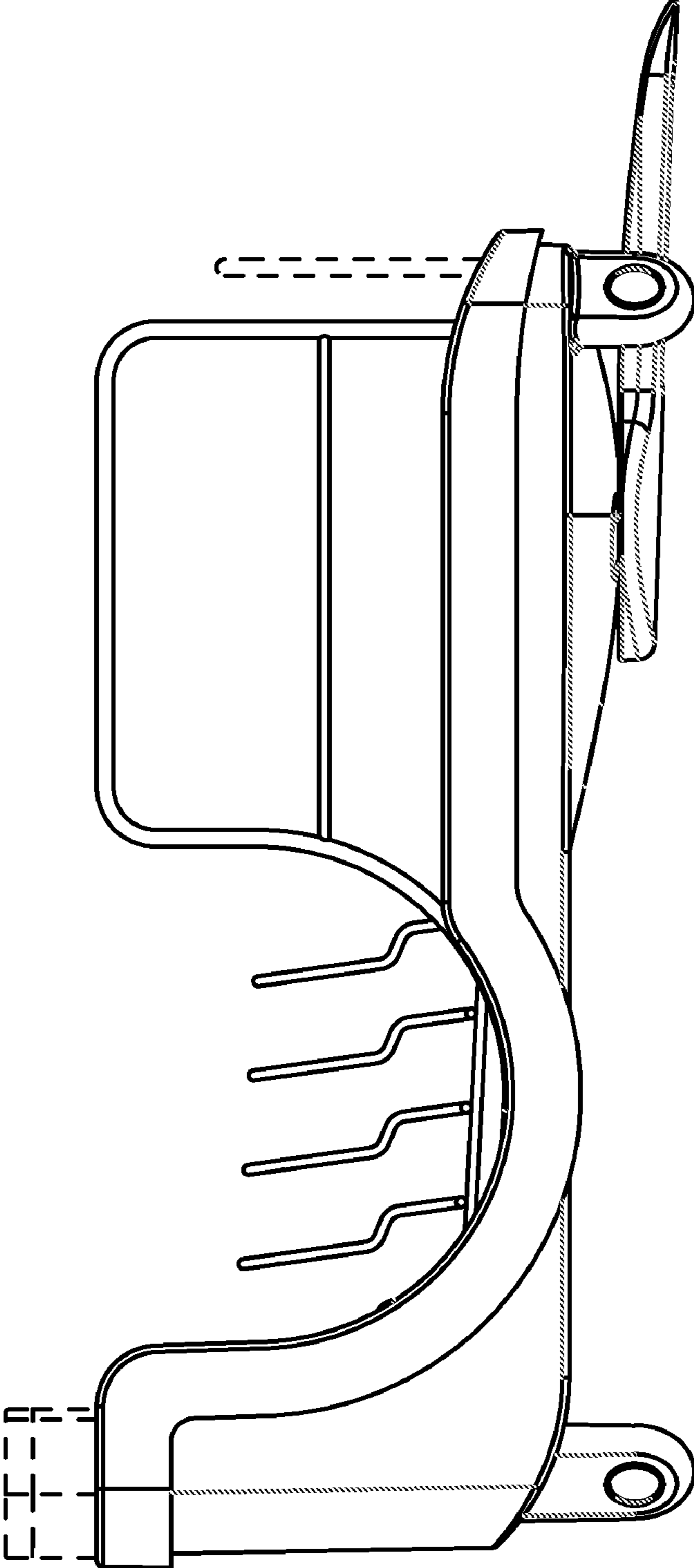


FIG. 5

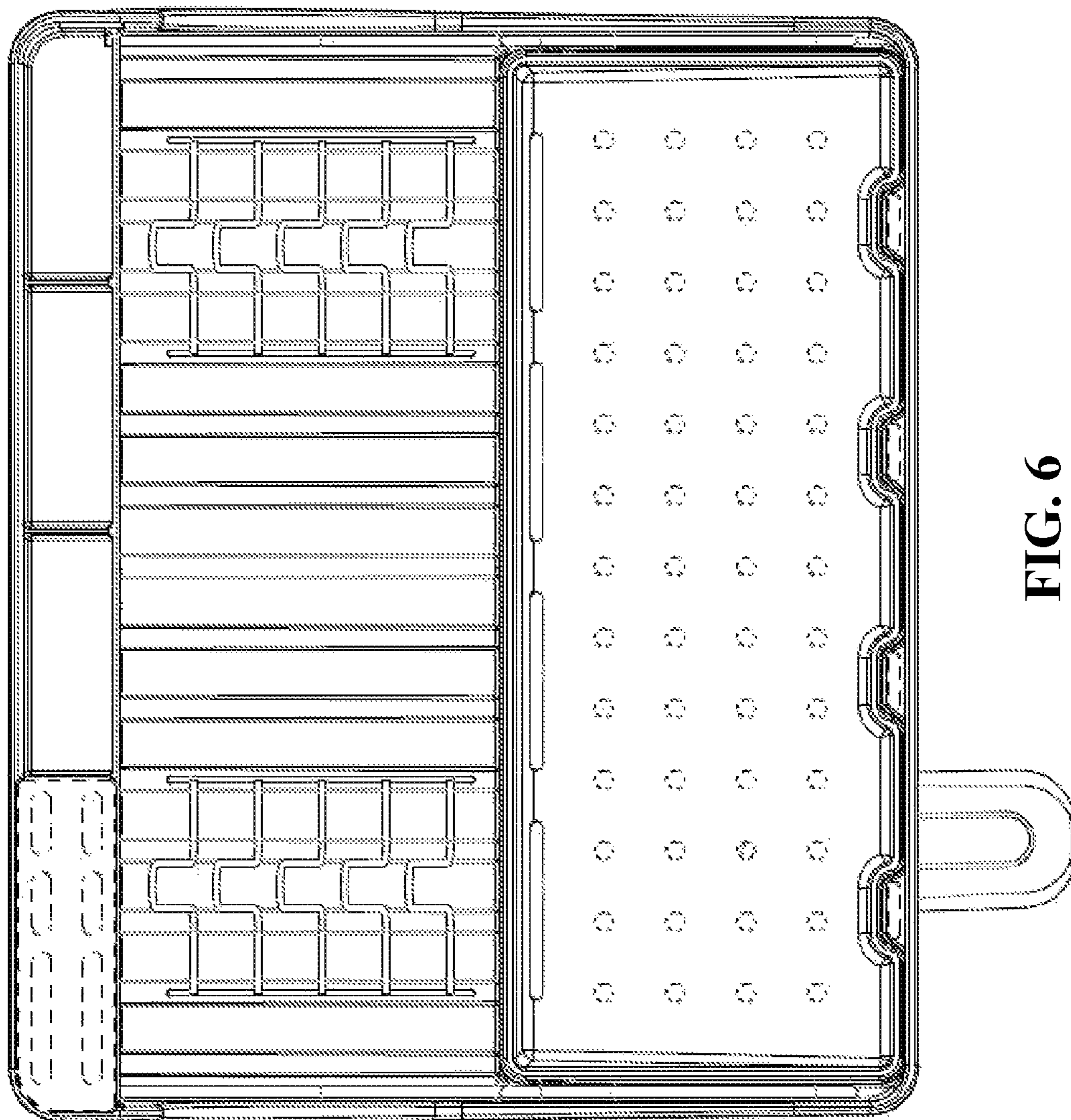


FIG. 6

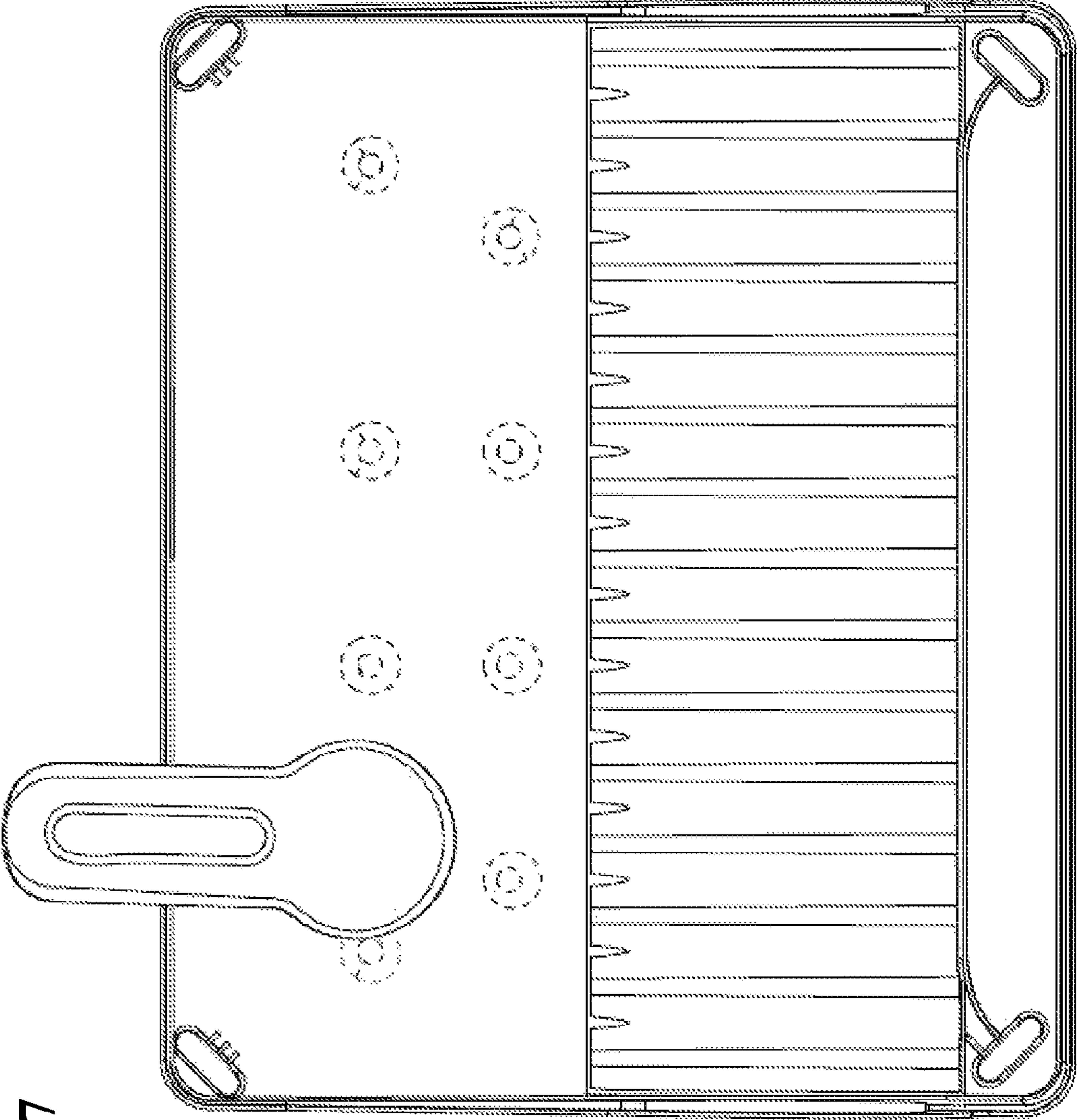


FIG. 7