



US00D647677S

(12) **United States Design Patent**
Dammkoehler

(10) **Patent No.:** **US D647,677 S**

(45) **Date of Patent:** **** Oct. 25, 2011**

(54) **SURFACE CLEANING DEVICE**

FOREIGN PATENT DOCUMENTS

(75) Inventor: **Denis Dammkoehler**, Backnang (DE)

DE 402 01 585 8/2002

EM 000610894-0005 11/2006

EM 000610894-0007 11/2006

(73) Assignee: **Alfred Kaercher GmbH & Co. KG**,
Winnenden (DE)

EM 000728886-0001 6/2007

WO DM/069991 1/2009

WO DM/070542 10/2009

WO DM/072149 5/2010

(**) Term: **14 Years**

OTHER PUBLICATIONS

(21) Appl. No.: **29/349,970**

Extract from catalog of Alfred Kaercher GmbH & Co. KG, "Programme 2006", cover, pp. 9, 11, 13, 21-23, and last page Dec. 2005).

(22) Filed: **May 20, 2010**

(30) **Foreign Application Priority Data**

(Continued)

Nov. 26, 2009 (WO) DM/072 733

(51) **LOC (9) Cl.** **04-01**

Primary Examiner — David Muller

(52) **U.S. Cl.** **D32/51**

(74) *Attorney, Agent, or Firm* — Lipsitz & McAllister, LLC

(58) **Field of Classification Search** D32/50,
D32/51, 38-45, 21, 22; 15/41.1, 42-46,
15/48, 48.1, 79.1, 49.1, 50.3, 415.1, 119.2;
16/DIG. 41

(57) **CLAIM**

The ornamental design for a surface cleaning device, as shown and described.

See application file for complete search history.

DESCRIPTION

(56) **References Cited**

FIG. 1 is a front, top and right side perspective view showing the design;

U.S. PATENT DOCUMENTS

| | | | | | |
|-----------|------|---------|--------------------|-------|----------|
| 4,682,558 | A * | 7/1987 | Broersz | | 15/49.1 |
| D374,750 | S * | 10/1996 | Vanderhoef et al. | | D32/50 |
| 5,896,613 | A * | 4/1999 | Courtney et al. | | 15/119.2 |
| D460,232 | S * | 7/2002 | Weihrauch | | D32/50 |
| D471,334 | S * | 3/2003 | Reede | | D32/50 |
| D544,667 | S * | 6/2007 | Nelson et al. | | D32/50 |
| D547,069 | S * | 7/2007 | Braithwaite et al. | | D32/50 |
| D549,415 | S * | 8/2007 | Trotter et al. | | D32/50 |
| D576,367 | S * | 9/2008 | Anderson et al. | | D32/50 |
| D589,668 | S * | 3/2009 | Byrne | | D32/50 |
| 7,540,056 | B2 * | 6/2009 | Dotterman et al. | | D32/50 |
| D599,518 | S * | 9/2009 | Vrdoljak | | D32/40 |
| D606,719 | S * | 12/2009 | Robertson et al. | | D32/50 |

FIG. 2 is a front, top and left side perspective view showing the design;

FIG. 3 is a front elevational view of the design;

FIG. 4 is a right side elevational view of the design;

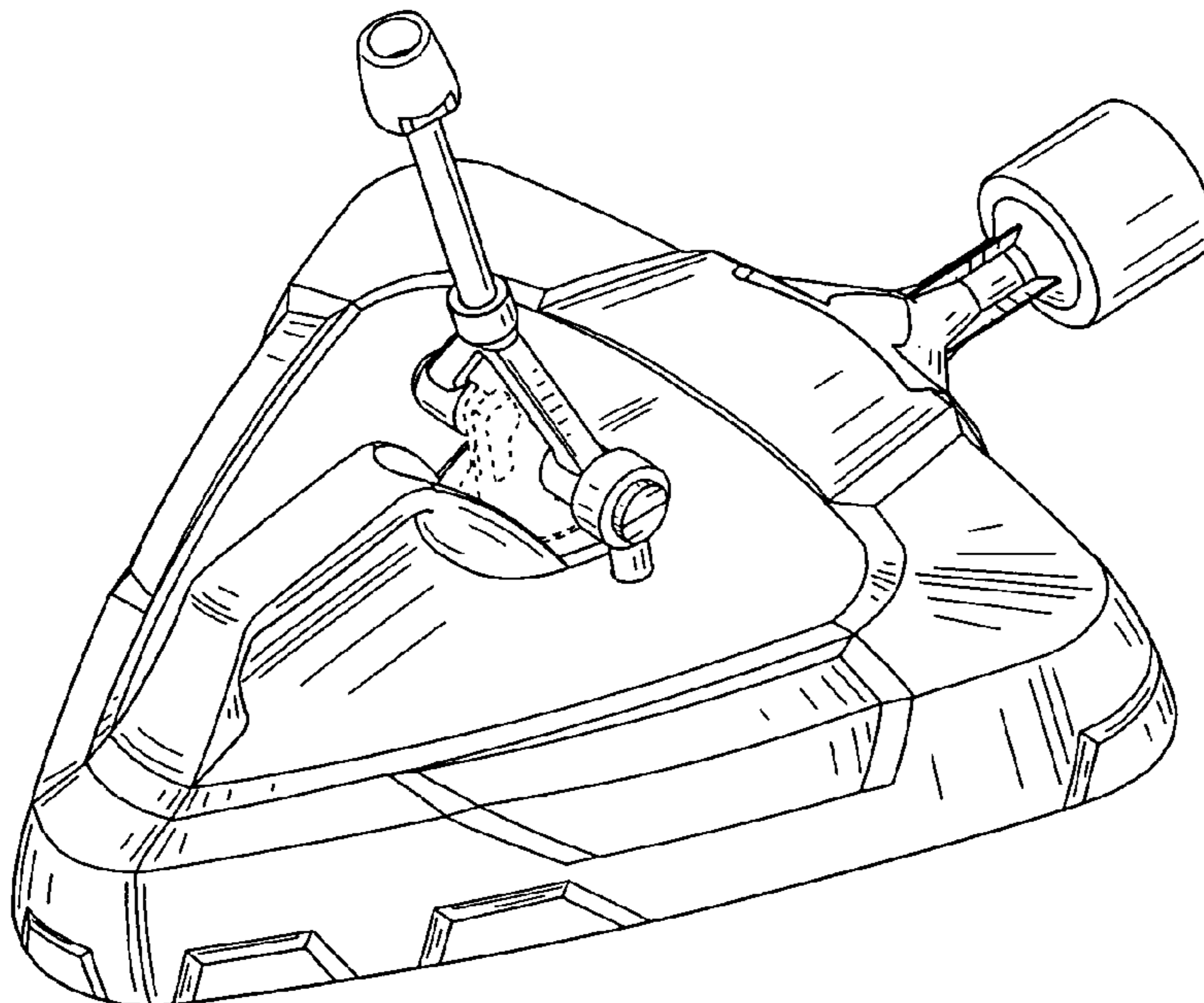
FIG. 5 is a rear elevational view of the design;

FIG. 6 is a left side elevational view of the design; and,

FIG. 7 is a top plan view of the design.

The broken line showing of various elements in the drawings is for the purpose of illustrating portions of mechanical structure and forms no part of the claimed design.

1 Claim, 7 Drawing Sheets



OTHER PUBLICATIONS

Extract from catalog of Alfred Kaercher GmbH & Co. KG, "Programme 2007", cover, pp. 21-22, 24, 27, 29-31, 35-36, unnumbered page with heading Accessories for every application, 123, 134 and last page (Jan. 2007).

Extract from catalog of Alfred Kaercher GmbH & Co. KG, "Programme 2008", cover, pp. 21, 23-24, 26, 29, 31-33, 95 and last page (Dec. 2007).

Extract from catalog of Alfred Kaercher GmbH & Co. KG, "Programme 2009 Kaercher Professional Commercial", cover, pp. 62-63 and last page (Mar. 2009).

Extract from catalog of Alfred Kaercher GmbH & Co. KG, "Programme 2009 Kaercher Residential", cover, pp. 11, 13, 15-18, 21, 23-24, 28, 30 and last page (Mar. 2009).

* cited by examiner

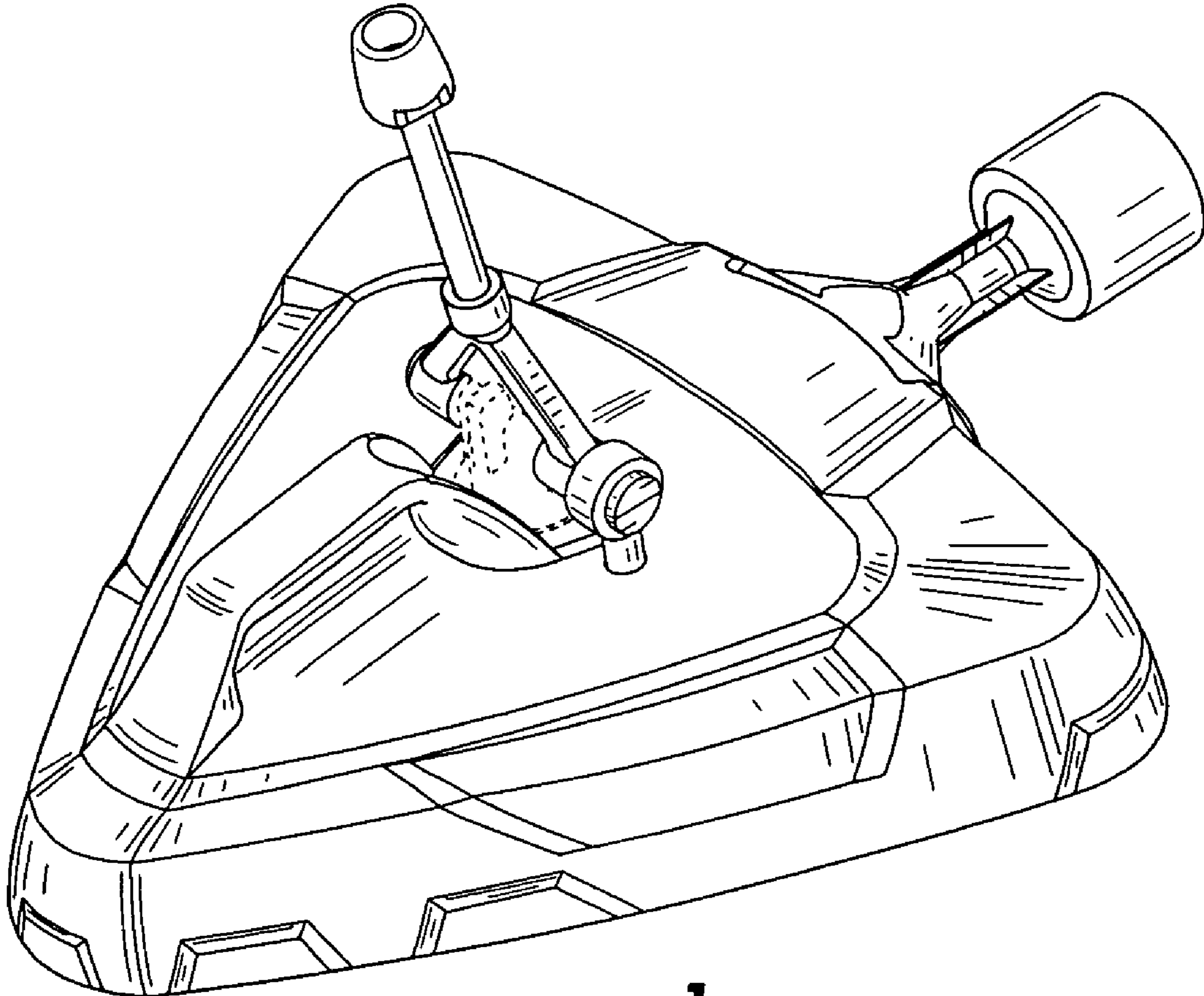


FIG. 1

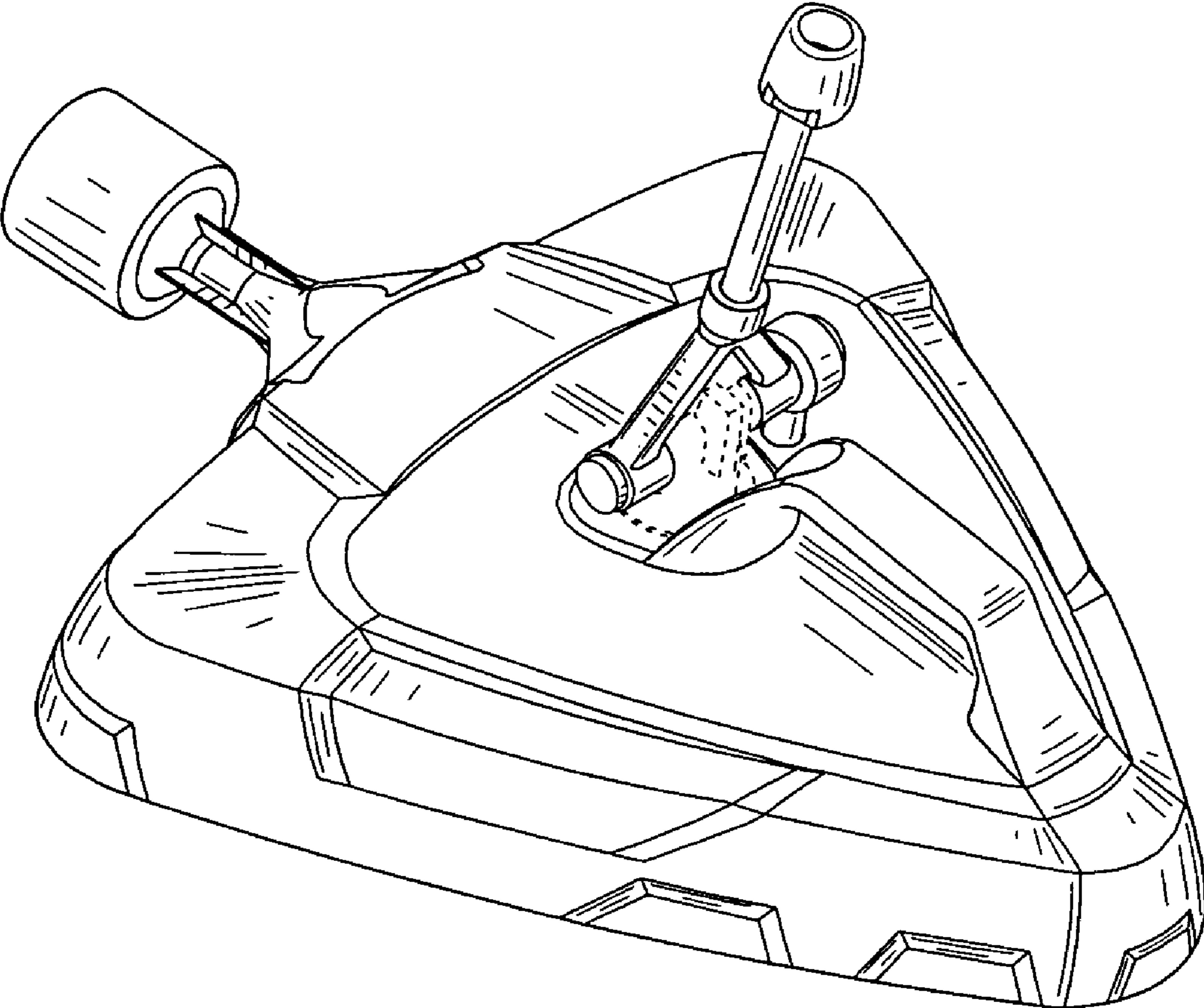


FIG. 2

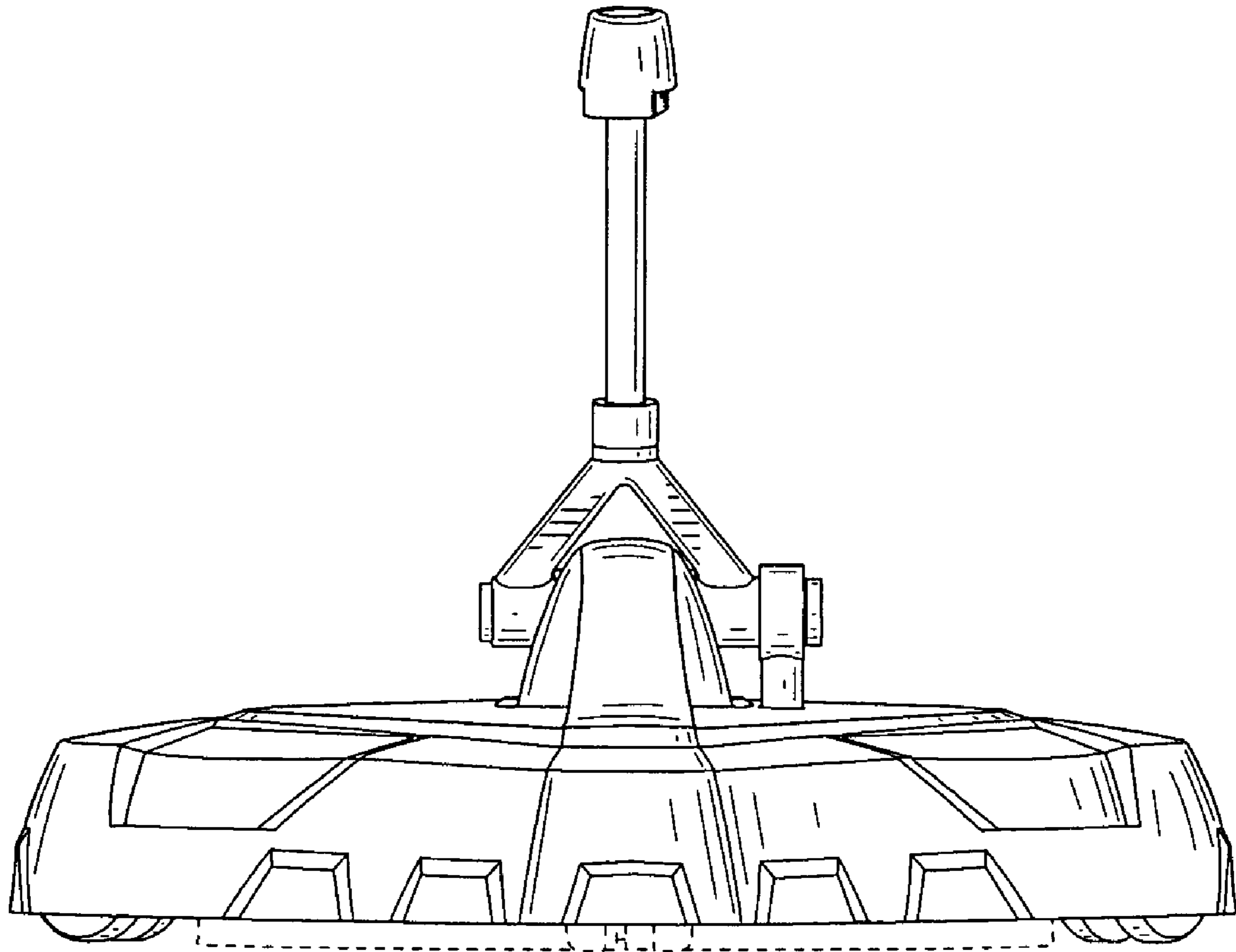


FIG. 3

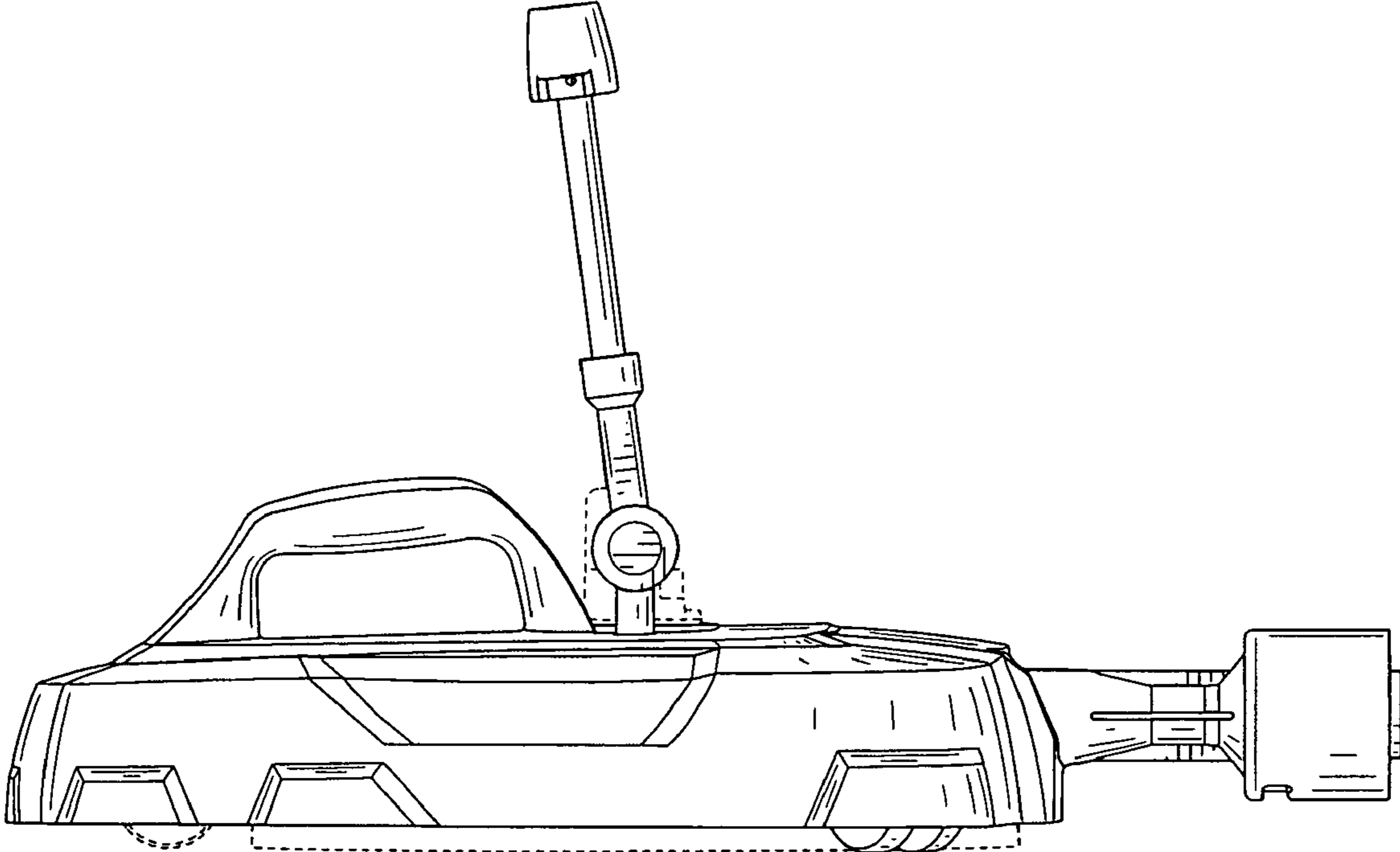


FIG. 4

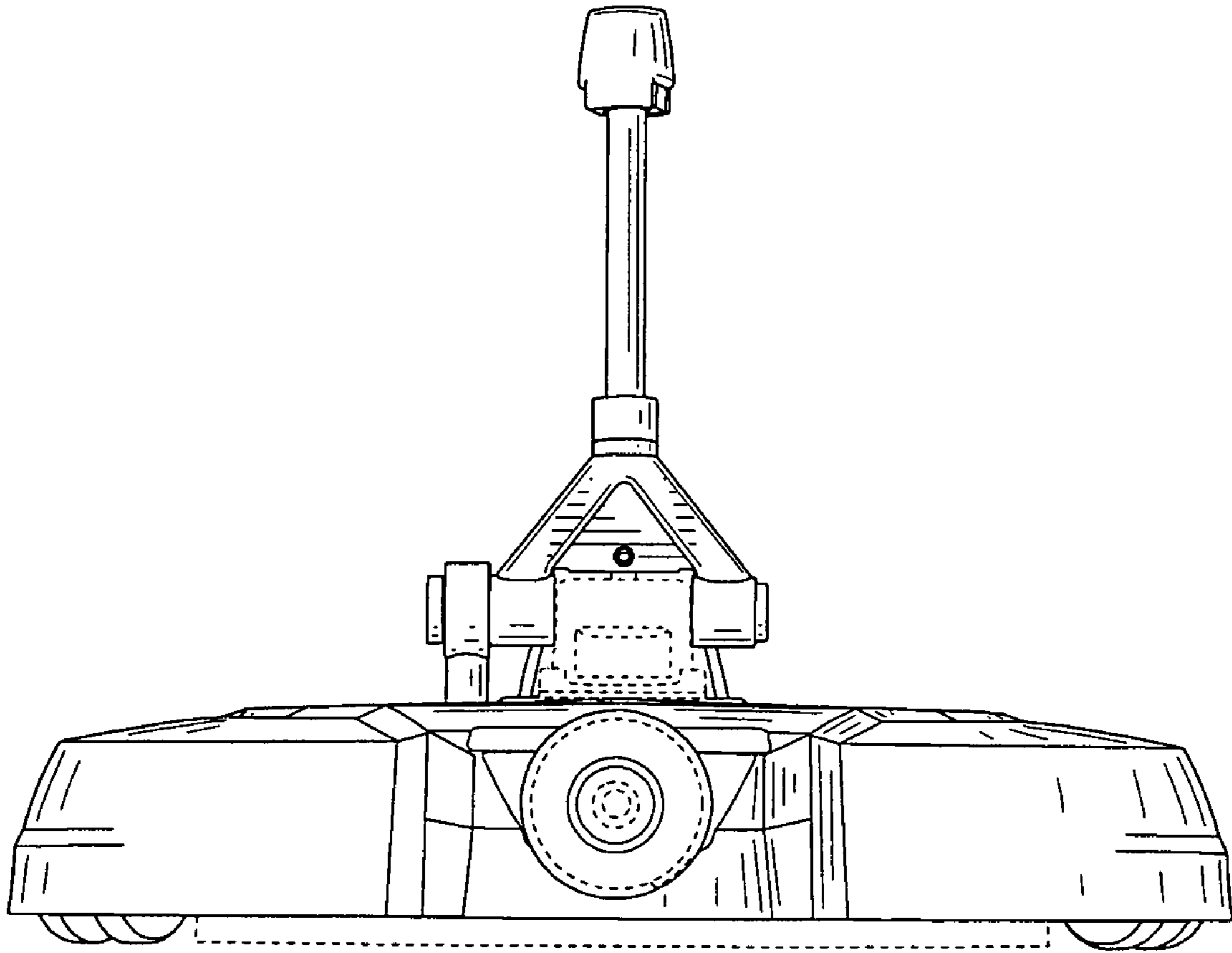


FIG. 5

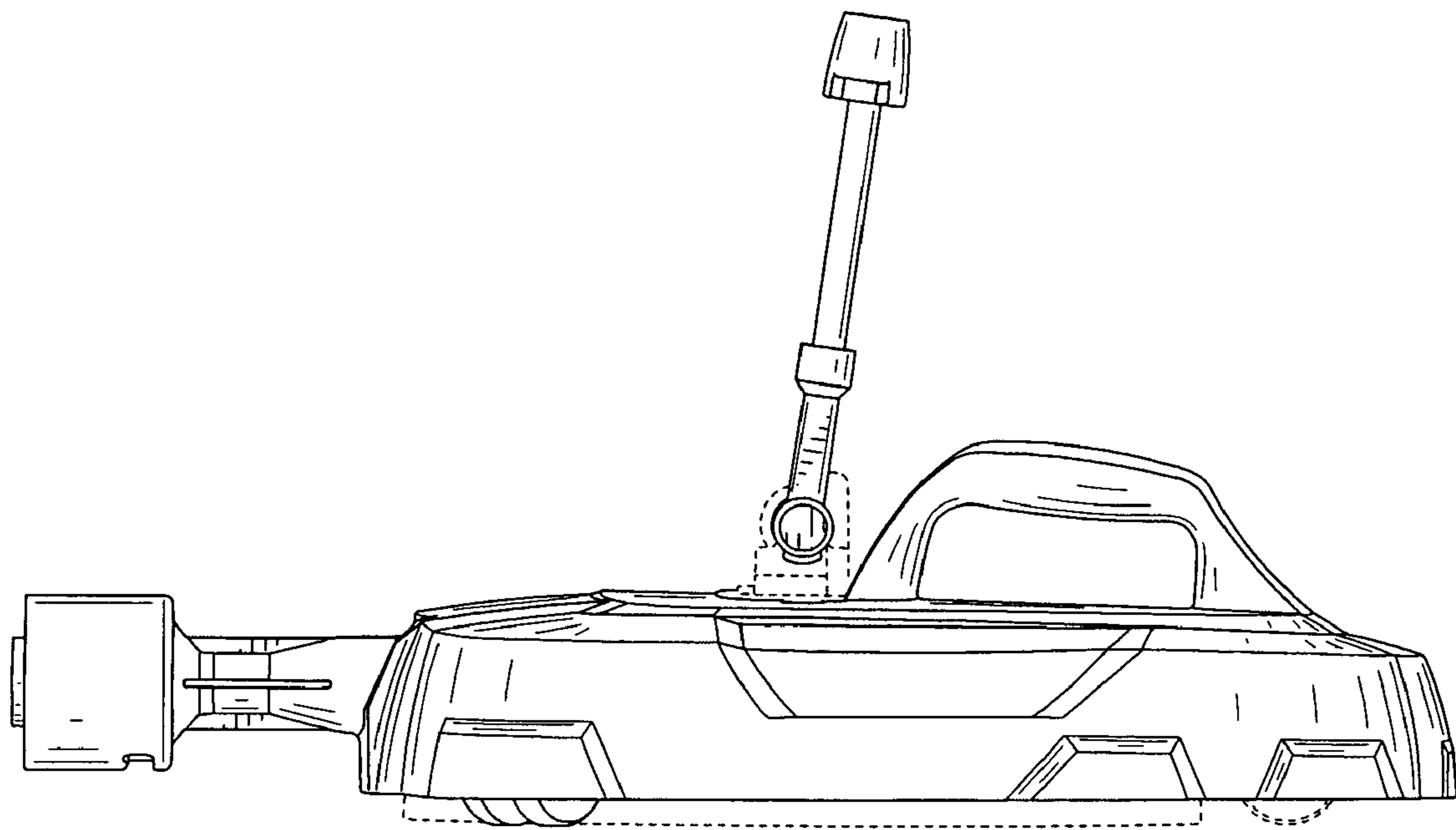


FIG. 6

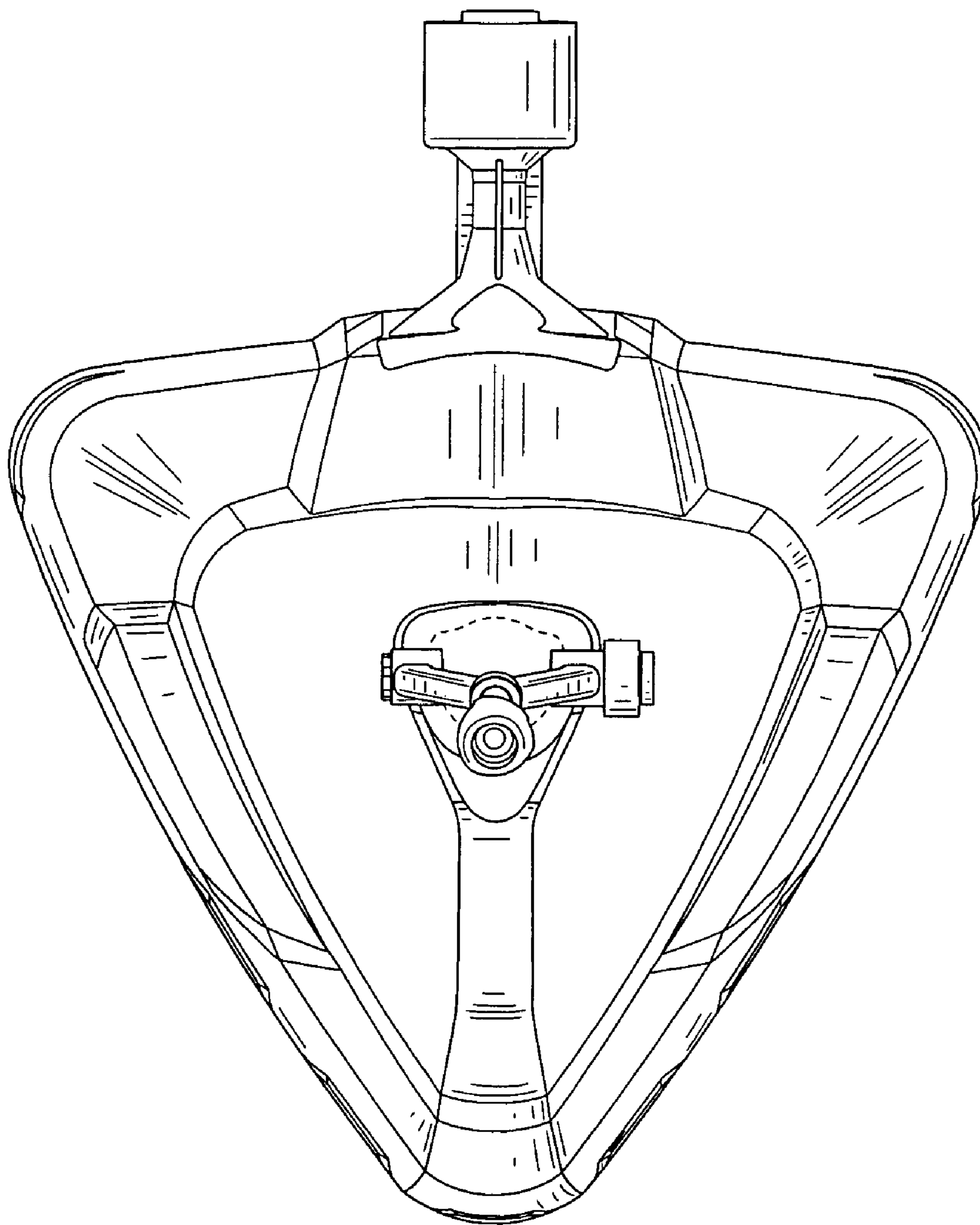


FIG. 7