



US00D647676S

(12) **United States Design Patent**
Liu

(10) **Patent No.:** **US D647,676 S**

(45) **Date of Patent:** **** Oct. 25, 2011**

(54) **BRUSH**

(76) Inventor: **Te-Hsin Liu**, Taipei (TW)

(**) Term: **14 Years**

(21) Appl. No.: **29/355,557**

(22) Filed: **Feb. 9, 2010**

(51) **LOC (9) Cl.** **08-99**

(52) **U.S. Cl.** **D32/35**

(58) **Field of Classification Search** D32/17,
D32/21, 25, 35, 38, 39, 40; 15/106, 246,
15/246.2, 249.1; D4/199, 100, 119, 121,
D4/136, 114, 115

See application file for complete search history.

(56) **References Cited**

U.S. PATENT DOCUMENTS

D306,527 S	*	3/1990	Kelly, III	D4/138
D463,669 S	*	10/2002	Chih	D4/115
D508,155 S	*	8/2005	Villahoz	D32/45
D513,128 S	*	12/2005	Hay	D4/132

D537,993 S	*	3/2007	Deleo	D32/25
D549,465 S	*	8/2007	Hay et al.	D4/199
D585,612 S	*	1/2009	Soller et al.	D32/50
D625,480 S	*	10/2010	Raven	D32/50
D628,350 S	*	11/2010	Rossano et al.	D32/35

* cited by examiner

Primary Examiner — T. Chase Nelson

Assistant Examiner — Ania Dworzecka

(57) **CLAIM**

The ornamental design for brush, as shown and described.

DESCRIPTION

FIG. 1 is a perspective view of brush showing my present design,

FIG. 2 is a front view thereof;

FIG. 3 is a rear view thereof;

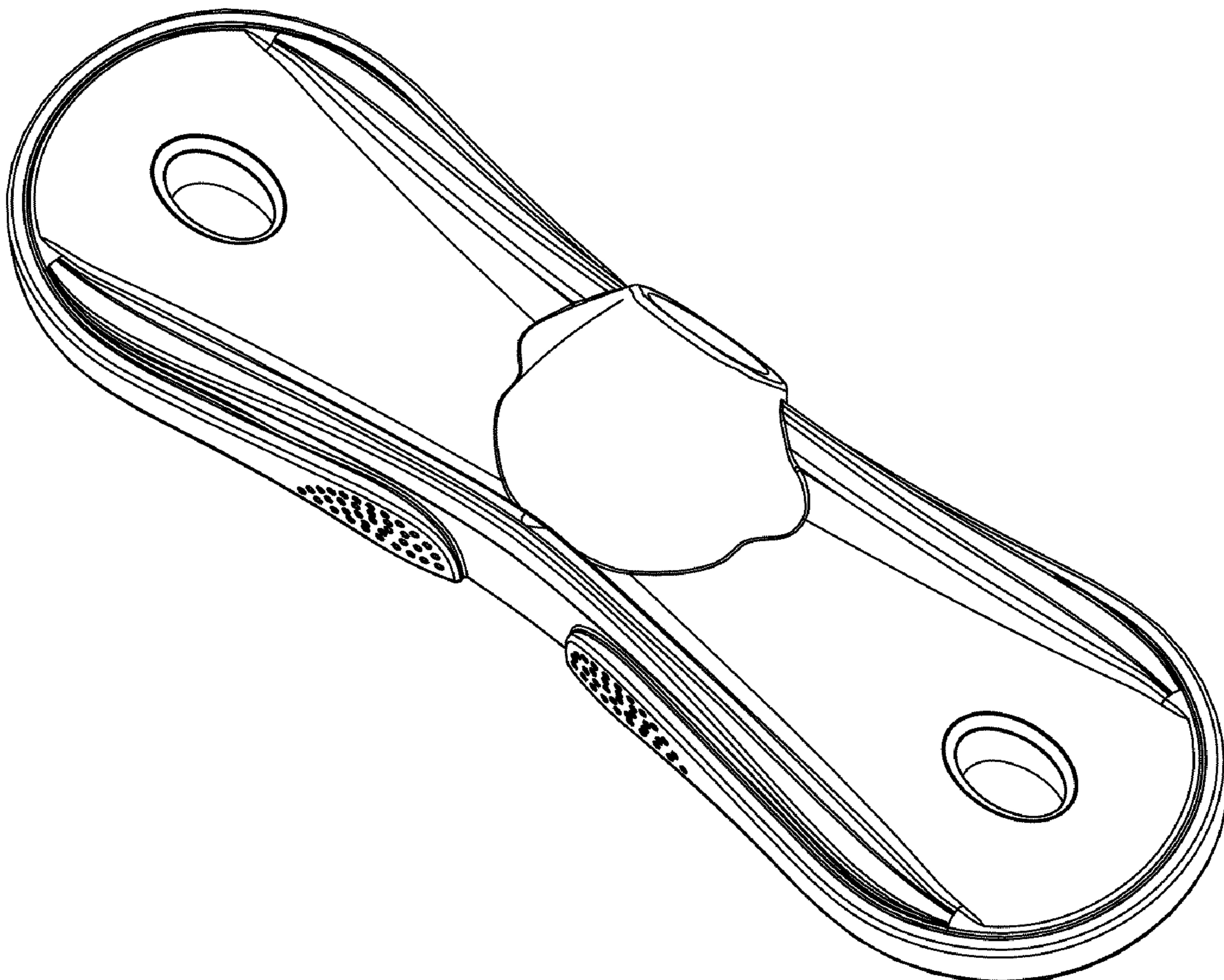
FIG. 4 is a left view thereof;

FIG. 5 is a right view thereof;

FIG. 6 is a top view thereof; and,

FIG. 7 is a bottom view.

1 Claim, 4 Drawing Sheets



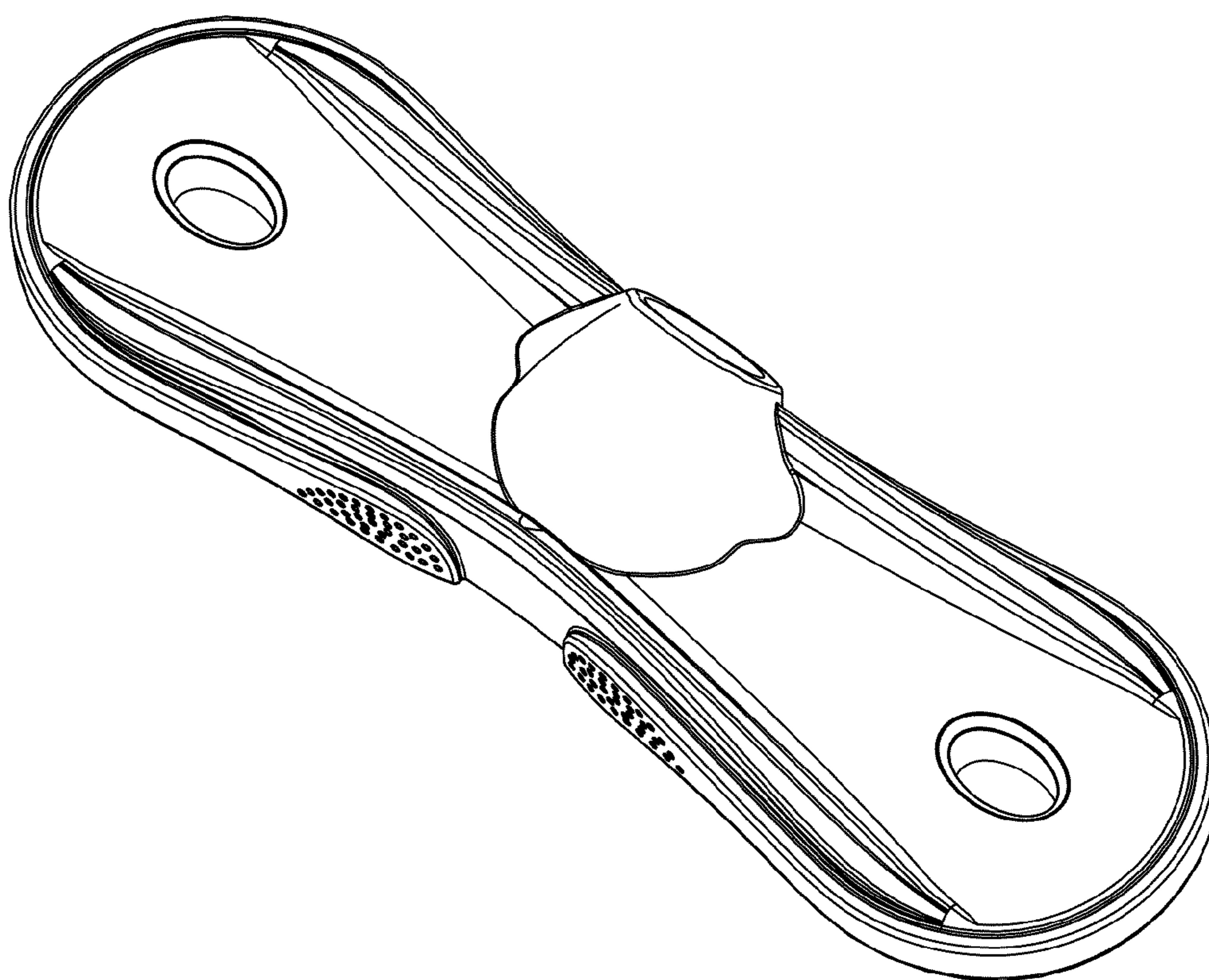


FIG. 1

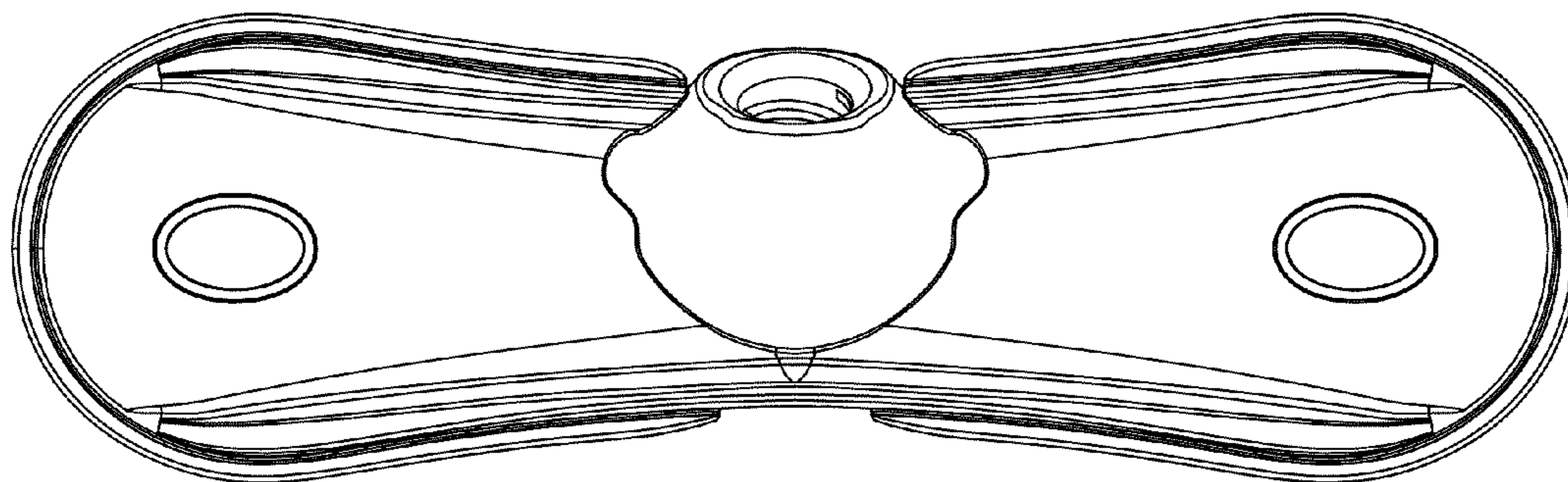


FIG. 2

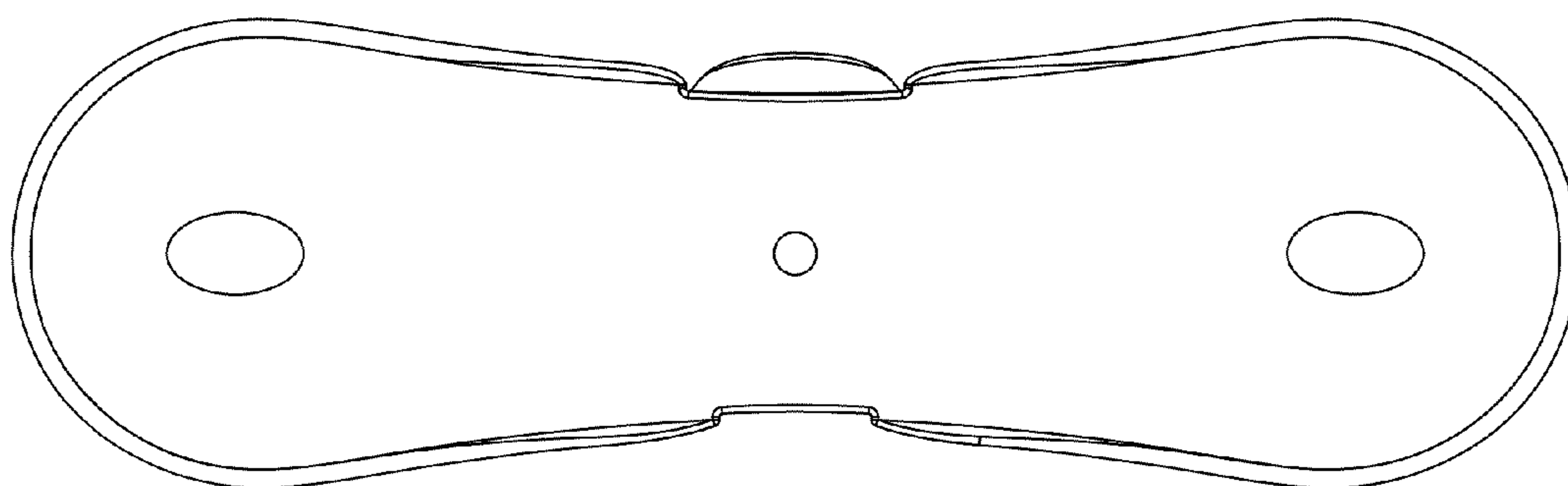


FIG. 3

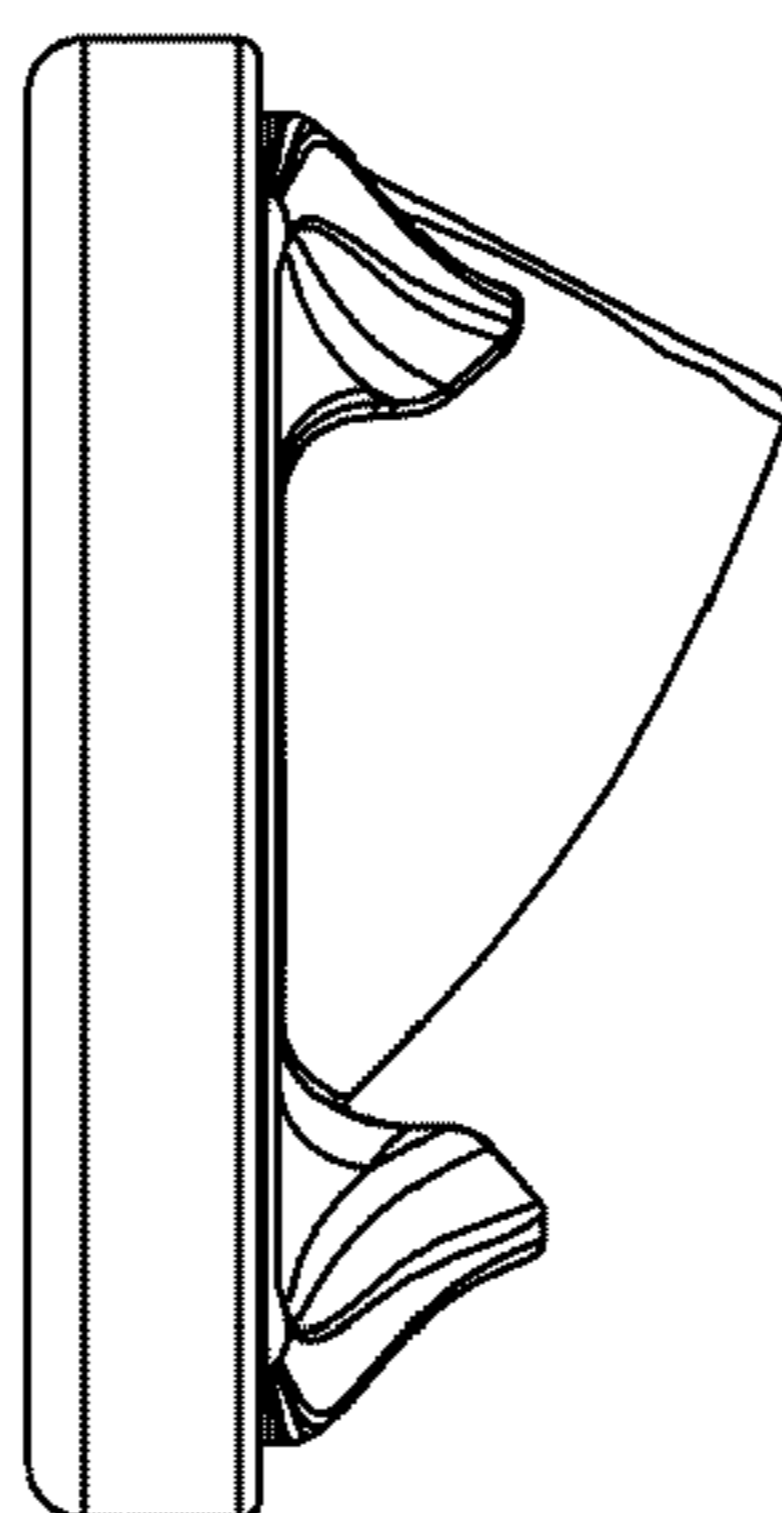


FIG. 4

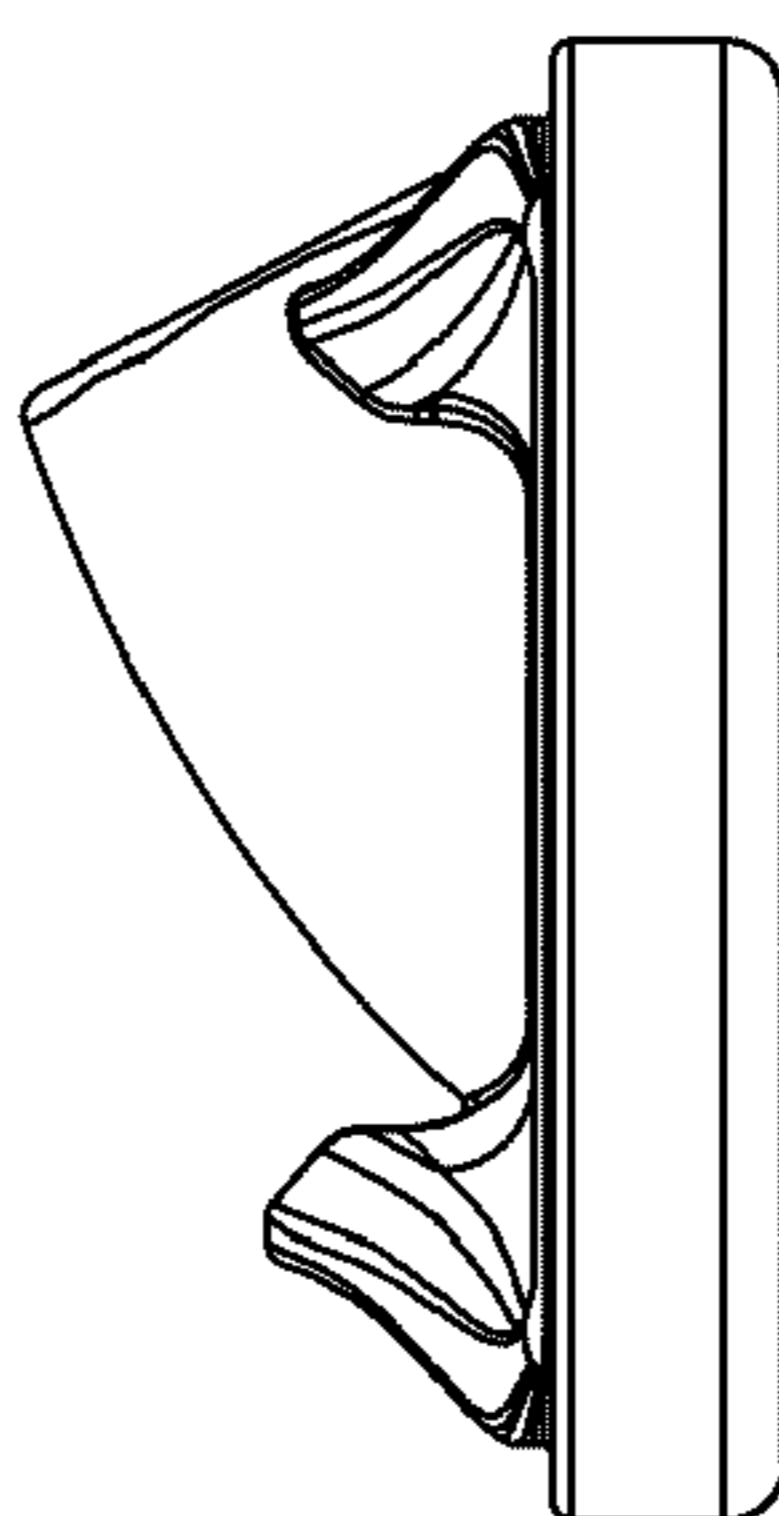


FIG. 5

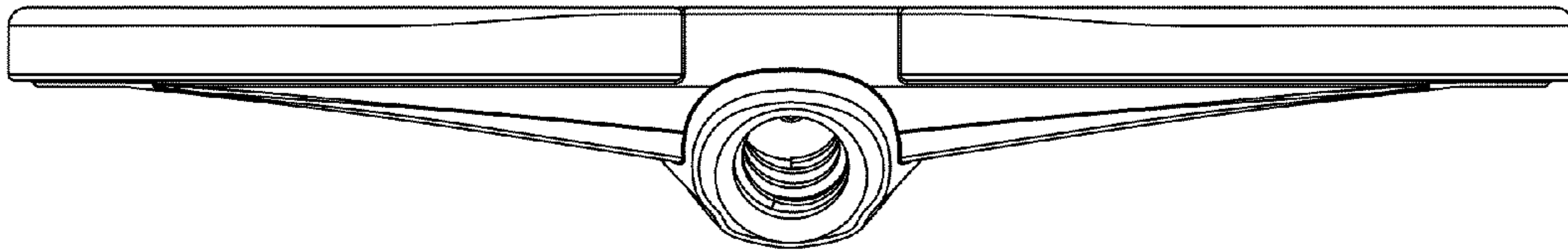


FIG. 6

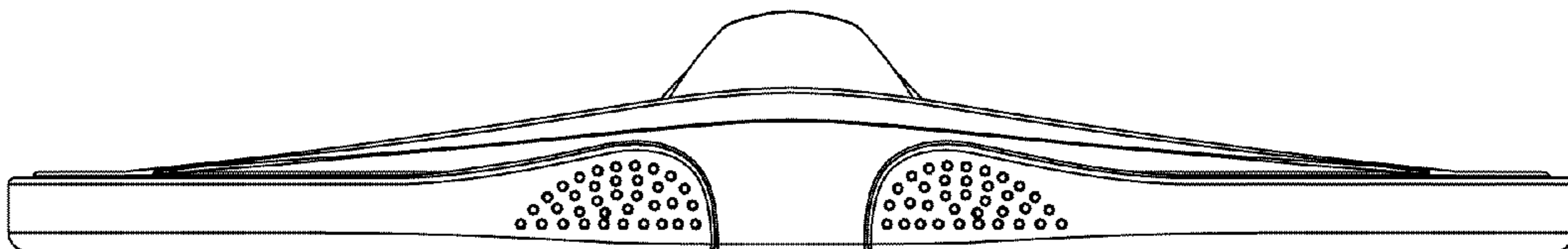


FIG. 7