



US00D647675S

(12) **United States Design Patent**
Lee

(10) **Patent No.:** **US D647,675 S**
(45) **Date of Patent:** **** Oct. 25, 2011**

- (54) **BRUSH FOR VACUUM CLEANER**
- (75) Inventor: **Young Seok Lee**, Seoul (KR)
- (73) Assignee: **Samsung Electronics Co., Ltd.**,
Suwon-Si (KR)
- (**) Term: **14 Years**
- (21) Appl. No.: **29/355,922**
- (22) Filed: **Feb. 17, 2010**
- (51) **LOC (9) Cl.** **15-05**
- (52) **U.S. Cl.** **D32/32**
- (58) **Field of Classification Search** D32/50,
D32/17, 31-33, 22, 51, 38-40, 45, 25, 49;
15/182, 179, 168, 228, 319, 403, 209.1, 52,
15/1, 246.3, 320-322, 415.1-422.1, 414,
15/412, 354, 362, 366, 374, 400, 327.1, 329,
15/41.1, 42, 48, 171, 176.1, 159.1, 339, 208,
15/372, 385, 115, 106; 401/138-139; 68/222;
134/198, 105
See application file for complete search history.

D487,827 S *	3/2004	Iike et al.	D32/32
D487,828 S *	3/2004	Iike et al.	D32/32
D507,854 S *	7/2005	Kim	D32/32
D518,932 S *	4/2006	Maruyama et al.	D32/32
D541,499 S *	4/2007	Proud et al.	D32/32
D543,669 S *	5/2007	Ikeno et al.	D32/32
D564,720 S *	3/2008	Dyson et al.	D32/32
D599,515 S *	9/2009	Davies et al.	D32/32
7,631,394 B2 *	12/2009	Oh et al.	15/354
2007/0067949 A1 *	3/2007	Lee et al.	15/421
2009/0064446 A1 *	3/2009	Oh et al.	15/319

* cited by examiner

Primary Examiner — Ruth McInroy
(74) *Attorney, Agent, or Firm* — Ladas & Parry LLP

(57) **CLAIM**
I claim the ornamental design for a brush for vacuum cleaner, as shown and described.

DESCRIPTION

FIG. 1 is a front/right-side/top perspective view of a brush for vacuum cleaner showing our new design; FIG. 2 is a front-side elevational view thereof; FIG. 3 is a rear-side elevational view thereof; FIG. 4 is a left-side elevational view thereof; FIG. 5 is a right-side elevational view thereof; FIG. 6 is a top-side elevational view thereof; and, FIG. 7 is a bottom-side elevational view thereof. Features shown in broken lines show environmental structure and form no part of the claimed design.

1 Claim, 5 Drawing Sheets

- (56) **References Cited**
- U.S. PATENT DOCUMENTS
- 5,564,161 A * 10/1996 Glatz 15/415.1
- 6,571,421 B1 * 6/2003 Sham et al. 15/320
- D477,446 S * 7/2003 Kalman et al. D32/32

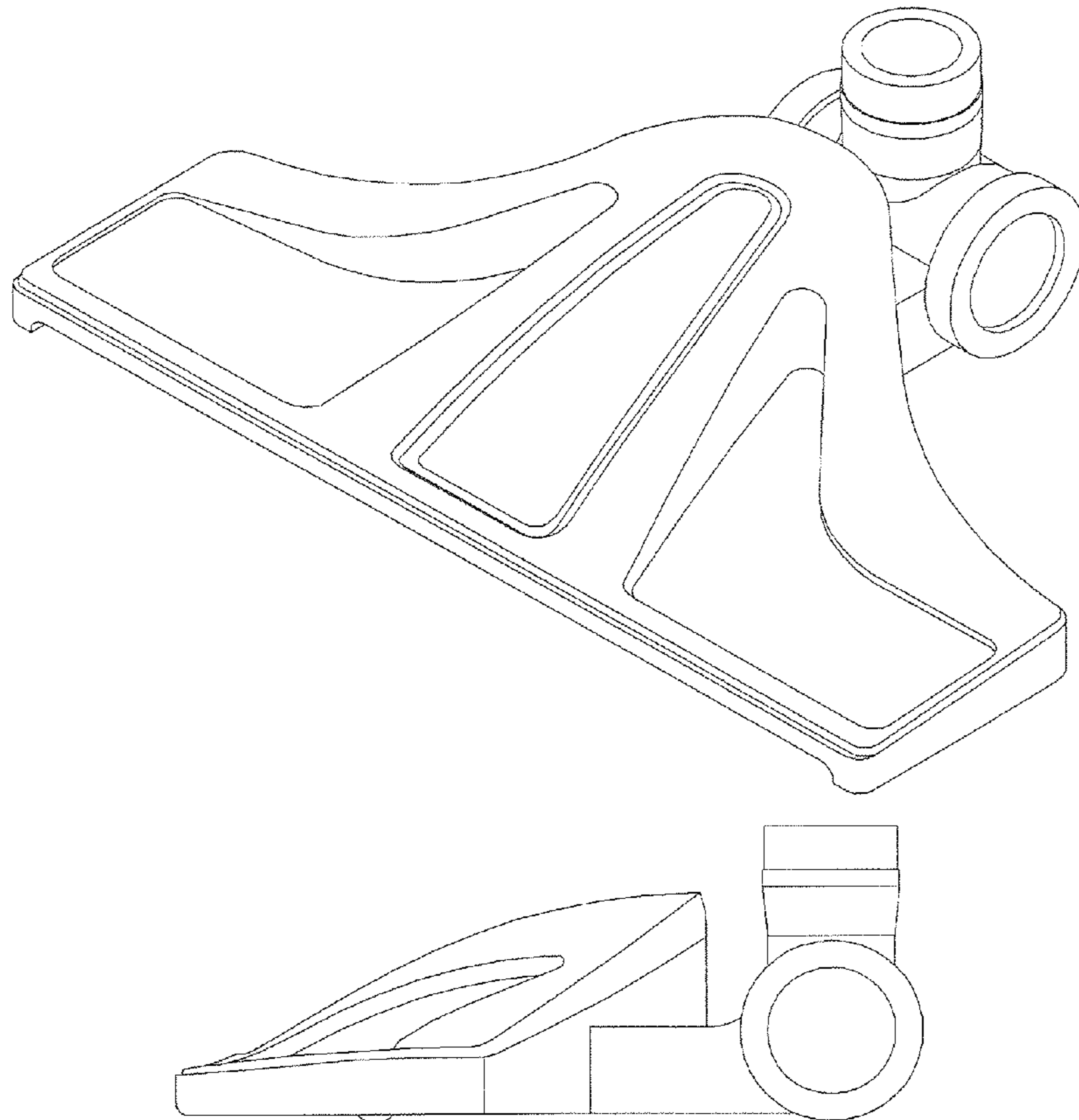


FIG. 1

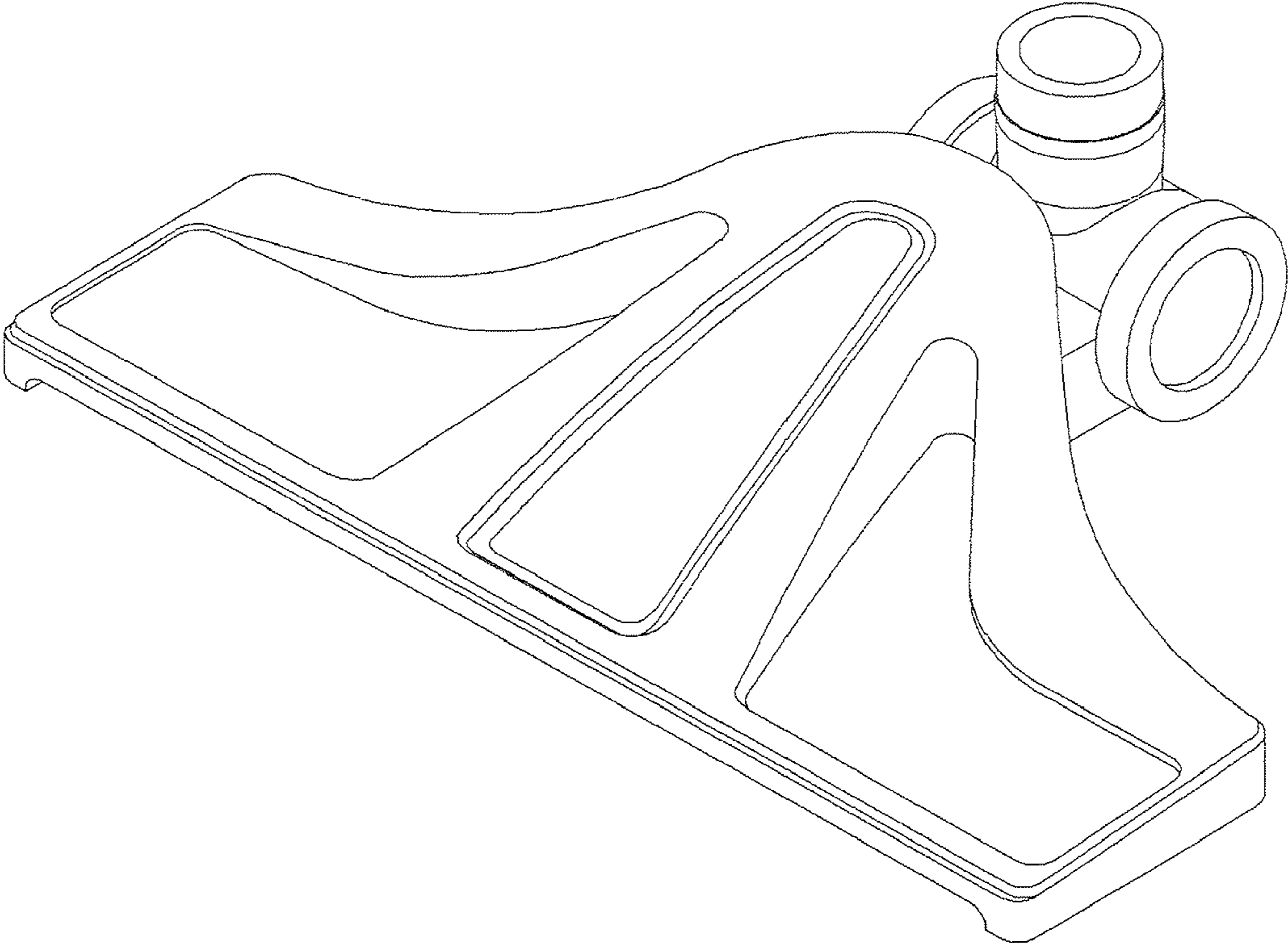


FIG. 2

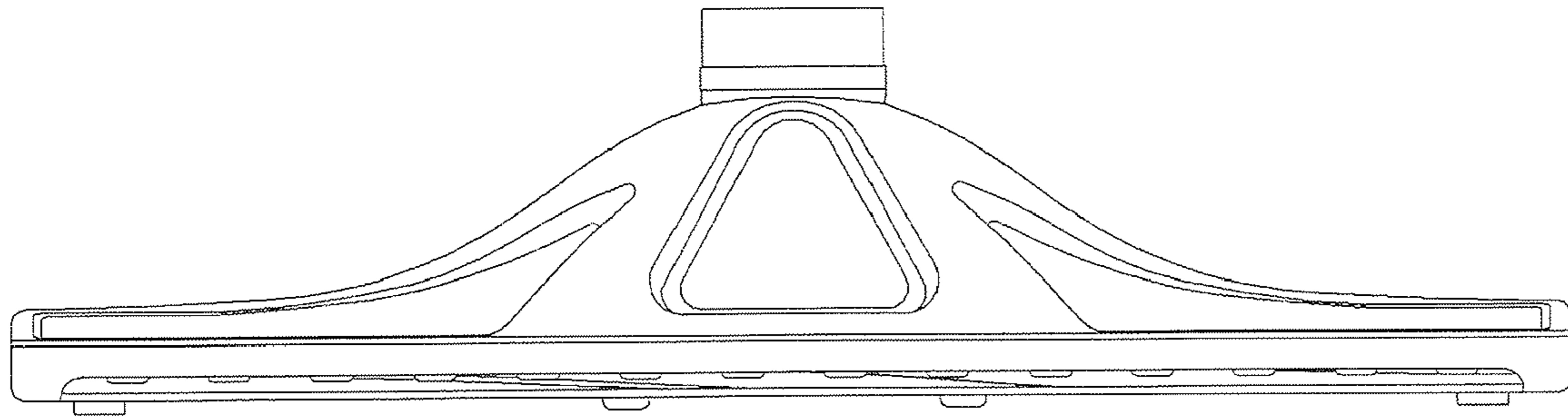


FIG. 3

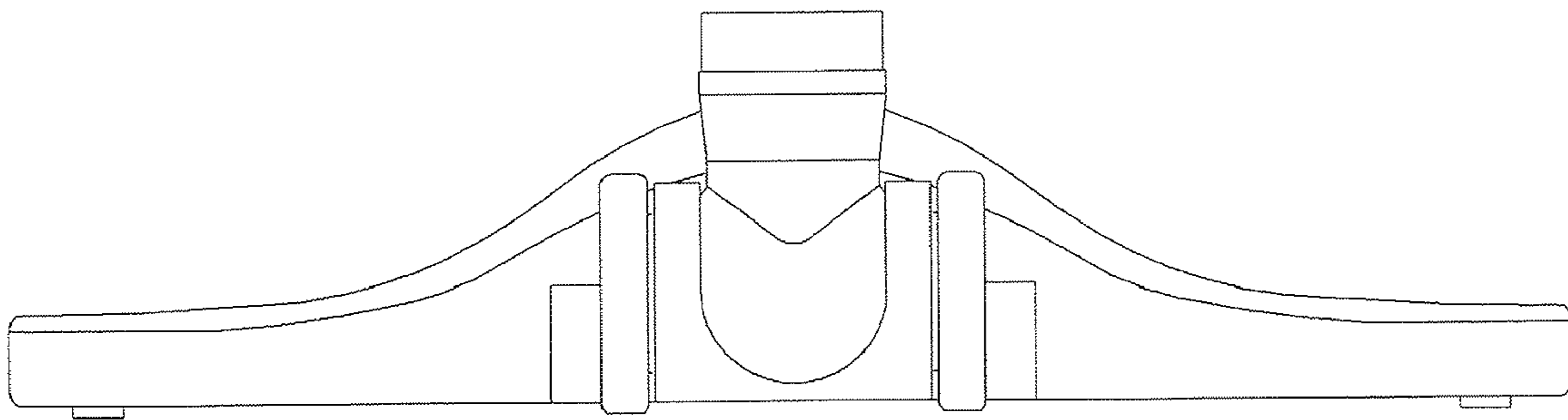


FIG. 4

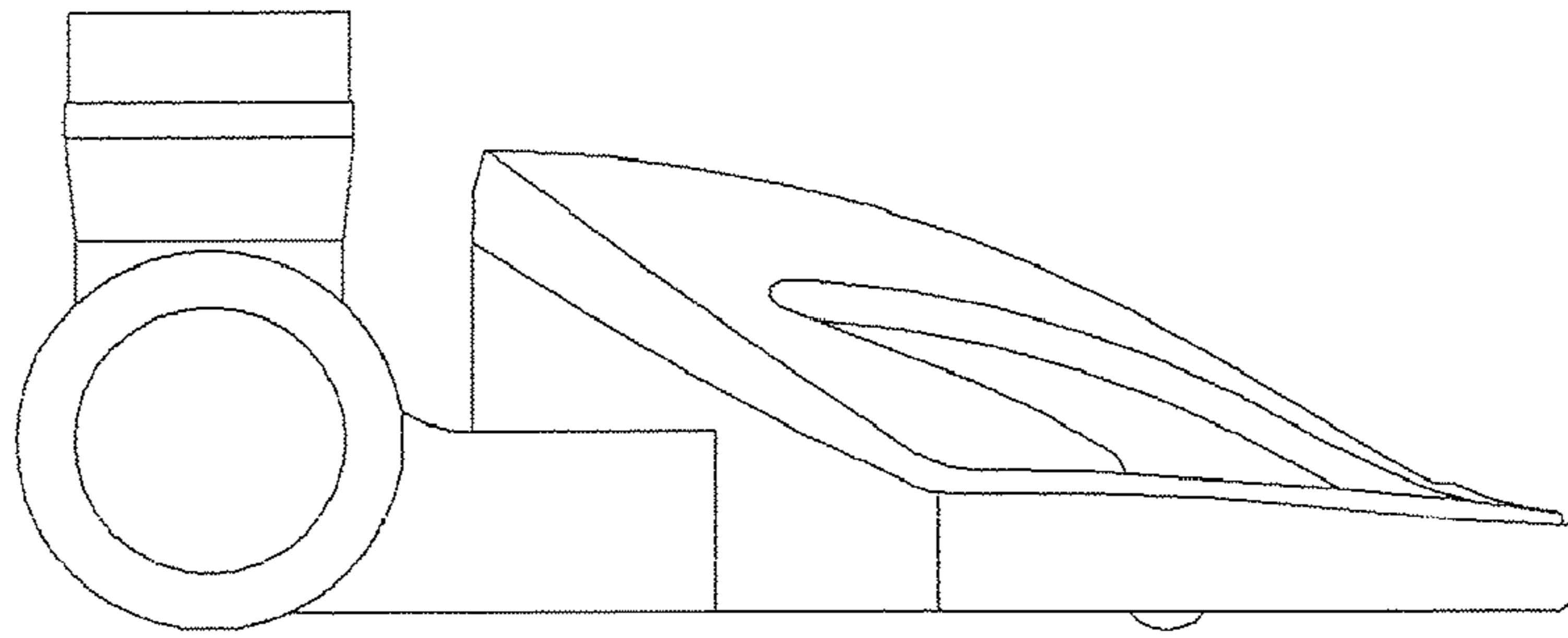


FIG. 5

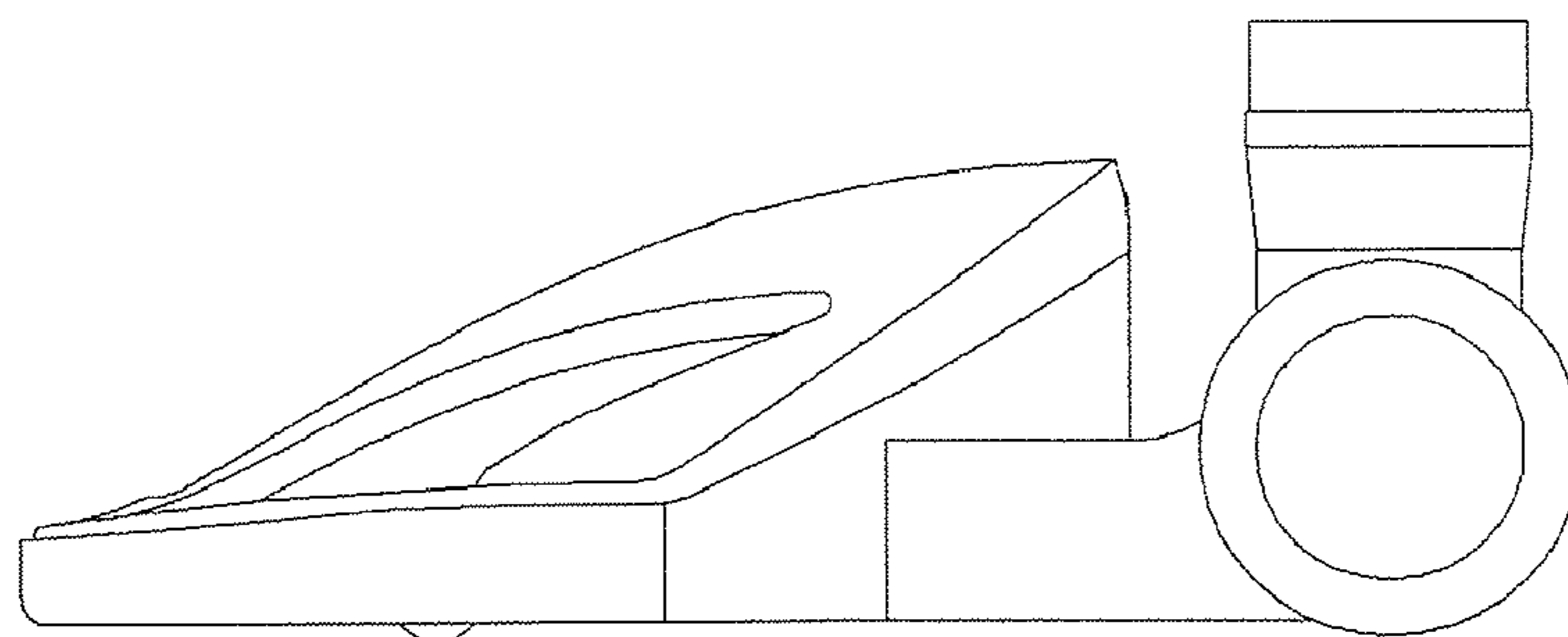


FIG. 6

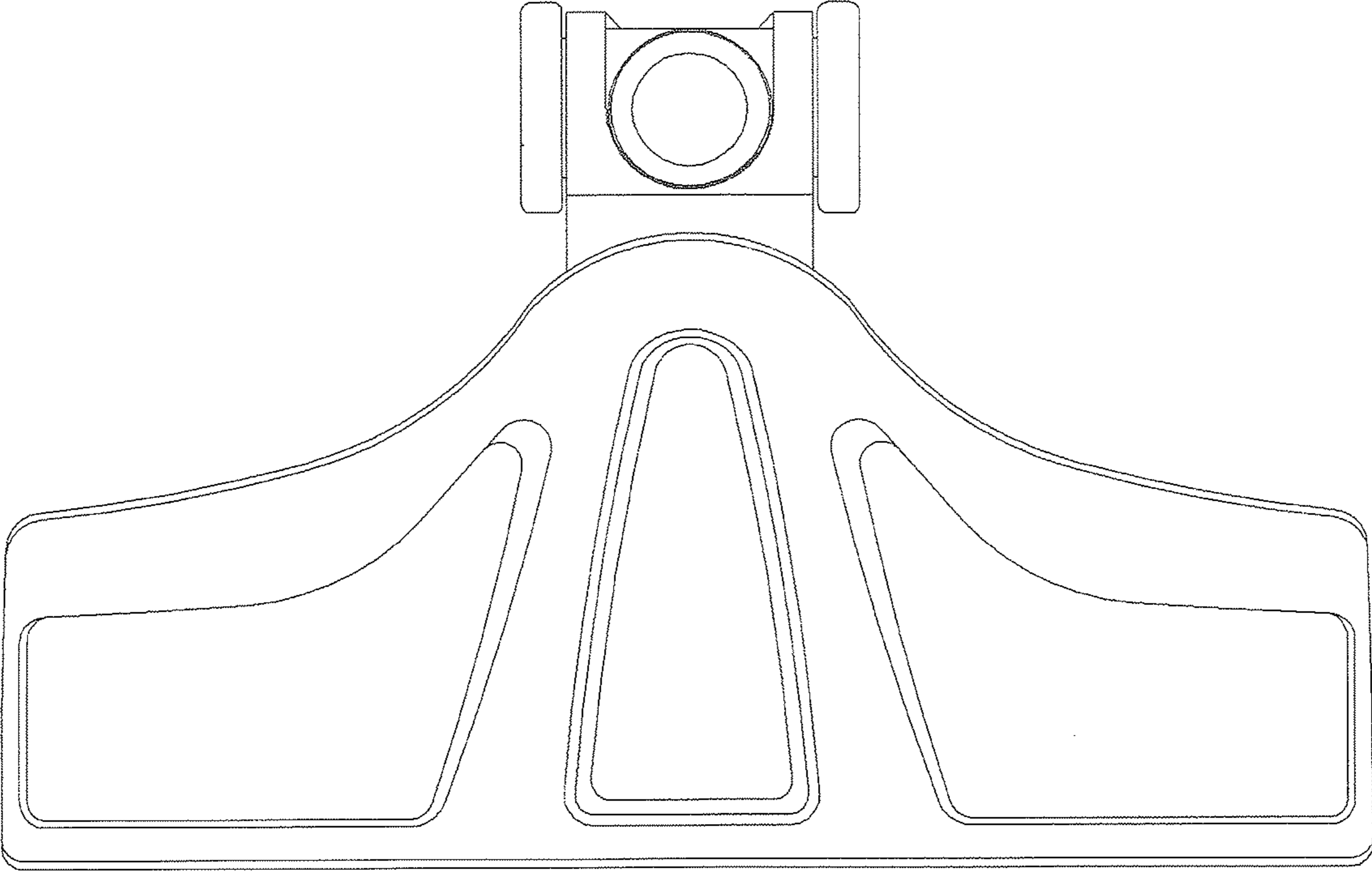


FIG. 7

