



US00D647671S

(12) **United States Design Patent**
Stein

(10) **Patent No.:** **US D647,671 S**

(45) **Date of Patent:** **** Oct. 25, 2011**

(54) **PLUNGER**

(75) Inventor: **Harvey Lewis Stein**, Annapolis, MD (US)

(73) Assignee: **HLS Holdings International, LLC**, Annapolis, MD (US)

(**) Term: **14 Years**

(21) Appl. No.: **29/368,185**

(22) Filed: **Aug. 19, 2010**

(51) **LOC (9) Cl.** **15-05**

(52) **U.S. Cl.** **D32/14**

(58) **Field of Classification Search** D32/14,
D32/35; D8/14; 4/255.11, 255.05
See application file for complete search history.

(56) **References Cited**

U.S. PATENT DOCUMENTS

1,402,144	A *	1/1922	Burke et al.	451/117
1,673,447	A *	6/1928	Fiedler	4/255.11
D364,251	S *	11/1995	Novak	D32/35
5,524,296	A *	6/1996	Leighton	4/255.05
D406,930	S *	3/1999	Epps	D32/35
6,434,760	B1 *	8/2002	Montalvo	4/255.05
D508,151	S *	8/2005	Hay	D32/14
7,089,605	B2 *	8/2006	Jiang	4/255.11

7,120,943	B2 *	10/2006	Allenbaugh et al.	4/255.11
7,299,519	B1 *	11/2007	Garry	15/104.05
7,752,684	B1 *	7/2010	Pieretti	4/255.11
2010/0077541	A1 *	4/2010	Stein	4/255.11
2010/0170030	A1 *	7/2010	Haji-Karami- Mahabadi	4/255.11
2010/0313345	A1 *	12/2010	Stein	4/255.11

* cited by examiner

Primary Examiner — T. Chase Nelson

Assistant Examiner — Ania Dworzecka

(74) *Attorney, Agent, or Firm* — John D. Gugliotta, Esq.

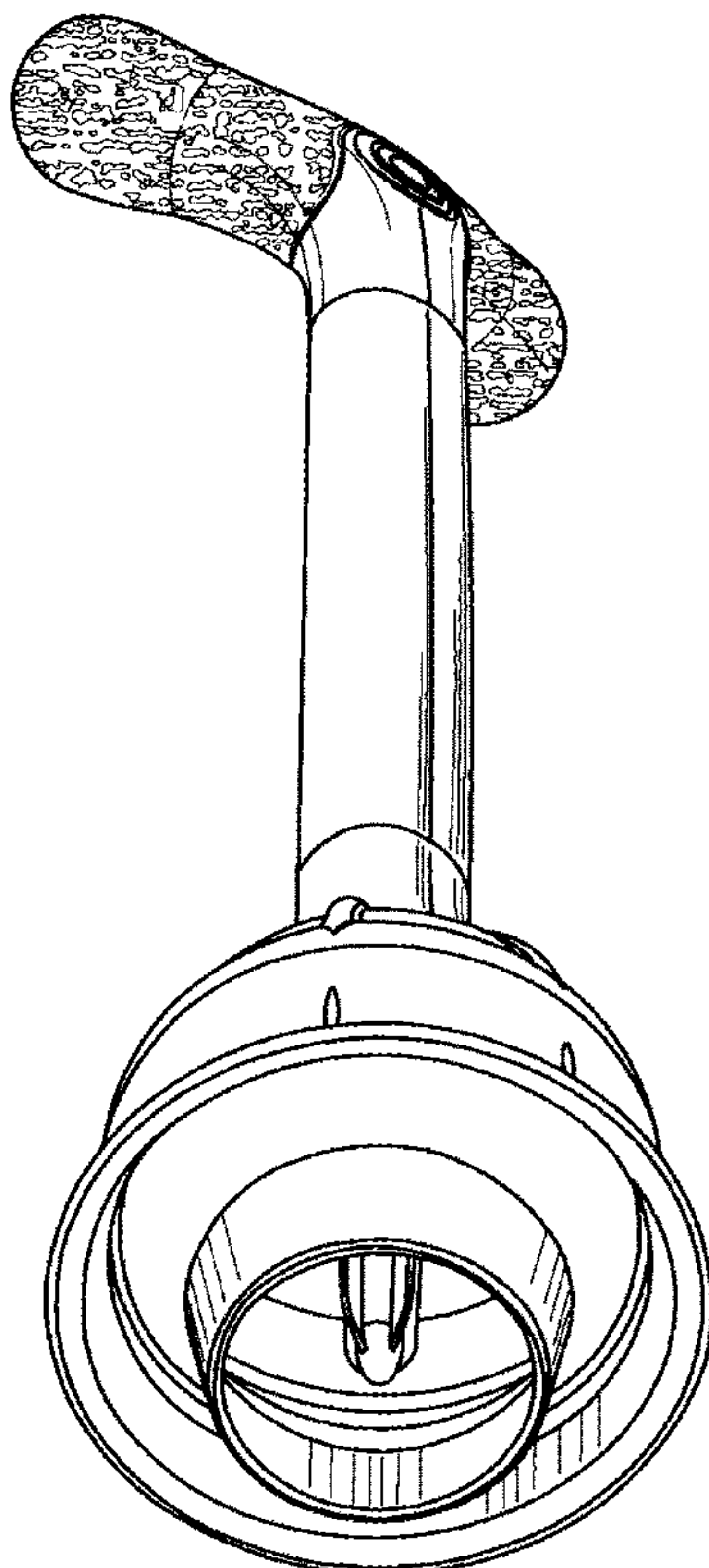
(57) **CLAIM**

The ornamental design for a plunger, as shown and described.

DESCRIPTION

FIG. 1 is a lower perspective view of a plunger showing my new design;
 FIG. 2 is an exploded perspective view thereof;
 FIG. 3 is a front elevational view thereof;
 FIG. 4 is a rear elevational view thereof;
 FIG. 5 is a right side elevational view thereof;
 FIG. 6 is a left side elevational view thereof;
 FIG. 7 is a bottom plan view thereof; and,
 FIG. 8 is a top plan view thereof.
 The recessed portions of the hand and the inside of the plunger head as represented by the dashed lines of FIG. 4 and FIG. 7 form no part of the claimed design.

1 Claim, 5 Drawing Sheets



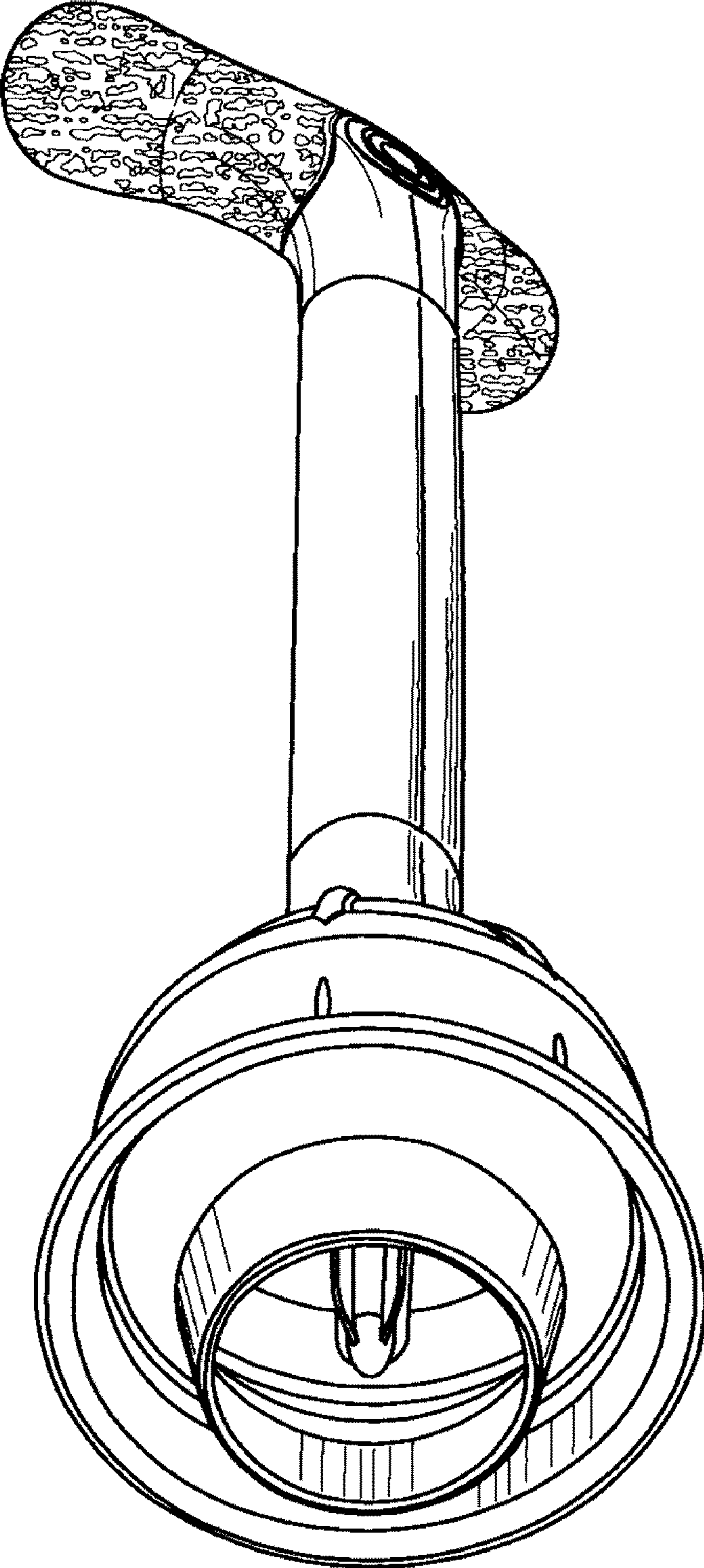


Figure 1

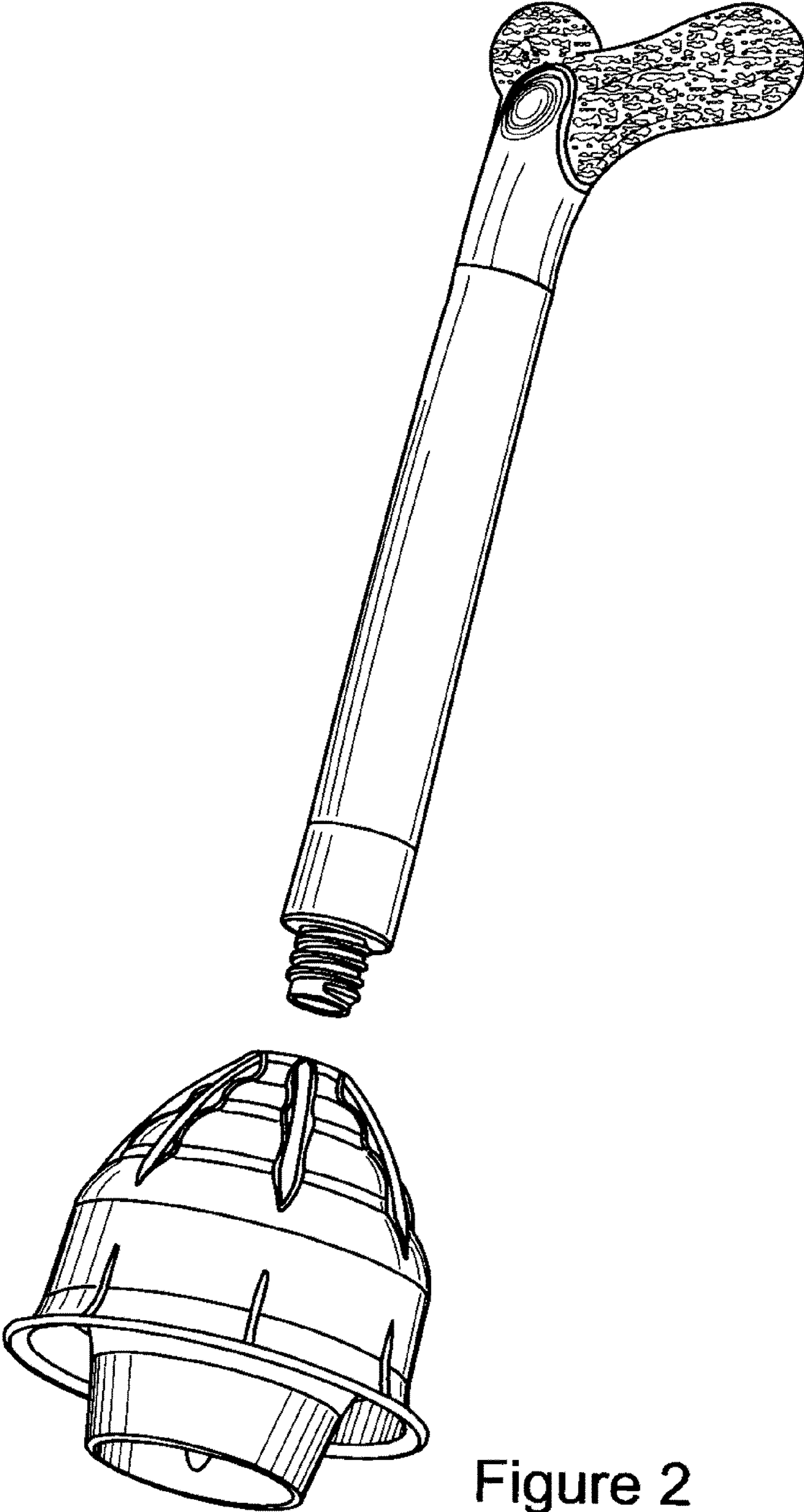


Figure 2

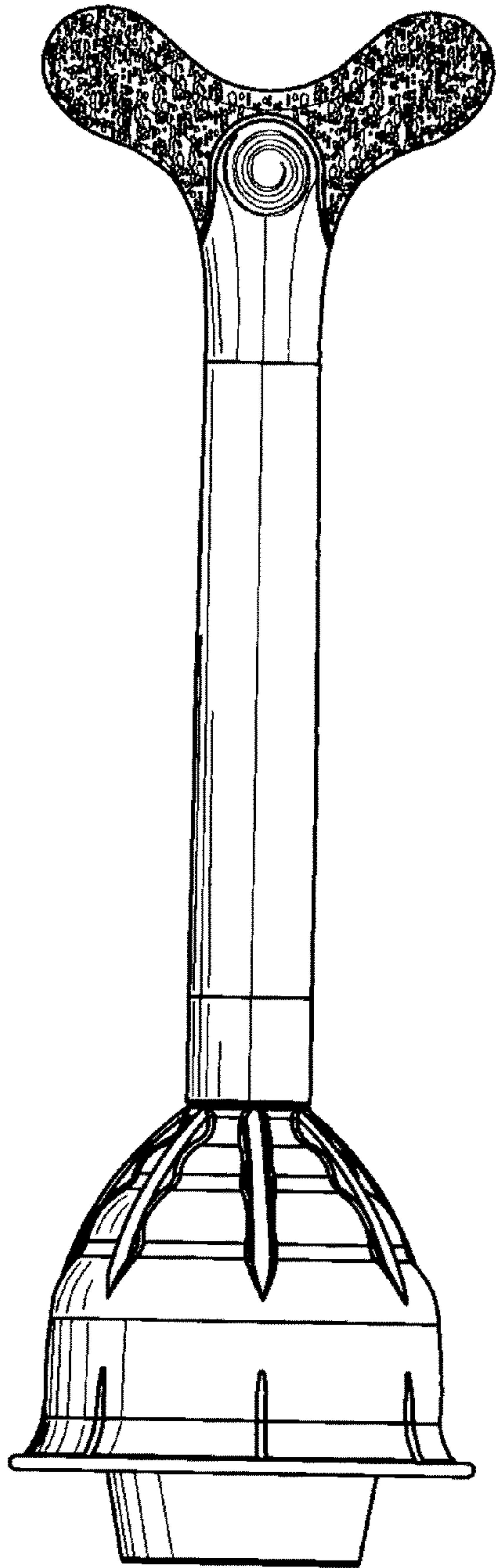


Figure 3

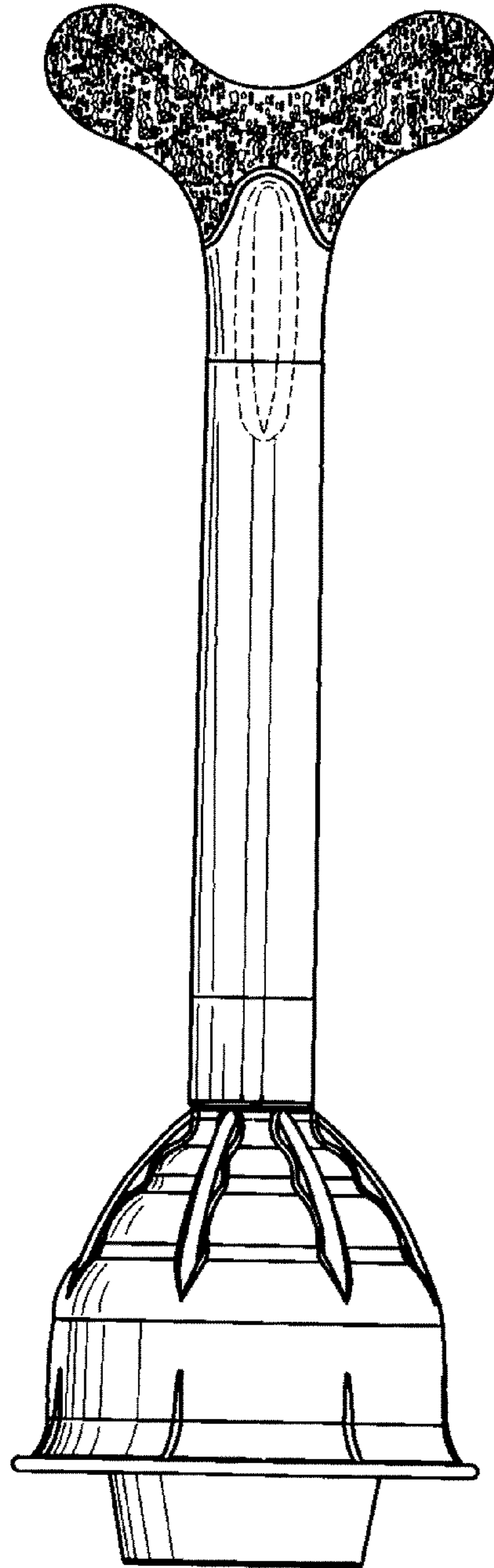


Figure 4

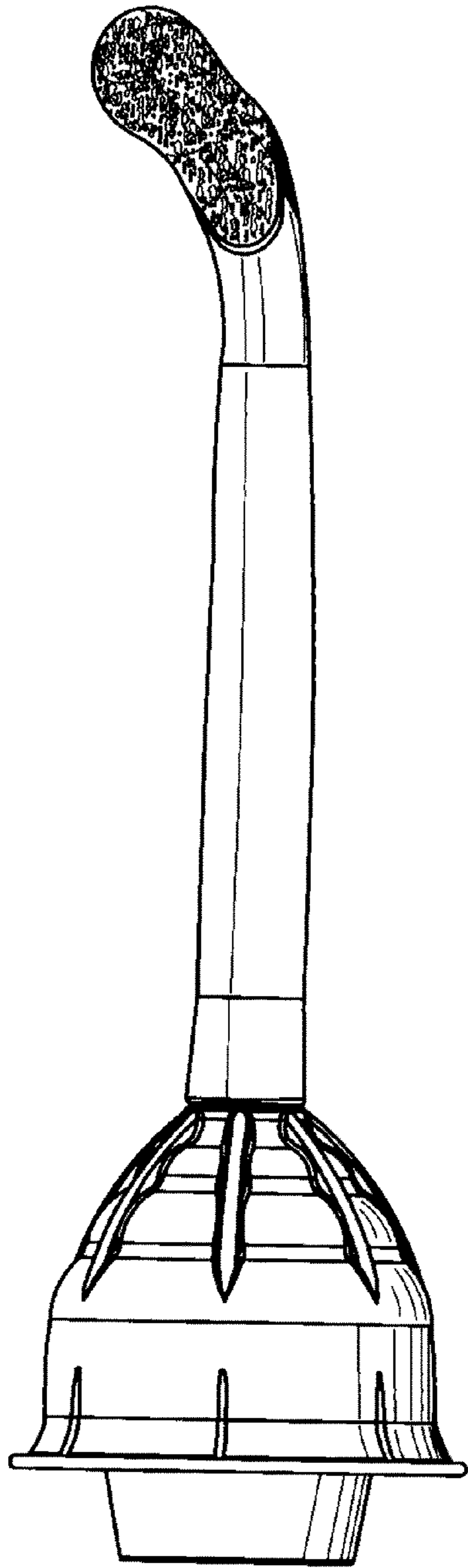


Figure 5

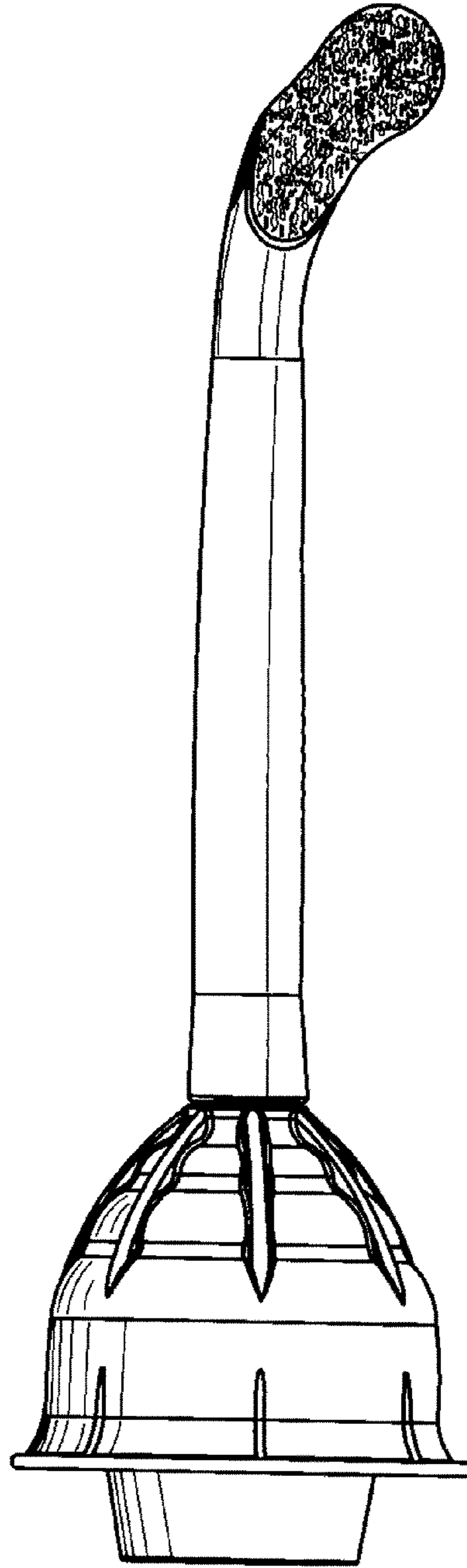


Figure 6

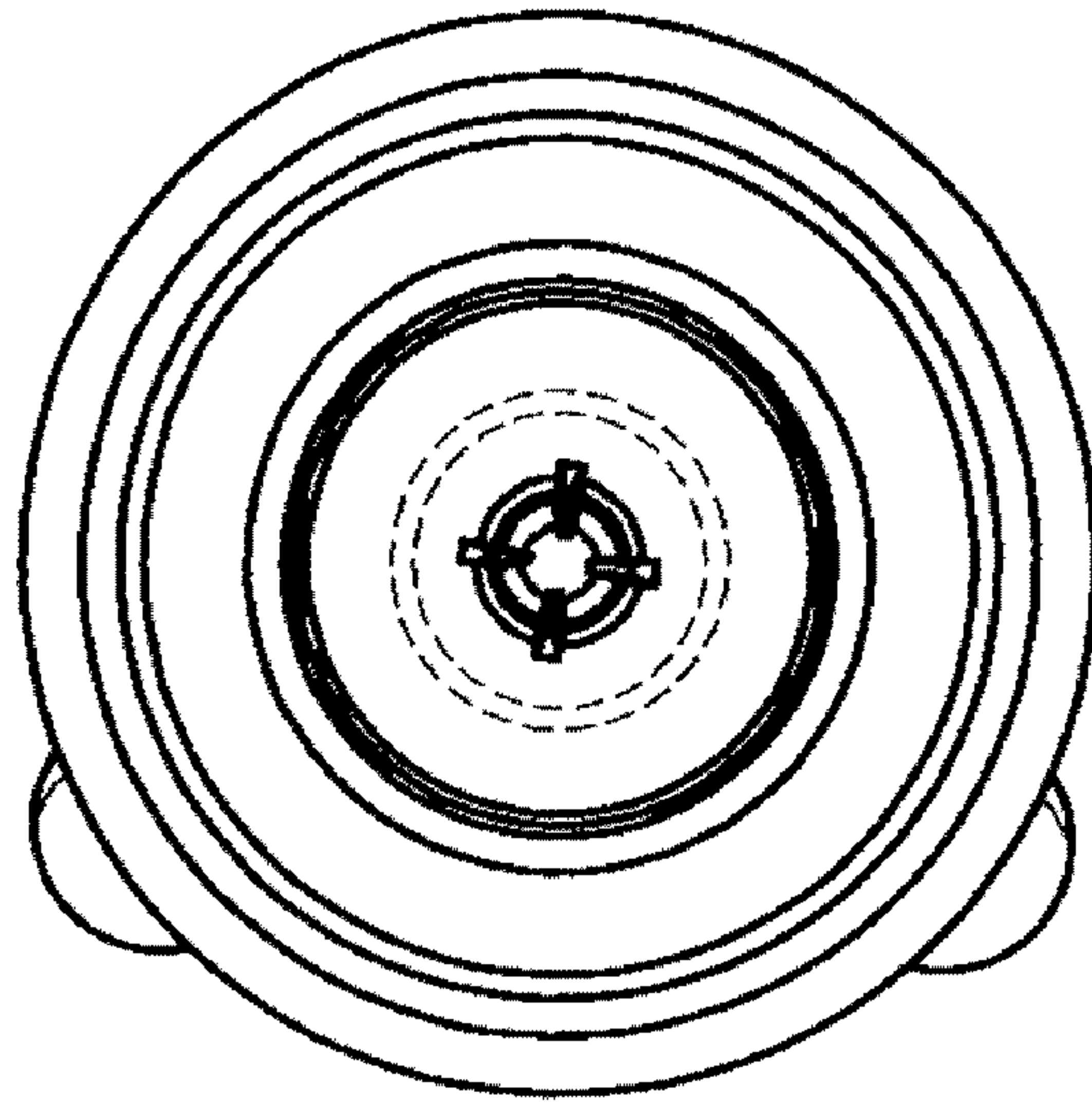


Figure 7

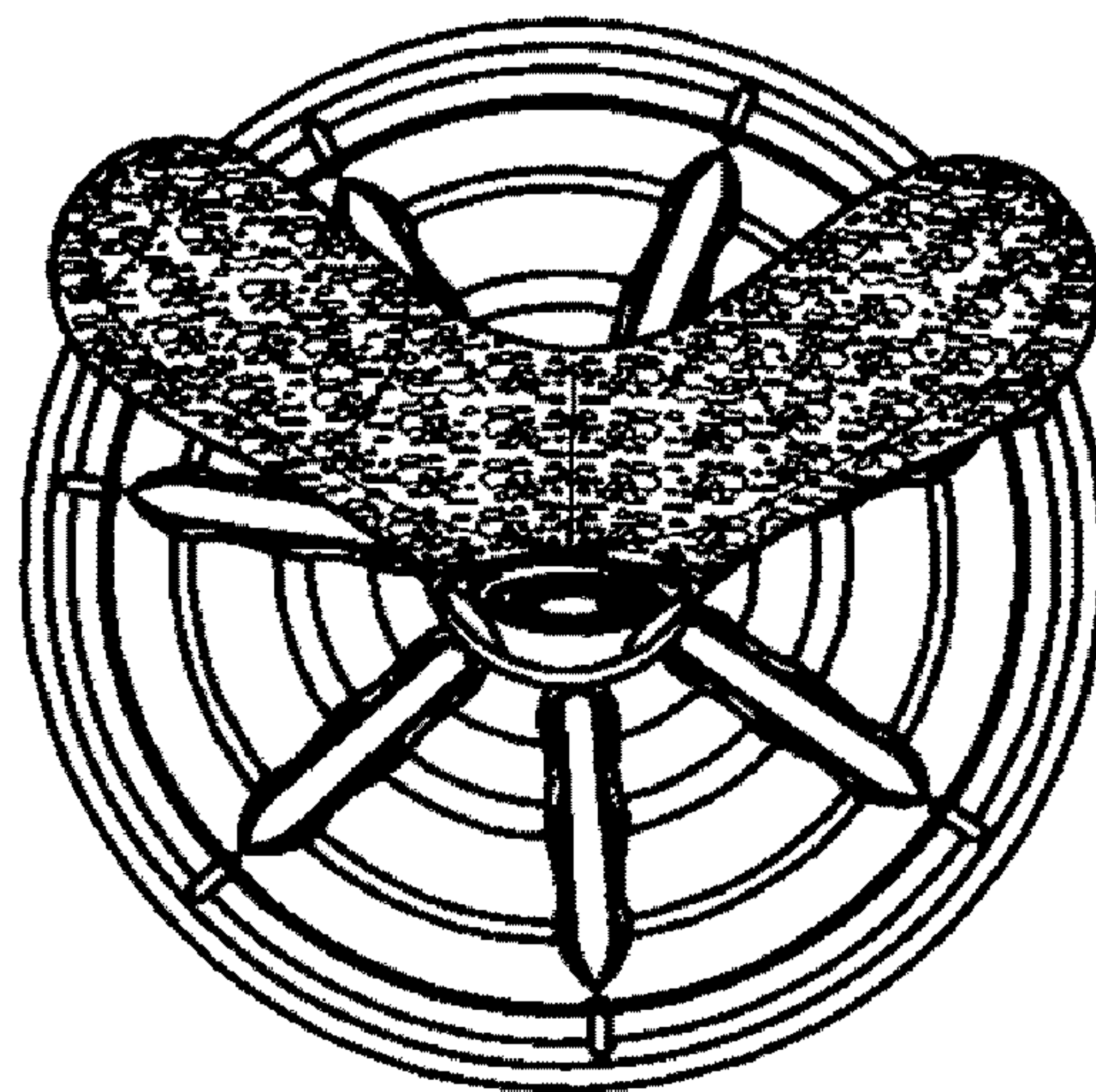


Figure 8