



US00D647668S

(12) **United States Design Patent**
Siklosi

(10) **Patent No.:** **US D647,668 S**

(45) **Date of Patent:** **** Oct. 25, 2011**

(54) **ELEVATED PET FEEDER WITH ROUND BOTTOM BOWLS**

(75) Inventor: **Tibor Siklosi**, Grove, OK (US)

(73) Assignee: **Bergan, LLC**, Monkey Island, OK (US)

(**) Term: **14 Years**

(21) Appl. No.: **29/385,733**

(22) Filed: **Feb. 18, 2011**

(51) **LOC (9) Cl.** **30-03**

(52) **U.S. Cl.** **D30/133; D30/130; D30/131**

(58) **Field of Classification Search** D30/133,
D30/121, 128, 130, 132; 119/52.1, 55, 61.5-61.56;
D6/480-485; 248/188; 312/204; 108/153.1-157
See application file for complete search history.

(56) **References Cited**

U.S. PATENT DOCUMENTS

D89,262 S	5/1932	Sinclair	
D105,450 S *	7/1937	Clifton	D30/130
2,584,301 A	11/1949	Melroy	
2,741,901 A *	4/1956	Silos	211/85.4
D180,720 S *	7/1957	Orvedahl	D6/406.6
D237,787 S *	11/1975	Weyrich	D34/24
D257,914 S *	1/1981	Wooters	D12/419
D289,807 S	5/1987	Russell	
D335,007 S	4/1993	McPhee	
D338,288 S	8/1993	Key	
D340,552 S	10/1993	Smith	
5,445,110 A *	8/1995	Birnie	119/61.5
5,467,738 A	11/1995	Cass	
D374,517 S *	10/1996	Morrill	D30/133
D375,818 S	11/1996	Fischer	
D375,819 S	11/1996	Benson	
D377,244 S	1/1997	Steininger	
5,850,797 A	12/1998	Hunicke	
D412,377 S *	7/1999	Sharon	D30/130
D414,303 S	9/1999	Sharon	

D424,252 S	5/2000	Hirsh	
D424,758 S	5/2000	Akopdjanov	
D424,759 S *	5/2000	Sipka	D30/130
D442,341 S	5/2001	Morgan	
D446,611 S	8/2001	Gunter	
D451,648 S	12/2001	Johnson	
D477,691 S	7/2003	Crowley	
D478,193 S	8/2003	Routh	
D486,274 S	2/2004	Tsengas	
D494,714 S	8/2004	Sellers	
6,786,177 B1	9/2004	Lemkin	

(Continued)

FOREIGN PATENT DOCUMENTS

GB 2381728 5/2003

Primary Examiner — Susan Moon Lee

(74) *Attorney, Agent, or Firm* — Head, Johnson & Kachigian, P.C.

(57) **CLAIM**

The ornamental design for an elevated pet feeder with round bottom bowls, as shown and described.

DESCRIPTION

FIG. 1 is a perspective view of the elevated pet feeder with round bottom bowls;

FIG. 2 is a front view of the elevated pet feeder with round bottom bowls of FIG. 1, where the back view is identical to the front view;

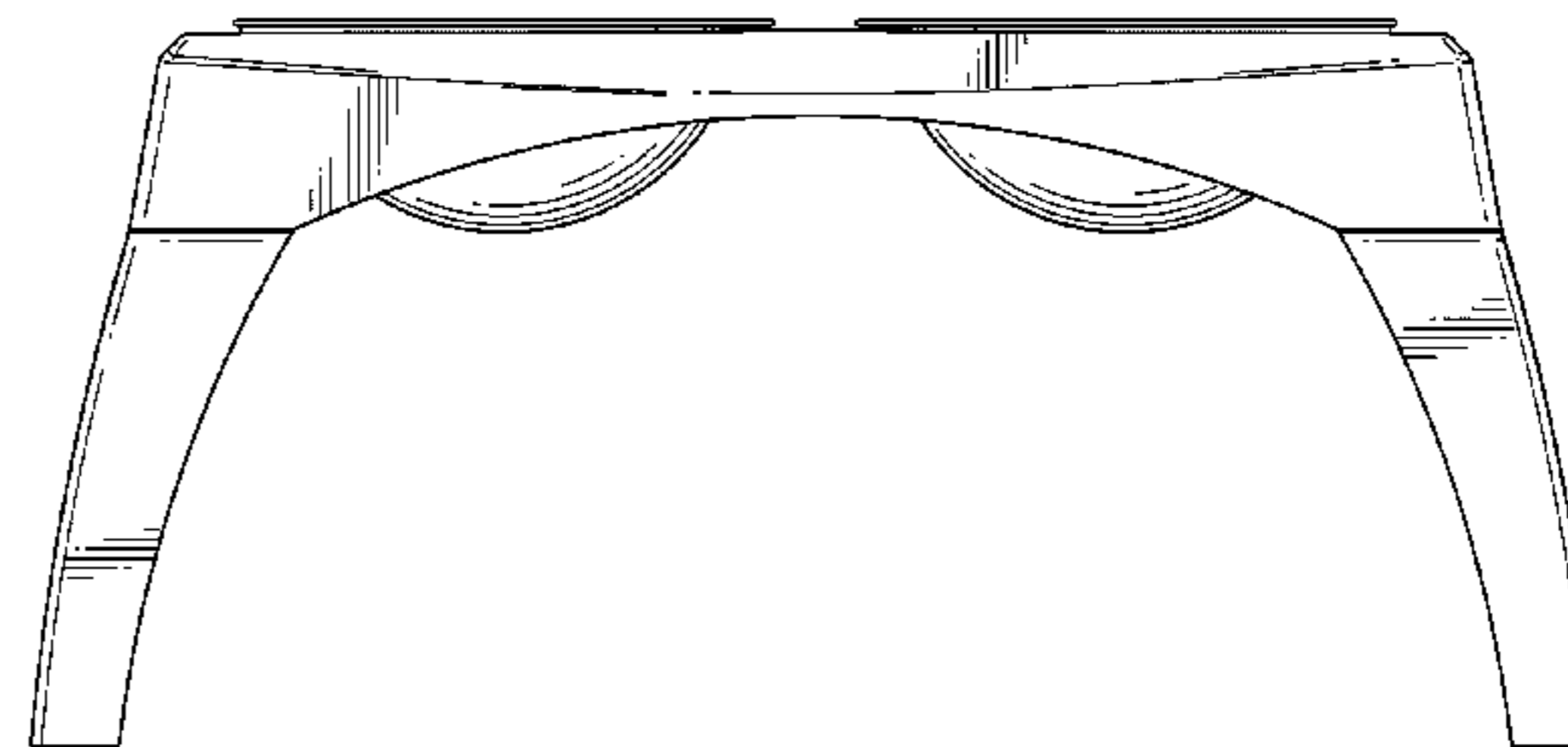
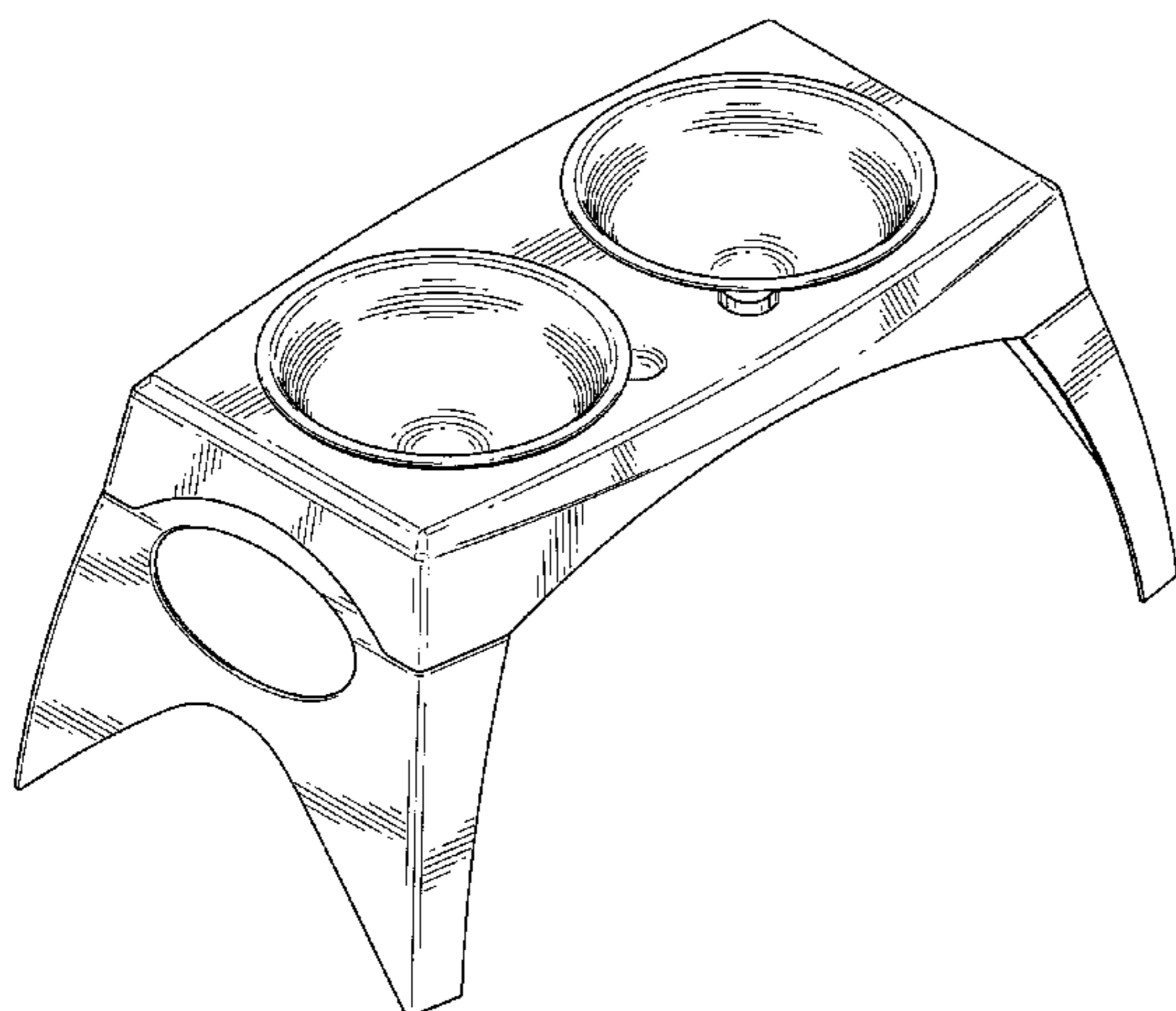
FIG. 3 is a top view of the elevated pet feeder with round bottom bowls of FIG. 1;

FIG. 4 is a cut away front view of the elevated pet feeder with round bottom bowls of FIG. 1;

FIG. 5 is a bottom view of the elevated pet feeder with round bottom bowls of FIG. 1; and,

FIG. 6 is a side view of the elevated pet feeder with round bottom bowls of FIG. 1, where both side views are identical.

1 Claim, 3 Drawing Sheets



US D647,668 S

Page 2

U.S. PATENT DOCUMENTS					
D505,523 S	5/2005	Rahman	D618,862 S *	6/2010	Shamoon et al. D30/133
D506,294 S	6/2005	Boje	2002/0195059 A1	12/2002	King
D521,690 S	5/2006	Krcek	2003/0106498 A1	6/2003	Mersits
D551,400 S	9/2007	Tsengas	2005/0115508 A1	6/2005	Little
7,318,391 B2	1/2008	Brillon	2006/0196436 A1	9/2006	Nichols
7,341,019 B1	3/2008	Tsengas	2007/0089678 A1	4/2007	Greenwood
D572,537 S *	7/2008	Bardolet D7/566	2008/0216754 A1	9/2008	Lorenzana
D577,466 S *	9/2008	Shamoon D30/133	2010/0107984 A1	5/2010	Uffner
D580,109 S	11/2008	Rutherford	2010/0162961 A1	7/2010	Hove
D592,814 S *	5/2009	Uffner et al. D30/133			

* cited by examiner

FIG. 1

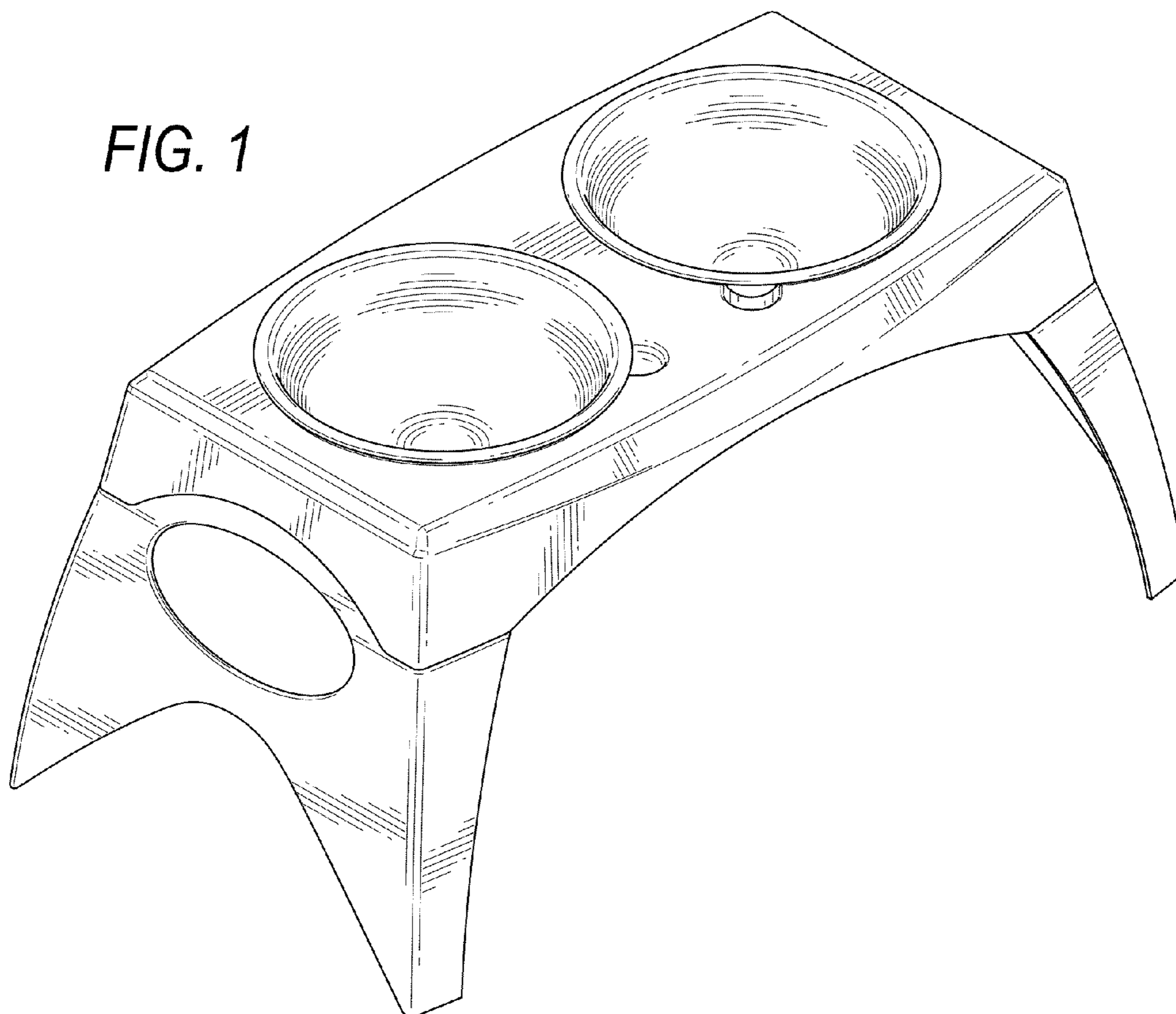
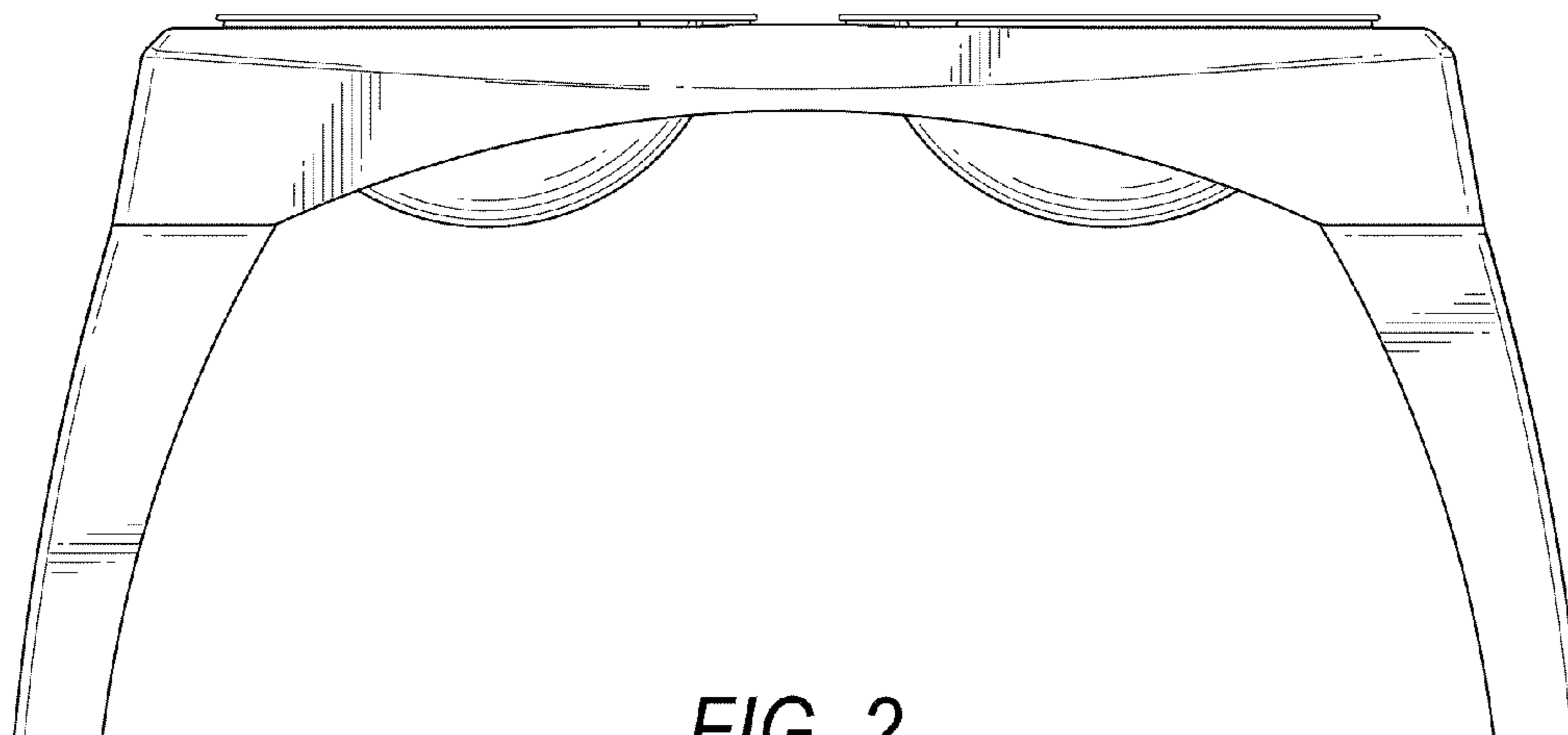


FIG. 2



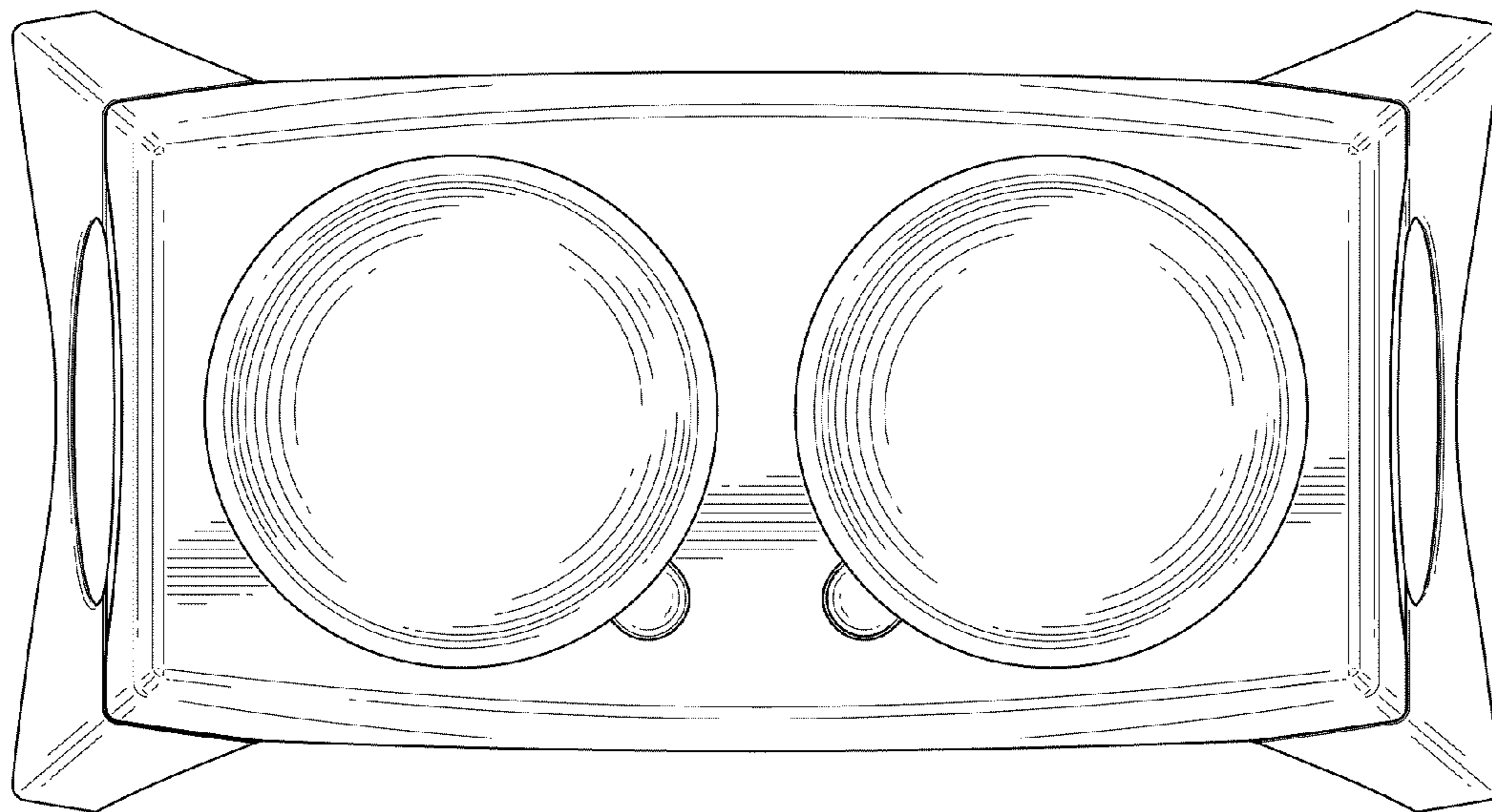


FIG. 3

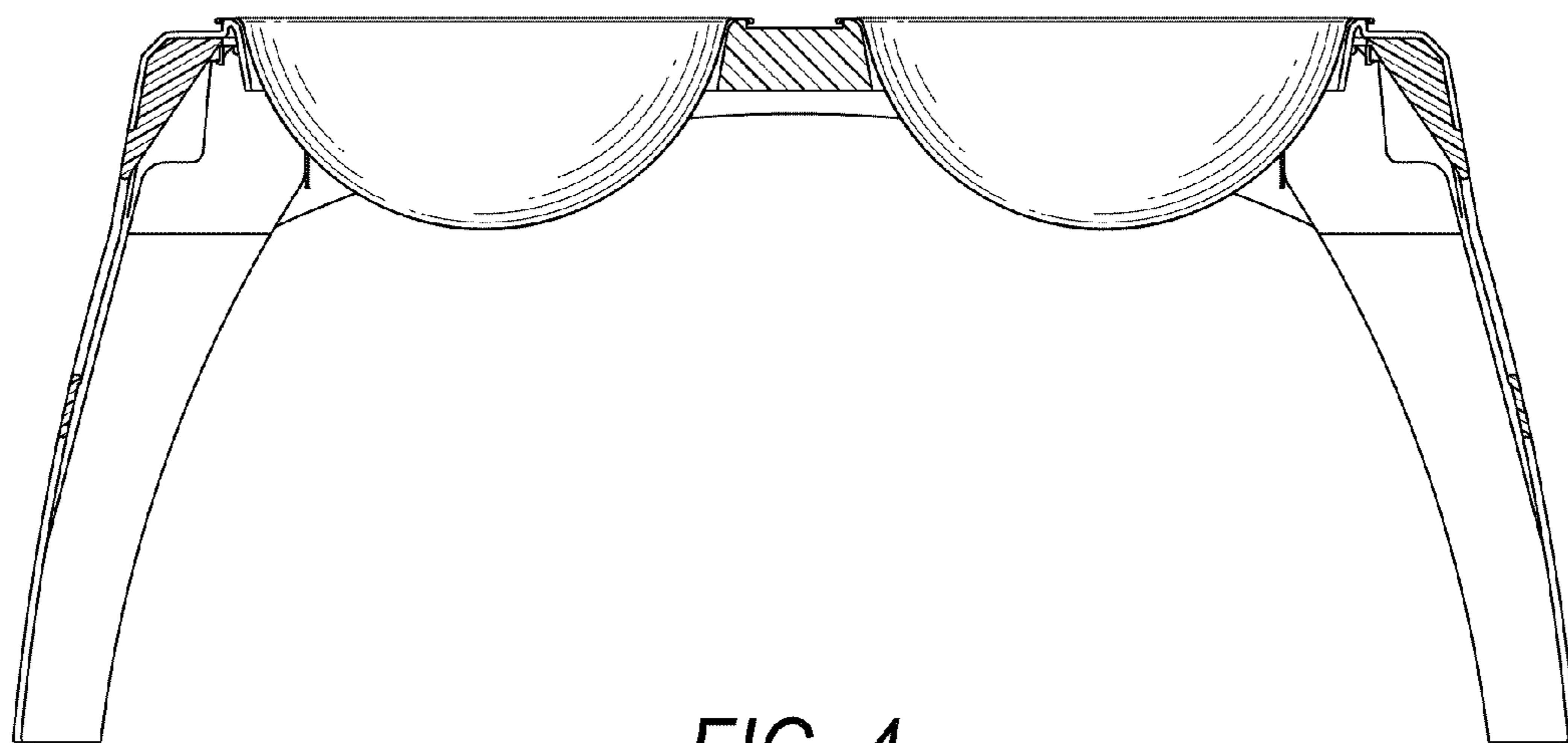


FIG. 4

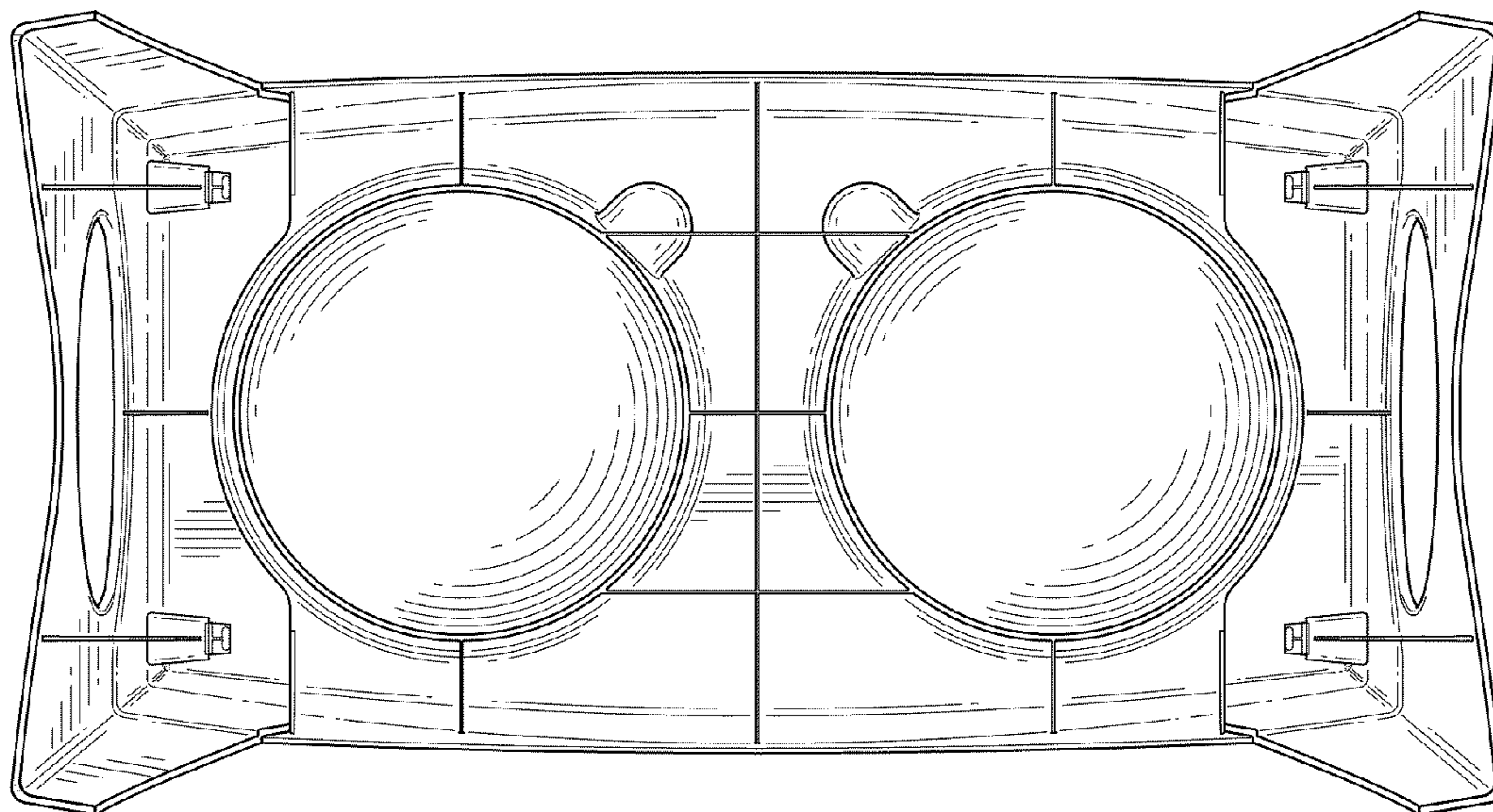


FIG. 5

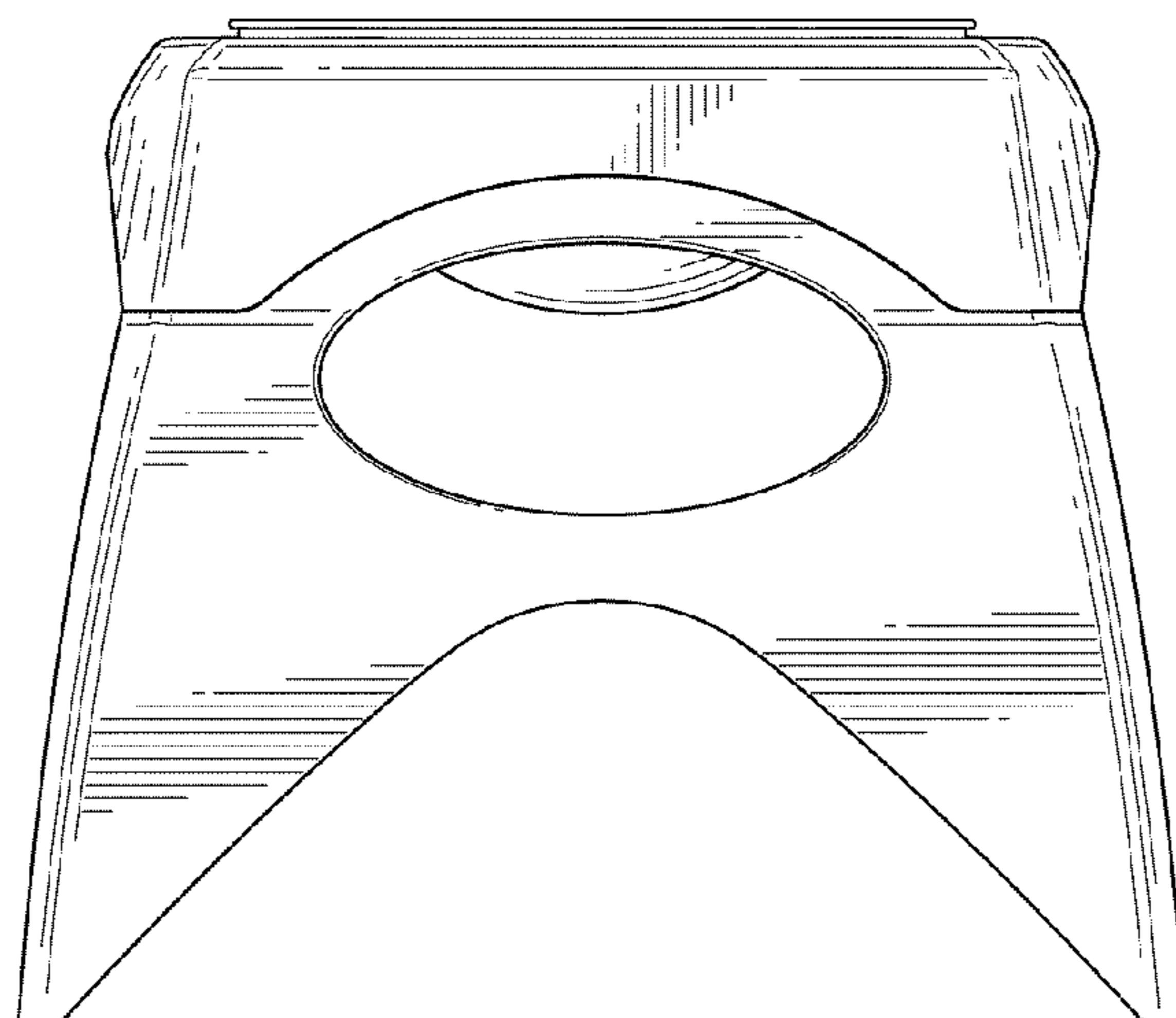


FIG. 6