



US00D647664S

(12) **United States Design Patent**
Chen

(10) **Patent No.:** **US D647,664 S**

(45) **Date of Patent:** **** Oct. 25, 2011**

(54) **MOSAIC LAMP**

(75) Inventor: **Chi Gon Chen**, Guang Zhou (CN)

(73) Assignee: **International Development LLC**,
Roanoke, TX (US)

(**) Term: **14 Years**

(21) Appl. No.: **29/389,675**

(22) Filed: **Apr. 14, 2011**

(51) **LOC (9) Cl.** **26-03**

(52) **U.S. Cl.** **D26/87**

(58) **Field of Classification Search** D26/67,
D26/68, 72, 82, 83, 85, 87, 89, 92, 128; 362/133,
362/432, 183

See application file for complete search history.

(56) **References Cited**

U.S. PATENT DOCUMENTS

D73,386 S *	8/1927	Lipschutz	D26/87
D80,849 S *	4/1930	Miller	D26/128
D83,935 S *	4/1931	Wing	D26/87
D85,628 S *	11/1931	Wing	D26/87

D431,669 S *	10/2000	Milicia	D26/128
D500,570 S *	1/2005	Tsai	D26/87
D570,028 S *	5/2008	Curtin	D26/85
D570,525 S *	6/2008	Morin	D26/87
D601,746 S *	10/2009	Sabernig	D26/120
D604,448 S *	11/2009	Sabernig	D26/89

* cited by examiner

Primary Examiner — Clare E Heflin

(74) *Attorney, Agent, or Firm* — Brian E. Harris

(57) **CLAIM**

The ornamental design for a mosaic lamp, as shown and described.

DESCRIPTION

FIG. 1 is a perspective view of the mosaic lamp of the present invention;

FIG. 2 is a front elevation view thereof;

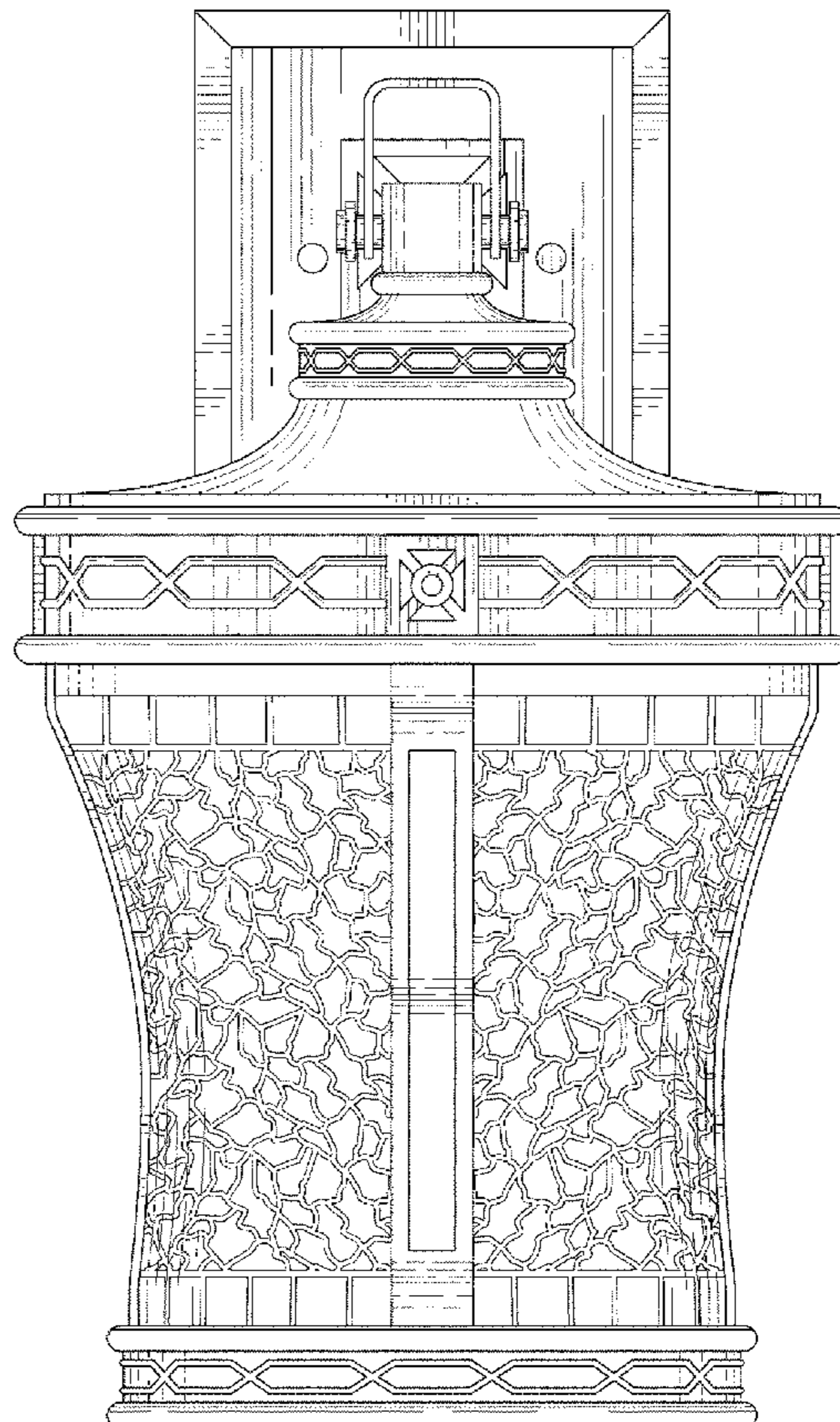
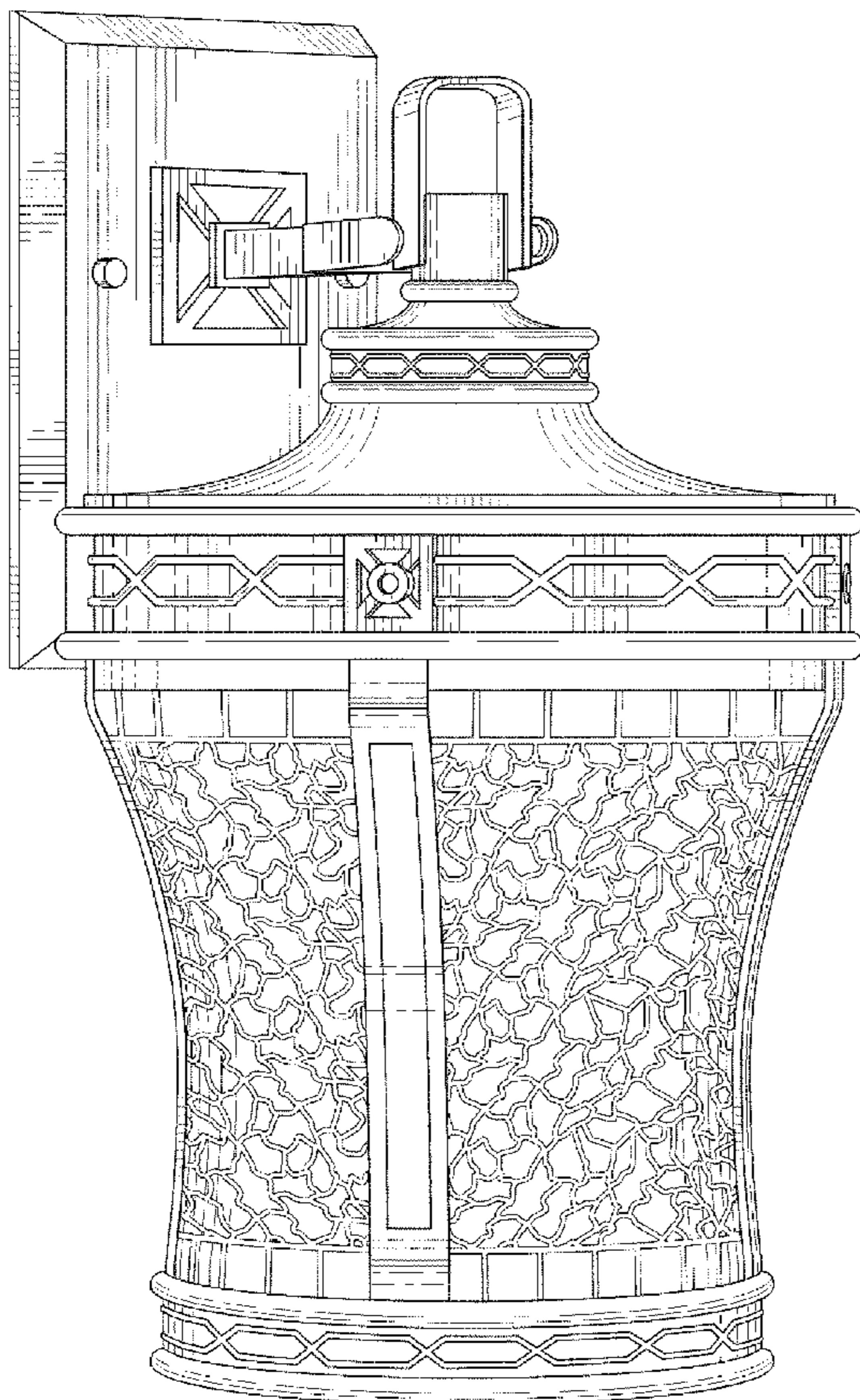
FIG. 3 is a rear elevation view thereof;

FIG. 4 is a left side elevation view thereof, the right side elevation view being a mirror image thereof;

FIG. 5 is a bottom plan view thereof; and,

FIG. 6 is a top plan view thereof.

1 Claim, 3 Drawing Sheets



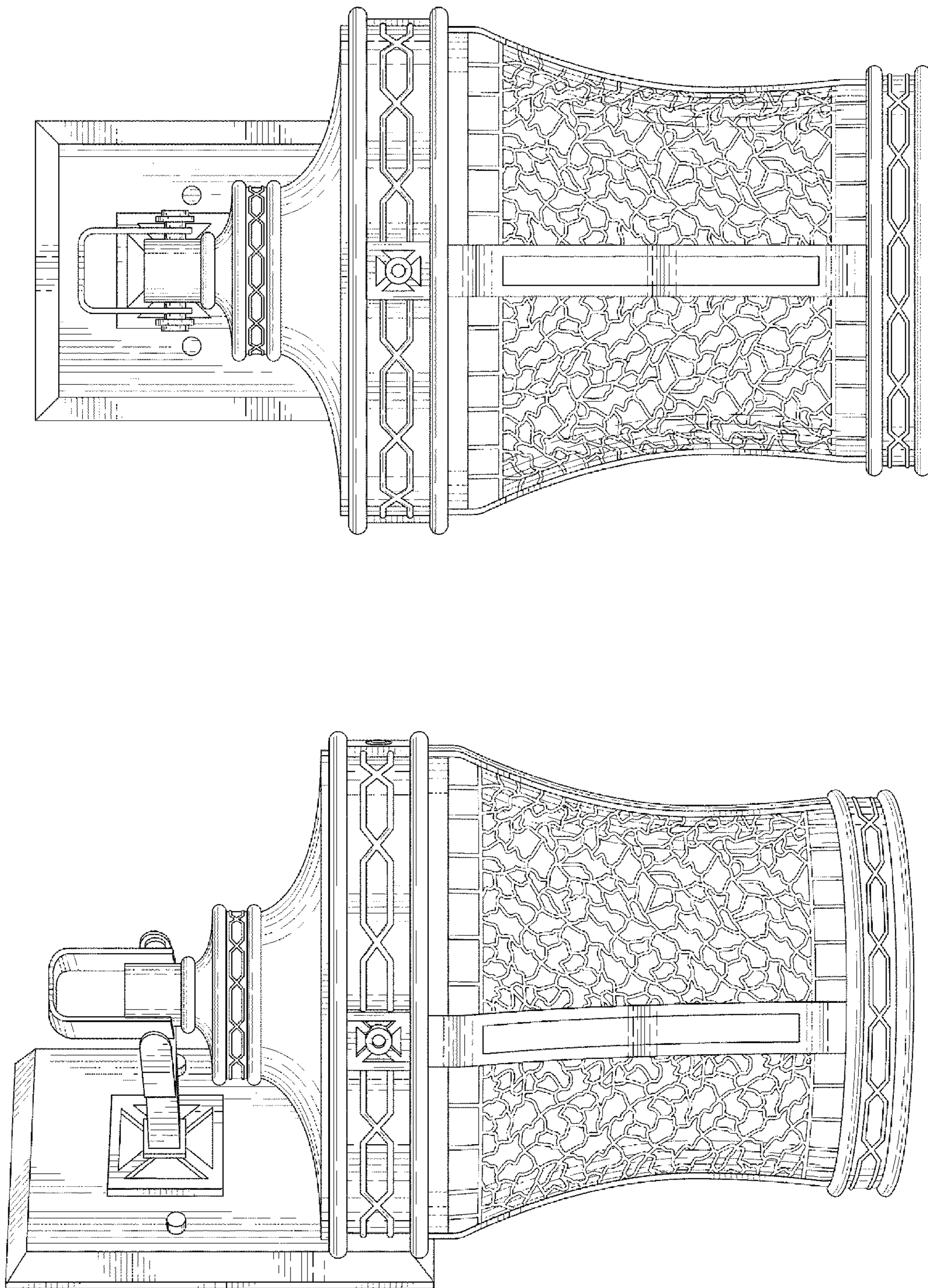


FIG. 2

FIG. 1

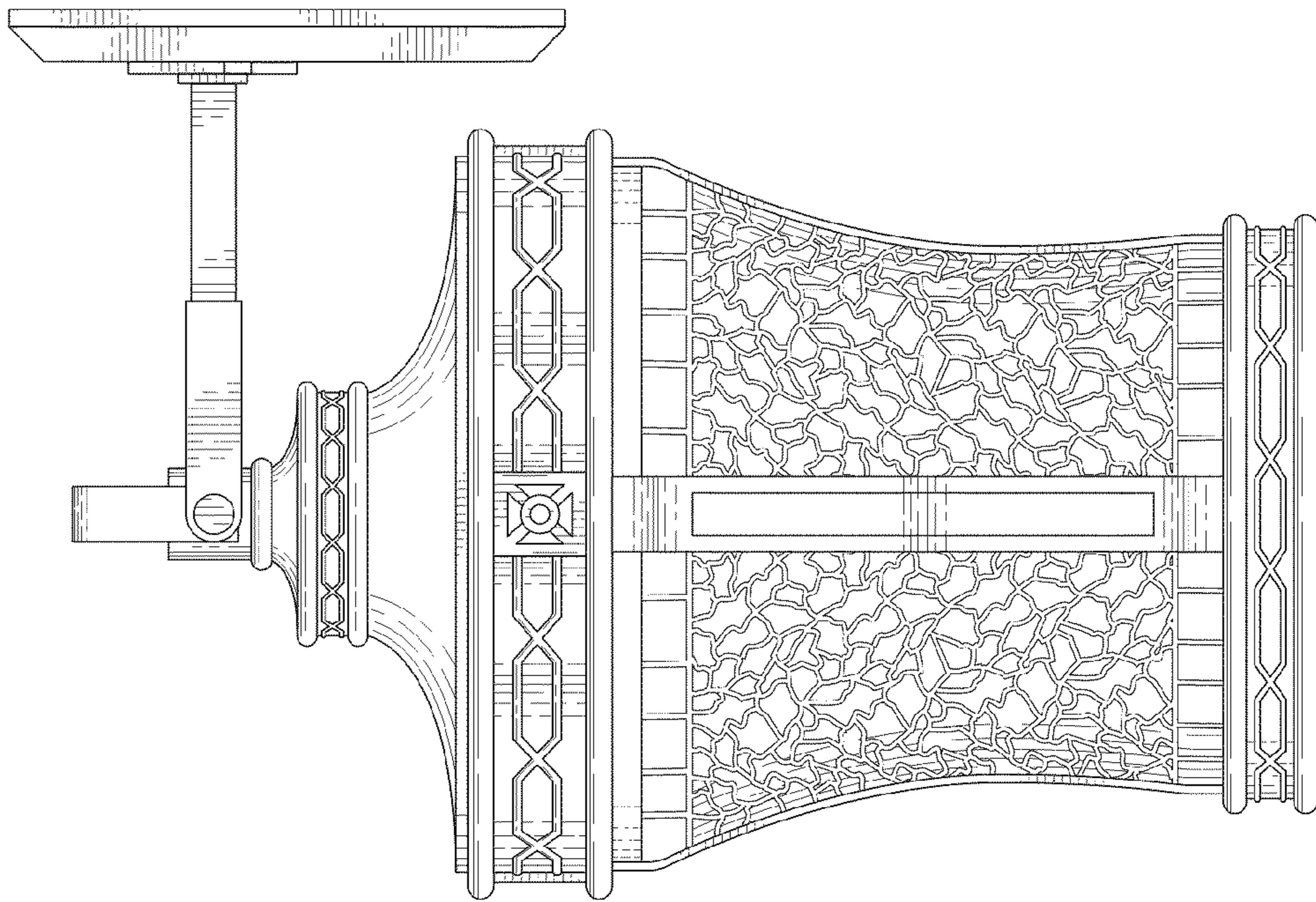


FIG. 4

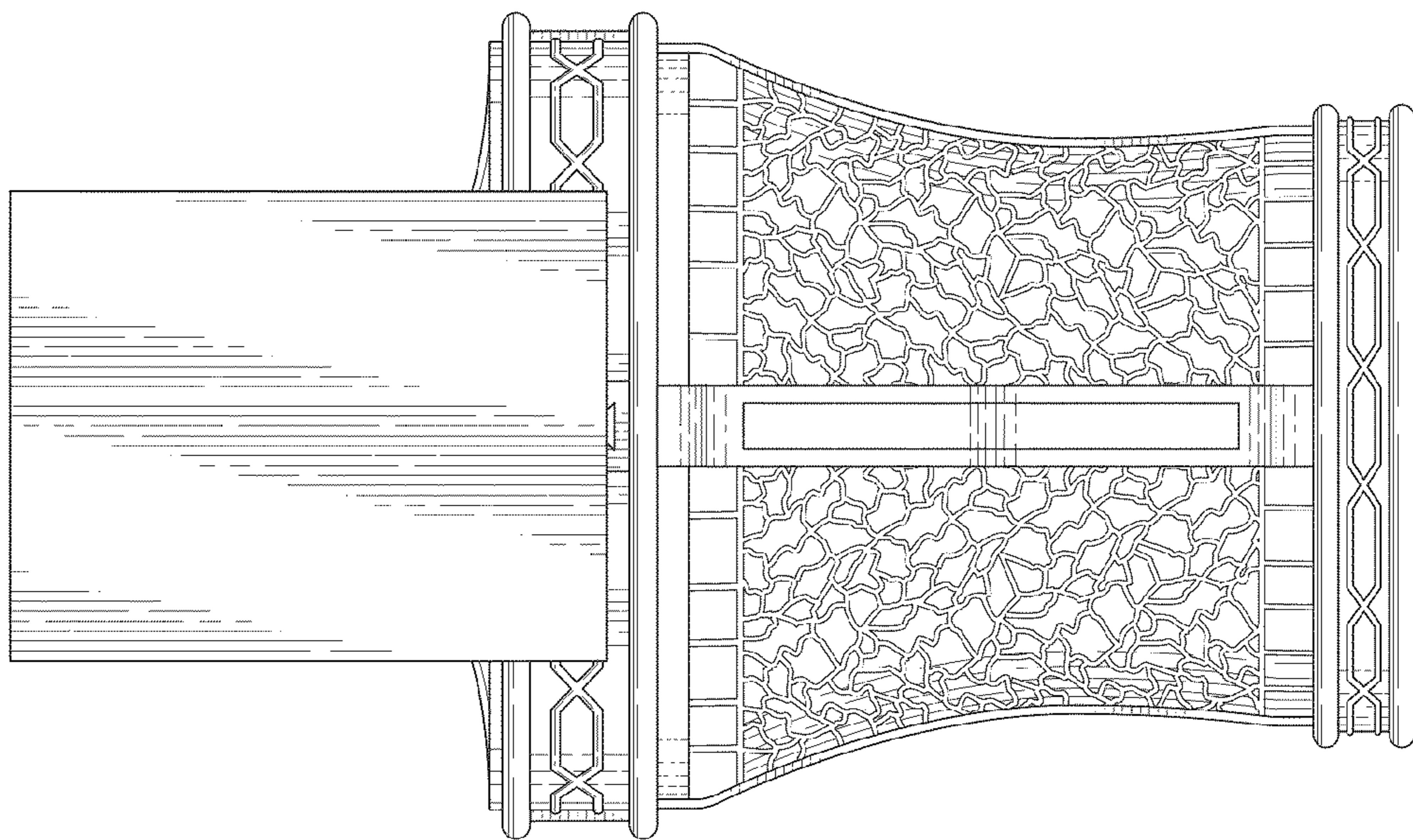


FIG. 3

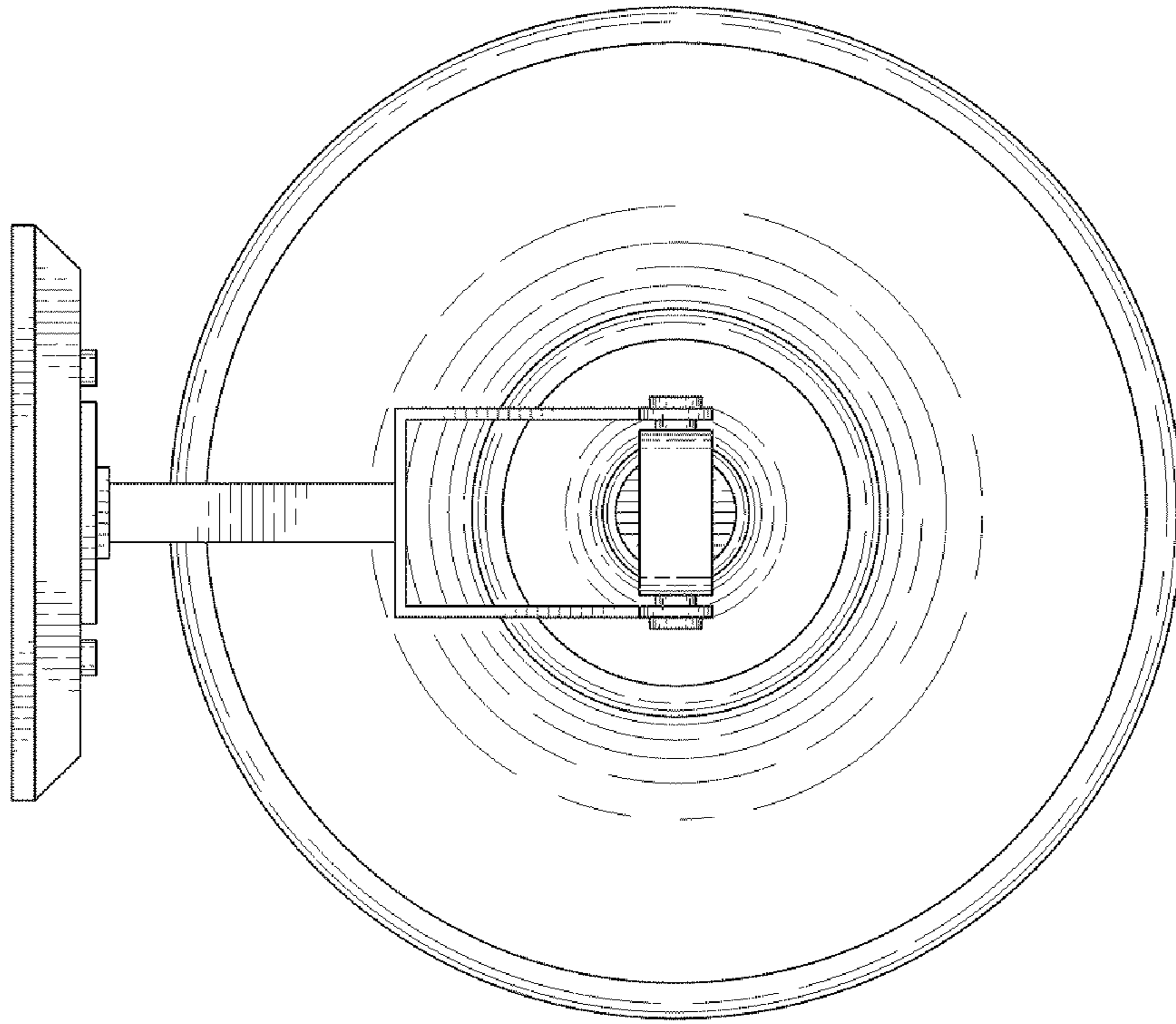


FIG. 6

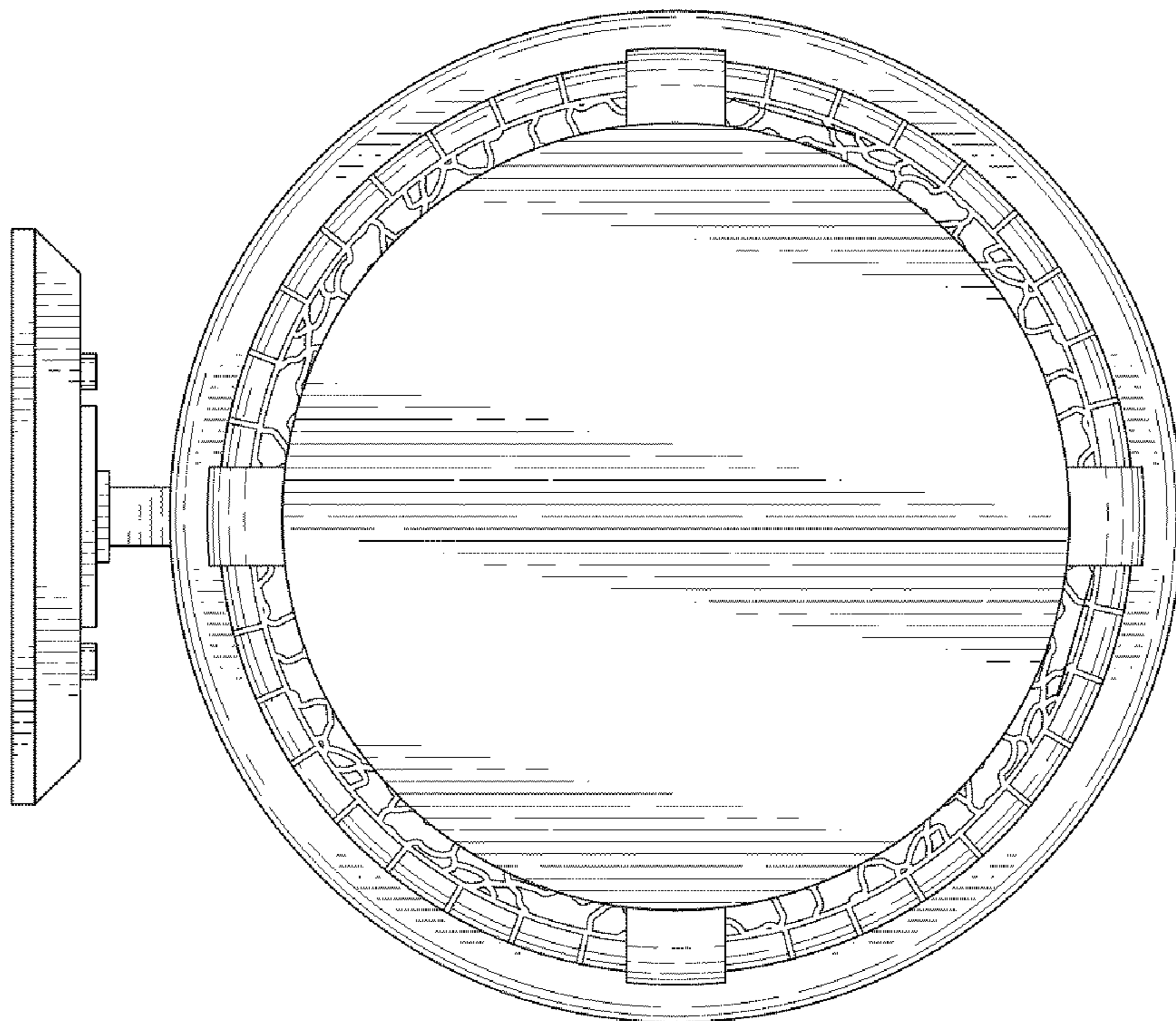


FIG. 5