



US00D647660S

(12) **United States Design Patent**
Steenhoudt

(10) **Patent No.:** **US D647,660 S**

(45) **Date of Patent:** **** Oct. 25, 2011**

(54) **LUMINAIRE**

(75) Inventor: **Michael Steenhoudt**, Antwerp (BE)

(73) Assignee: **Koninklijke Philips Electronics N.V.**,
Eindhoven (NL)

(**) Term: **14 Years**

(21) Appl. No.: **29/383,889**

(22) Filed: **Jan. 24, 2011**

(51) **LOC (9) Cl.** **26-03**

(52) **U.S. Cl.** **D26/83**

(58) **Field of Classification Search** D26/75,
D26/76, 80-91; 362/147, 404-408, 217.01

See application file for complete search history.

(56) **References Cited**

U.S. PATENT DOCUMENTS

D125,317 S *	2/1941	Sabatini	D26/88
D407,520 S *	3/1999	Dolan	D26/84
D418,242 S *	12/1999	Diaz-Azcuy	D26/84
D418,622 S *	1/2000	Diaz-Azcuy	D26/84
D570,526 S *	6/2008	Cenedese	D26/88
D598,602 S *	8/2009	Laarman	D26/84

OTHER PUBLICATIONS

Kasper light fixture—all models shown on pp. 60 and 61 of the Illuminations Supplement 2010 from Eurofase Inc. © 2010.*

Starburst light fixture—all models shown on pp. 90 and 91 of the Illuminations Supplement 2010 from Eurofase Inc. © 2010. (2 pages include rear cover of catalog).*

Horby Pendant. Item 7 on p. 310 of the 2008 Ikea catalog.*

From the ET2 2007 Catalog; 1.) Stellar light fixture models E22109-18 and E22108-18 on p. 165; and 2.) Ice light fixture model E22075-18 on p. 167. (3 pages include rear cover of catalog).*

* cited by examiner

Primary Examiner — Clare E Heflin

(57) **CLAIM**

The ornamental design for a luminaire, as shown.

DESCRIPTION

FIG. 1 is a perspective view showing my design;

FIG. 2 is a front elevational view thereof;

FIG. 3 is a rear elevational view thereof;

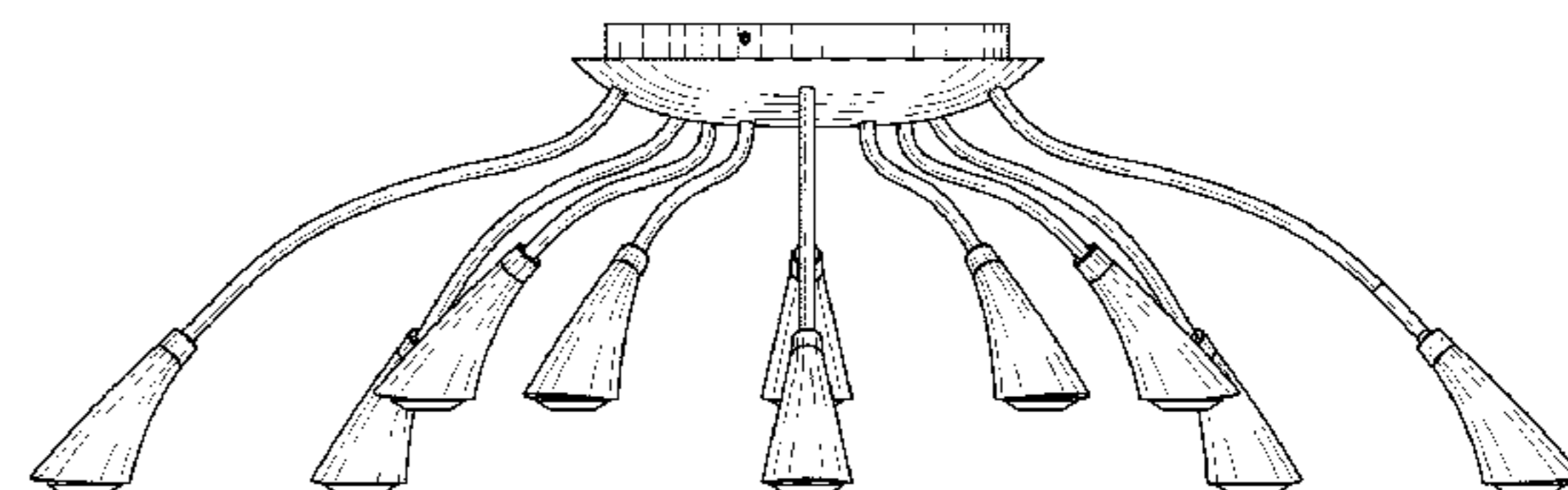
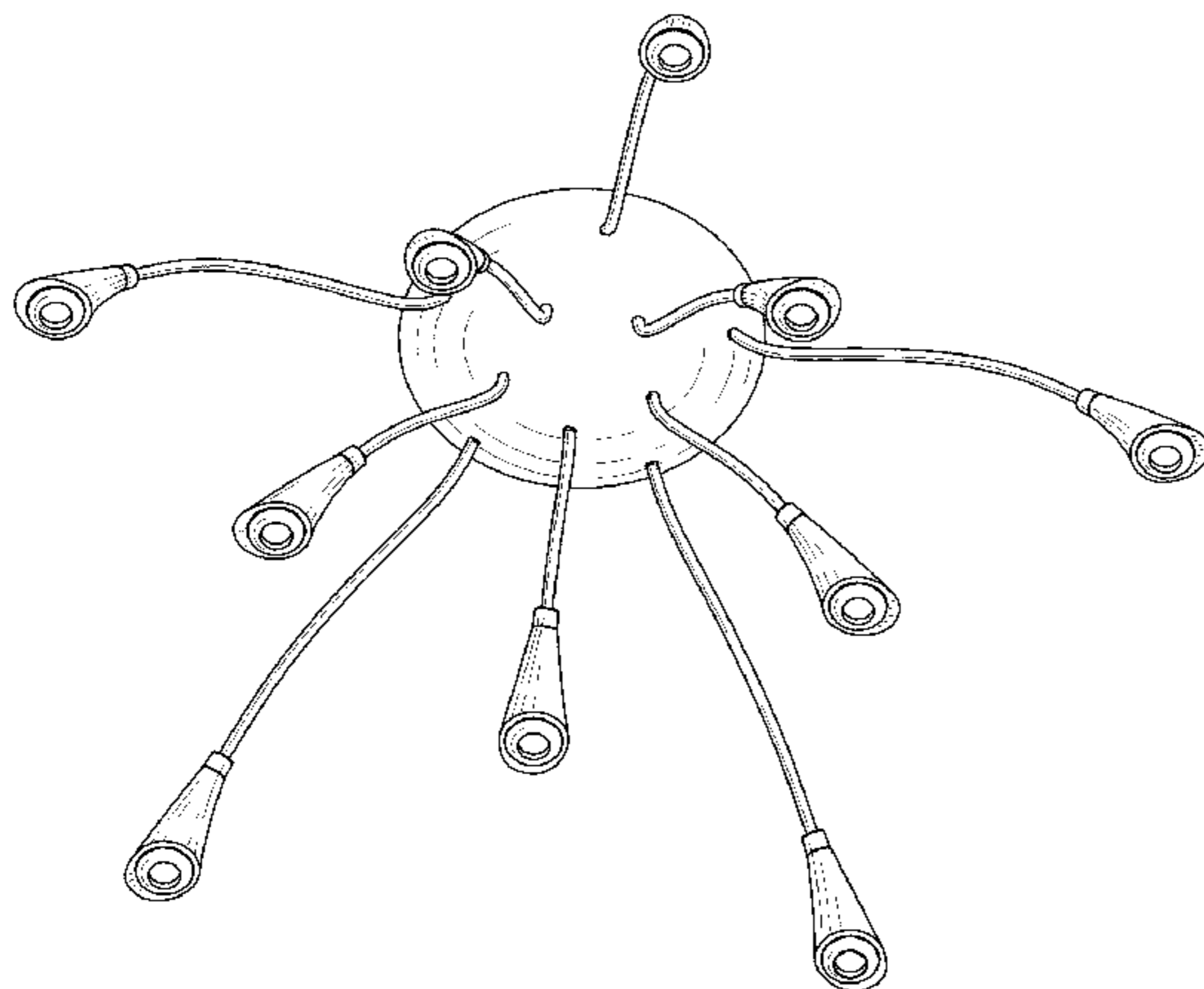
FIG. 4 is a right side elevational view thereof;

FIG. 5 is a left side elevational view thereof;

FIG. 6 is a top plan view thereof; and,

FIG. 7 is a bottom plan view thereof.

1 Claim, 5 Drawing Sheets



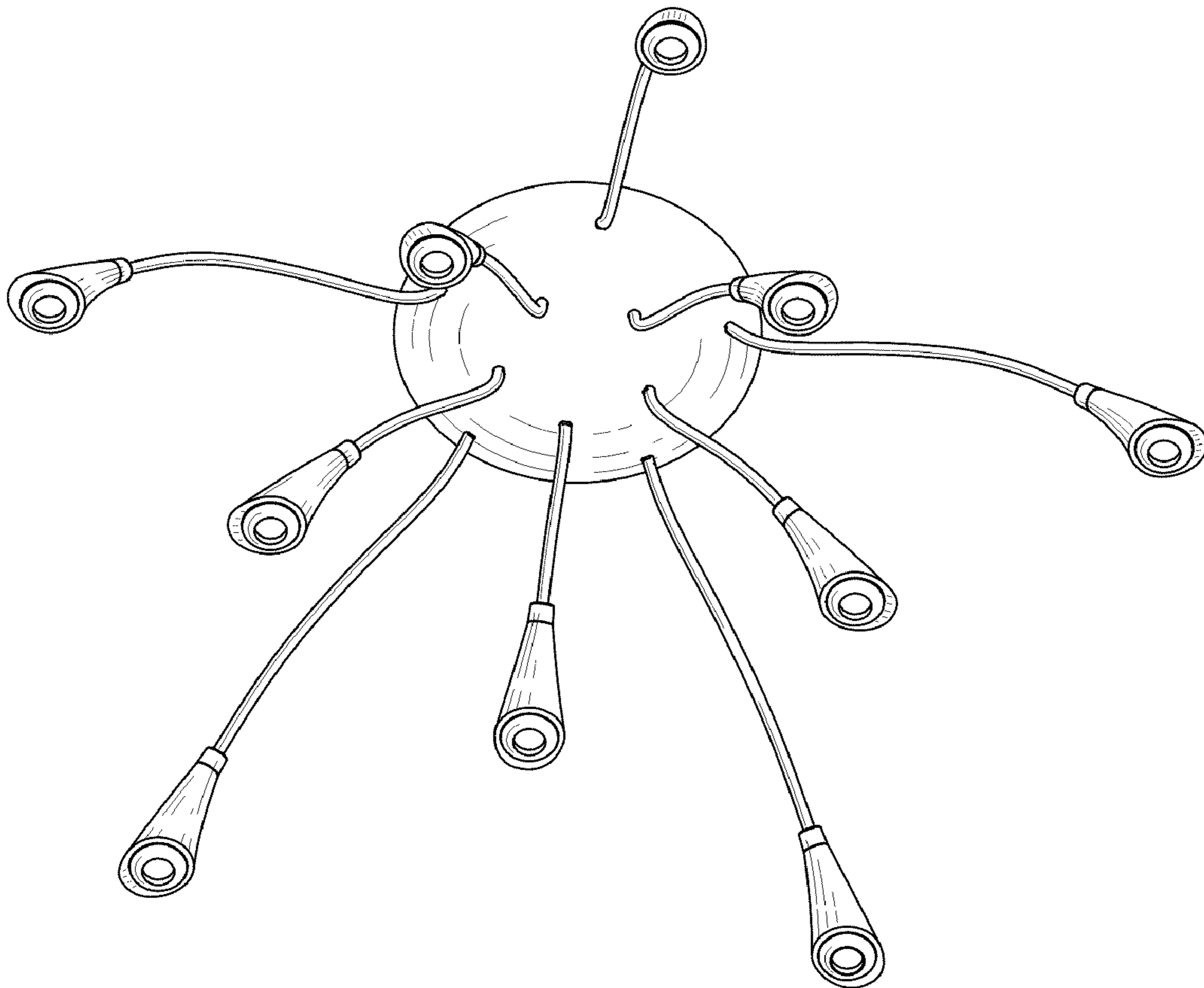


FIG.1

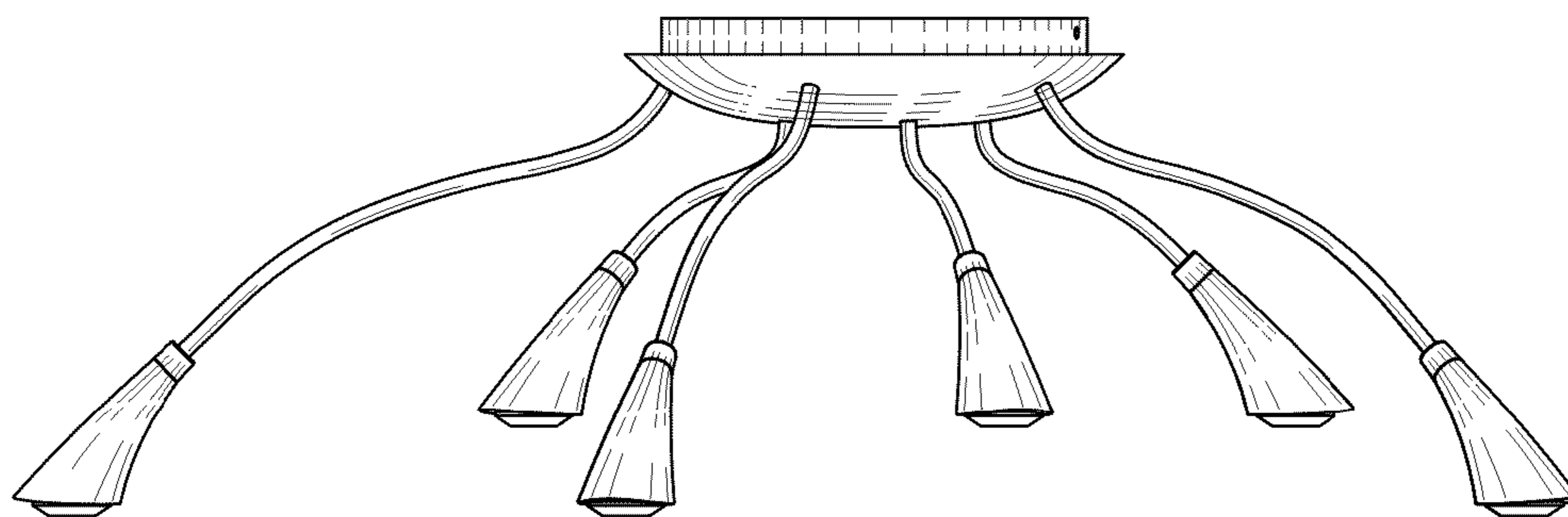


FIG. 2

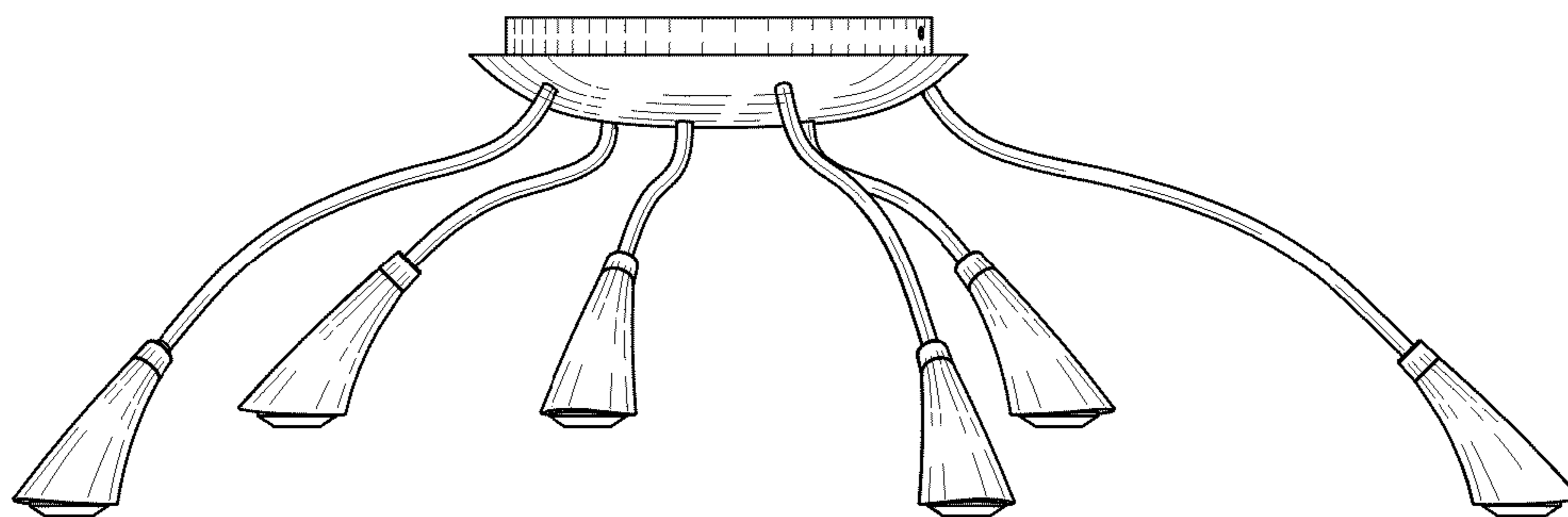


FIG. 3

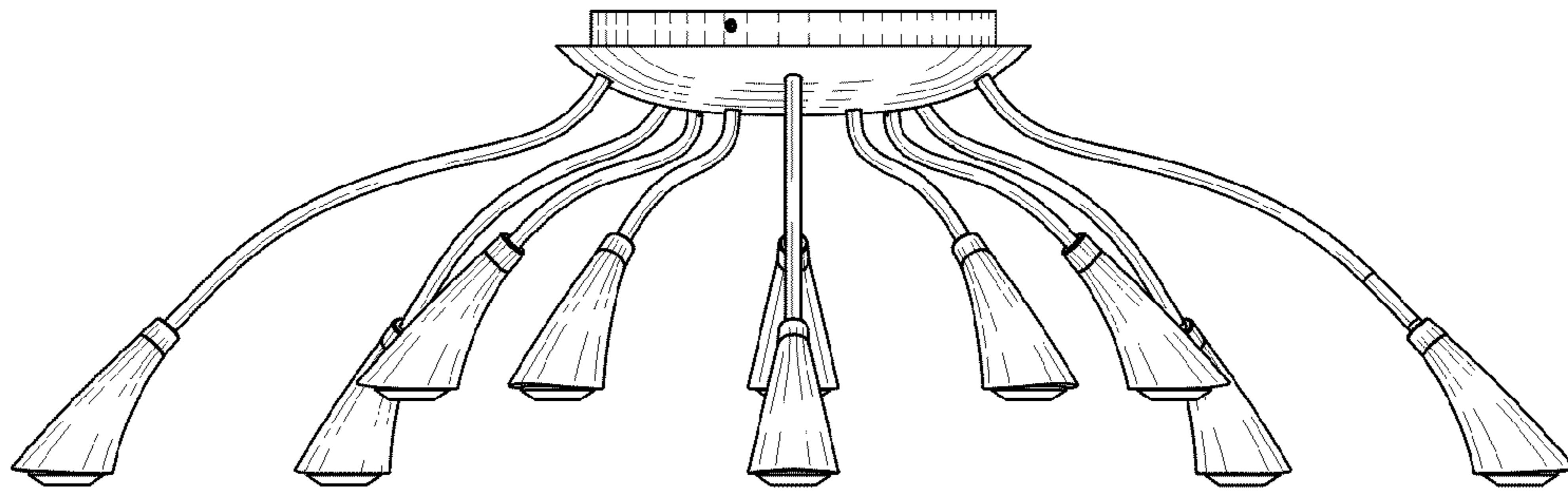


FIG. 4

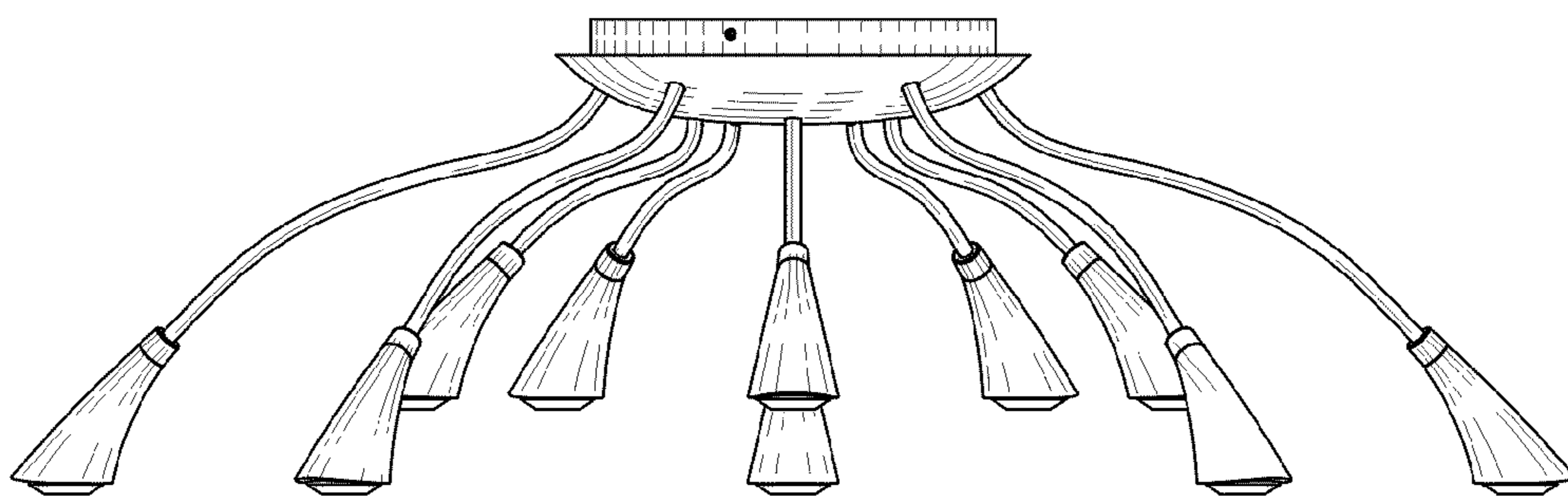


FIG. 5

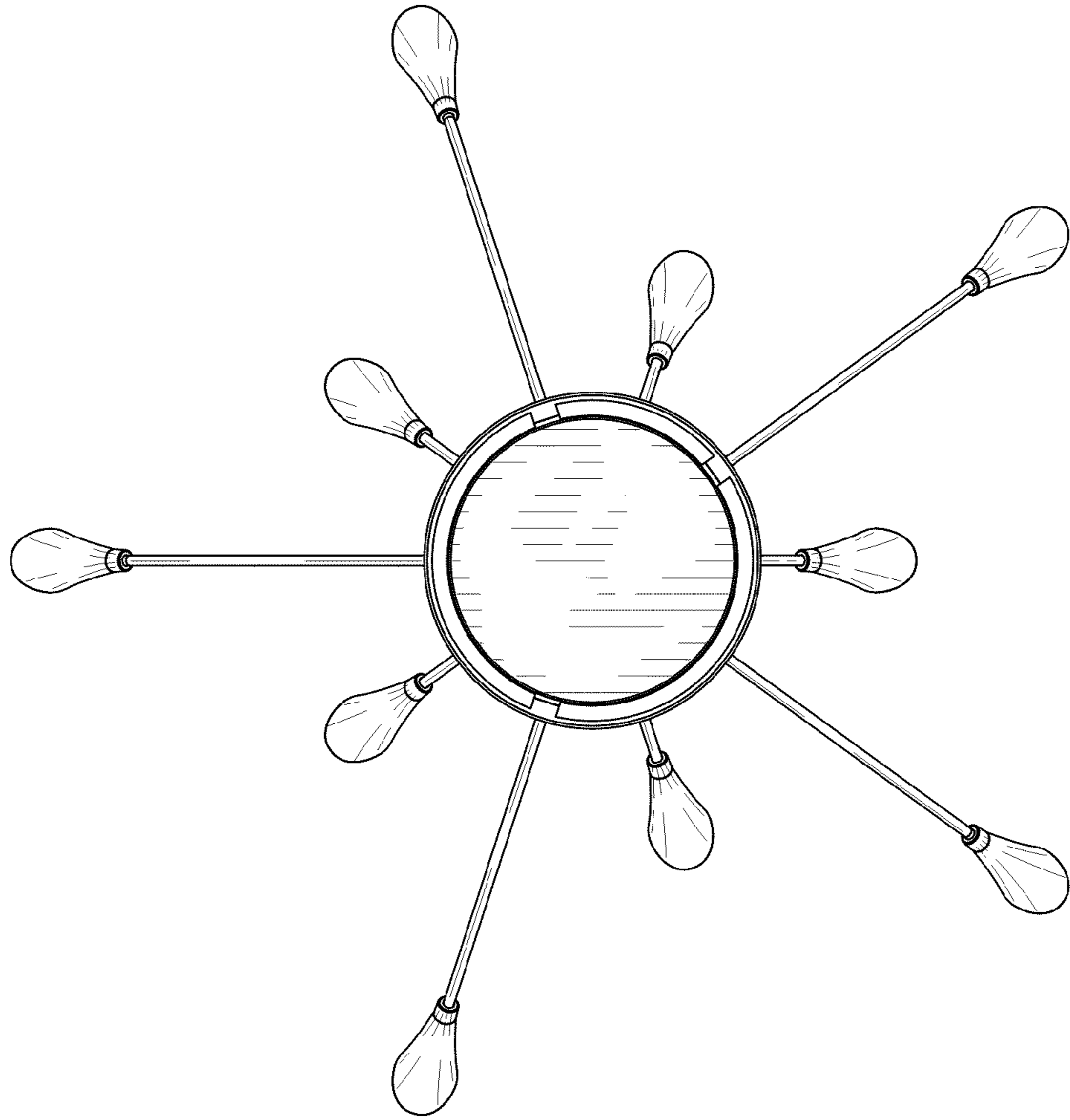


FIG.6

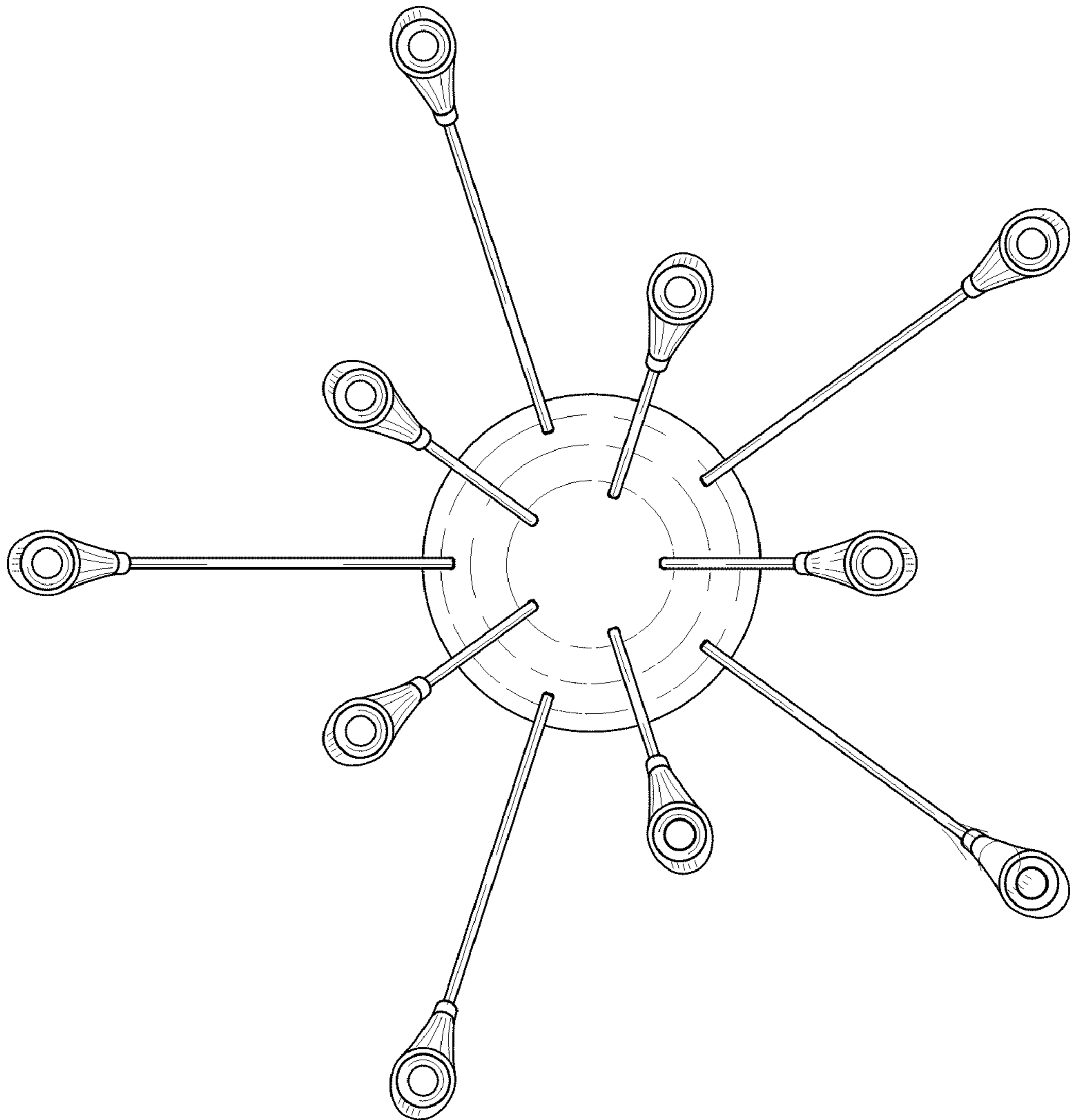


FIG.7