



US00D647659S

(12) **United States Design Patent**
Chen et al.

(10) **Patent No.:** **US D647,659 S**

(45) **Date of Patent:** **** Oct. 25, 2011**

(54) **ELECTRODELESS LAMP STREET LIGHTING FIXTURE**

(75) Inventors: **Wenjun Chen**, West Covina, CA (US);
Wenxin Kang, Nanping (CN); **Hequan Zhang**, Nanping (CN)

(73) Assignee: **Fujian Juan Kuang Yaming Electric Limited**, Fujian (CN)

(**) Term: **14 Years**

(21) Appl. No.: **29/379,481**

(22) Filed: **Nov. 19, 2010**

(51) **LOC (9) Cl.** **26-05**

(52) **U.S. Cl.** **D26/71**

(58) **Field of Classification Search** D26/67-71,
D26/85, 92; 362/145, 183, 231, 240, 249.02,
362/249.03, 249.04, 249.06, 249.16, 373,
362/311.02, 697, 547, 431, 432
See application file for complete search history.

(56) **References Cited**

U.S. PATENT DOCUMENTS

D192,041 S * 1/1962 Izzi D26/71

D199,327 S * 10/1964 Guth, Jr. D26/72
D439,695 S * 3/2001 Compton et al. D26/87
D500,569 S * 1/2005 Butler D26/71
D572,857 S * 7/2008 Kauffman et al. D26/71
D624,685 S * 9/2010 Ham et al. D26/71
D631,592 S * 1/2011 Rosas D26/71

* cited by examiner

Primary Examiner — Clare E Heflin

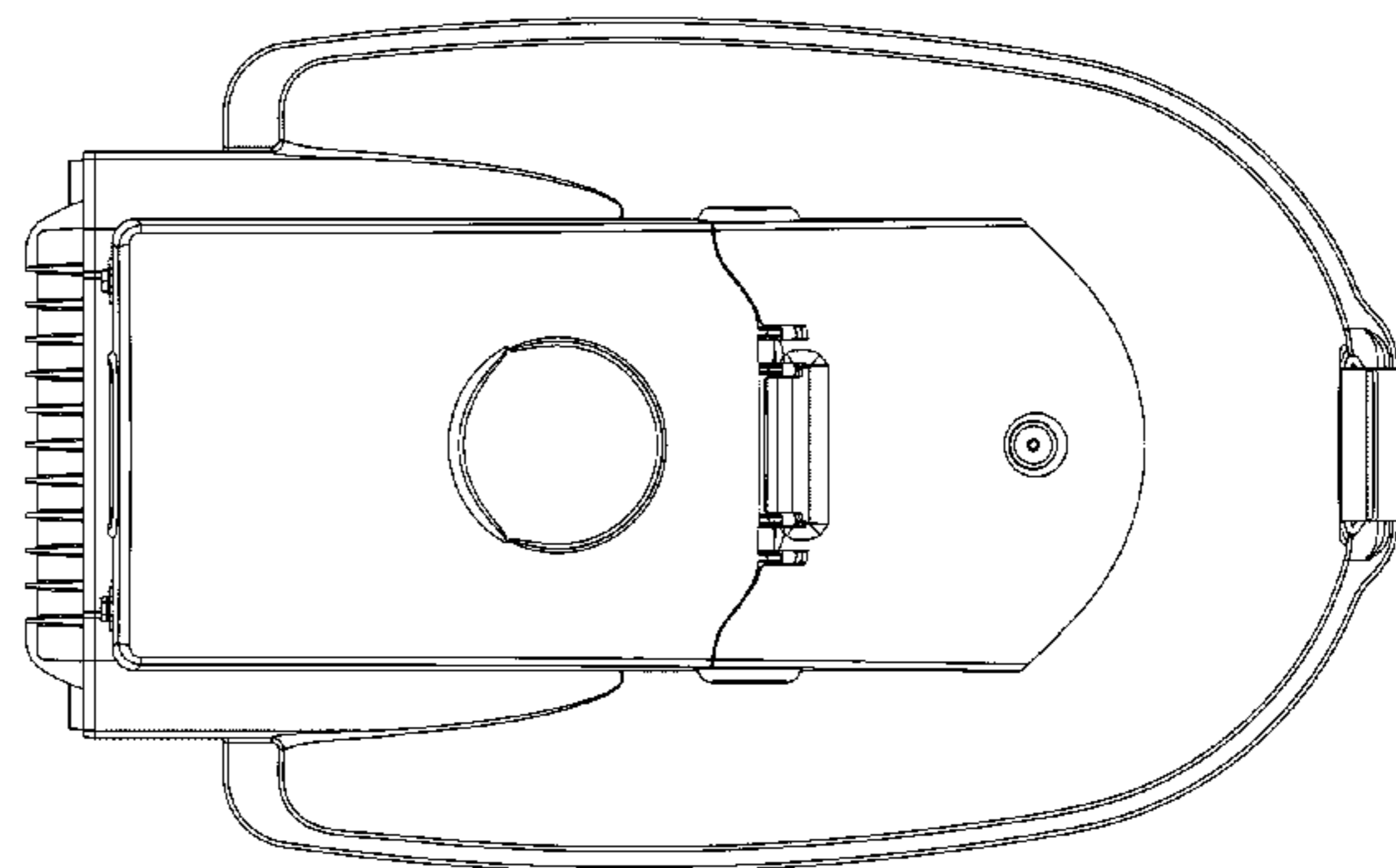
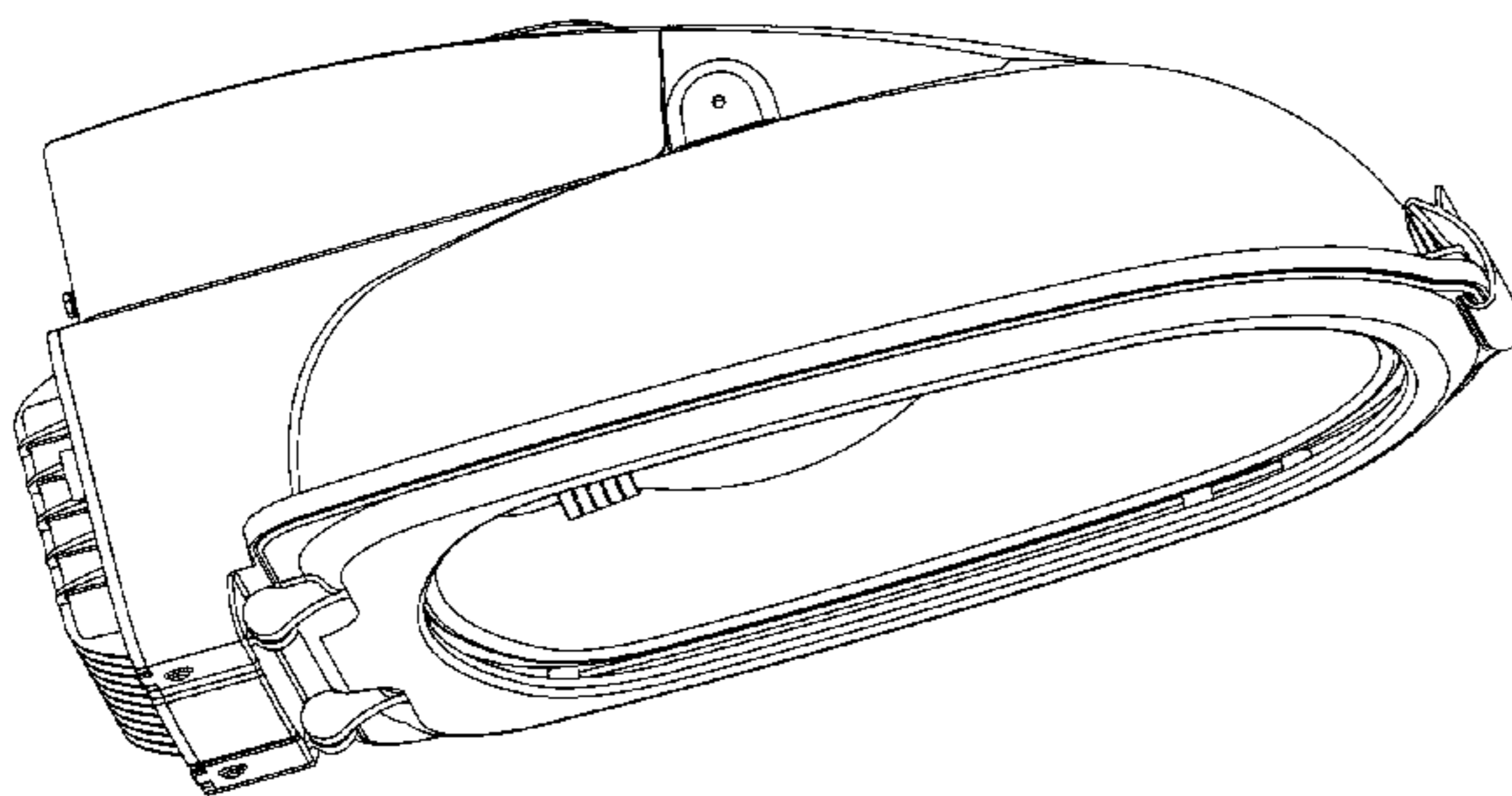
(57) **CLAIM**

The ornamental design for the electrodeless lamp street lighting fixture, as shown and described.

DESCRIPTION

FIG. 1 is a perspective view of the electrodeless lamp street lighting fixture showing our present design,
FIG. 2 is a front view thereof;
FIG. 3 is a rear view thereof;
FIG. 4 is a left side elevation view thereof;
FIG. 5 is a right side elevation view thereof;
FIG. 6 is a top plan view thereof; and,
FIG. 7 is a bottom plan view thereof.

1 Claim, 7 Drawing Sheets



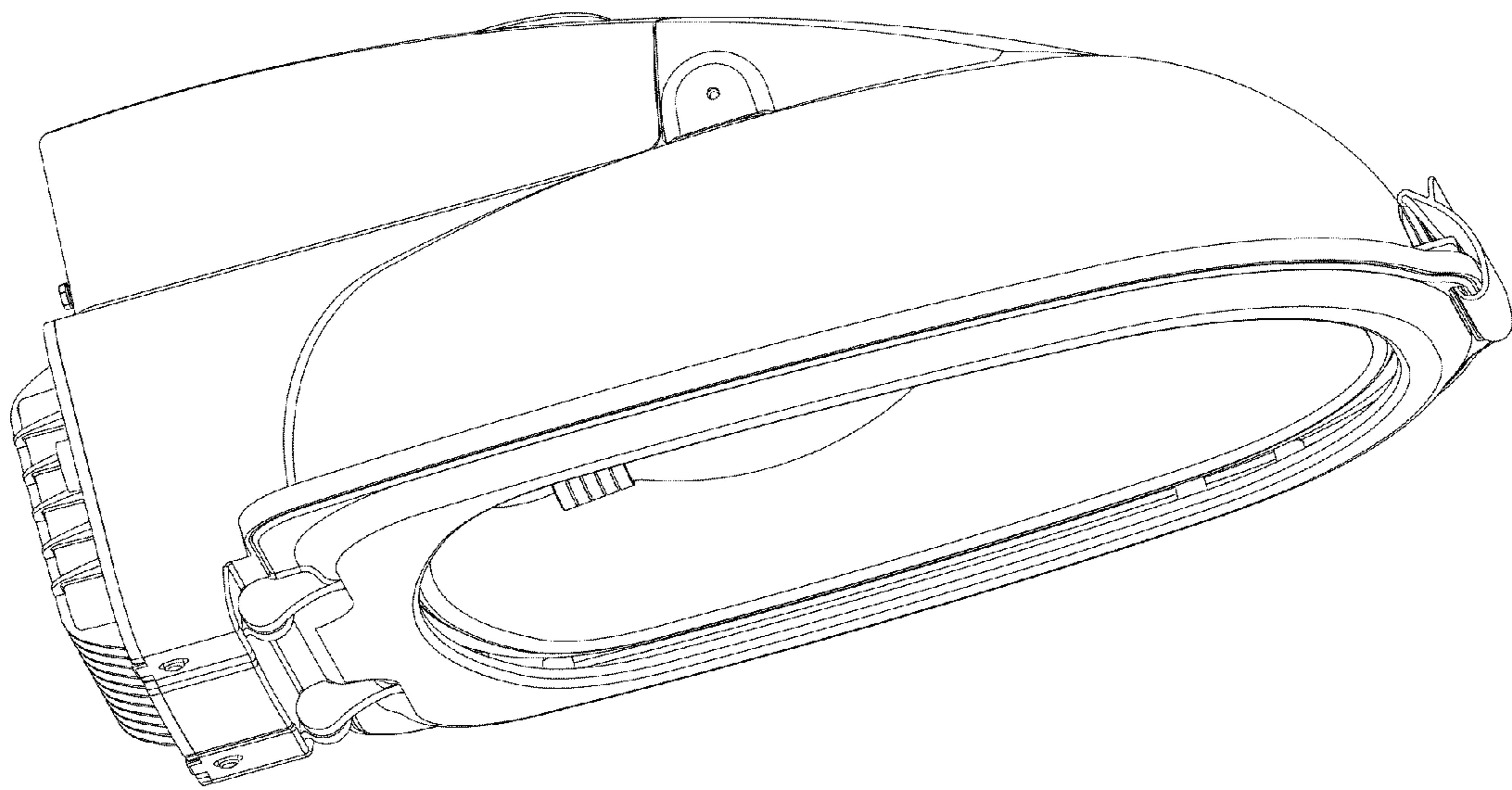


FIG. 1

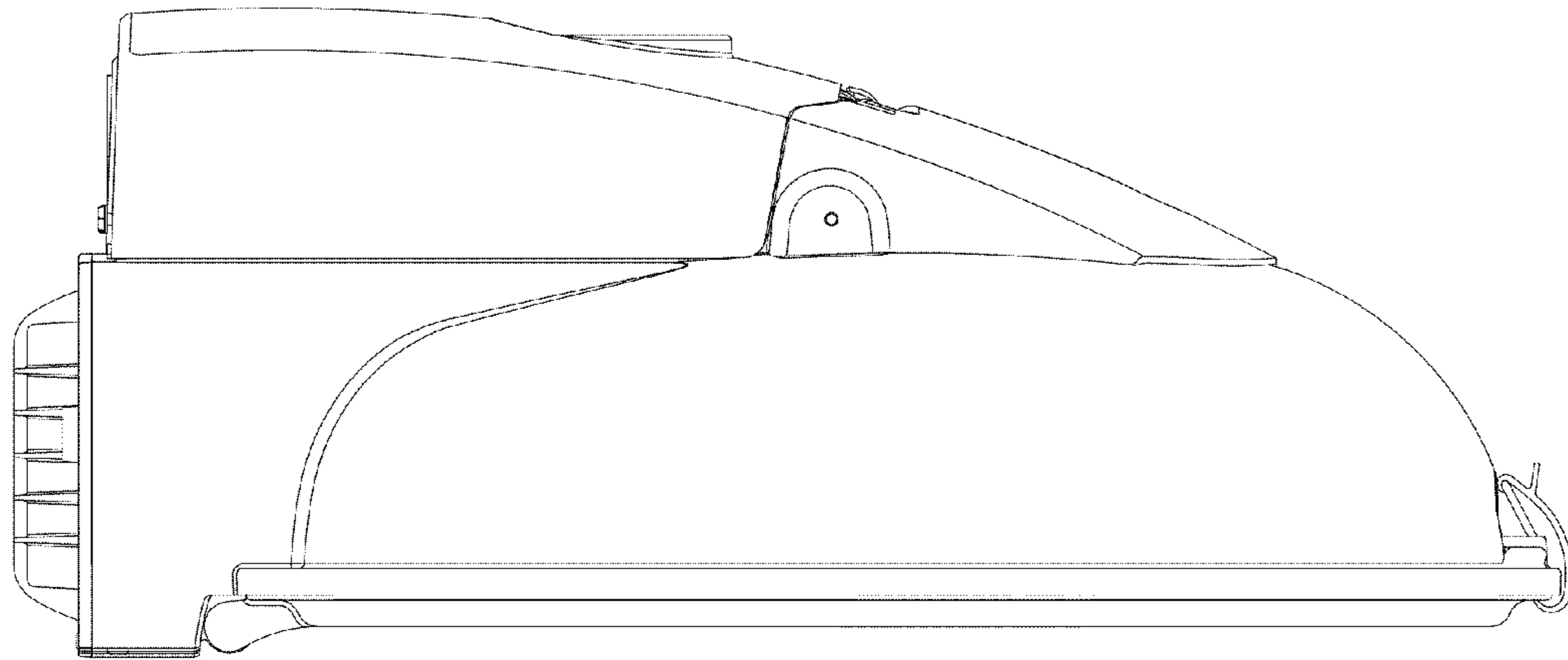


FIG. 2

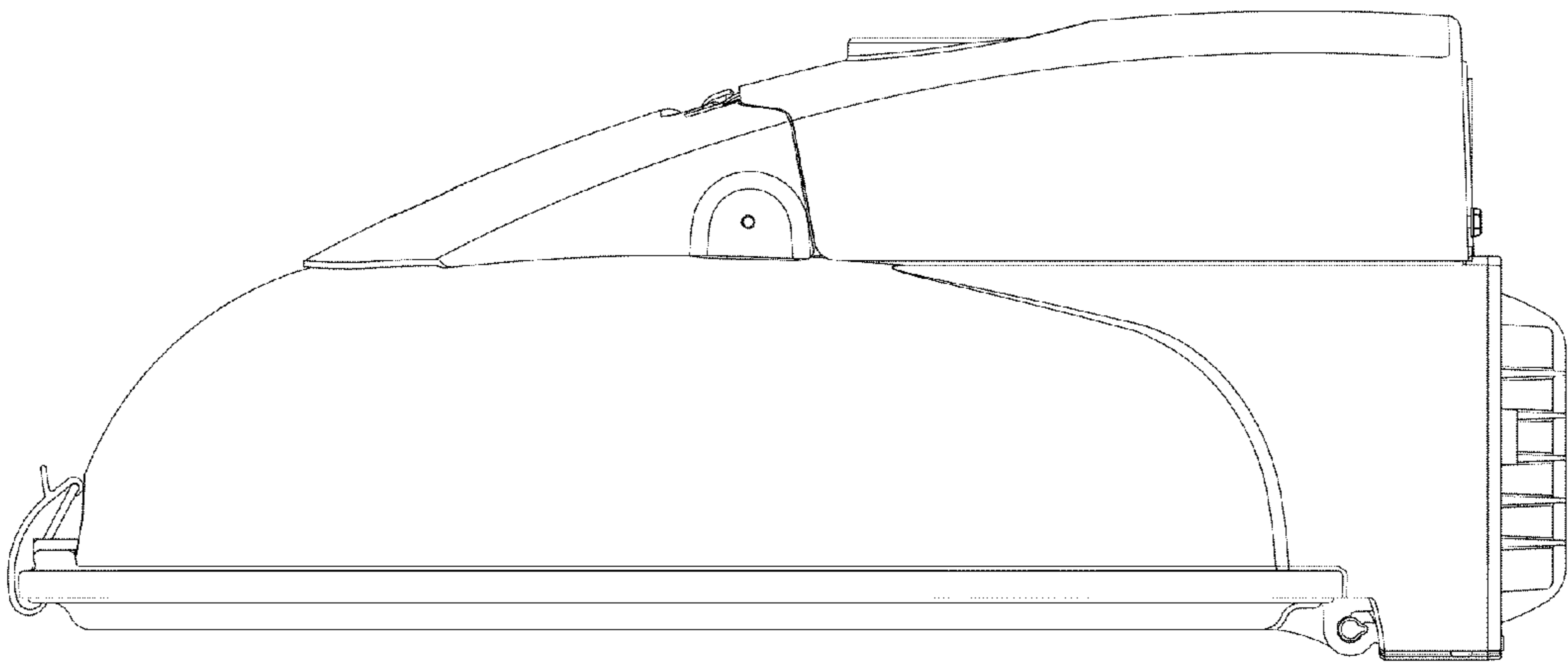


FIG. 3

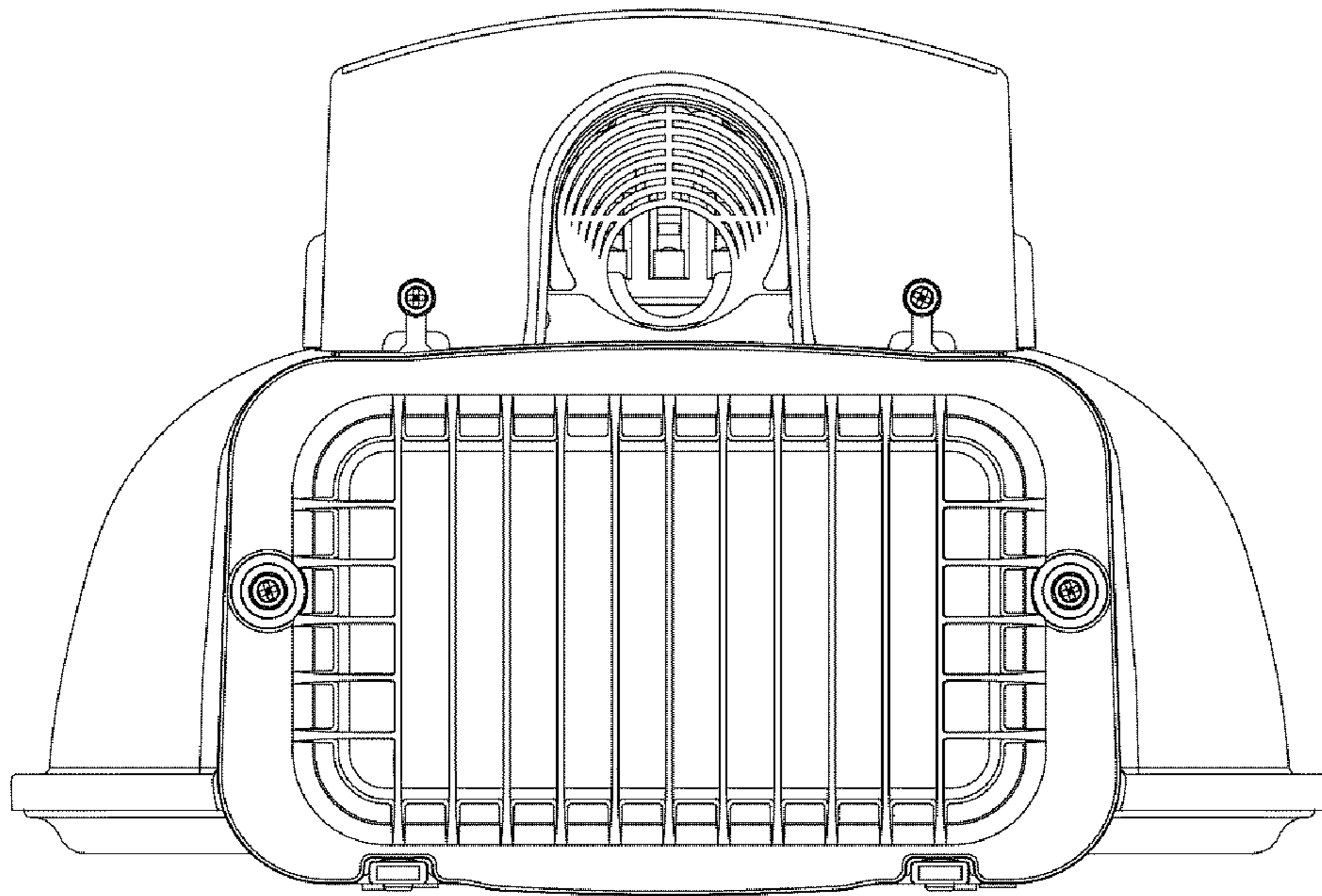


FIG. 4

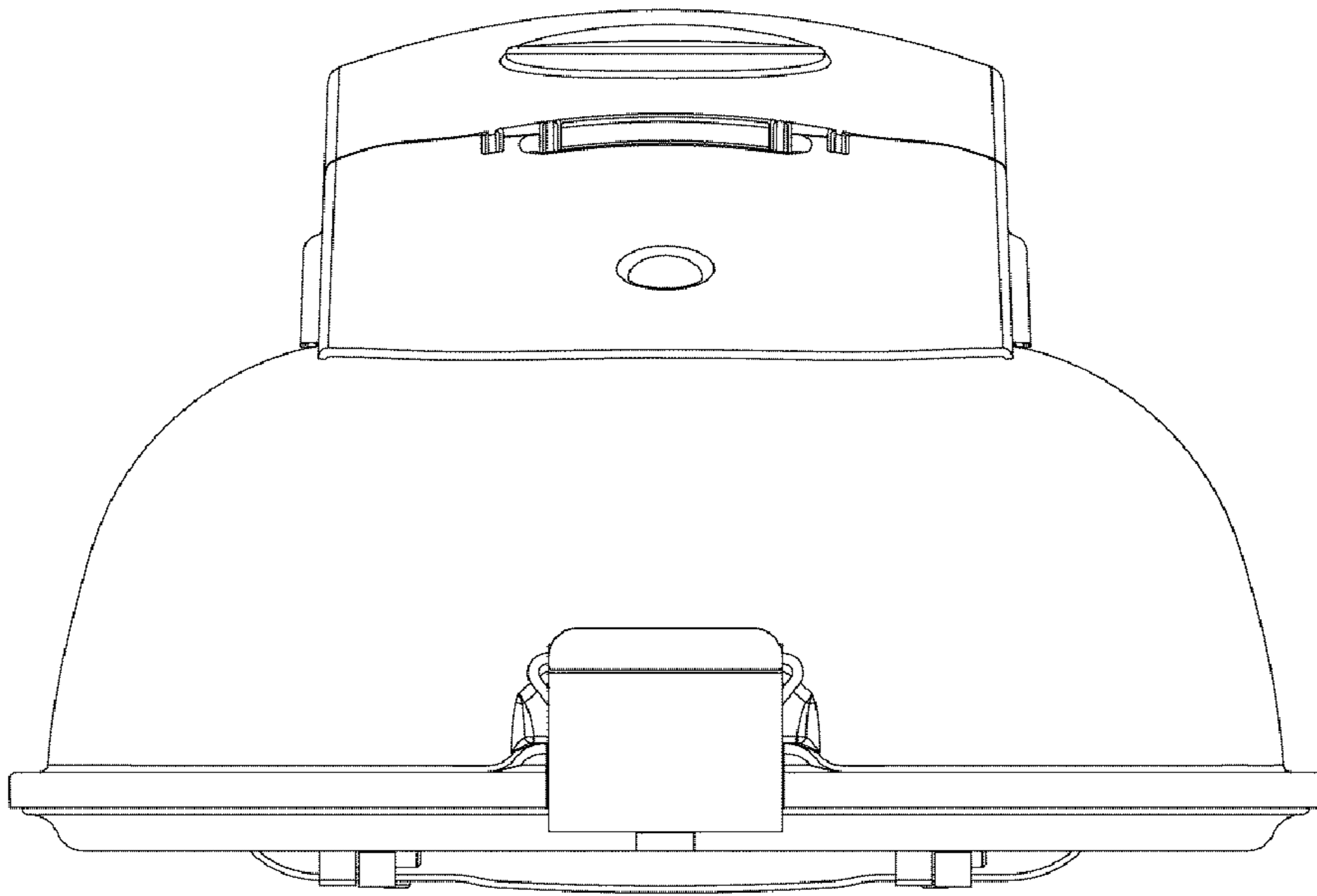


FIG. 5

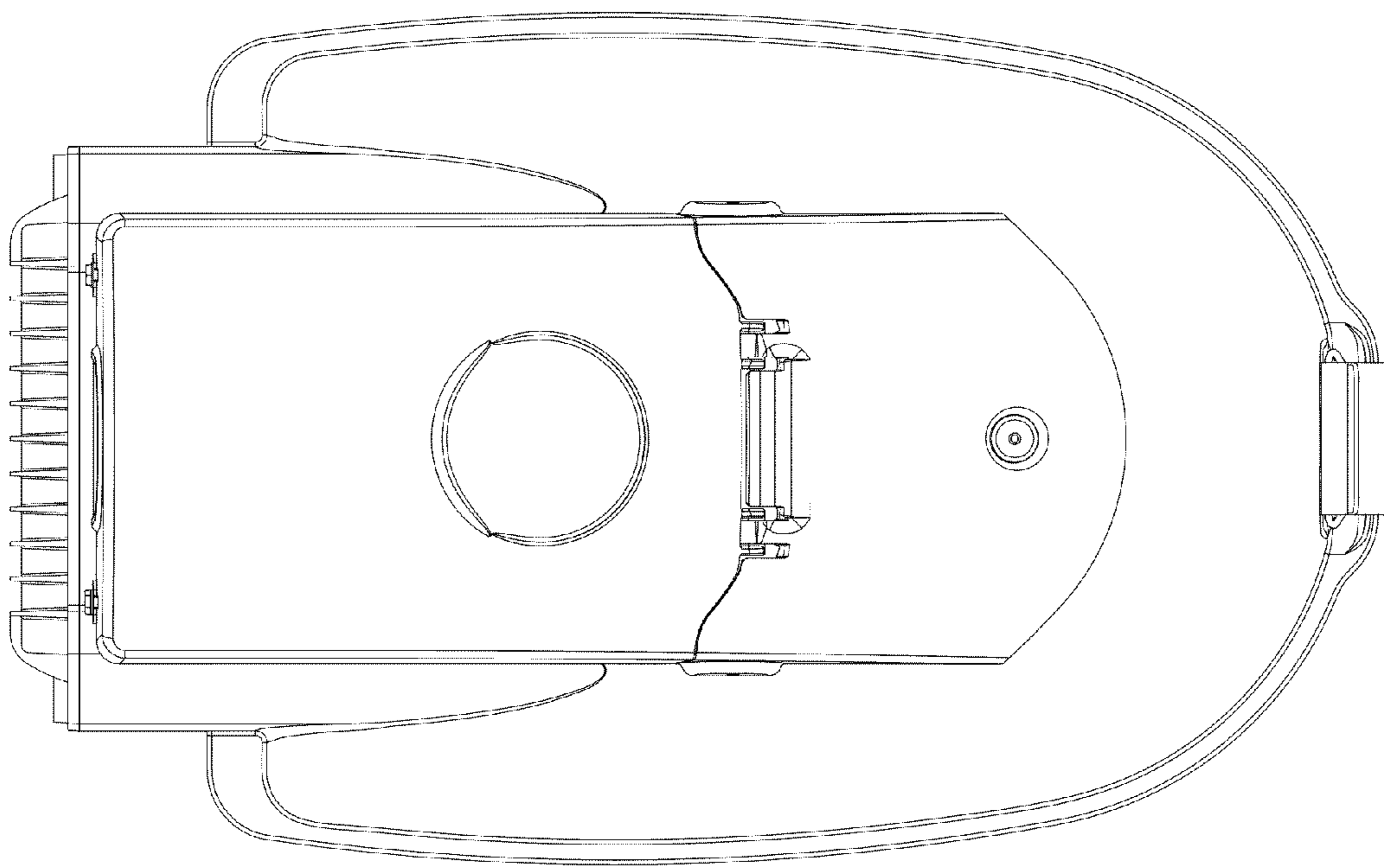


FIG. 6

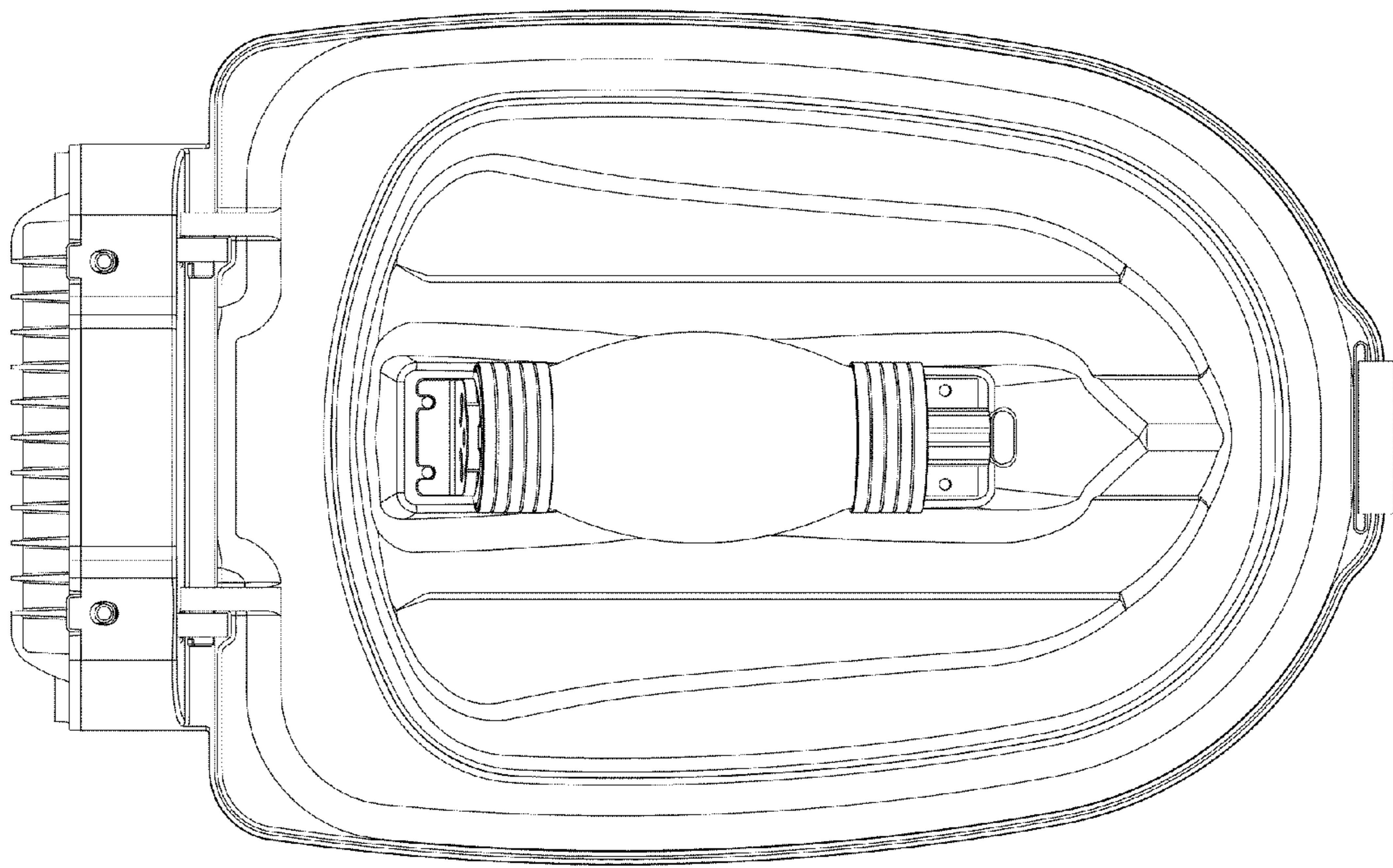


FIG. 7