



US00D647655S

(12) **United States Design Patent**  
**Lin**

(10) **Patent No.:** **US D647,655 S**

(45) **Date of Patent:** **\*\* Oct. 25, 2011**

(54) **LAMP**

(76) **Inventor:** **Chia-Yun Lin**, Taichung (TW)

(\*\*) **Term:** **14 Years**

(21) **Appl. No.:** **29/353,343**

(22) **Filed:** **Jan. 7, 2010**

(51) **LOC (9) Cl.** ..... **26-05**

(52) **U.S. Cl.** ..... **D26/60**

(58) **Field of Classification Search** ..... D26/60-66,  
D26/51, 34, 37-39; 362/396, 319, 418, 800,  
362/98, 99, 190, 191, 197, 198, 277, 285,  
362/105, 109, 119, 120, 157, 640, 194, 195;  
D8/87, 72

See application file for complete search history.

(56) **References Cited**

**U.S. PATENT DOCUMENTS**

D160,706	S	*	10/1950	Hettrick	.....	D8/87
D160,707	S	*	10/1950	Hettrick	.....	D8/87
D574,983	S	*	8/2008	Rachwal et al.	.....	D26/37
D585,576	S	*	1/2009	Chisholm	.....	D26/39
7,674,002	B1	*	3/2010	Wang	.....	362/183
7,703,952	B2	*	4/2010	Yoon	.....	362/396

D621,081	S	*	8/2010	Abernethy et al.	.....	D26/60
D625,449	S	*	10/2010	Rueping	.....	D26/60
2002/0105797	A1	*	8/2002	Navid et al.	.....	362/120

\* cited by examiner

*Primary Examiner* — Susan M Lee

*Assistant Examiner* — Linda G. Brooks

(74) *Attorney, Agent, or Firm* — C. G. Mersereau; Nikolai & Mersereau, P.A.

(57) **CLAIM**

The ornamental design for a lamp, as shown and described.

**DESCRIPTION**

FIG. 1 is a perspective view of a lamp, showing my new design;

FIG. 2 is a rear perspective view thereof;

FIG. 3 is a front view thereof;

FIG. 4 is a rear view thereof;

FIG. 5 is a left side view thereof;

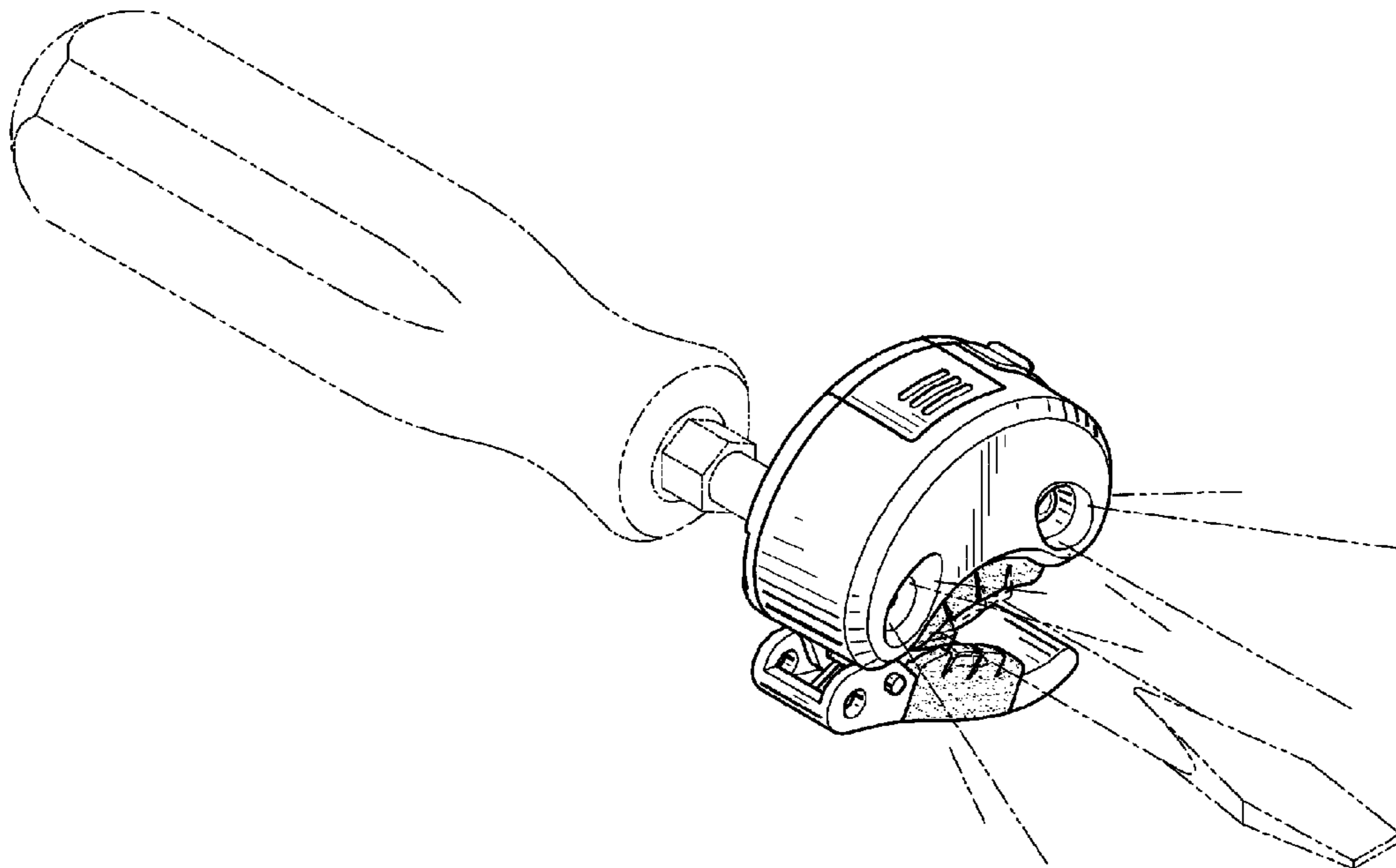
FIG. 6 is a right side view thereof;

FIG. 7 is a top view thereof;

FIG. 8 is a bottom view thereof; and,

FIG. 9 is an operational perspective view thereof, wherein the broken lines are shown for illustrative purposes only and form no part of the claimed design.

**1 Claim, 6 Drawing Sheets**



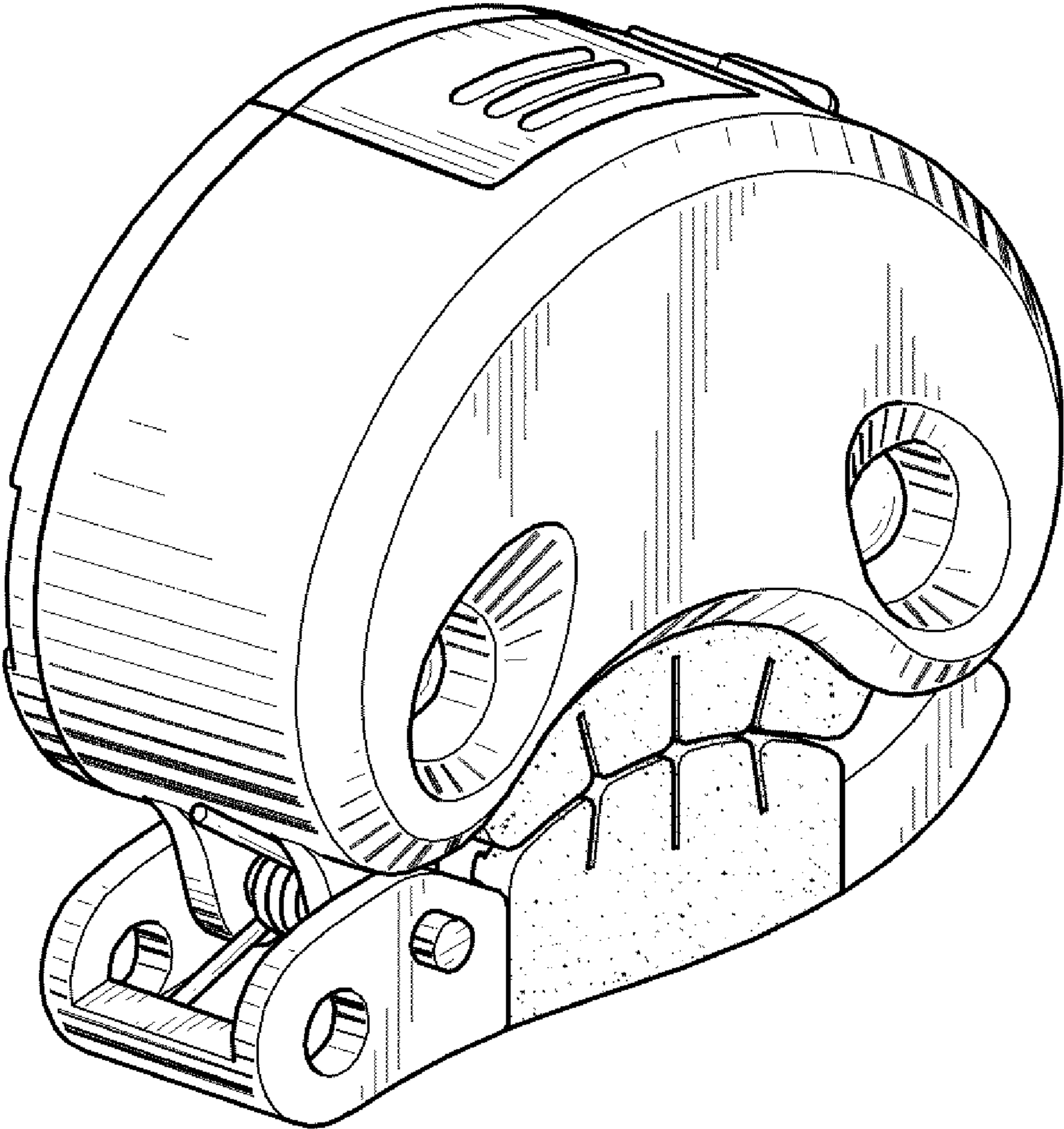


FIG.1

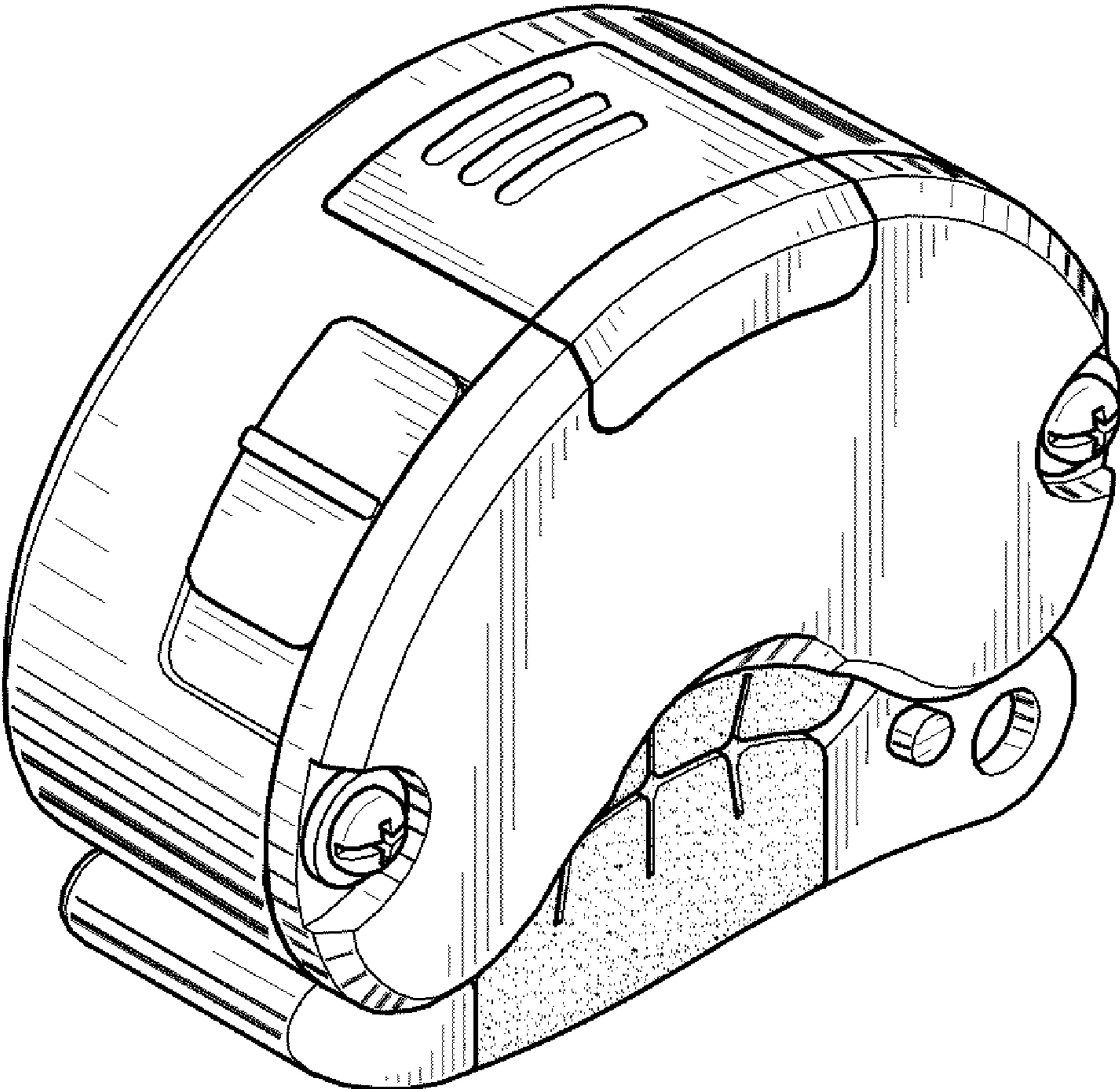


FIG.2

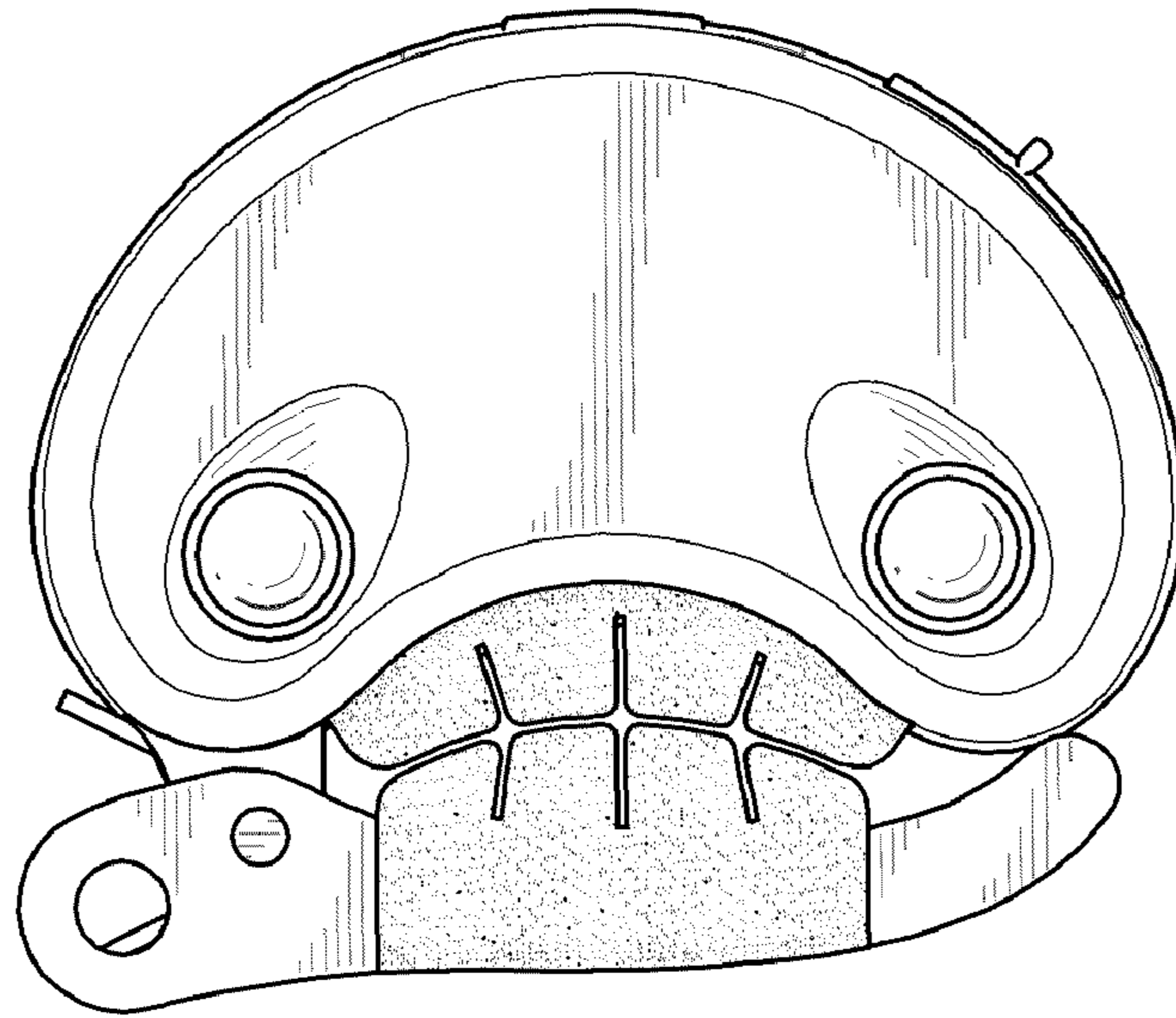


FIG.3

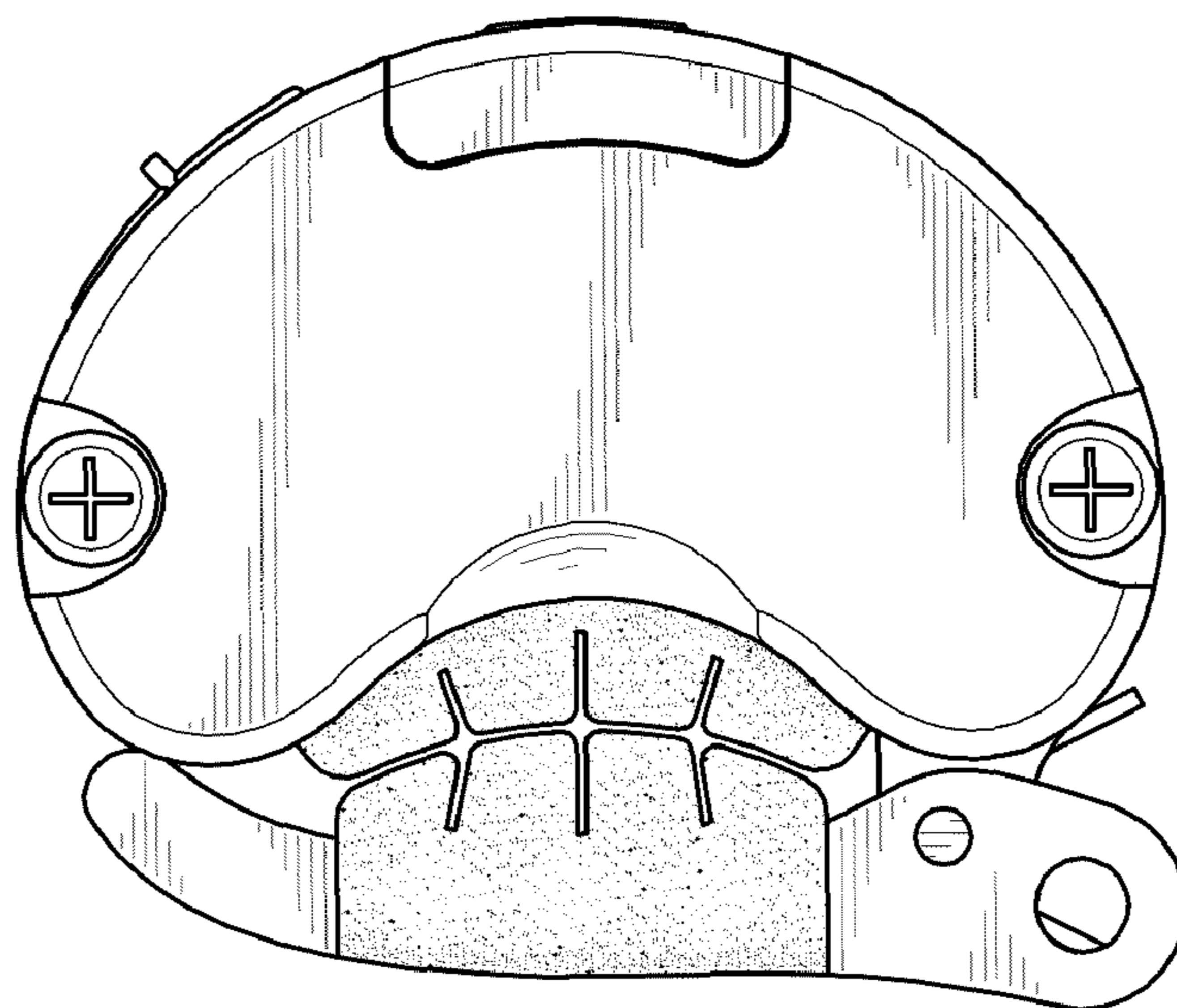


FIG.4

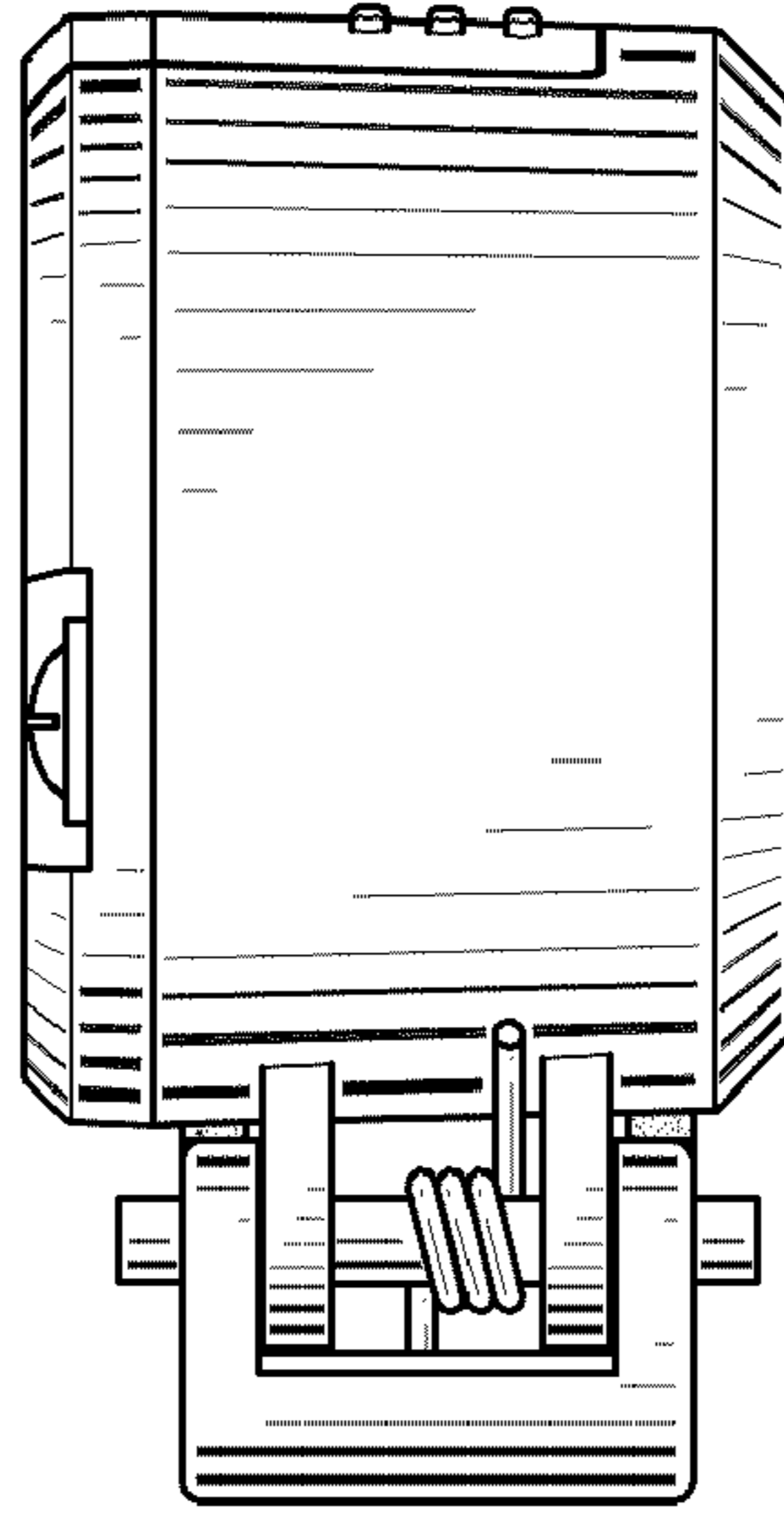


FIG. 5

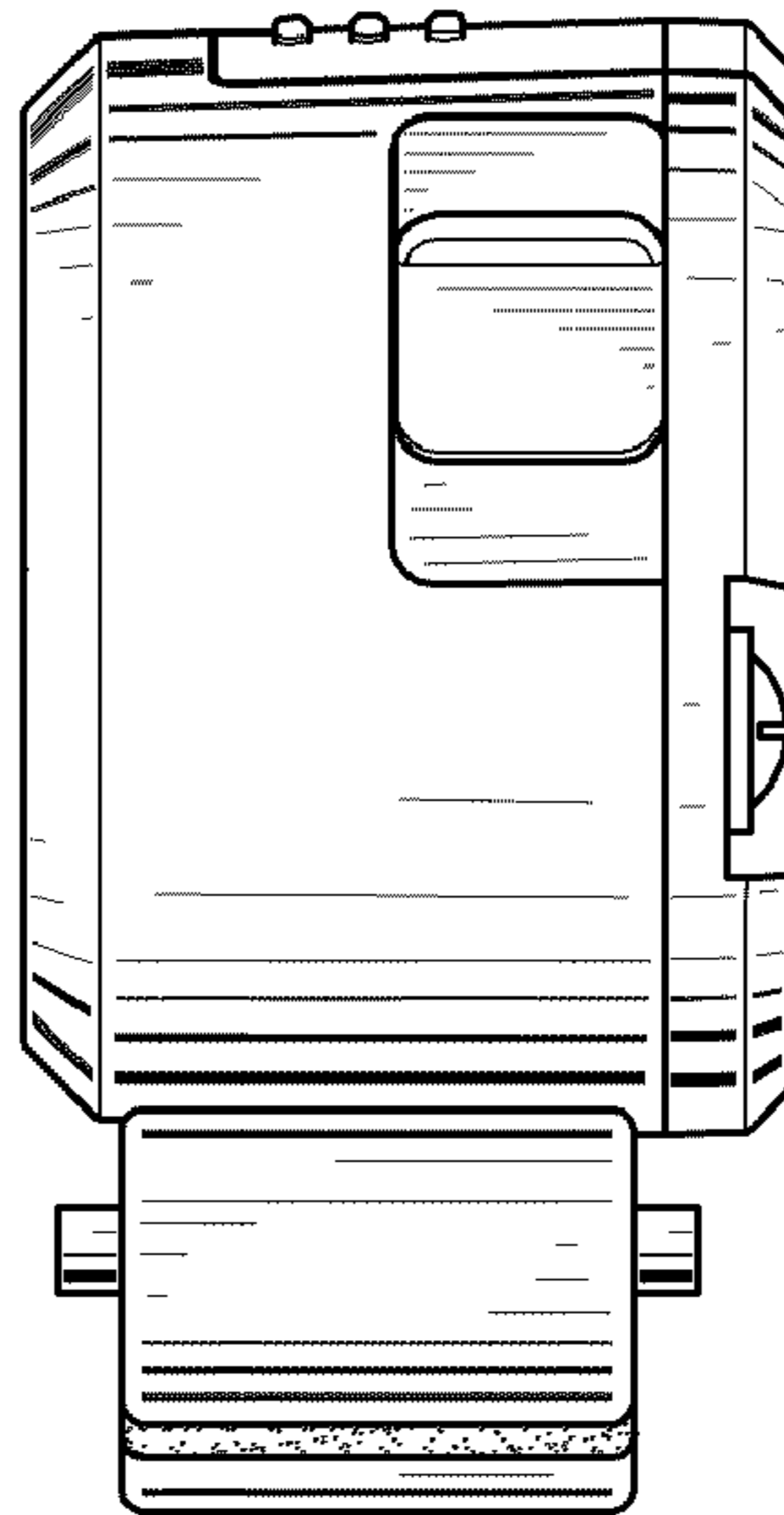


FIG. 6

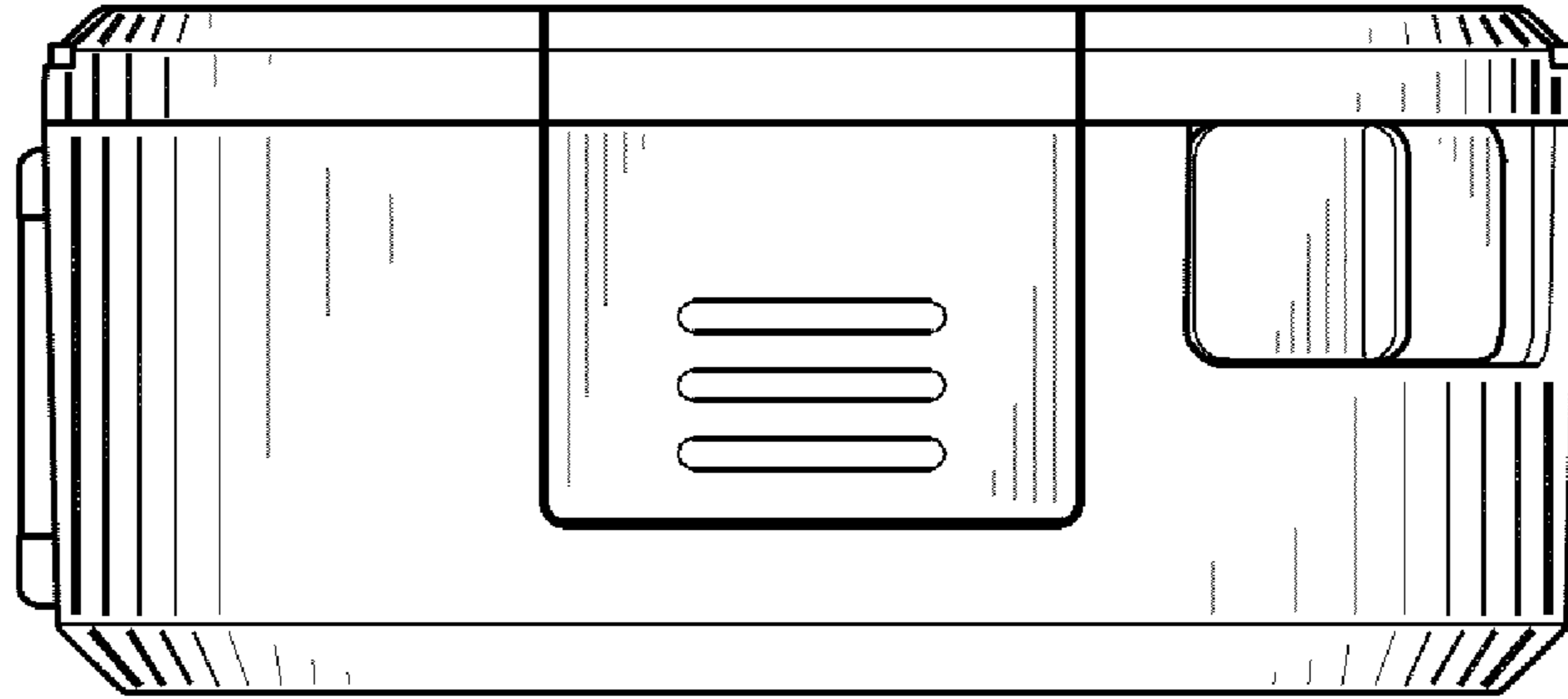


FIG. 7

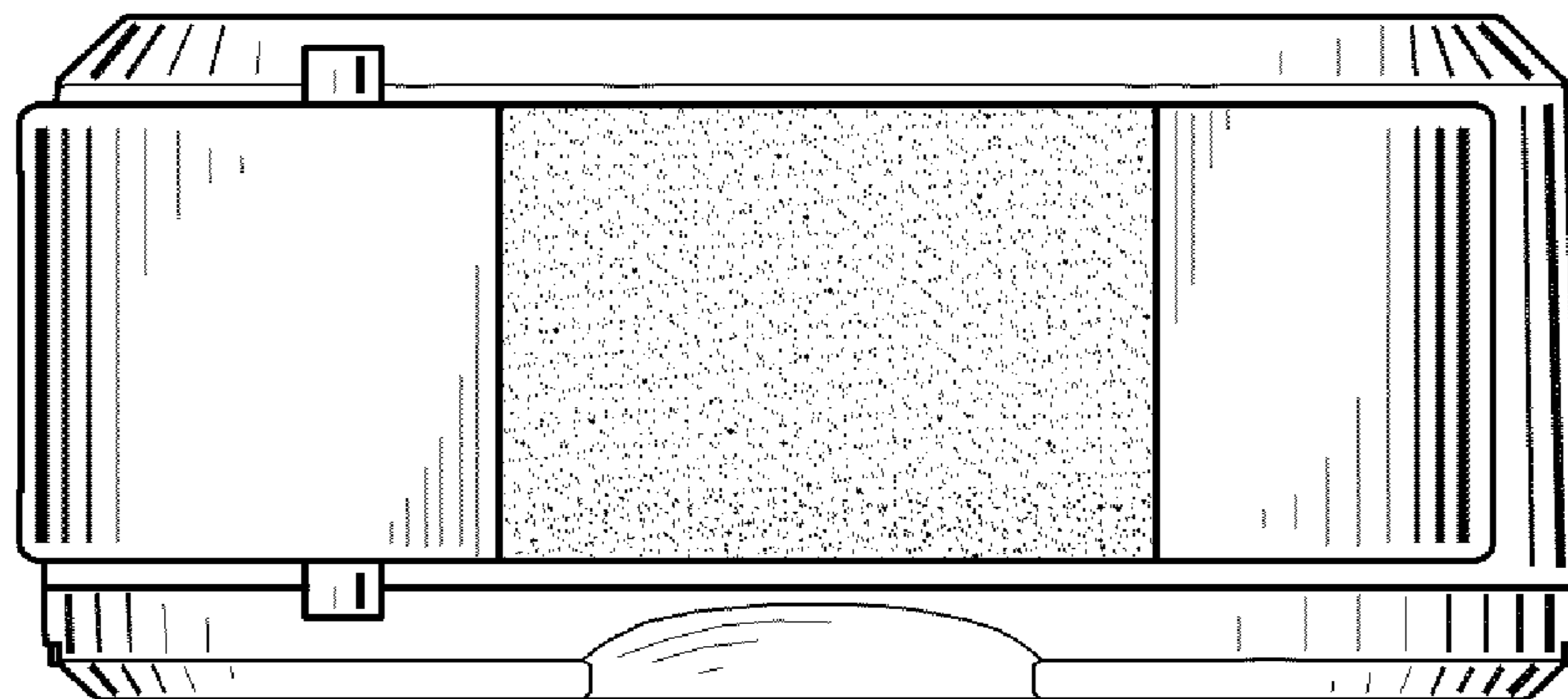


FIG. 8

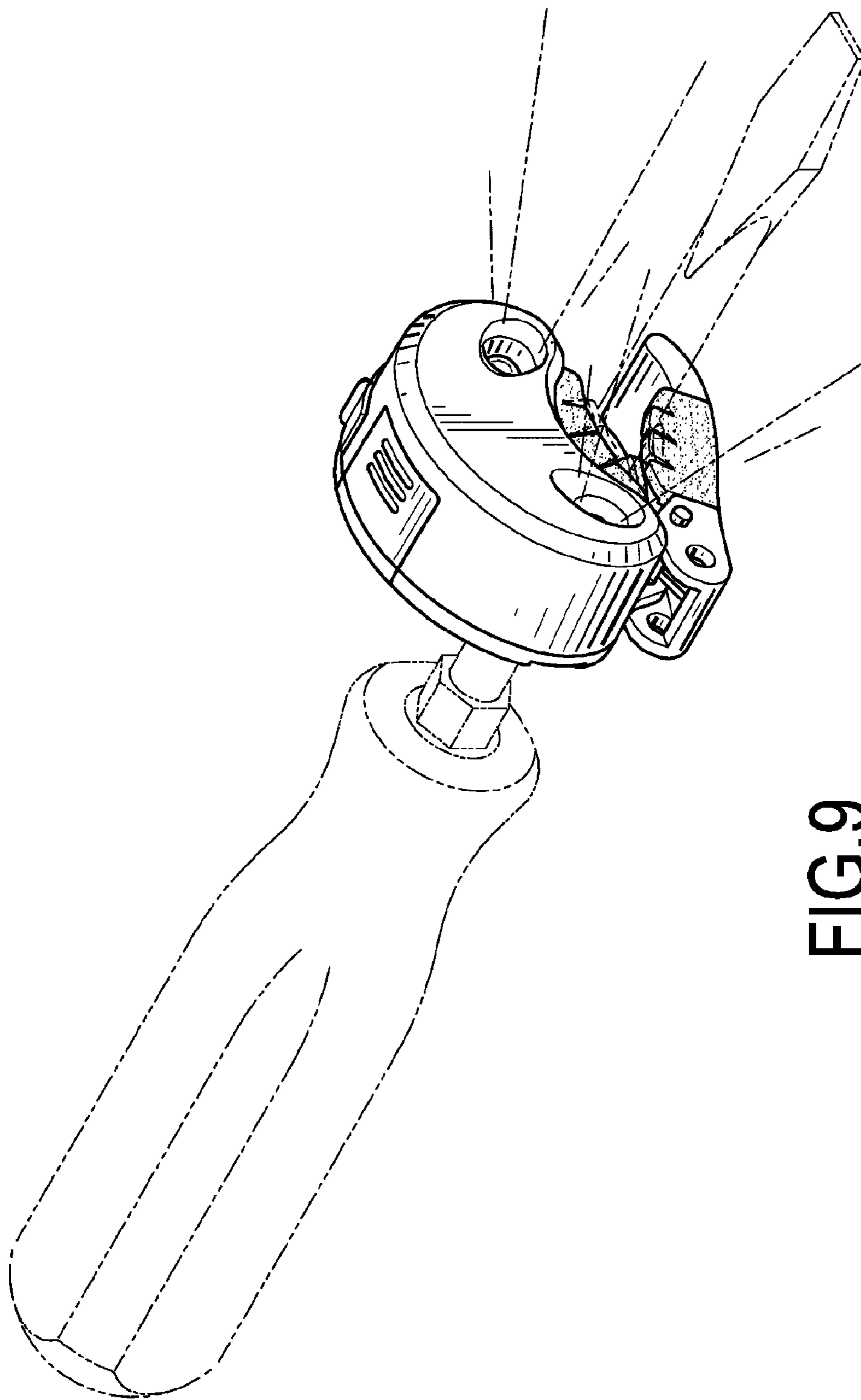


FIG.9