



US00D647654S

(12) **United States Design Patent**
Li

(10) **Patent No.:** **US D647,654 S**

(45) **Date of Patent:** **** Oct. 25, 2011**

(54) **FLASHLIGHT FOR VEHICLE RE-CHARGER**

(76) Inventor: **Hsi To Li**, Taipei (TW)

(**) Term: **14 Years**

(21) Appl. No.: **29/384,512**

(22) Filed: **Jan. 31, 2011**

(51) **LOC (9) Cl.** **24-02**

(52) **U.S. Cl.** **D26/49**

(58) **Field of Classification Search** D26/37,
D26/46, 48, 49, 50; 362/157, 158, 183, 184,
362/190, 194, 195, 196, 202-208

See application file for complete search history.

(56) **References Cited**

U.S. PATENT DOCUMENTS

| | | | | |
|--------------|--------|-------|-------|--------|
| D544,622 S * | 6/2007 | Cheng | | D26/46 |
| D574,528 S * | 8/2008 | Witte | | D26/49 |
| D585,577 S * | 1/2009 | Bonis | | D26/49 |
| D586,025 S * | 2/2009 | Bonis | | D26/49 |
| D590,084 S * | 4/2009 | Witte | | D26/46 |

| | | | | |
|--------------|--------|---------------|-------|--------|
| D595,439 S * | 6/2009 | Haight et al. | | D26/49 |
| D596,772 S * | 7/2009 | Chang | | D26/49 |
| D599,928 S * | 9/2009 | Shiu | | D26/49 |

* cited by examiner

Primary Examiner — Ian Simmons

Assistant Examiner — Carissa C Fitts

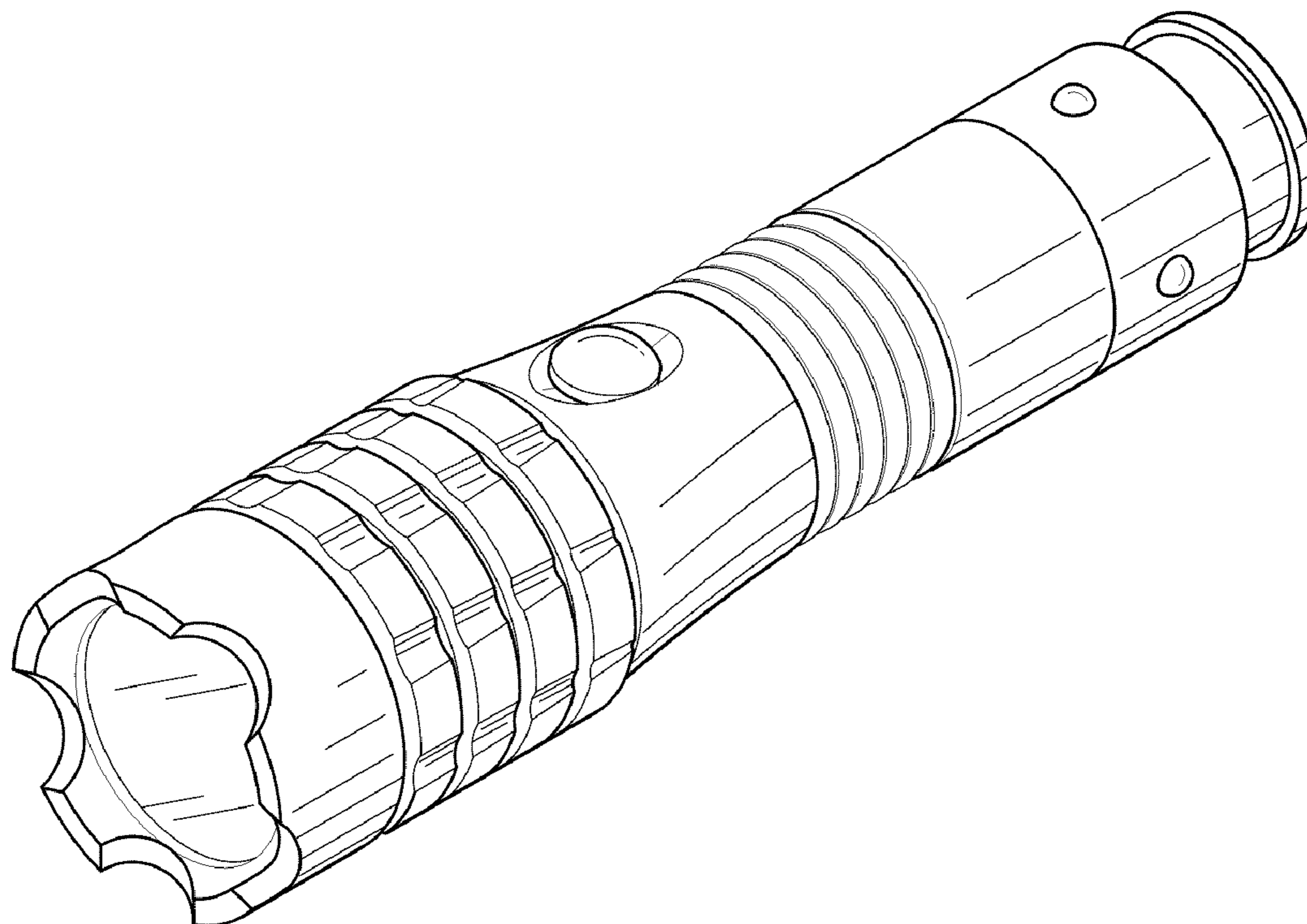
(57) **CLAIM**

The ornamental design for a flashlight for vehicle re-charger, as shown and described.

DESCRIPTION

FIG. 1 is a perspective view of a flashlight for vehicle re-charger showing my new design;
FIG. 2 is a front elevational view of FIG. 1;
FIG. 3 is a rear elevational view of FIG. 1;
FIG. 4 is a left side view of FIG. 1;
FIG. 5 is a right side view of FIG. 1;
FIG. 6 is a top plan view of FIG. 1; and,
FIG. 7 is a bottom plan view of FIG. 1.

1 Claim, 4 Drawing Sheets



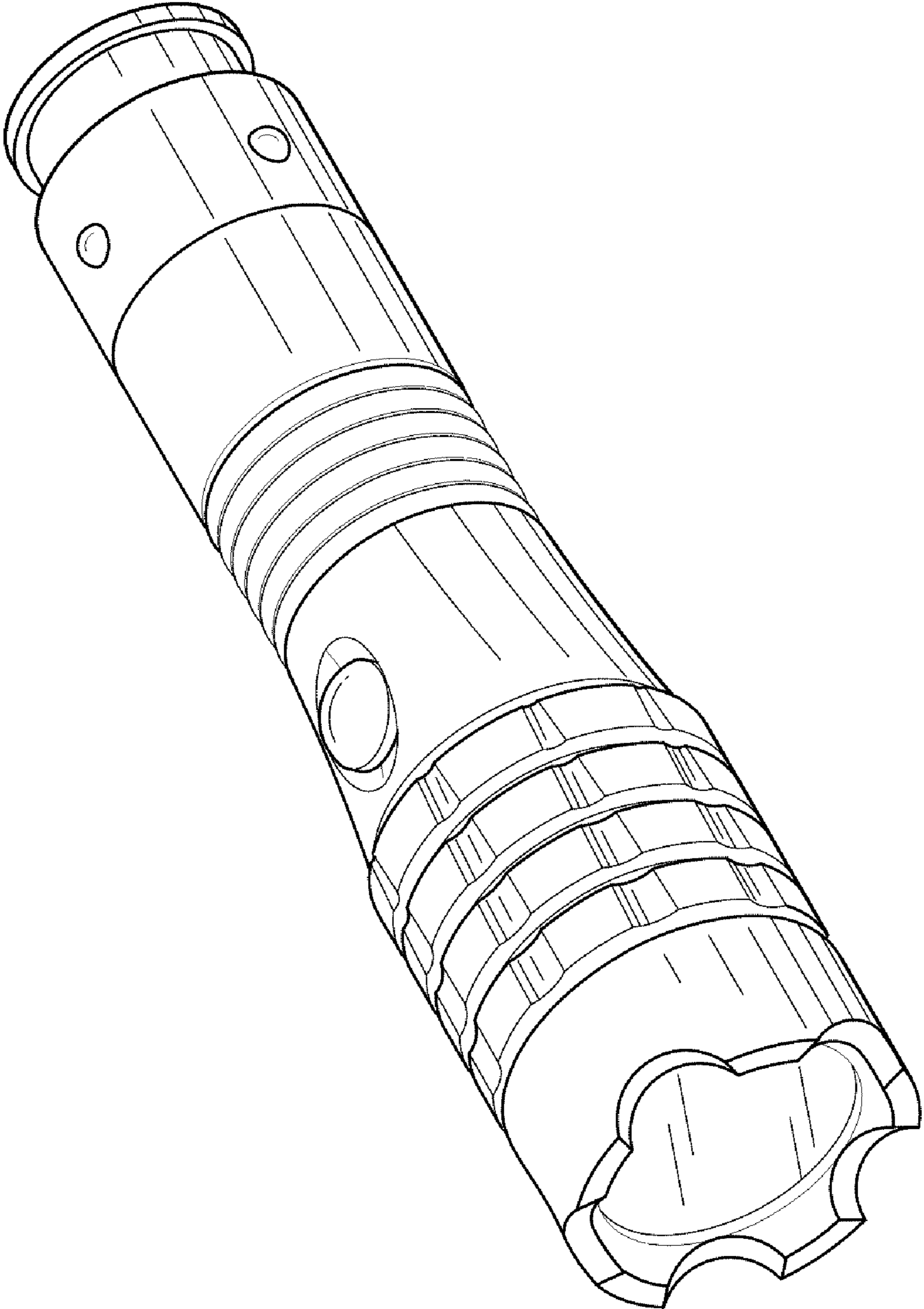


FIG. 1

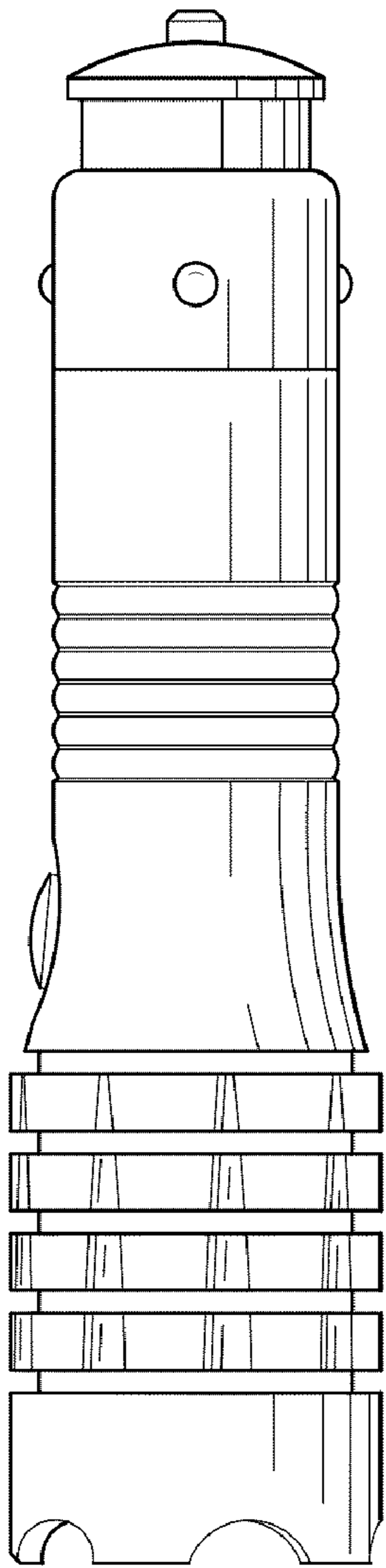


FIG. 2

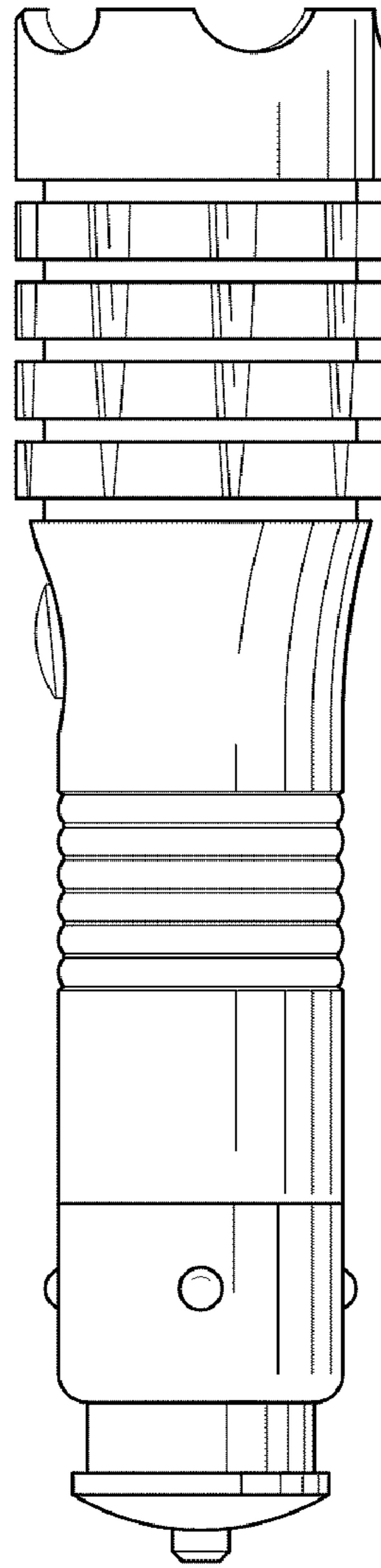


FIG. 3

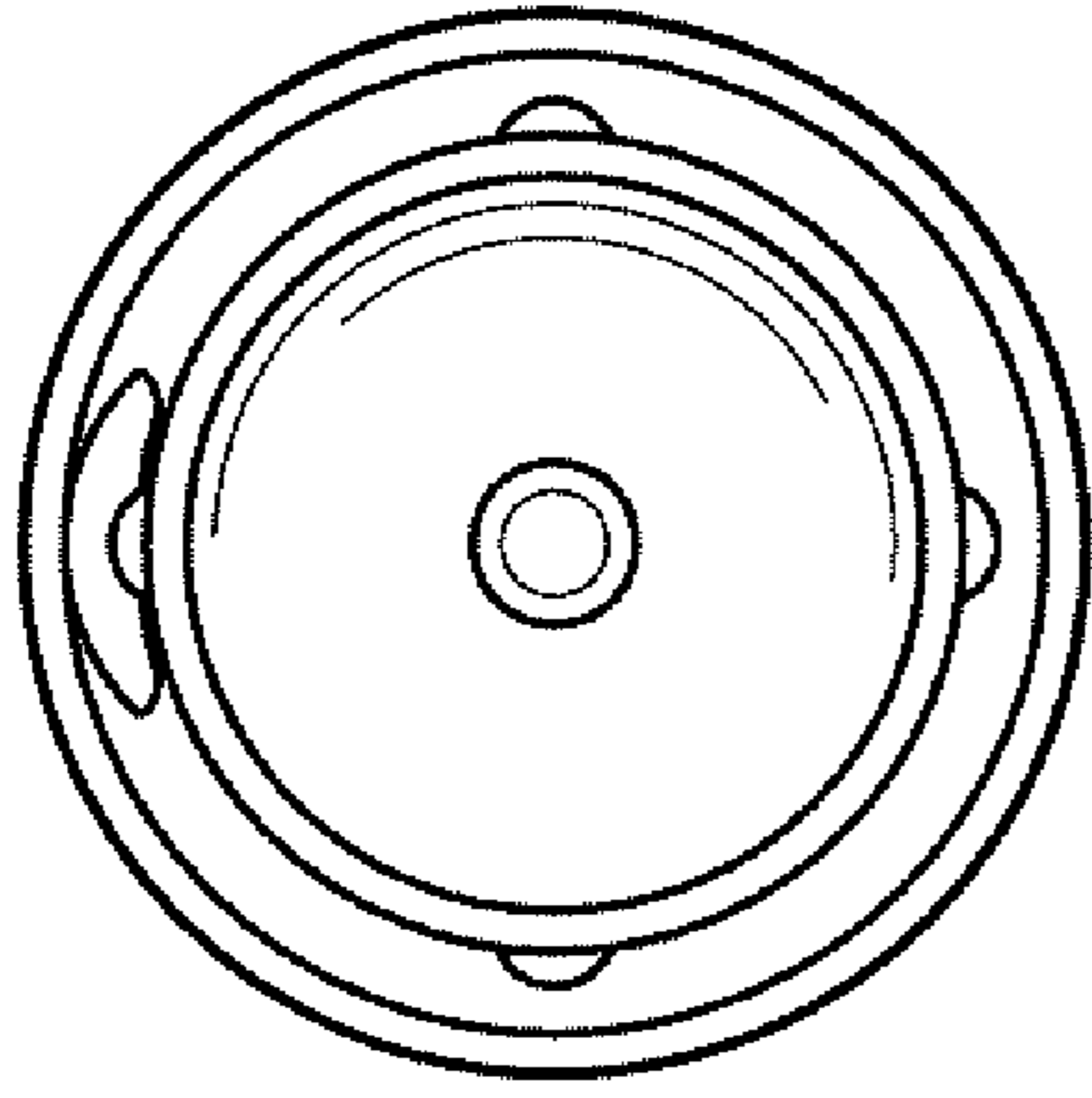


FIG. 5

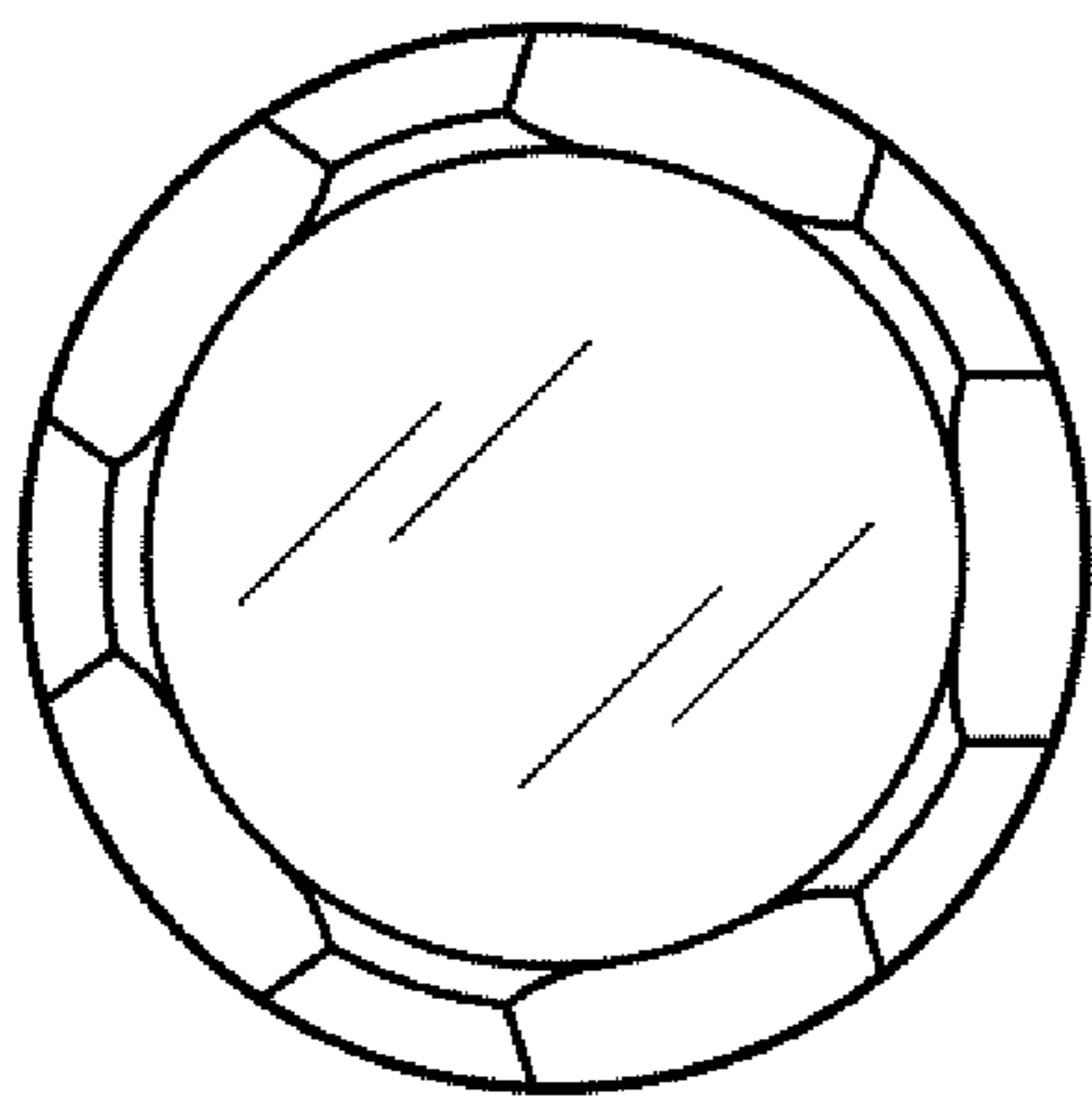


FIG. 4

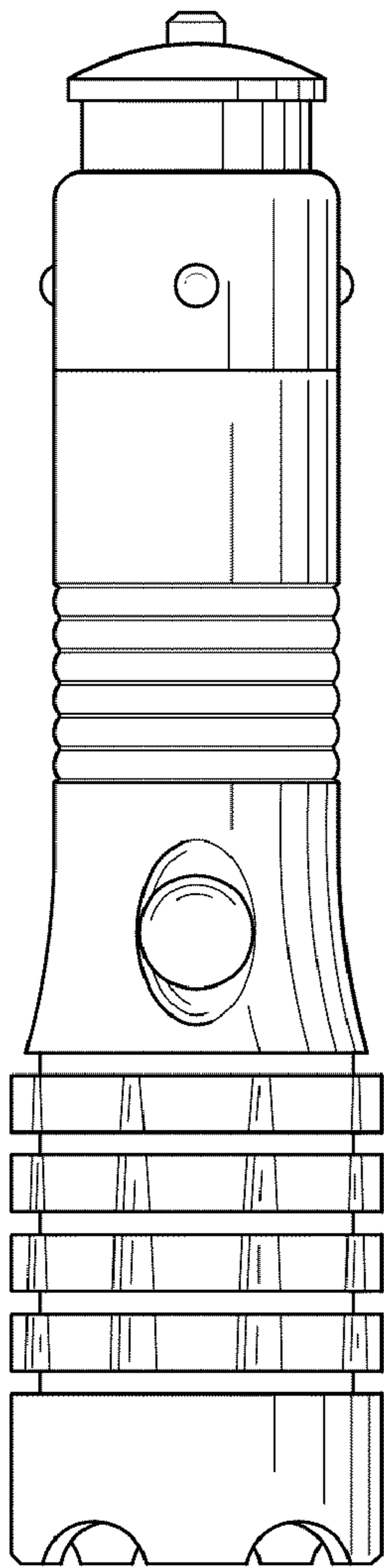


FIG. 6

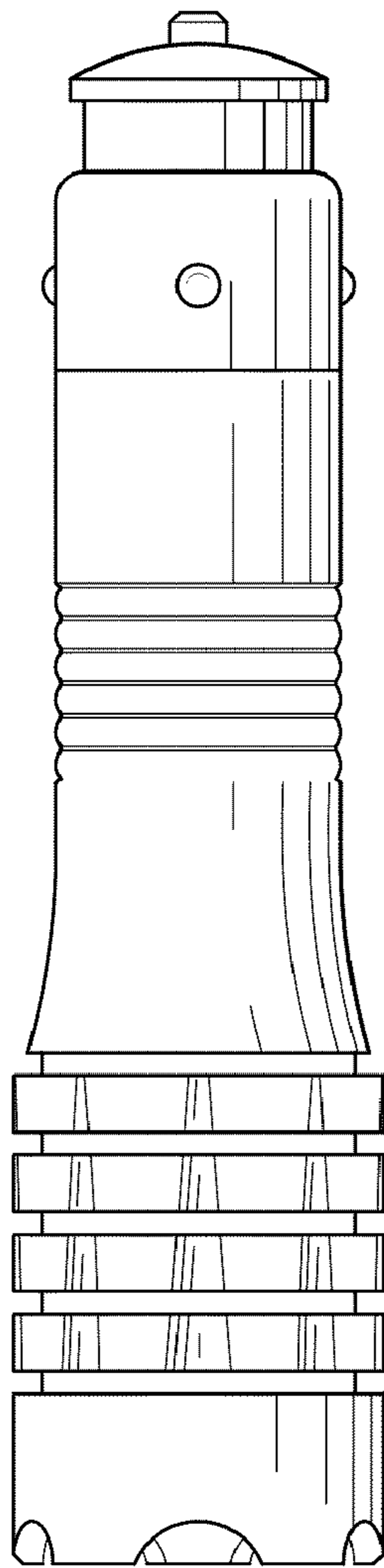


FIG. 7