



US00D647646S

(12) **United States Design Patent**
Tsung

(10) **Patent No.:** **US D647,646 S**

(45) **Date of Patent:** **** Oct. 25, 2011**

(54) **LED LAMP**

(75) Inventor: **Lin Ming Tsung**, Taipei (TW)

(73) Assignee: **Applied Lighting Company**, Sindian Dist., New Taipei (TW)

(**) Term: **14 Years**

(21) Appl. No.: **29/391,579**

(22) Filed: **May 10, 2011**

(51) **LOC (9) Cl.** **26-04**

(52) **U.S. Cl.** **D26/2**

(58) **Field of Classification Search** D26/1-4;
313/313, 315, 316, 317, 318, 493; 315/52,
315/53, 56, 57, 58

See application file for complete search history.

(56) **References Cited**

U.S. PATENT DOCUMENTS

D542,943 S * 5/2007 Wang D26/2
D546,980 S * 7/2007 Lo D26/2

D549,854 S * 8/2007 Takahashi D26/2
D566,300 S * 4/2008 Lo D26/2
D582,578 S * 12/2008 Tsai et al. D26/2
D593,223 S * 5/2009 Komar D26/2

* cited by examiner

Primary Examiner — Marcus Jackson

(74) *Attorney, Agent, or Firm* — IPR Works, LLC

(57) **CLAIM**

The ornamental design for an LED lamp, as shown and described.

DESCRIPTION

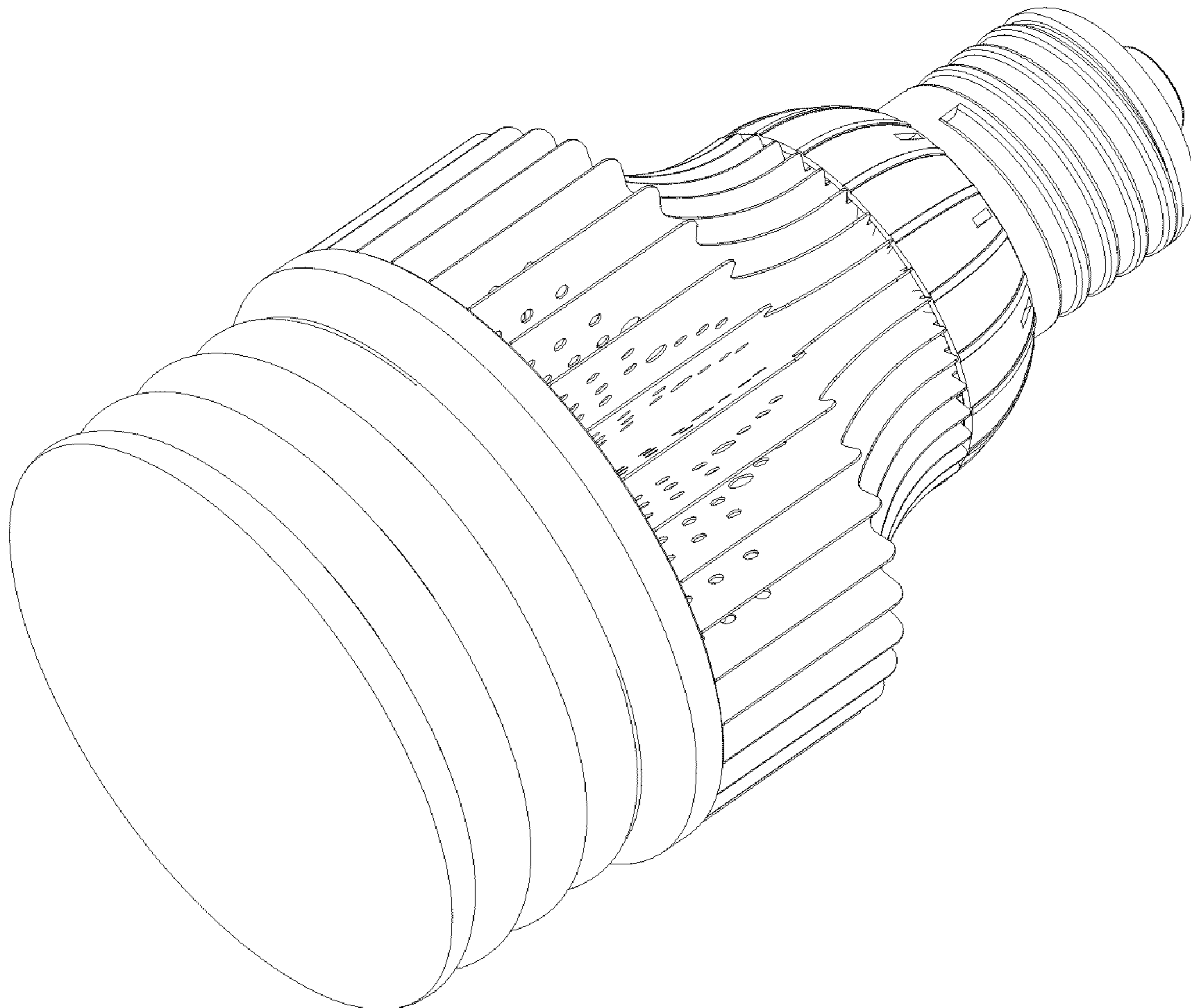
FIG. 1 is a perspective view of an “LED lamp” showing my design;

FIG. 2 is a front plan view thereof; the right, left and rear plan views being symmetrical thereto;

FIG. 3 is a top plan view thereof; and,

FIG. 4 is a bottom plan view thereof.

1 Claim, 3 Drawing Sheets



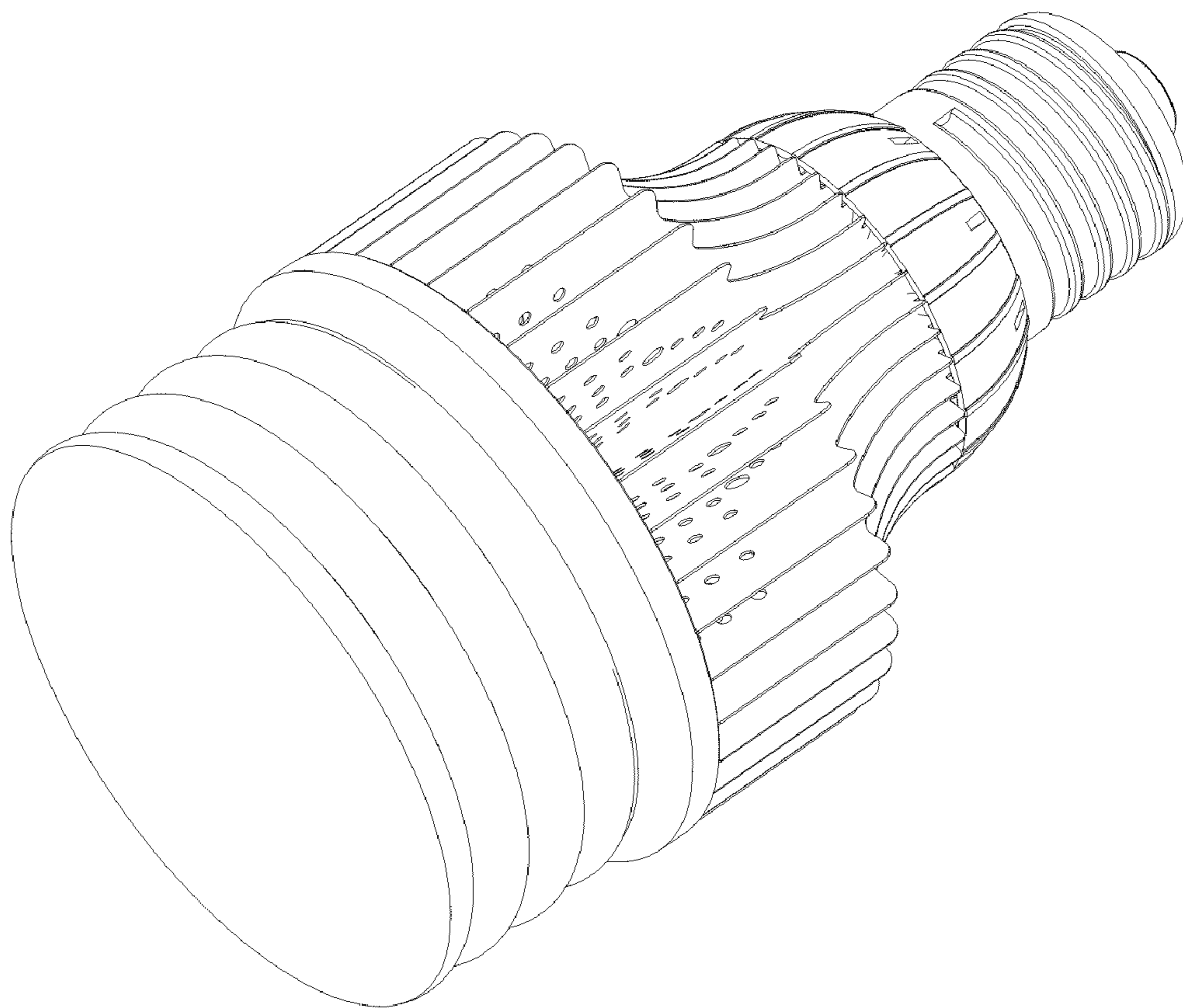


FIG. 1

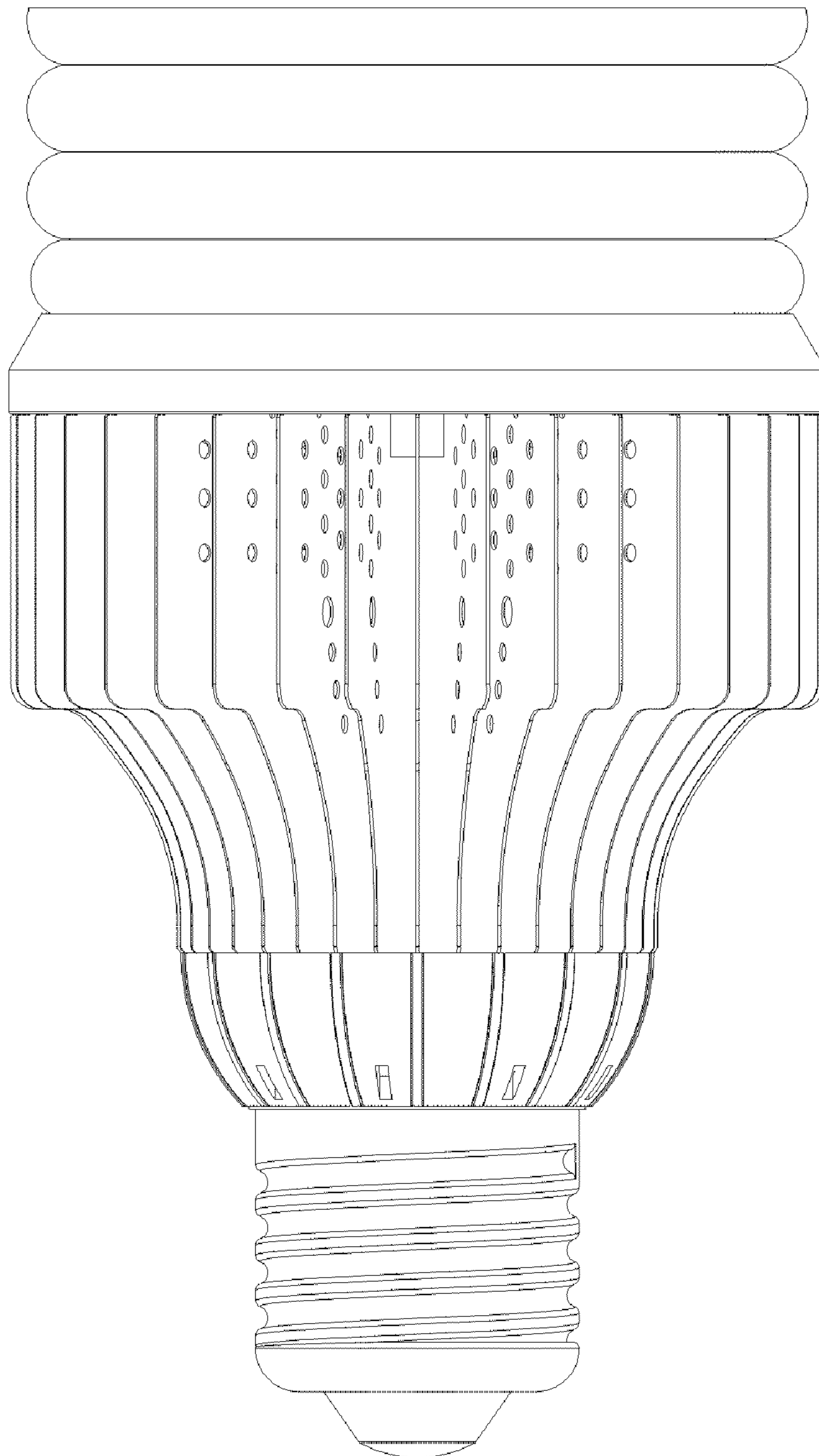


FIG. 2

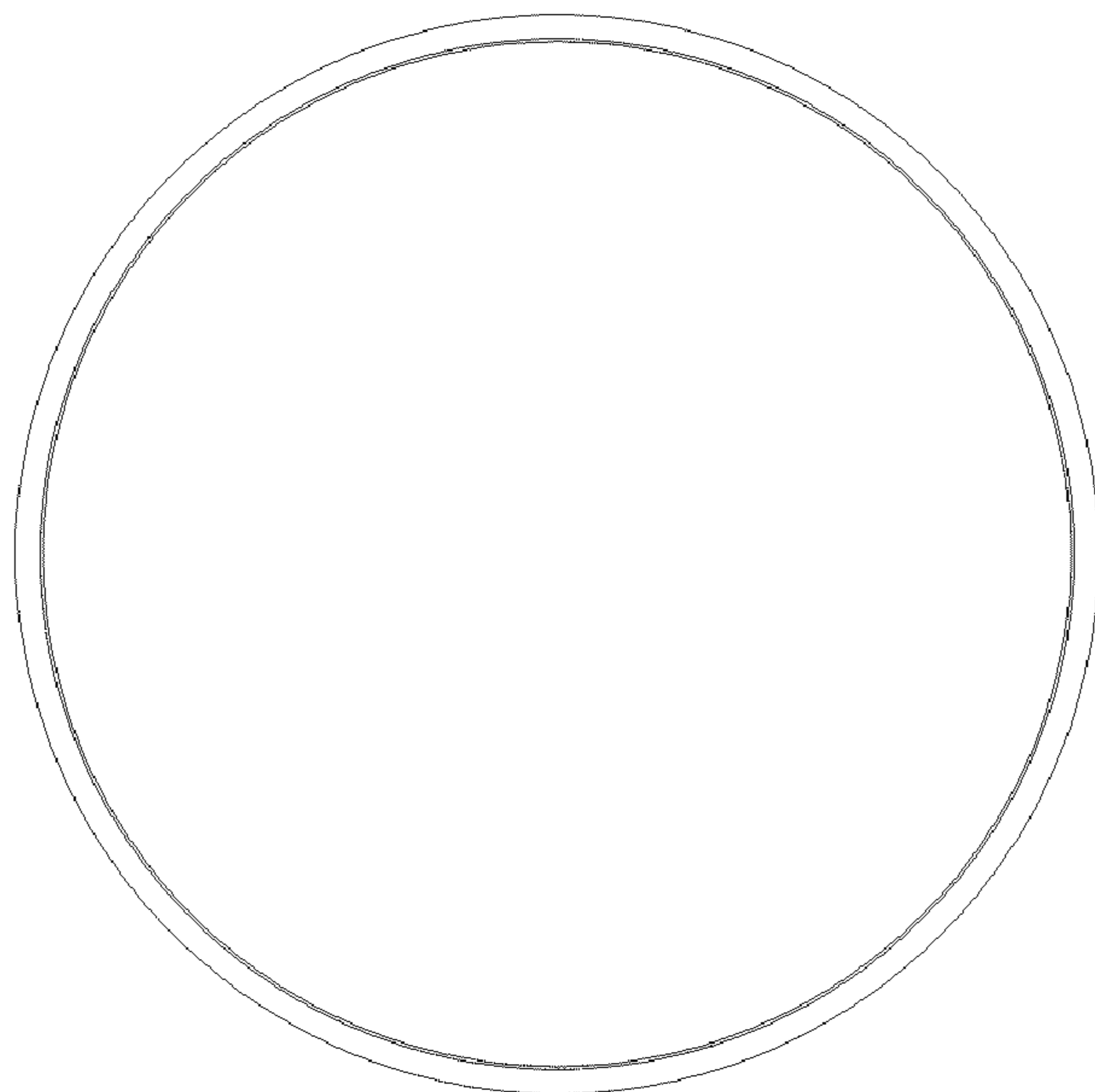


FIG. 3

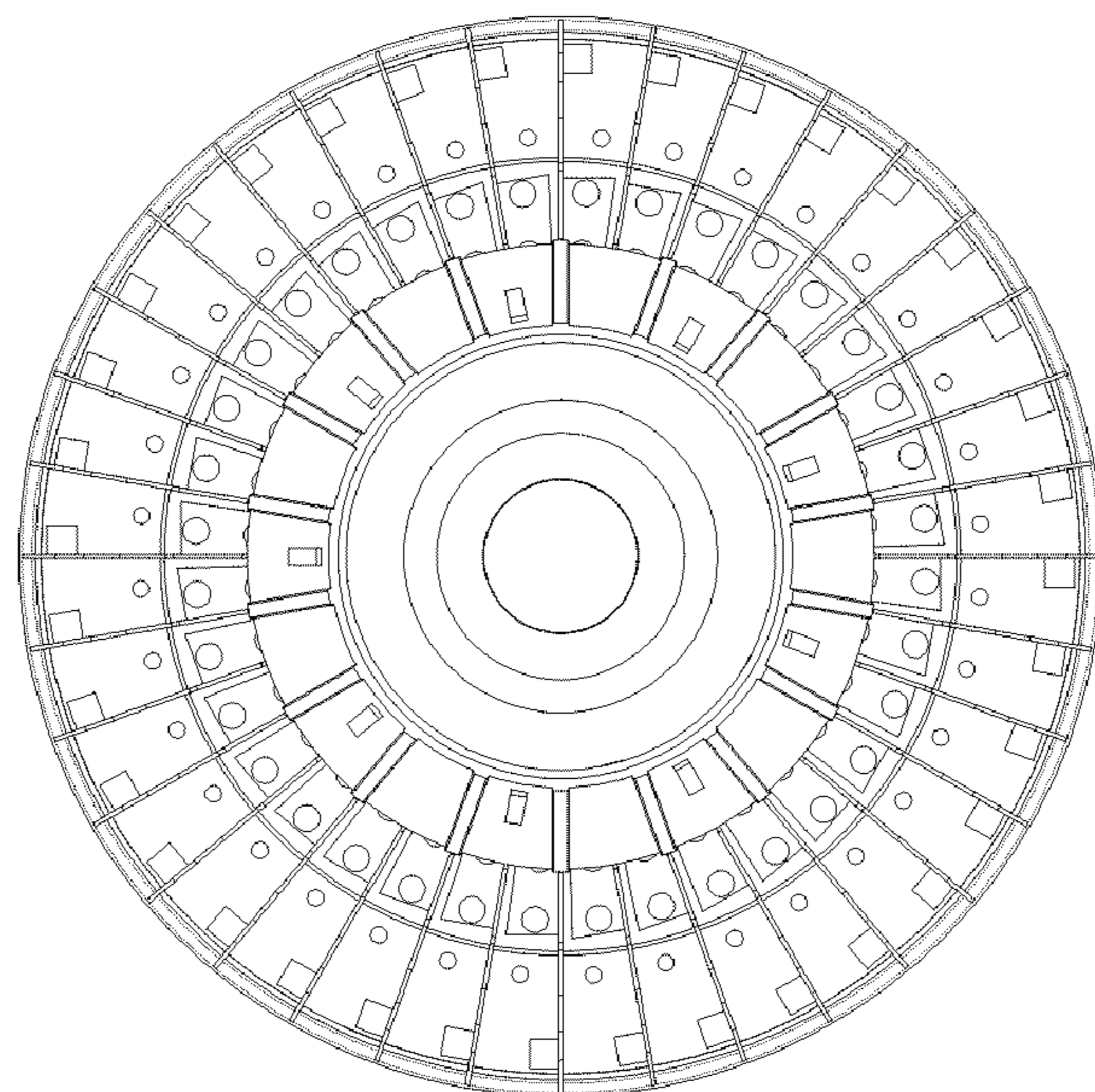


FIG. 4