



US00D647645S

(12) **United States Design Patent**
Kim et al.

(10) **Patent No.:** **US D647,645 S**
(45) **Date of Patent:** **** Oct. 25, 2011**

(54) **LED LAMP**

(75) Inventors: **Jihoo Kim**, Seoul (KR); **Tae Young Choi**, Seoul (KR); **Dong Nyung Lim**, Seoul (KR); **Sung Ho Kim**, Seoul (KR); **Cheonjoo Kim**, Seoul (KR)

(73) Assignee: **LG Innotek Co., Ltd.**, Seoul (KR)

(**) Term: **14 Years**

(21) Appl. No.: **29/389,835**

(22) Filed: **Apr. 18, 2011**

(30) **Foreign Application Priority Data**

Oct. 22, 2010 (KR) 30-2010-0045745

(51) **LOC (9) Cl.** **26-04**

(52) **U.S. Cl.** **D26/2**

(58) **Field of Classification Search** D26/1-4;
313/313, 315, 316, 317, 318, 493; 315/52,
315/53, 56, 57, 58

See application file for complete search history.

(56) **References Cited**

U.S. PATENT DOCUMENTS

D508,575 S * 8/2005 Buschmann et al. D26/2
D528,227 S * 9/2006 Chou et al. D26/2

D531,741 S * 11/2006 Takahashi D26/2
D534,665 S * 1/2007 Egawa et al. D26/2
D538,953 S * 3/2007 Mama D26/2
D541,440 S * 4/2007 Feit D26/2
D553,267 S * 10/2007 Yuen D26/2
D590,523 S * 4/2009 Takahashi D26/2
D615,220 S * 5/2010 Crane et al. D26/2

* cited by examiner

Primary Examiner — Marcus Jackson

(74) *Attorney, Agent, or Firm* — Lowe Hauptman Ham & Benner LLP

(57) **CLAIM**

The ornamental design for a LED lamp, as shown and described.

DESCRIPTION

FIG. 1 is a perspective view of a LED lamp showing our new design;
FIG. 2 is a front elevational view thereof;
FIG. 3 is a rear elevational view thereof;
FIG. 4 is a left side elevational view thereof;
FIG. 5 is a right side elevational view thereof;
FIG. 6 is a top plan view thereof; and,
FIG. 7 is a bottom plan view thereof.
LED is installed in the light emitting part.

1 Claim, 4 Drawing Sheets

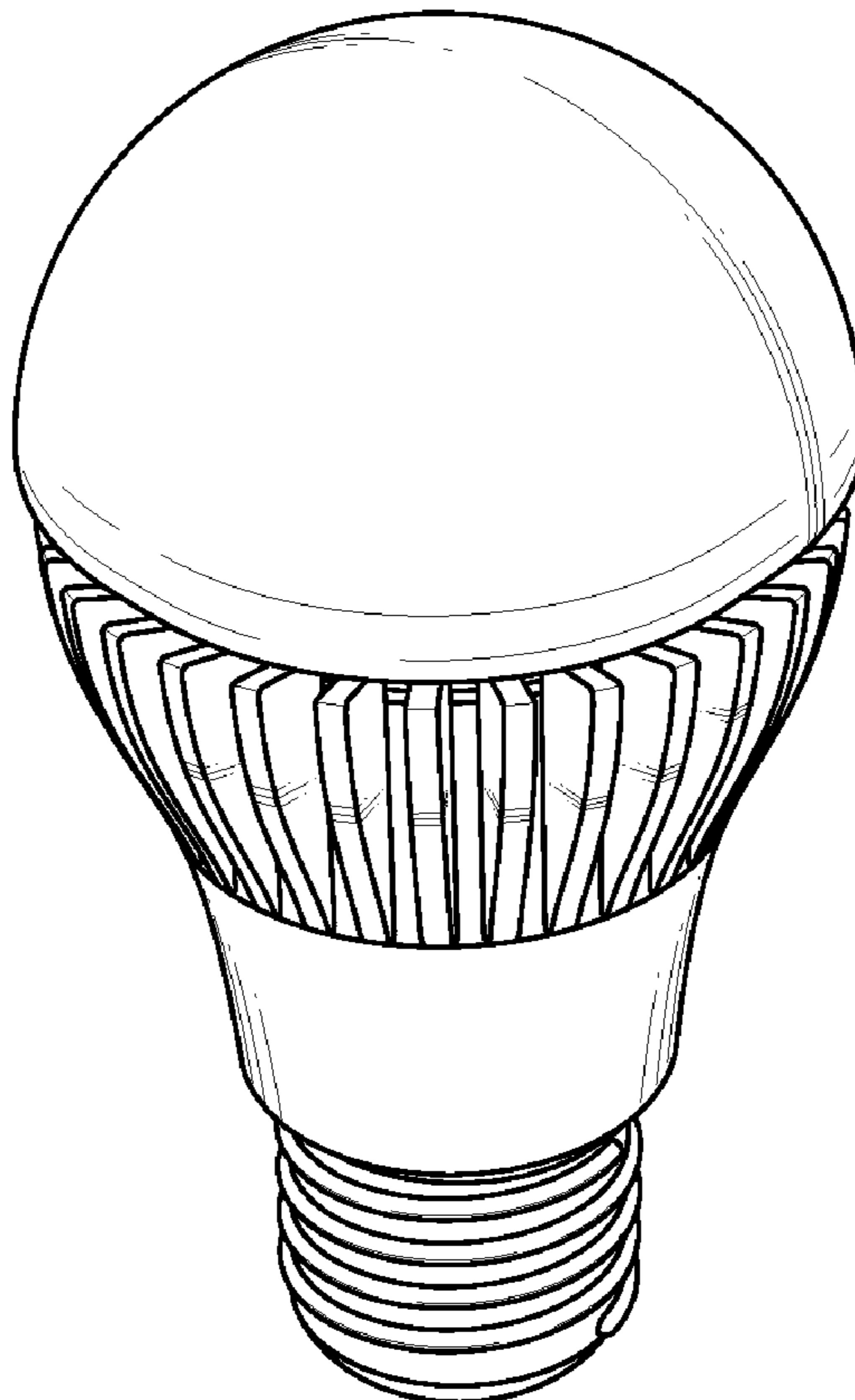


FIG. 1

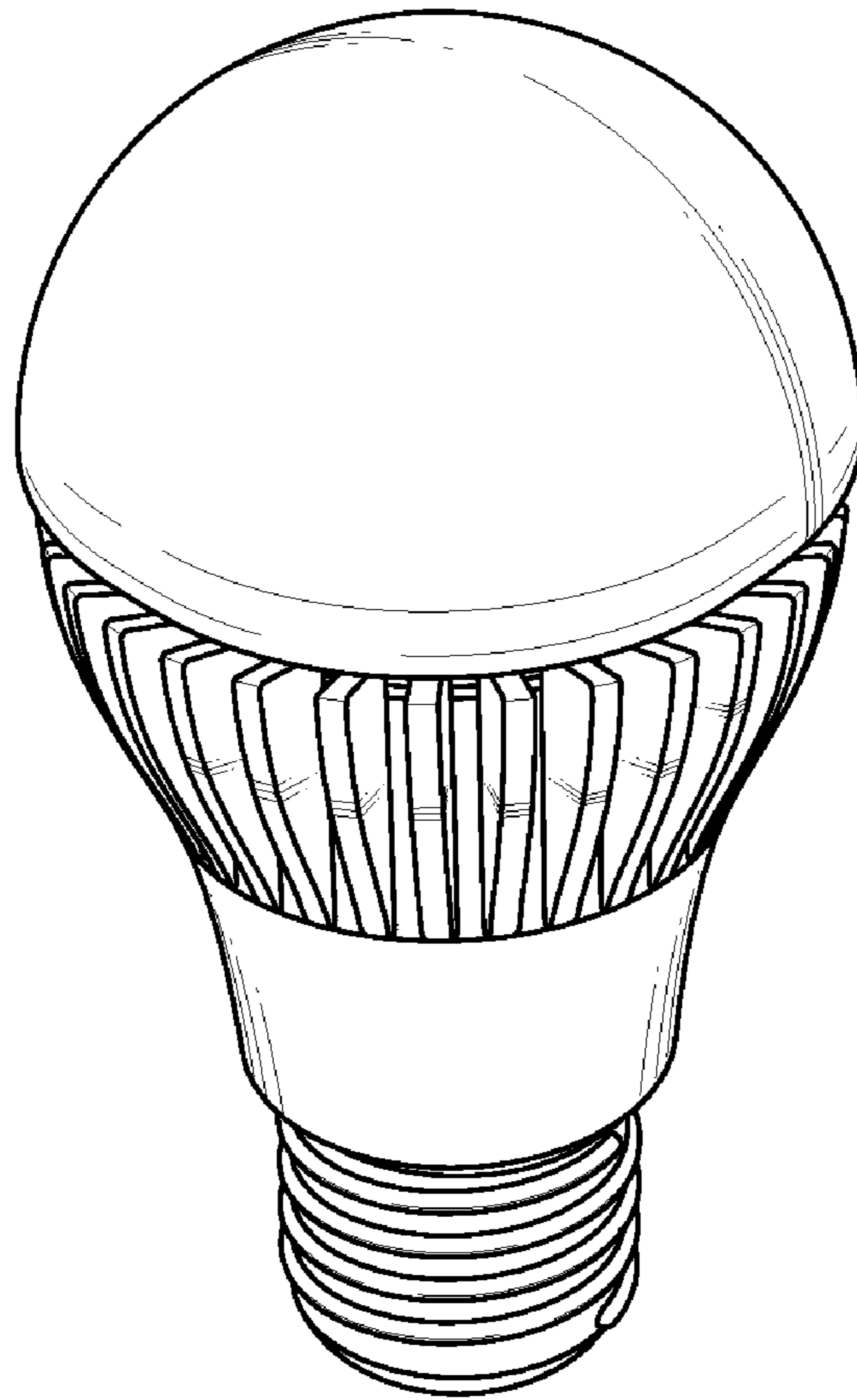


FIG. 2

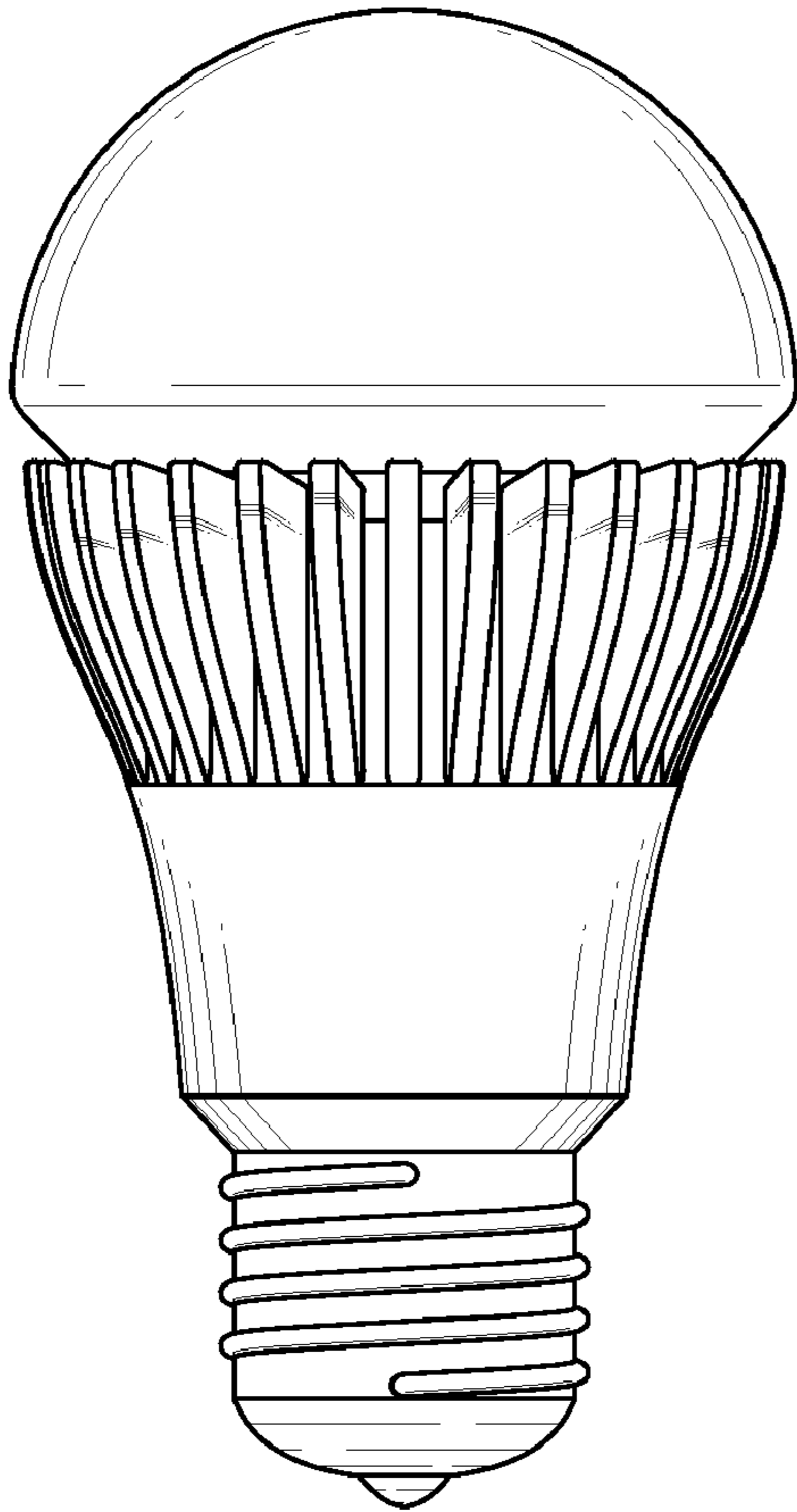


FIG. 3

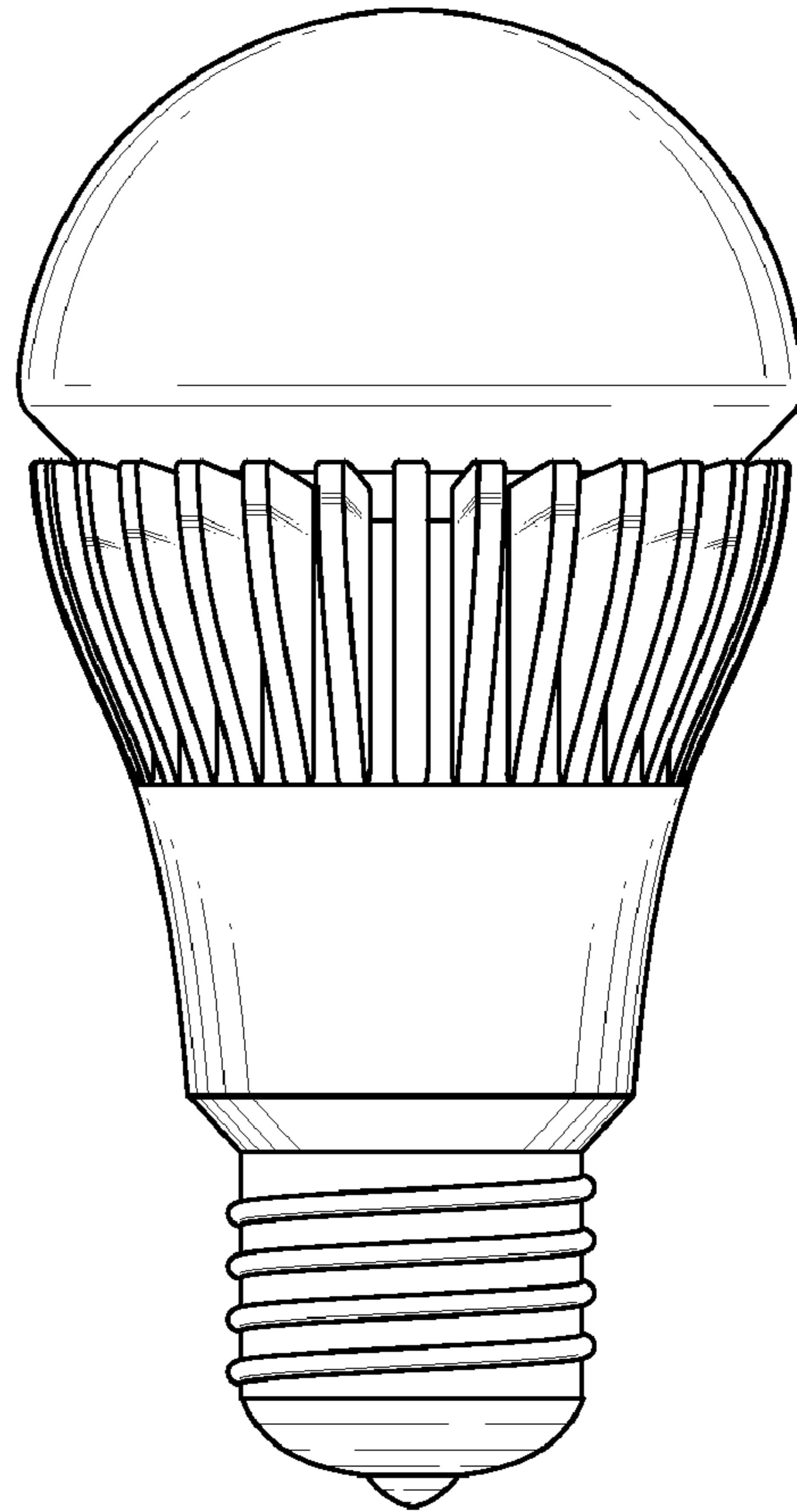


FIG. 4

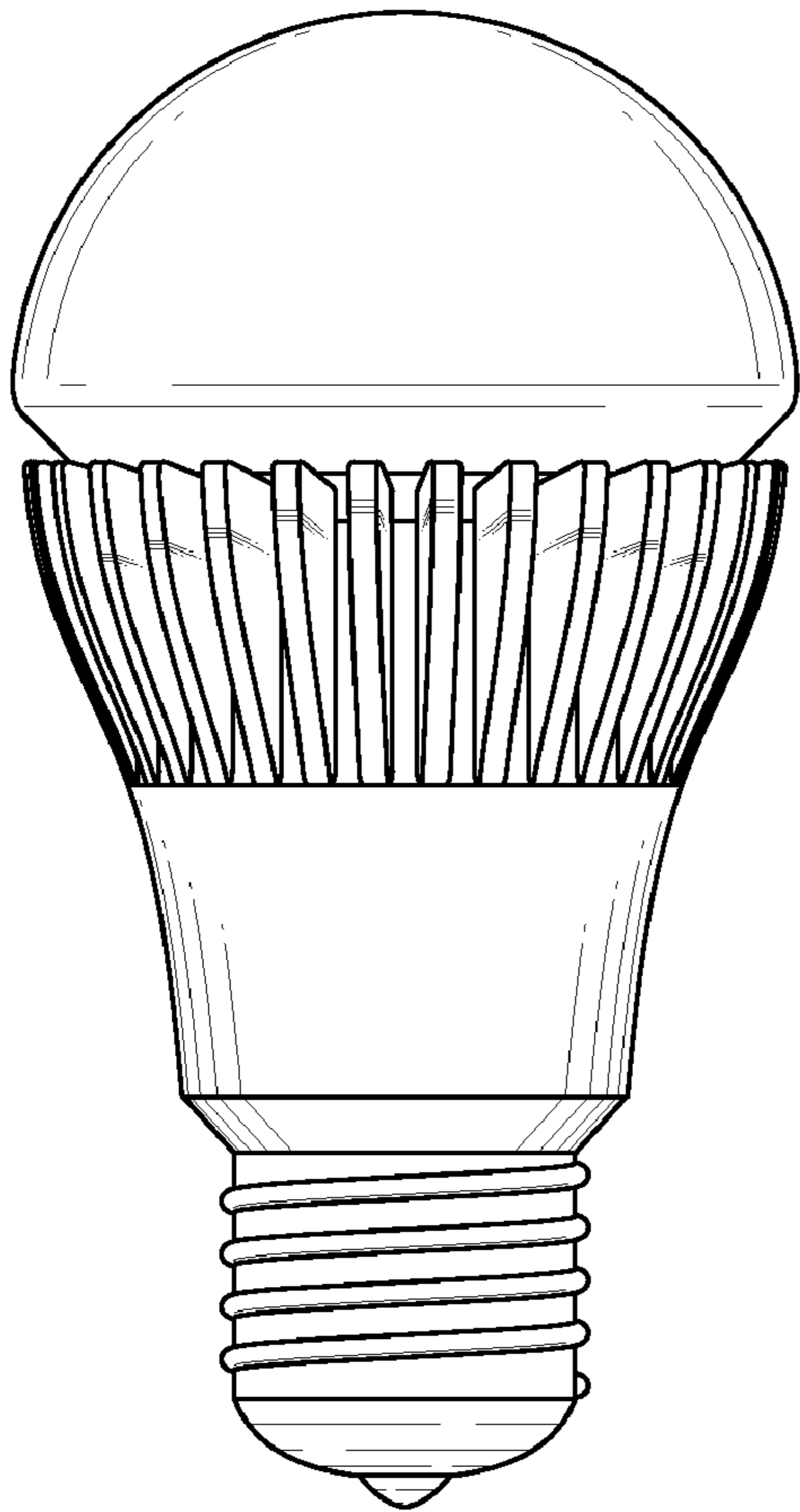


FIG. 5

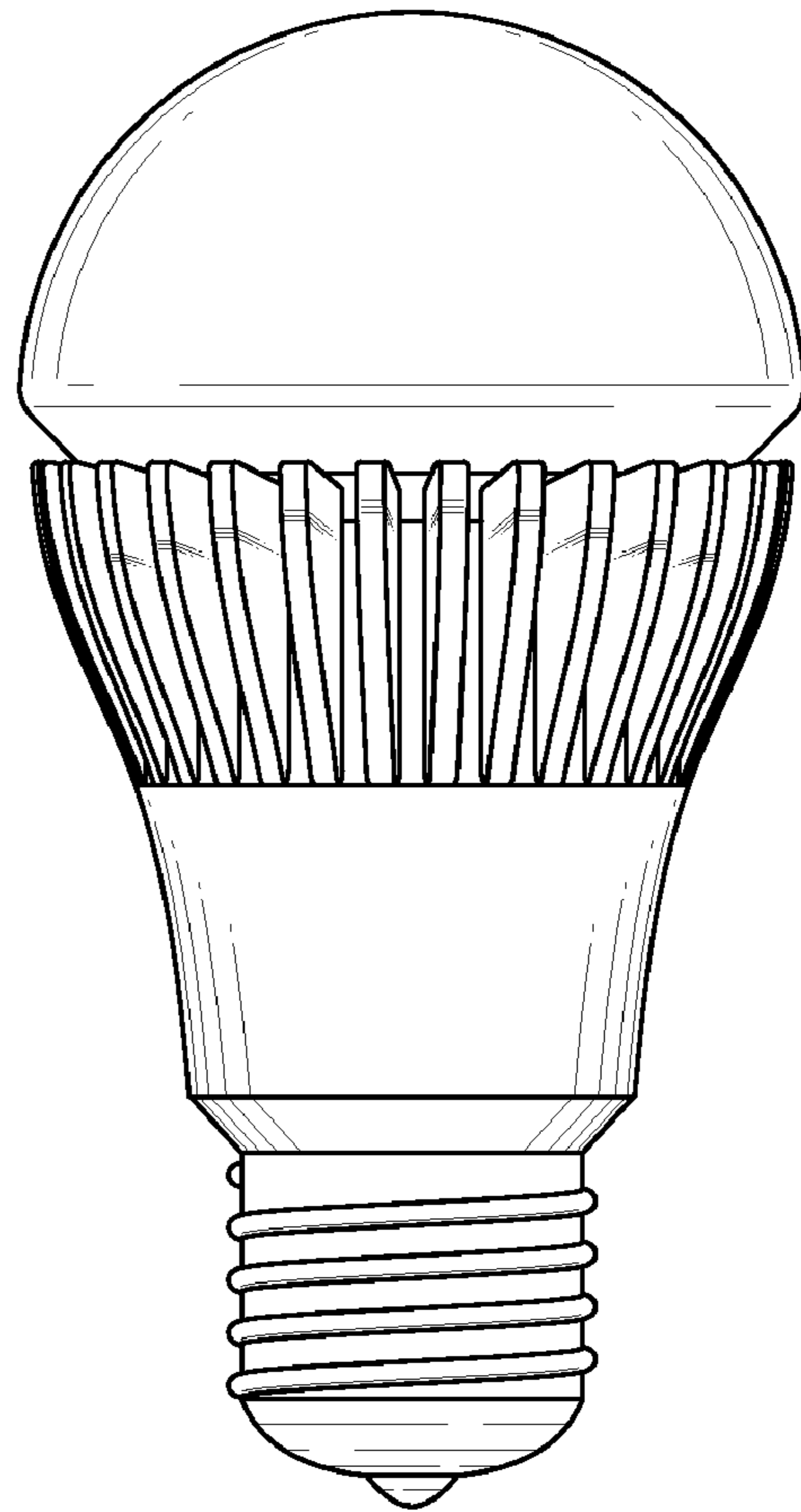


FIG. 6

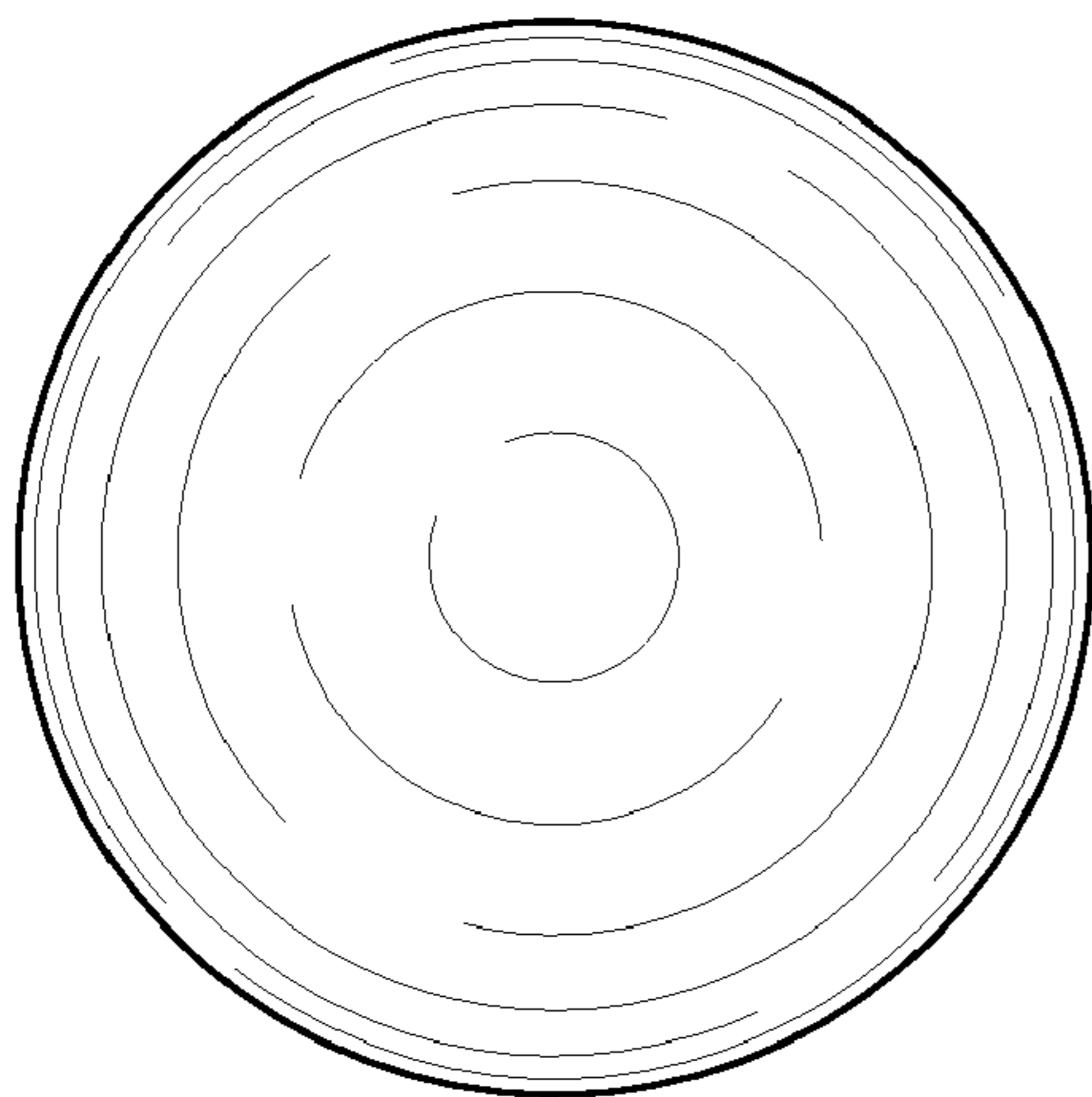


FIG. 7

