



US00D647641S

(12) **United States Design Patent**
Lin et al.

(10) **Patent No.:** **US D647,641 S**
(45) **Date of Patent:** **** Oct. 25, 2011**

(54) **OMNI LAMP**

(75) Inventors: **Yu-Shu Lin**, Taoyuan Hsien (TW);
Kuo-Chiang Tu, Taoyuan Hsien (TW)

(73) Assignee: **Delta Electronics, Inc.**, Taoyuan Hsien (TW)

(**) Term: **14 Years**

(21) Appl. No.: **29/383,332**

(22) Filed: **Jan. 14, 2011**

(51) **LOC (9) Cl.** **26-04**

(52) **U.S. Cl.** **D26/2**

(58) **Field of Classification Search** D26/1-4;
313/313, 315, 316, 317, 318, 493; 315/52,
315/53, 56, 57, 58

See application file for complete search history.

(56) **References Cited**

U.S. PATENT DOCUMENTS

D494,688 S * 8/2004 Van de Ven et al. D26/2
D542,426 S * 5/2007 Itaya et al. D26/2

D549,361 S * 8/2007 To et al. D26/2
D628,721 S * 12/2010 Lee D26/2
D634,031 S * 3/2011 de Visser et al. D26/2

* cited by examiner

Primary Examiner — Marcus Jackson

(74) *Attorney, Agent, or Firm* — Muncy, Geissler, Olds & Lowe, PLLC

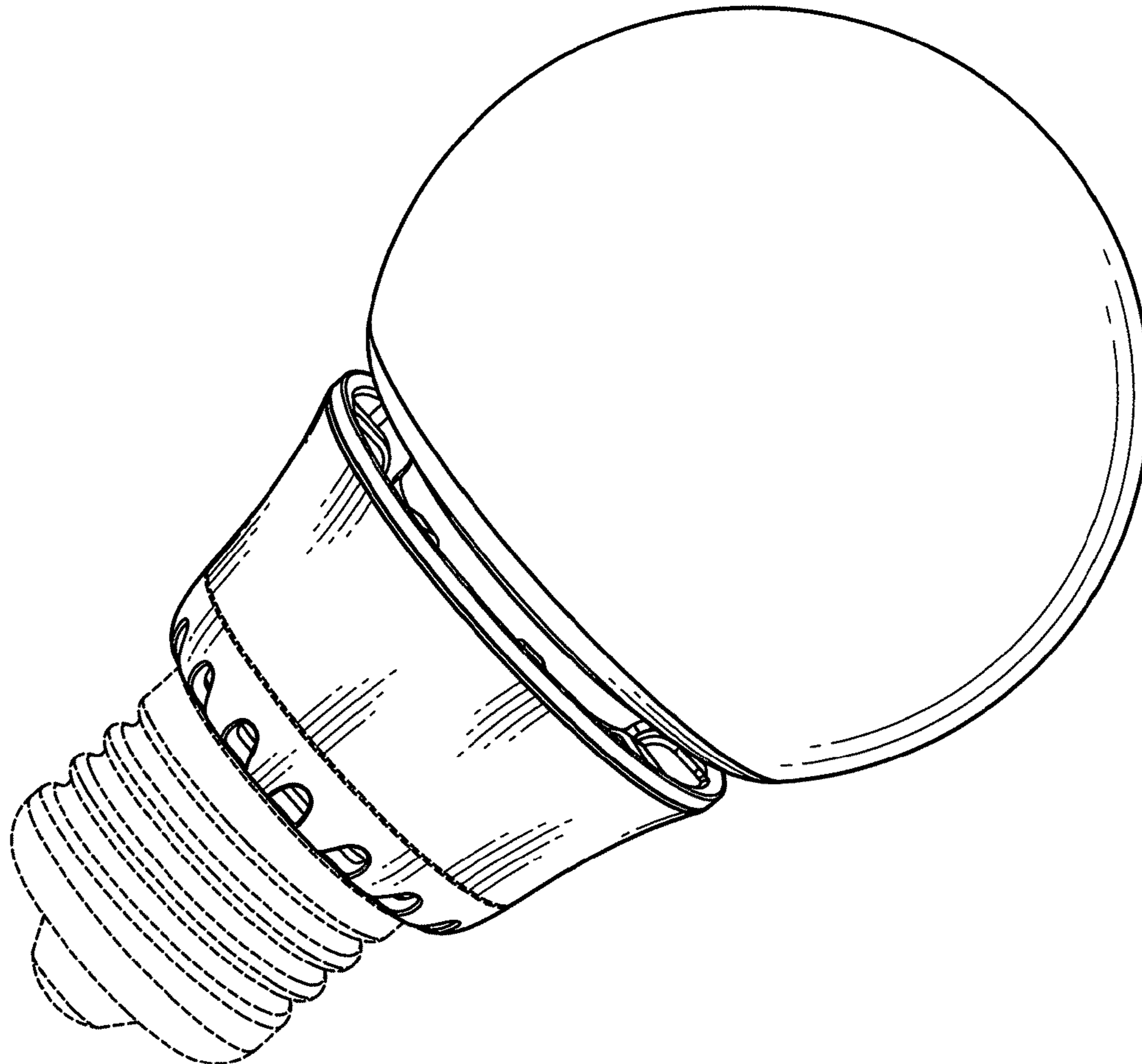
(57) **CLAIM**

The ornamental design for omni lamp, as shown and described.

DESCRIPTION

FIG. 1 is a perspective view thereof;
FIG. 2 is a front view thereof;
FIG. 3 is a rear view thereof;
FIG. 4 is a right side view thereof;
FIG. 5 is a left side view thereof;
FIG. 6 is a top view thereof; and,
FIG. 7 is a bottom view thereof.
The broken lines shown in FIGS. 2-5 illustrate the environment and form no part of the claimed design.

1 Claim, 7 Drawing Sheets



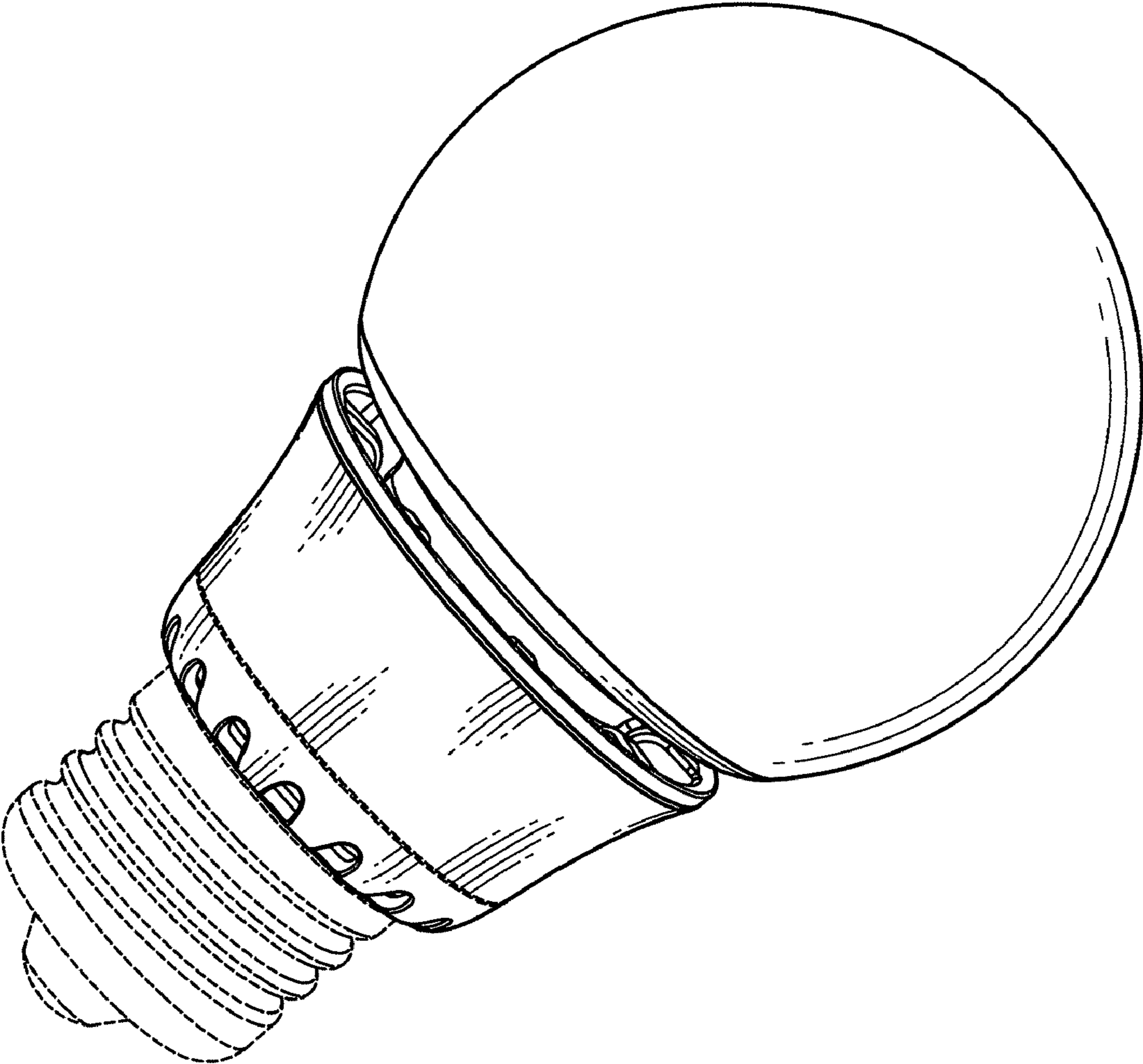


FIG. 1

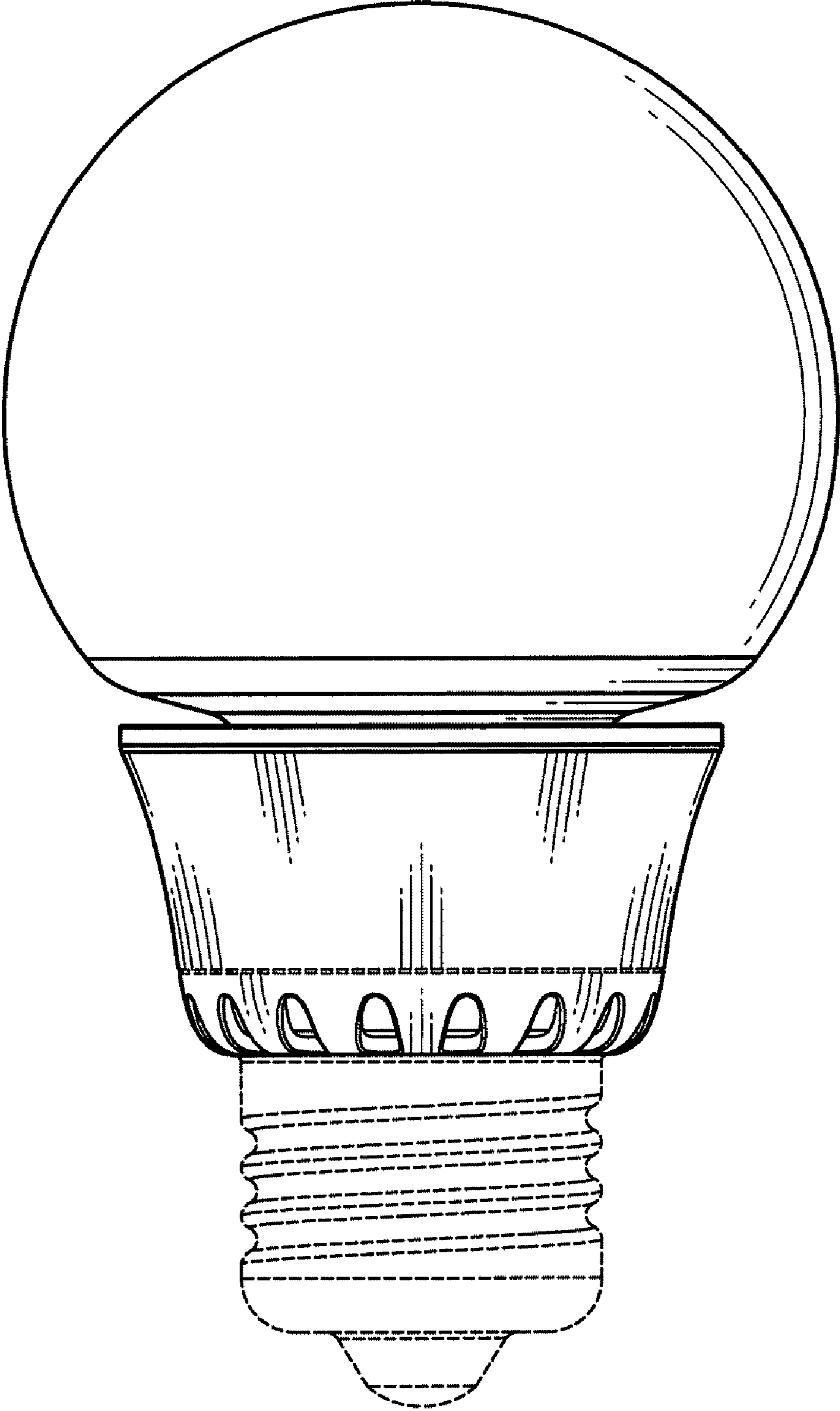


FIG. 2

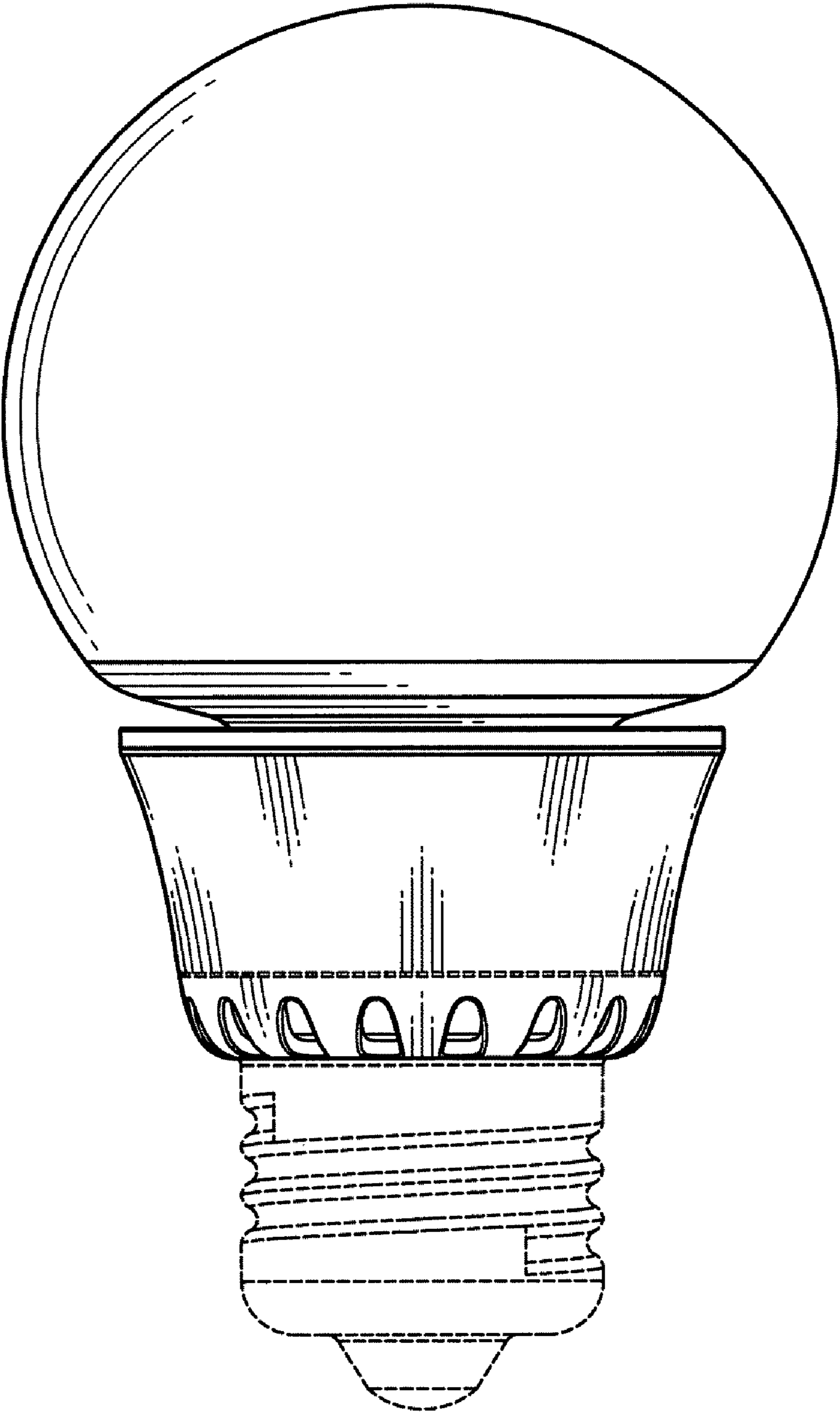


FIG. 3

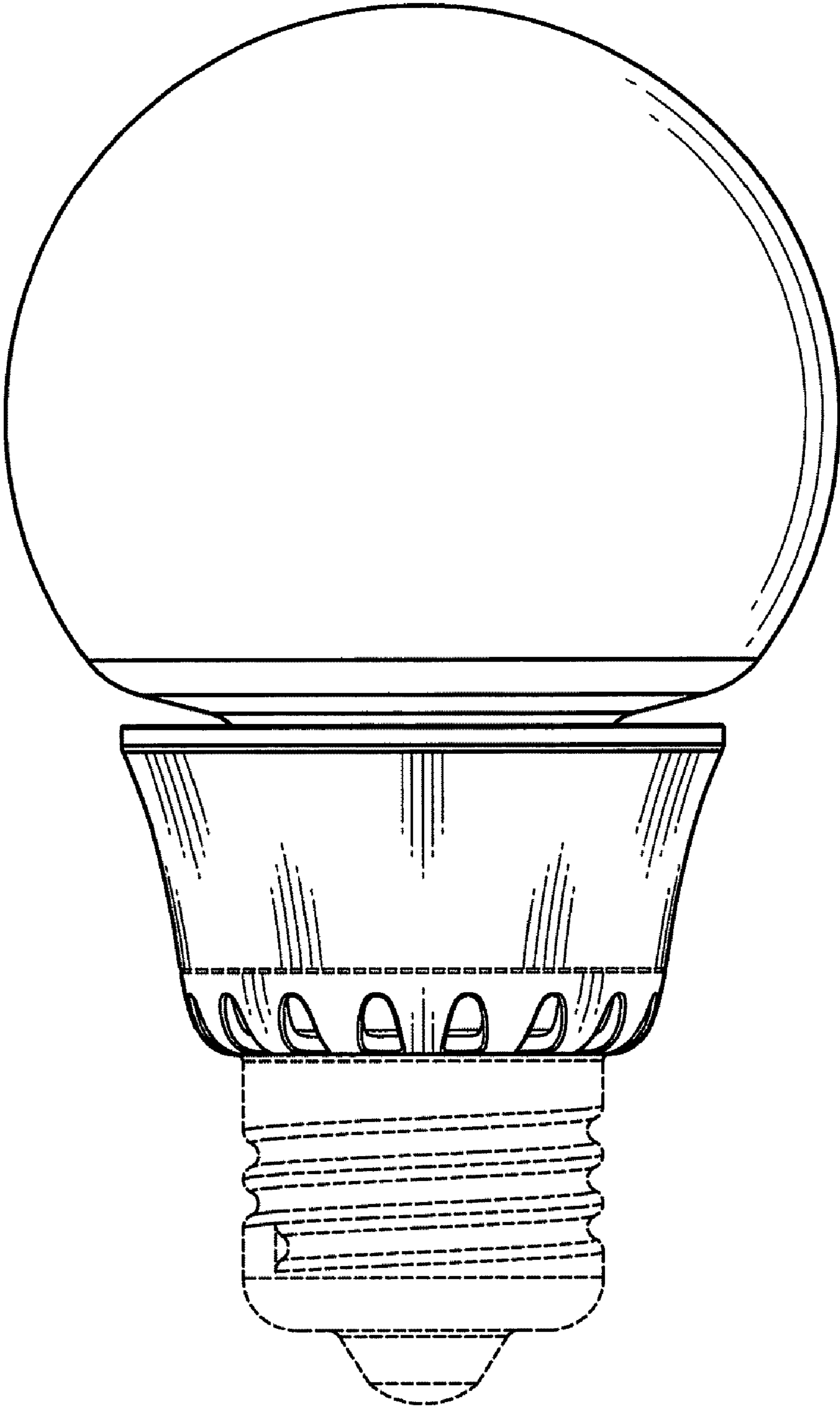


FIG. 4

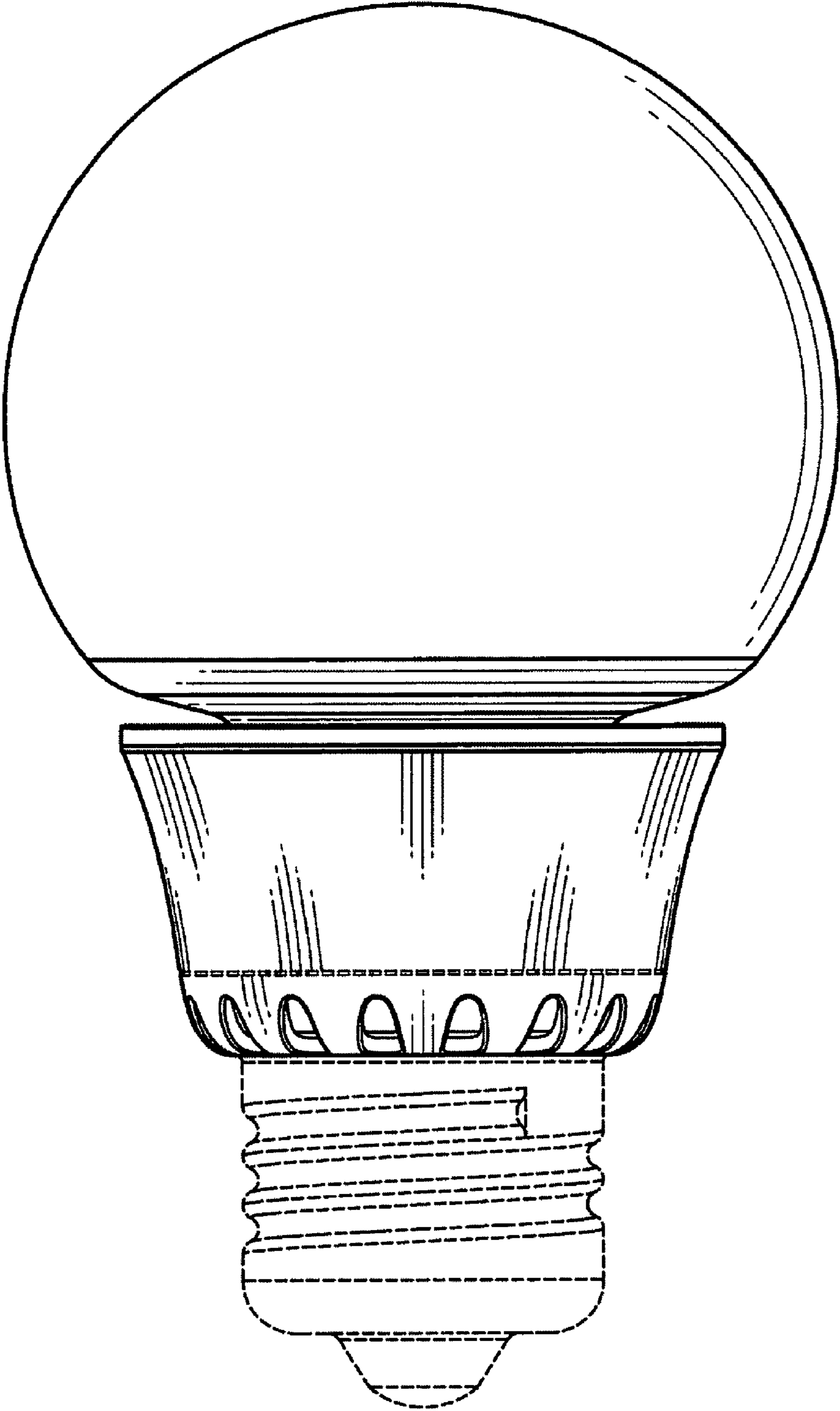


FIG. 5

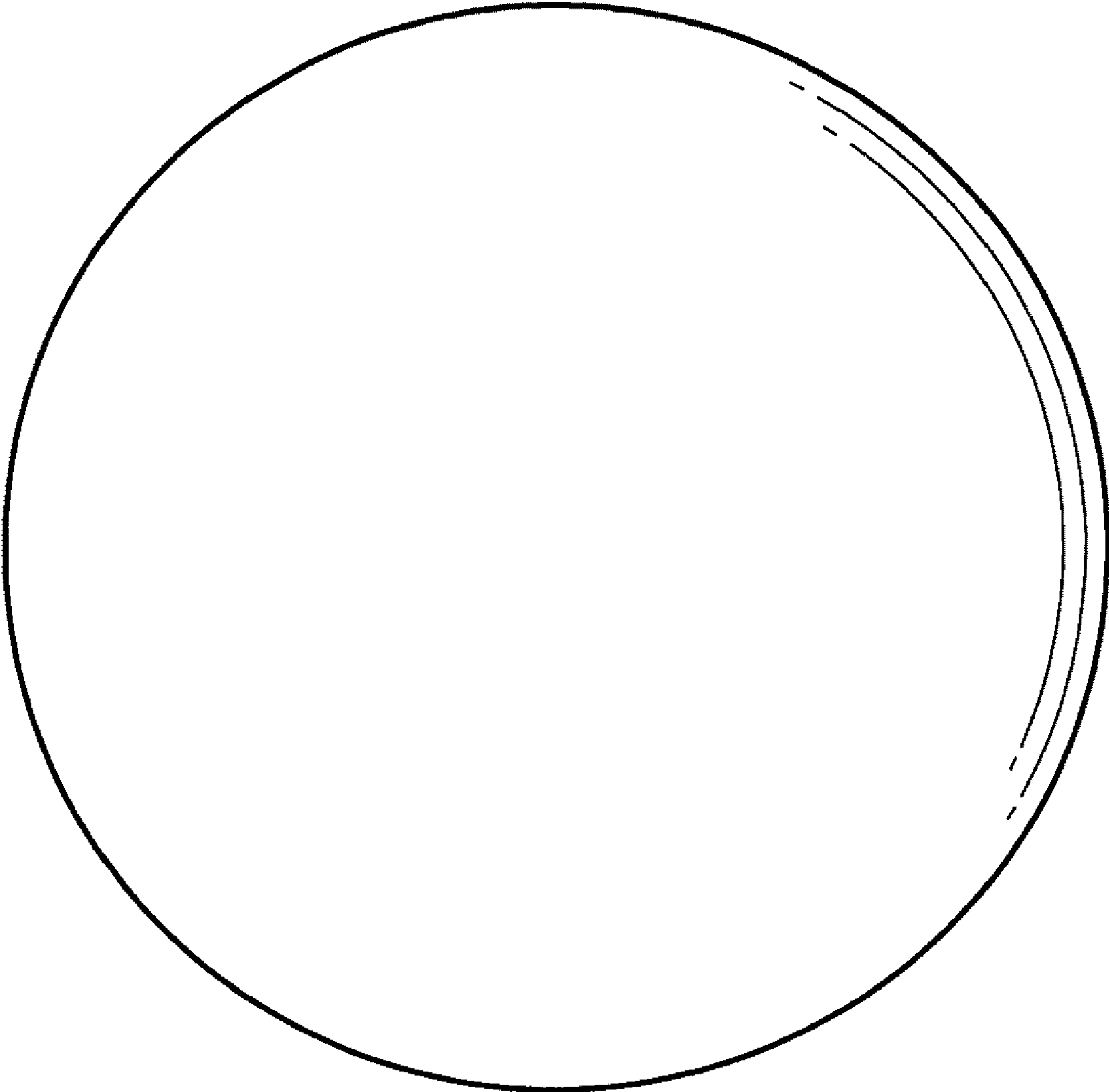


FIG. 6

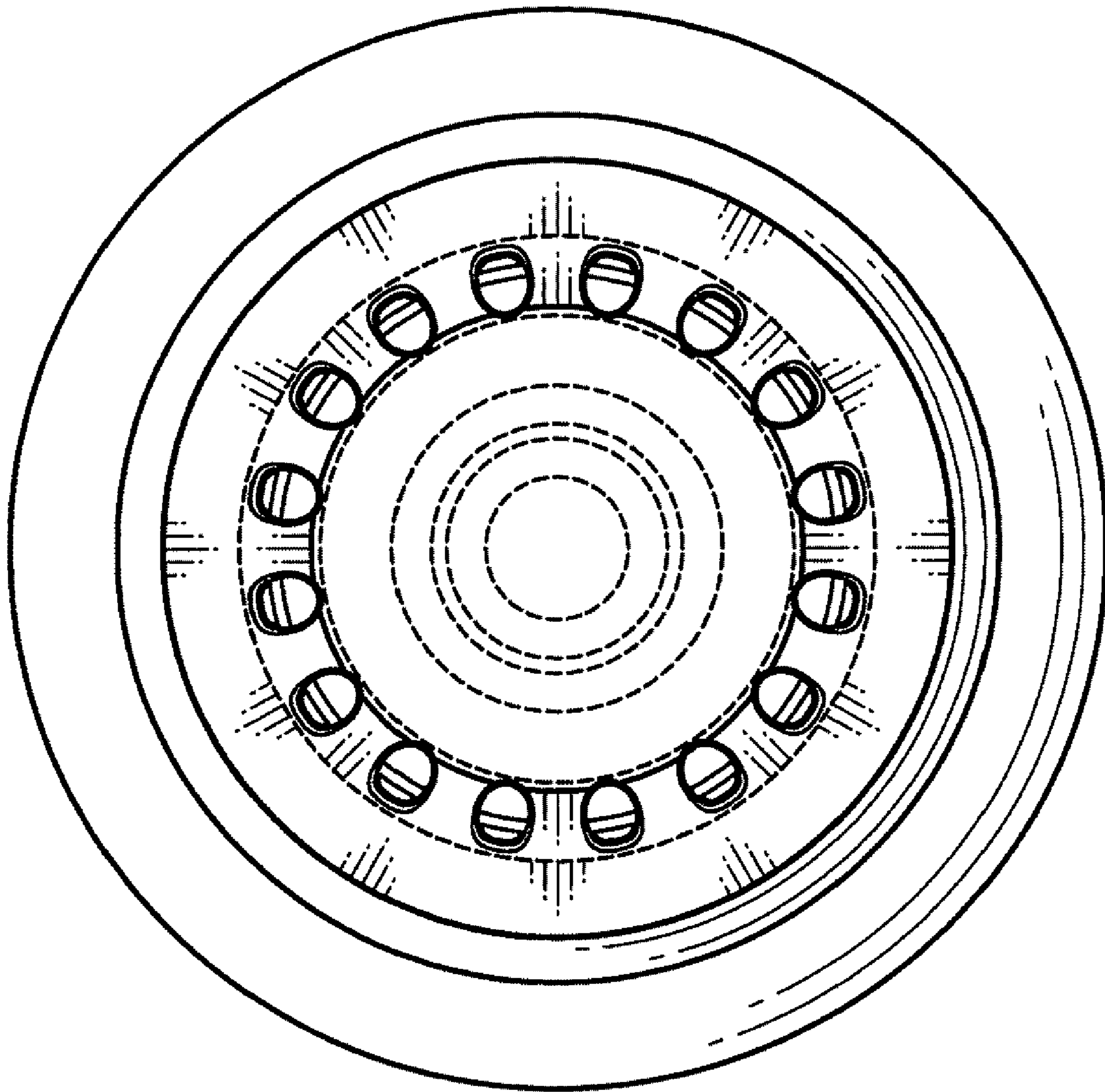


FIG. 7