



US00D647639S

(12) **United States Design Patent**  
**Lee et al.**

(10) **Patent No.:** **US D647,639 S**  
(45) **Date of Patent:** **\*\* Oct. 25, 2011**

(54) **LED LAMP**

(75) Inventors: **Seong Jin Lee**, Ansan-si (KR); **Hyun Gu Kang**, Ansan-si (KR); **Do Hyoung Kim**, Ansan-si (KR)

(73) Assignee: **Seoul Semiconductor Co., Ltd.**, Seoul (KR)

(\*\*) Term: **14 Years**

(21) Appl. No.: **29/382,046**

(22) Filed: **Dec. 28, 2010**

(30) **Foreign Application Priority Data**

Jul. 15, 2010 (KR) ..... 30-2010-0031026

(51) **LOC (9) Cl.** ..... **26-04**

(52) **U.S. Cl.** ..... **D26/2**

(58) **Field of Classification Search** ..... D26/1-4;  
313/313, 315, 316, 317, 318, 493; 315/52,  
315/53, 56, 57, 58

See application file for complete search history.

(56) **References Cited**

**U.S. PATENT DOCUMENTS**

D508,575 S \* 8/2005 Buschmann et al. .... D26/2  
D528,227 S \* 9/2006 Chou et al. .... D26/2  
D531,741 S \* 11/2006 Takahashi ..... D26/2

D534,665 S \* 1/2007 Egawa et al. .... D26/2  
D538,953 S \* 3/2007 Mama ..... D26/2  
D541,440 S \* 4/2007 Feit ..... D26/2  
D623,778 S \* 9/2010 Moon et al. .... D26/2  
D630,349 S \* 1/2011 Pei et al. .... D26/2  
D632,409 S \* 2/2011 Qiu ..... D26/2  
D634,031 S \* 3/2011 de Visser et al. .... D26/2

**FOREIGN PATENT DOCUMENTS**

JP D1379971 2/2010

\* cited by examiner

*Primary Examiner* — Marcus Jackson

(74) *Attorney, Agent, or Firm* — H.C. Park & Associates, PLC

(57) **CLAIM**

The ornamental design for a LED lamp, as shown and described.

**DESCRIPTION**

FIG. 1 is a perspective view of the LED lamp.  
FIG. 2 is a front view of the LED lamp.  
FIG. 3 is a rear view of the LED lamp.  
FIG. 4 is a left side view of the LED lamp.  
FIG. 5 is a right side view of the LED lamp.  
FIG. 6 is a top plan view of the LED lamp; and,  
FIG. 7 is a bottom plan view of the LED lamp.

**1 Claim, 4 Drawing Sheets**

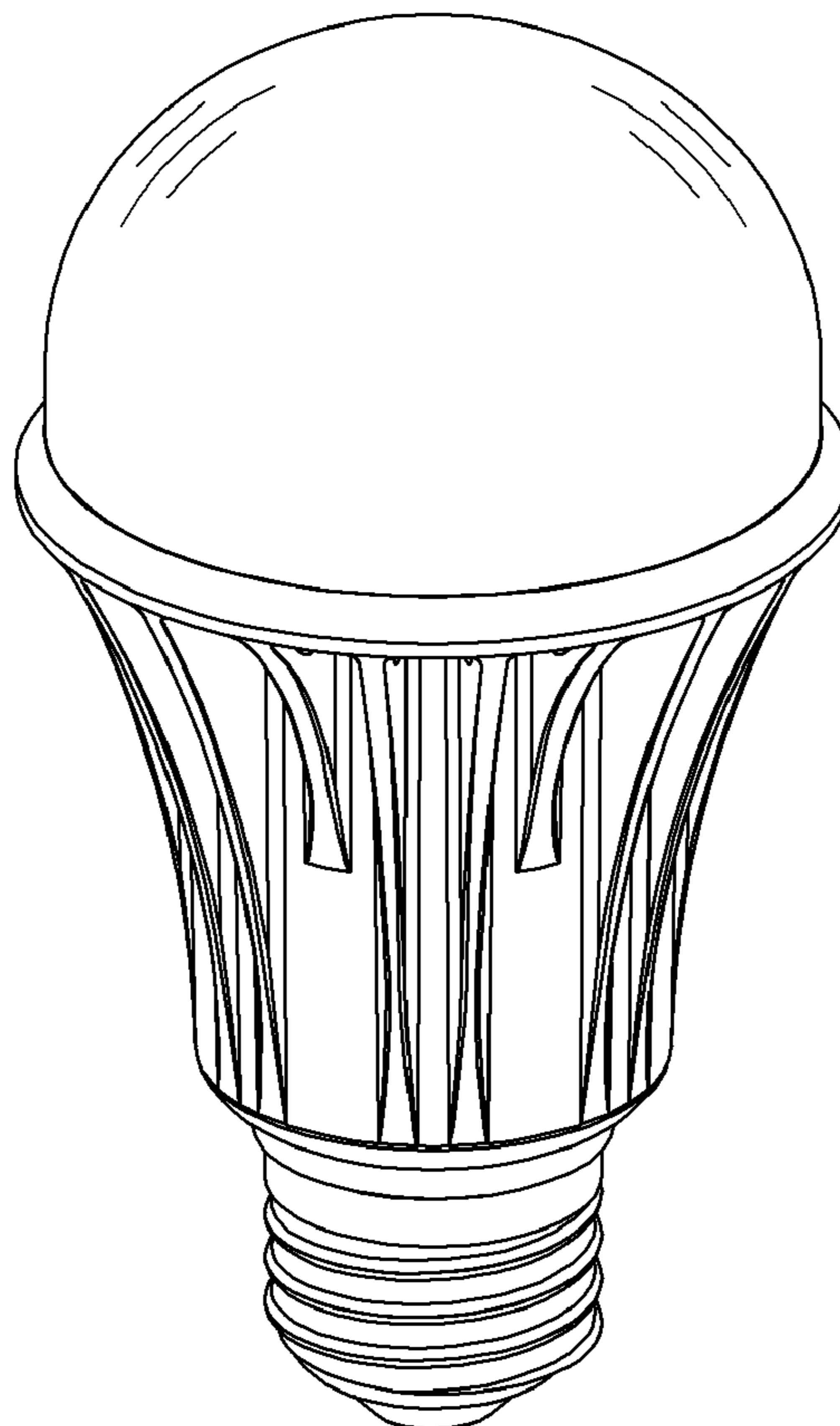


Fig. 1

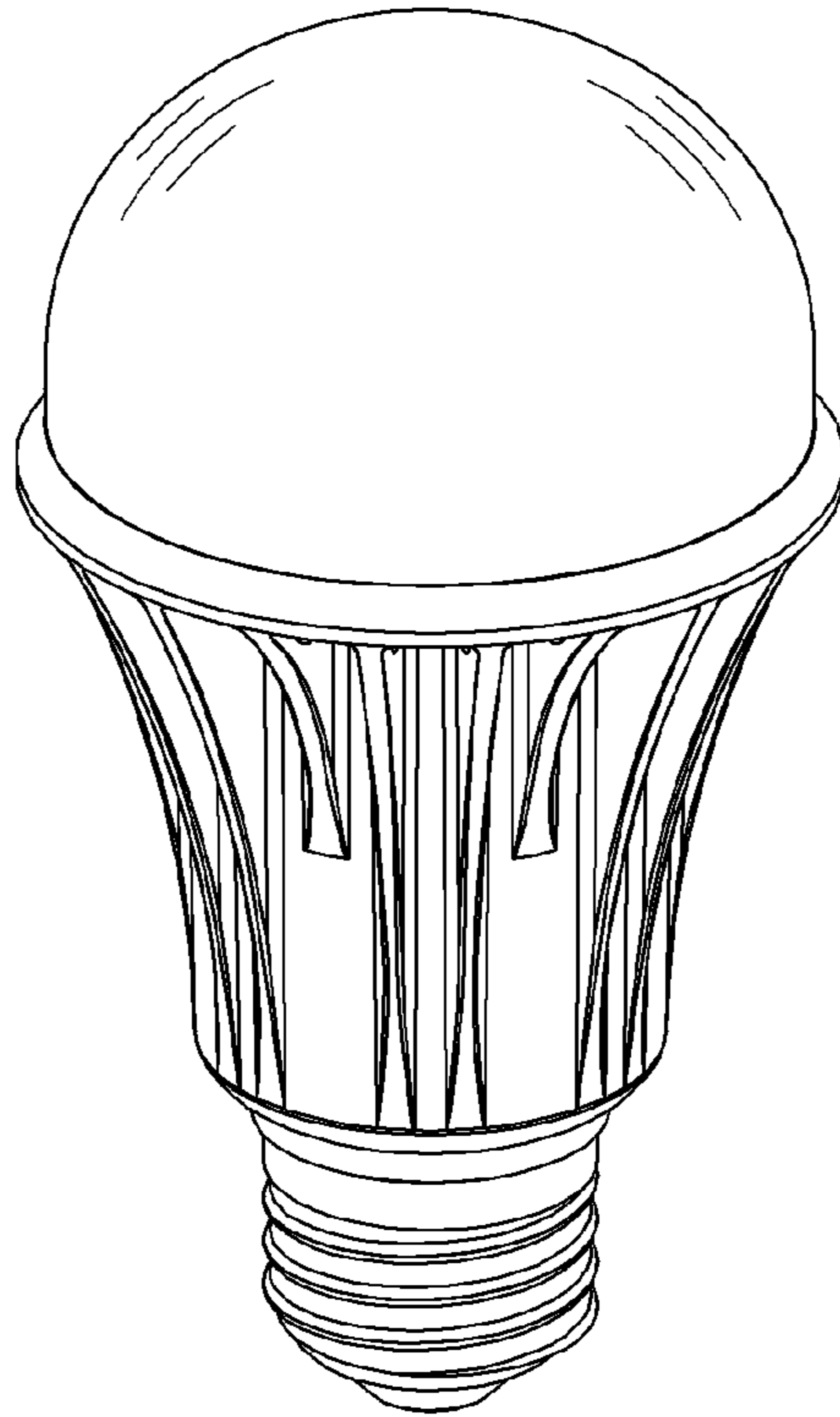


Fig. 2

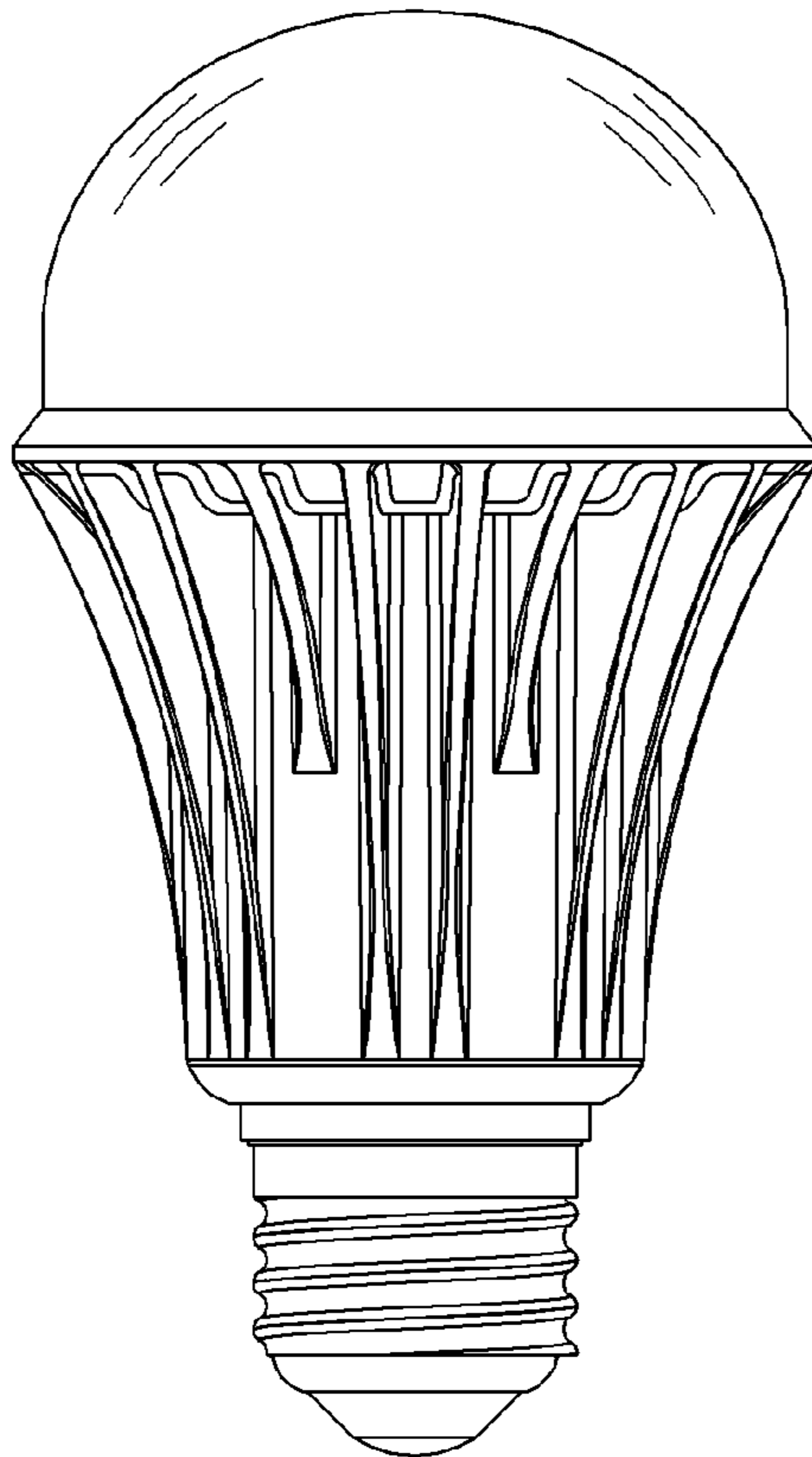


Fig. 3

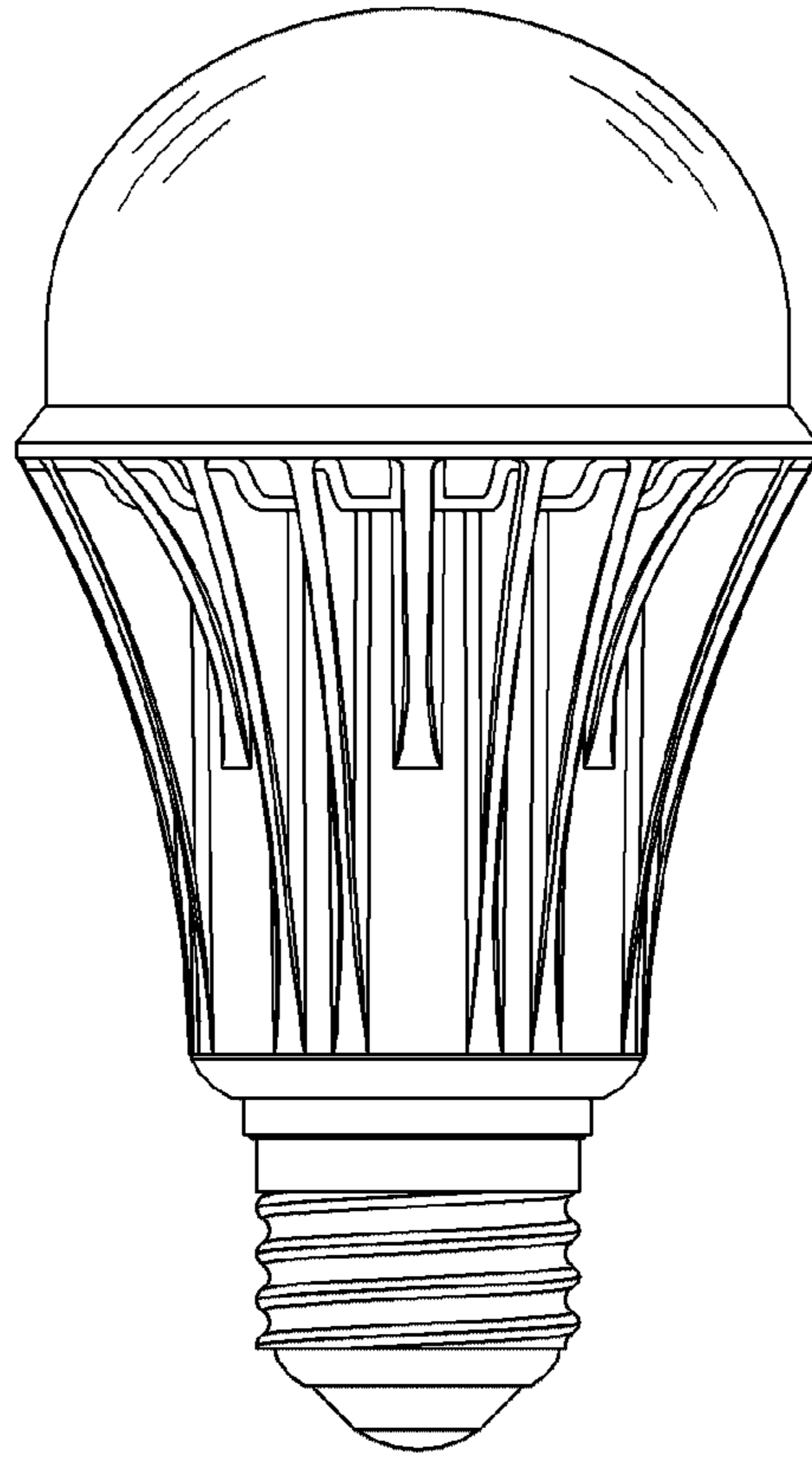


Fig. 4

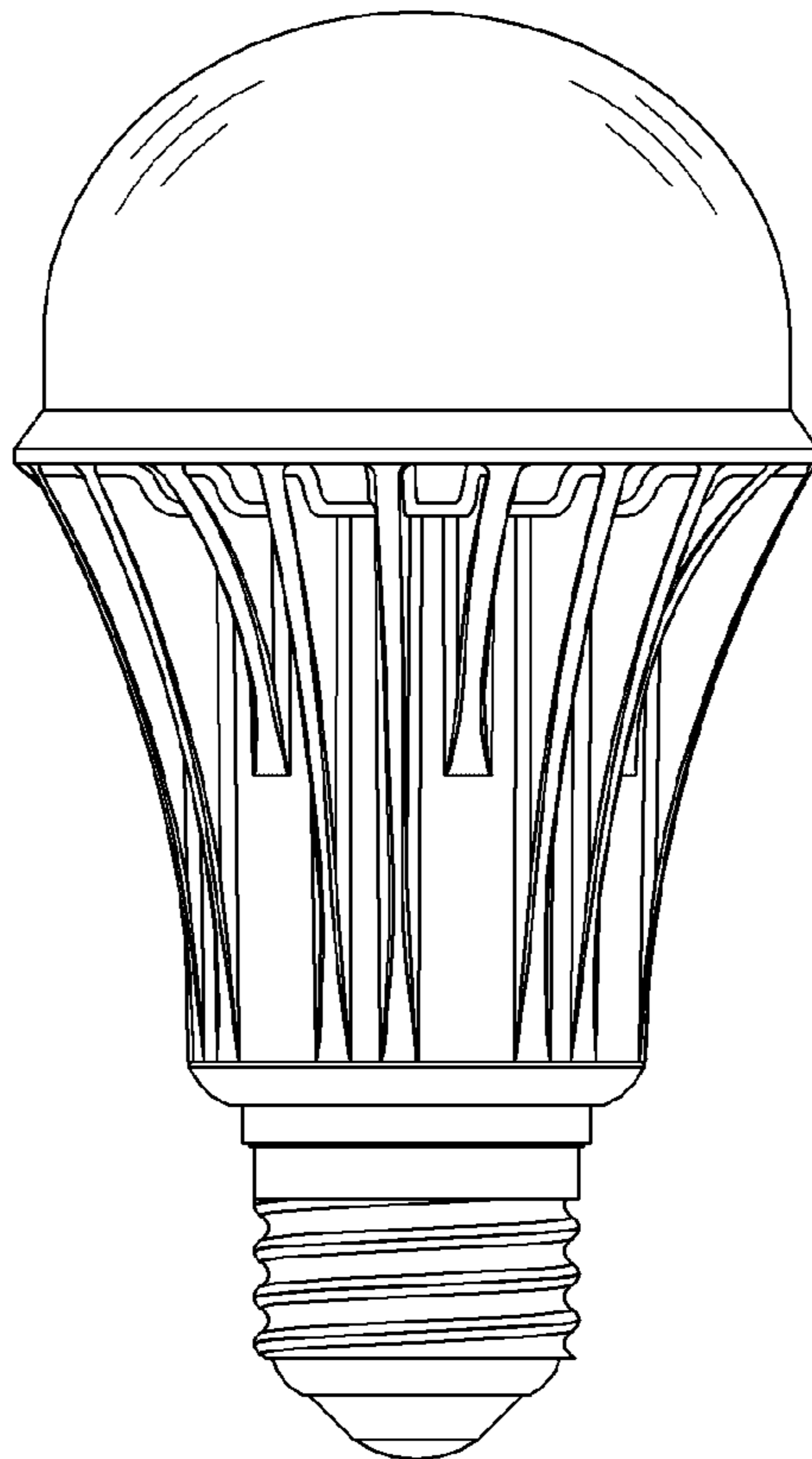


Fig. 5

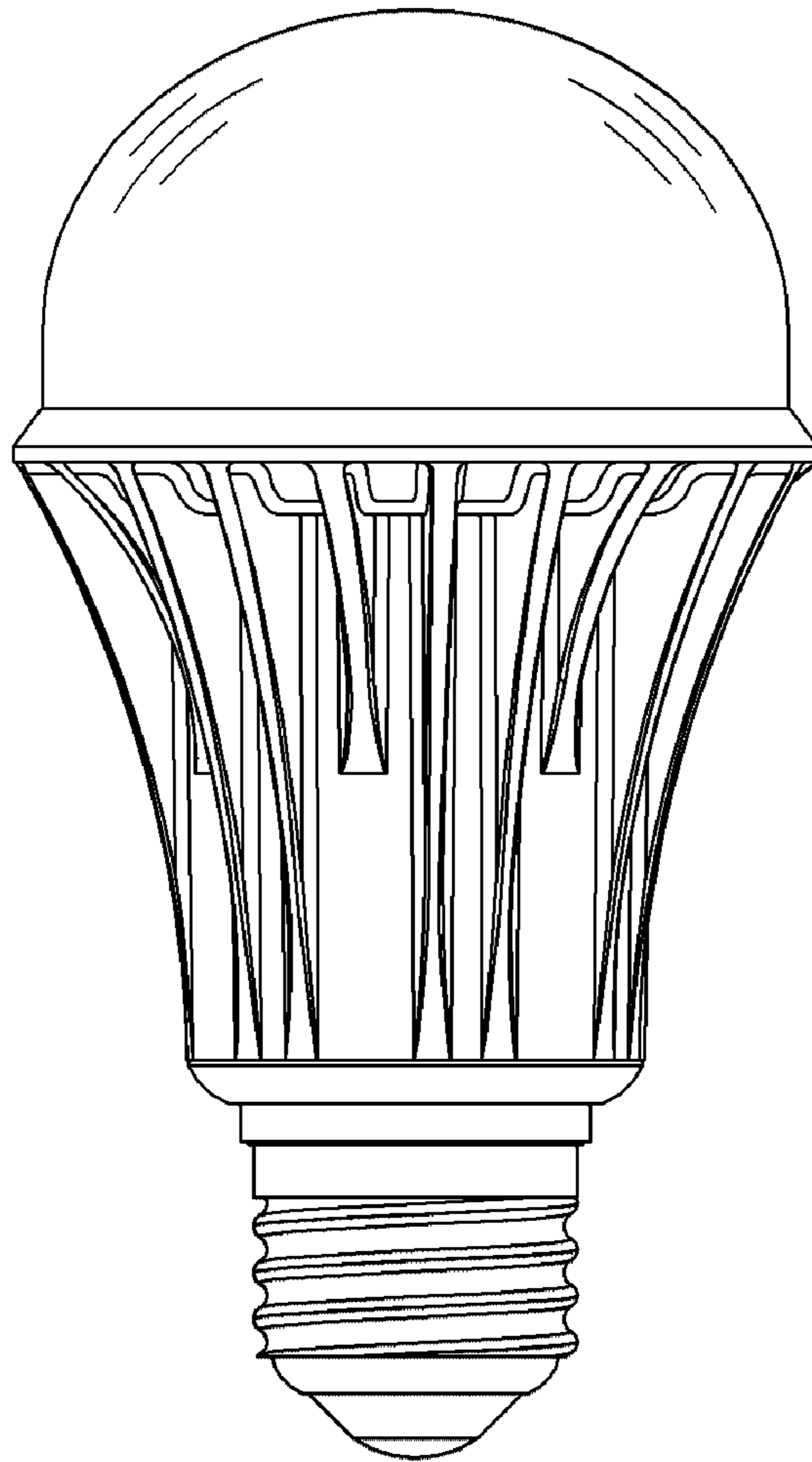


Fig. 6

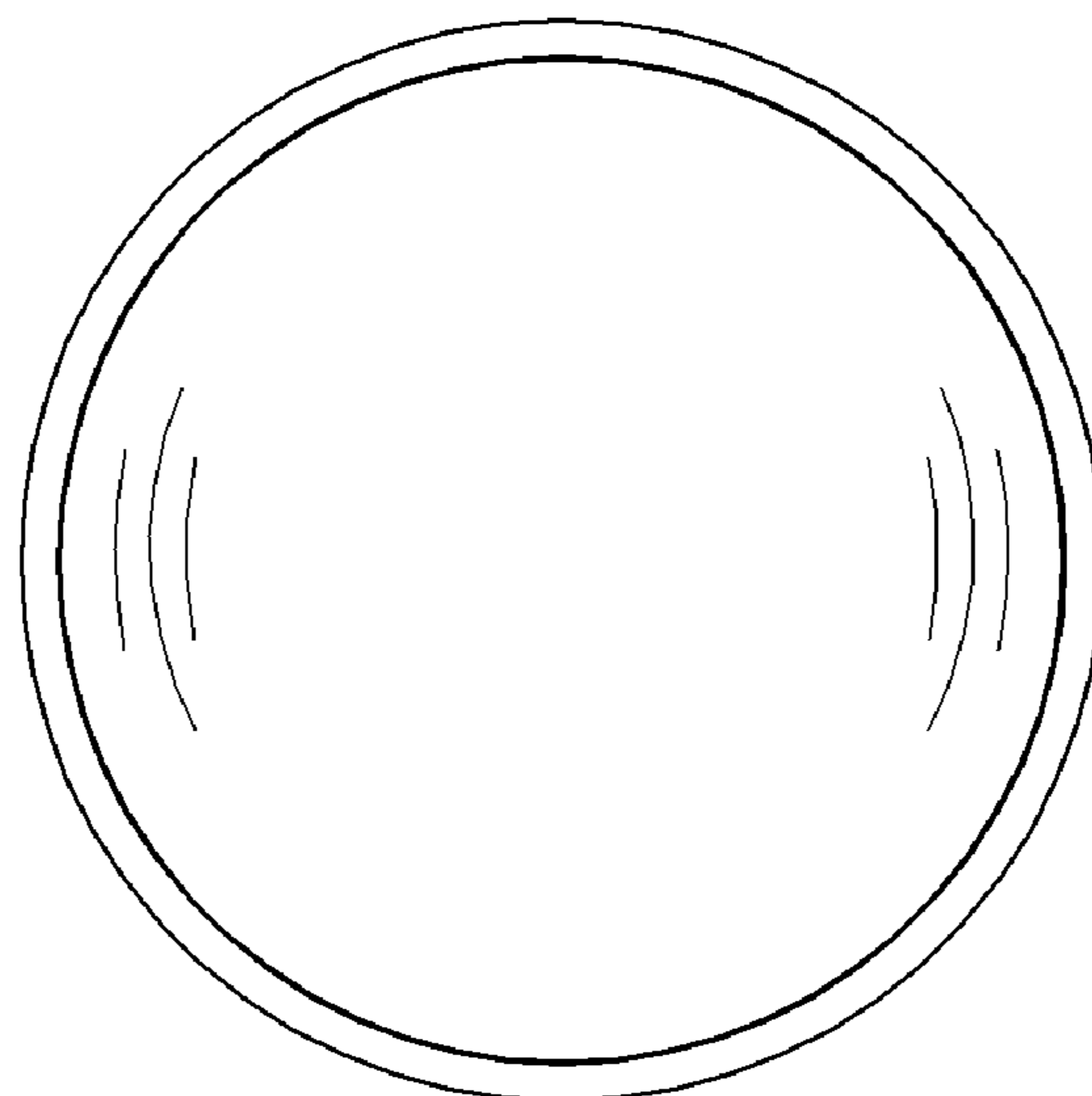


Fig. 7

