



US00D647633S

(12) **United States Design Patent**  
**MacDonald**

(10) **Patent No.:** **US D647,633 S**

(45) **Date of Patent:** **\*\* Oct. 25, 2011**

(54) **LANDSCAPING BLOCK**  
(75) Inventor: **Robert A. MacDonald**, Plymouth, MN (US)  
(73) Assignee: **Keystone Retaining Wall Systems, Inc.**, Bloomington, MN (US)

(\*\*) Term: **14 Years**  
(21) Appl. No.: **29/386,335**

(22) Filed: **Feb. 28, 2011**  
(51) **LOC (9) Cl.** ..... **25-01**  
(52) **U.S. Cl.** ..... **D25/113**  
(58) **Field of Classification Search** ..... D25/102, D25/112-118, 136, 138, 151, 152, 158, 162, D25/164, 199; D21/484-491, 499-504; 405/16, 284, 286; 52/503-505, 574, 575, 52/596-612, 102; 404/27-42; 47/33; D8/1  
See application file for complete search history.

(56) **References Cited**

U.S. PATENT DOCUMENTS

4,197,669 A *	4/1980	Hynes	.....	D25/113
4,496,266 A	1/1985	Ruckstuhl		
D280,024 S	8/1985	Risi et al.		
D315,026 S	2/1991	Castonguay et al.		
5,426,888 A	6/1995	Gnaedig		
D361,853 S	8/1995	Northrop		
5,568,994 A	10/1996	Dawson		
5,601,384 A	2/1997	Dawson		
D380,560 S	7/1997	Forsberg		
D381,086 S	7/1997	Forsberg		
D384,168 S	9/1997	Stevenson		
D387,434 S	12/1997	Dawson		
D397,230 S	8/1998	Forsberg		
D397,808 S	9/1998	Dawson		
5,865,006 A	2/1999	Dawson		
5,913,790 A	6/1999	Dawson		
D426,322 S *	6/2000	Anderson et al.	.....	D25/164
D430,308 S	8/2000	Dawson		
6,102,374 A	8/2000	Macri		

6,149,352 A	11/2000	MacDonald		
D448,856 S	10/2001	Boone		
D448,857 S	10/2001	Staten et al.		
D448,861 S	10/2001	Daniels et al.		
D459,006 S	6/2002	Staten et al.		
D461,566 S *	8/2002	Ogawa et al.	.....	D25/113
D464,147 S	10/2002	Van Cauwenbergh		
6,536,994 B2	3/2003	Race		
D475,147 S *	5/2003	Ogawa et al.	.....	D25/113
6,591,547 B1	7/2003	Staten et al.		
D479,341 S	9/2003	Scullion et al.		
D479,611 S	9/2003	Ogawa et al.		
6,615,561 B2	9/2003	MacDonald et al.		
6,668,484 B2	12/2003	Riccobene		
D488,242 S	4/2004	MacDonald		

(Continued)

OTHER PUBLICATIONS

U.S. Appl. No. 13/039,924, filed Mar. 3, 2011 (62 pages).

(Continued)

*Primary Examiner* — Anhdao Doan

(74) *Attorney, Agent, or Firm* — Popovich, Wiles & O'Connell, P.A.

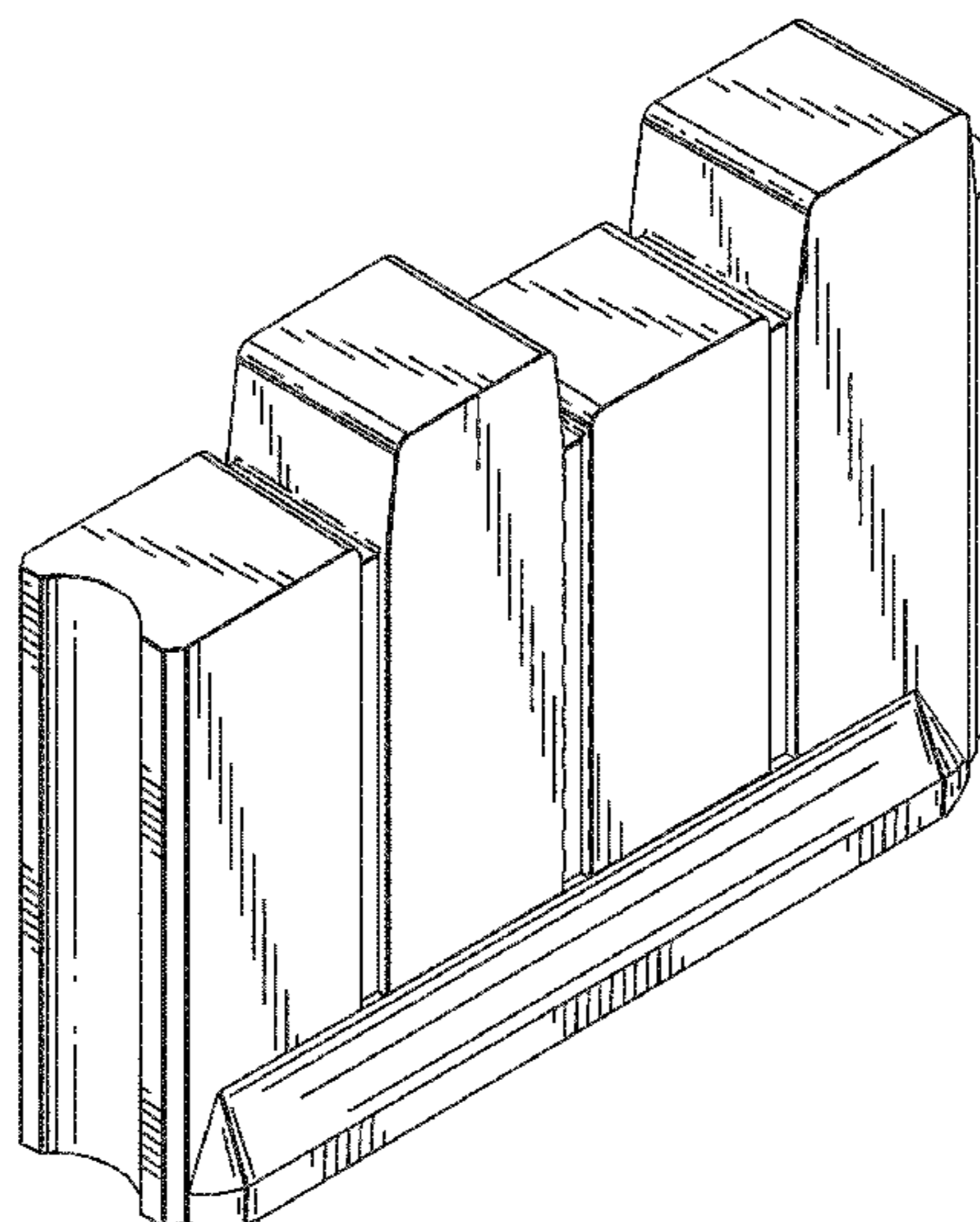
(57) **CLAIM**

The ornamental design for a landscaping block, as shown and described.

**DESCRIPTION**

FIG. 1 is a left and front perspective view of a landscaping block according to my new design;  
FIG. 2 is a right and front perspective view thereof;  
FIG. 3 is a left side elevational view thereof;  
FIG. 4 is a right side elevational view thereof;  
FIG. 5 is a front elevational view thereof,  
FIG. 6 is a rear elevational view thereof;  
FIG. 7 is a top plan view thereof; and,  
FIG. 8 is a bottom plan view thereof.

**1 Claim, 8 Drawing Sheets**



# US D647,633 S

Page 2

## U.S. PATENT DOCUMENTS

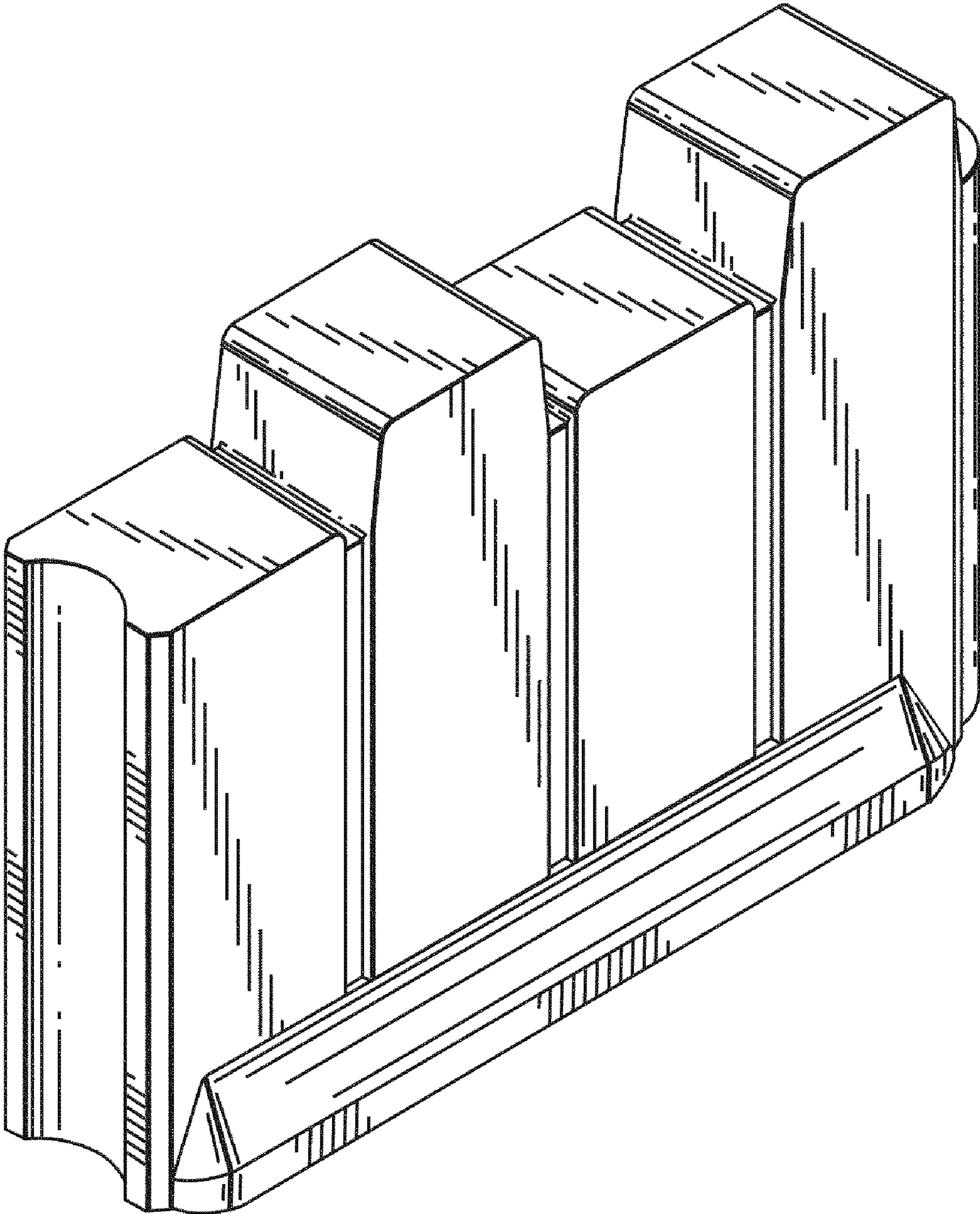
D488,568 S 4/2004 MacDonald  
D488,569 S 4/2004 Dawson  
D490,542 S 5/2004 MacDonald  
D491,675 S 6/2004 Ogawa et al.  
6,821,058 B1 11/2004 Dawson  
D501,934 S \* 2/2005 Mushett ..... D25/118  
D501,935 S 2/2005 Dawson et al.  
6,854,231 B2 2/2005 MacDonald et al.  
D516,736 S 3/2006 Mushett et al.  
7,168,218 B2 1/2007 Spratlen et al.  
7,168,892 B1 1/2007 MacDonald et al.  
D539,927 S 4/2007 Whitson  
D574,515 S 8/2008 Bouchard  
D610,710 S 2/2010 LaCroix et al.  
D613,430 S 4/2010 Perotti

D621,070 S 8/2010 MacDonald et al.  
D624,213 S 9/2010 Perotti  
2006/0110223 A1 5/2006 Dawson  
2008/0277561 A1 11/2008 MacDonald  
2008/0289282 A1 11/2008 MacDonald  
2008/0307740 A1 12/2008 MacDonald  
2009/0120029 A1 5/2009 LaCroix et al.  
2009/0188196 A1 7/2009 MacDonald  
2009/0308015 A1 12/2009 Macdonald et al.  
2011/0072753 A1 3/2011 MacDonald

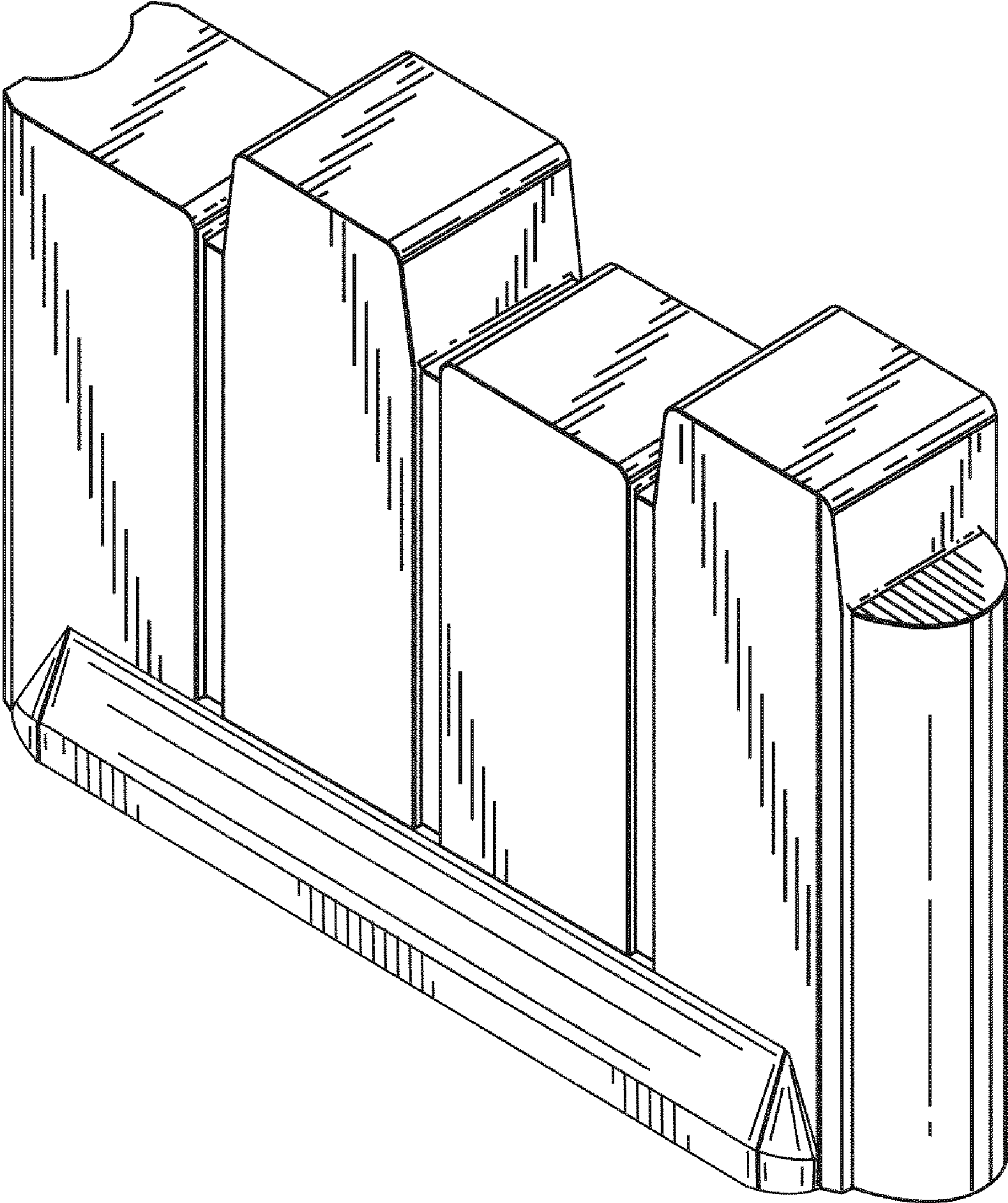
## OTHER PUBLICATIONS

U.S. Appl. No. 13/037,685, filed Mar. 1, 2011 (59 pages).  
U.S. Appl. No. 29/366,124, filed Jul. 20, 2010 (59 pages).

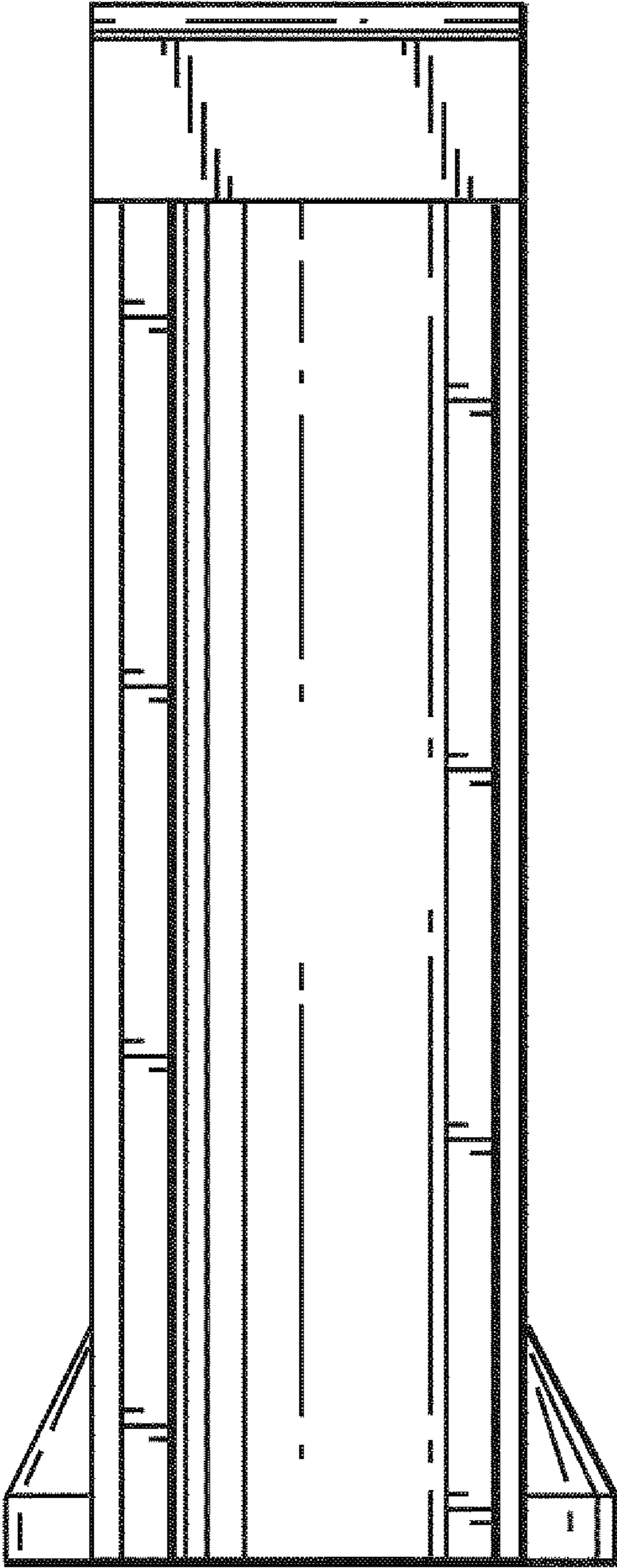
\* cited by examiner



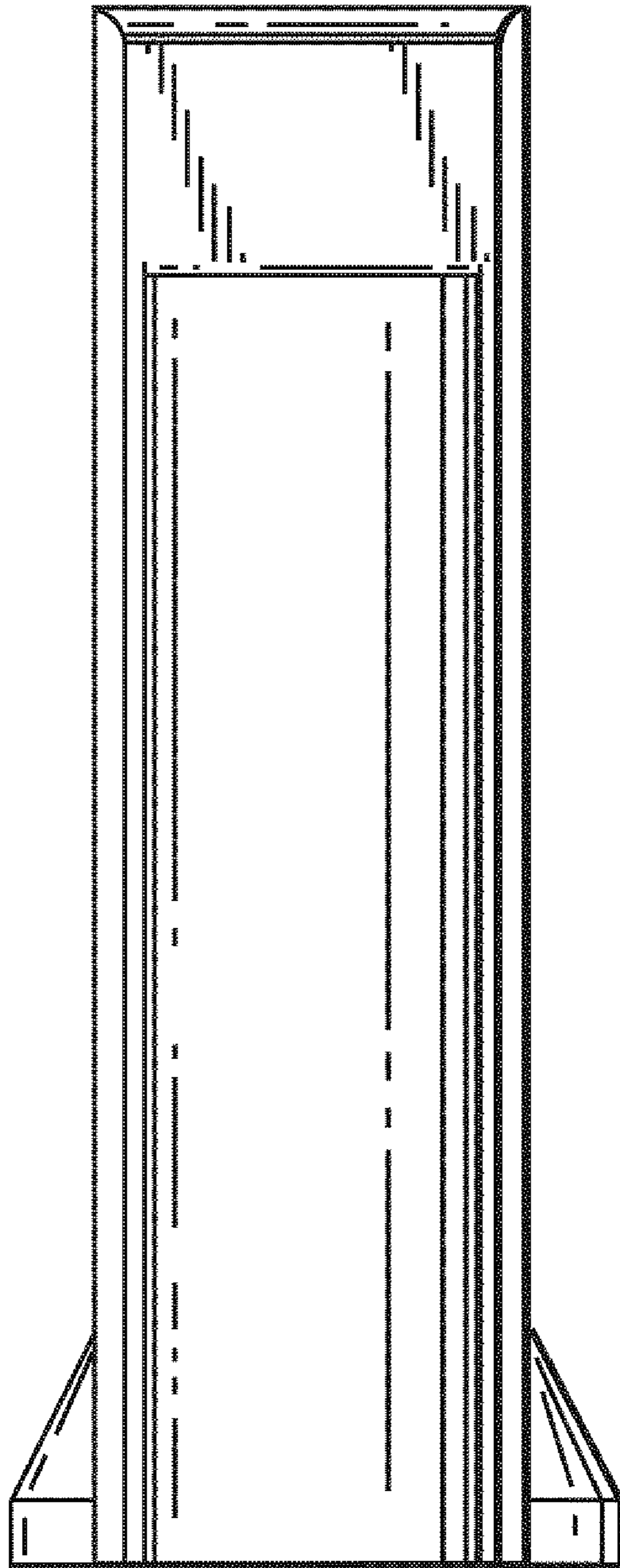
*Fig. 1*



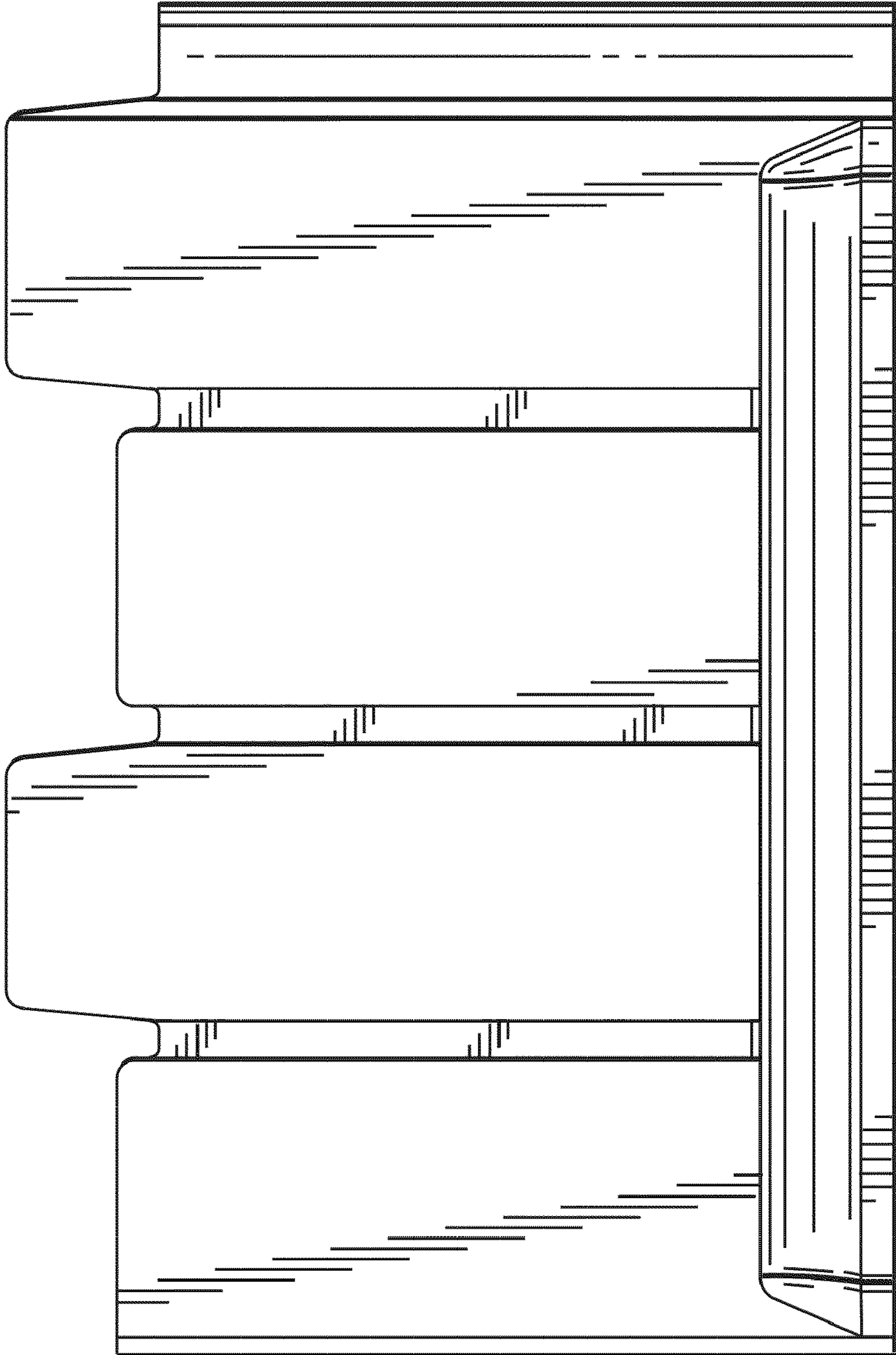
*Fig. 2*



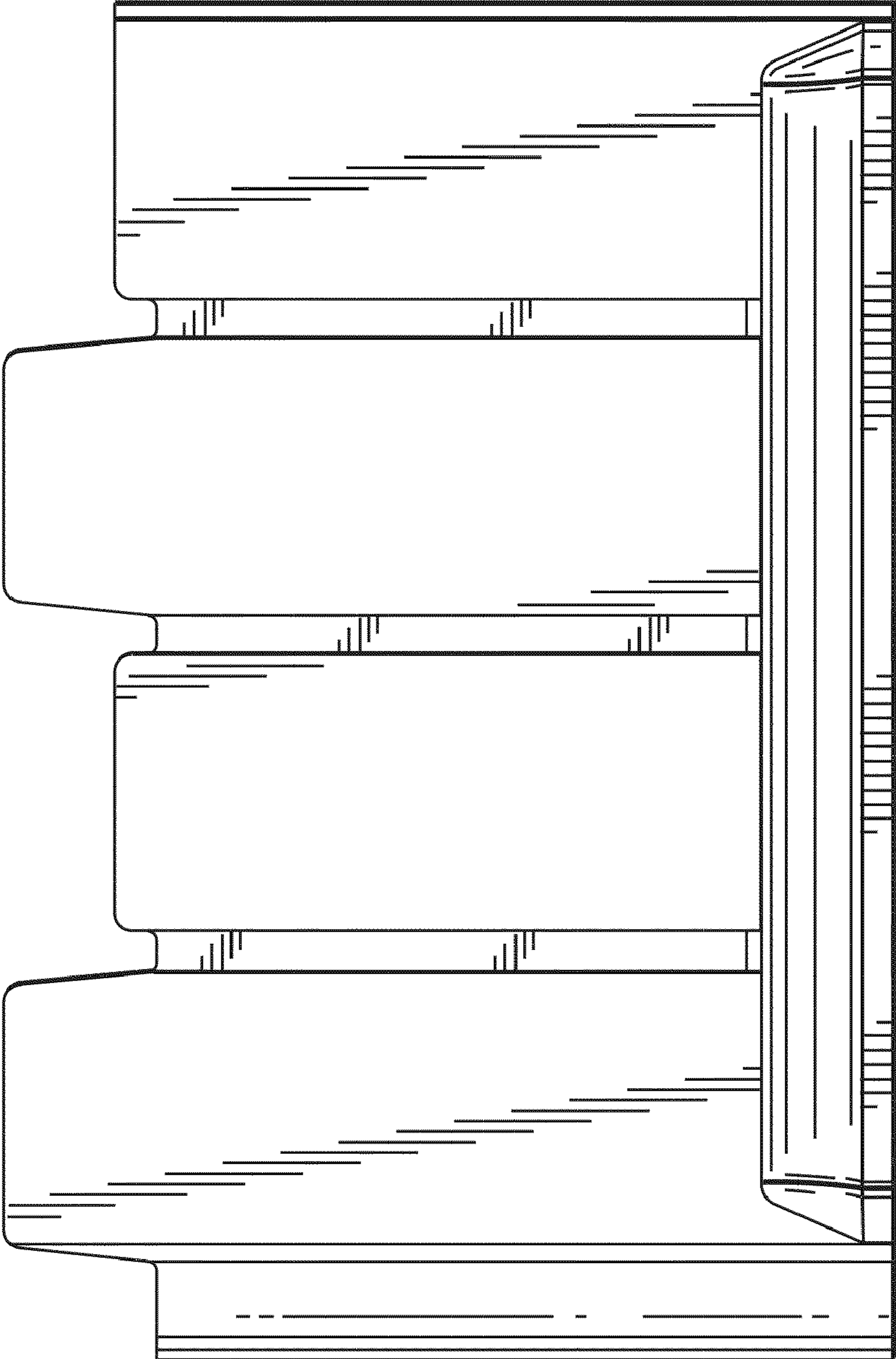
*Fig. 3*



*Fig. 4*

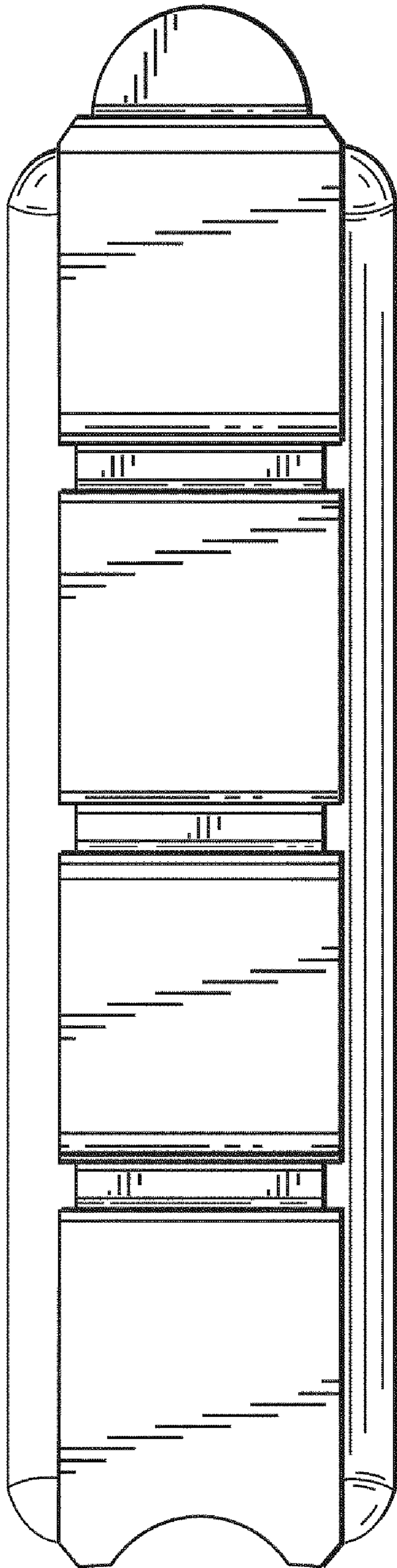


*Fig. 5*

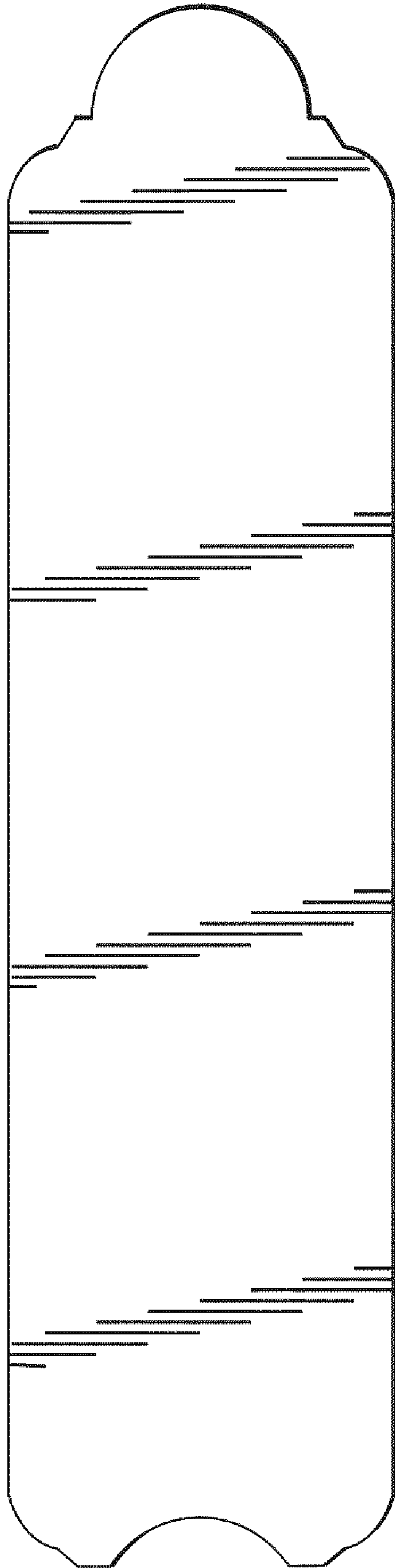


*Fig. 6*





*Fig. 7*



*Fig. 8*