

US00D647631S

(12) **United States Design Patent**
Seehof

(10) **Patent No.:** **US D647,631 S**

(45) **Date of Patent:** **** Oct. 25, 2011**

- (54) **RIBBED GRAB RAIL WITH CAVITY FOR LIGHT**
- (75) Inventor: **John J. Seehof**, Blythewood, SC (US)
- (73) Assignee: **Hansen International, Inc.**, Lexington, SC (US)
- (**) Term: **14 Years**
- (21) Appl. No.: **29/381,696**
- (22) Filed: **Dec. 22, 2010**
- (51) **LOC (9) Cl.** **25-02**
- (52) **U.S. Cl.** **D25/41; D25/38; D6/549**
- (58) **Field of Classification Search** D25/41, D25/38; D8/315; D6/533, 549; 4/511; 52/184; 256/59; 182/106, 112, 113, 206; 211/123, 211/124, 100
See application file for complete search history.

D327,196 S	6/1992	Crook et al.	
D333,966 S	3/1993	Levien	
5,190,267 A *	3/1993	Schmitt et al.	256/59
D344,592 S	2/1994	Zaccai et al.	
5,295,595 A	3/1994	Gobidas et al.	
5,297,010 A	3/1994	Camarota et al.	
5,504,974 A	4/1996	Graber	
D380,956 S	7/1997	Collins	
5,657,968 A	8/1997	Marsden	
D385,177 S	10/1997	Perry	
5,690,237 A	11/1997	Marzec	
D388,272 S	12/1997	Moore	
5,743,064 A *	4/1998	Bennett	52/718.04
5,779,228 A	7/1998	Hansen	
D407,932 S	4/1999	Sweetman	

(Continued)

Primary Examiner — Doris Clark

(74) *Attorney, Agent, or Firm* — Dority & Manning, P.A.

(57) **CLAIM**

The ornamental design for a ribbed grab rail with cavity for light, as shown and described.

DESCRIPTION

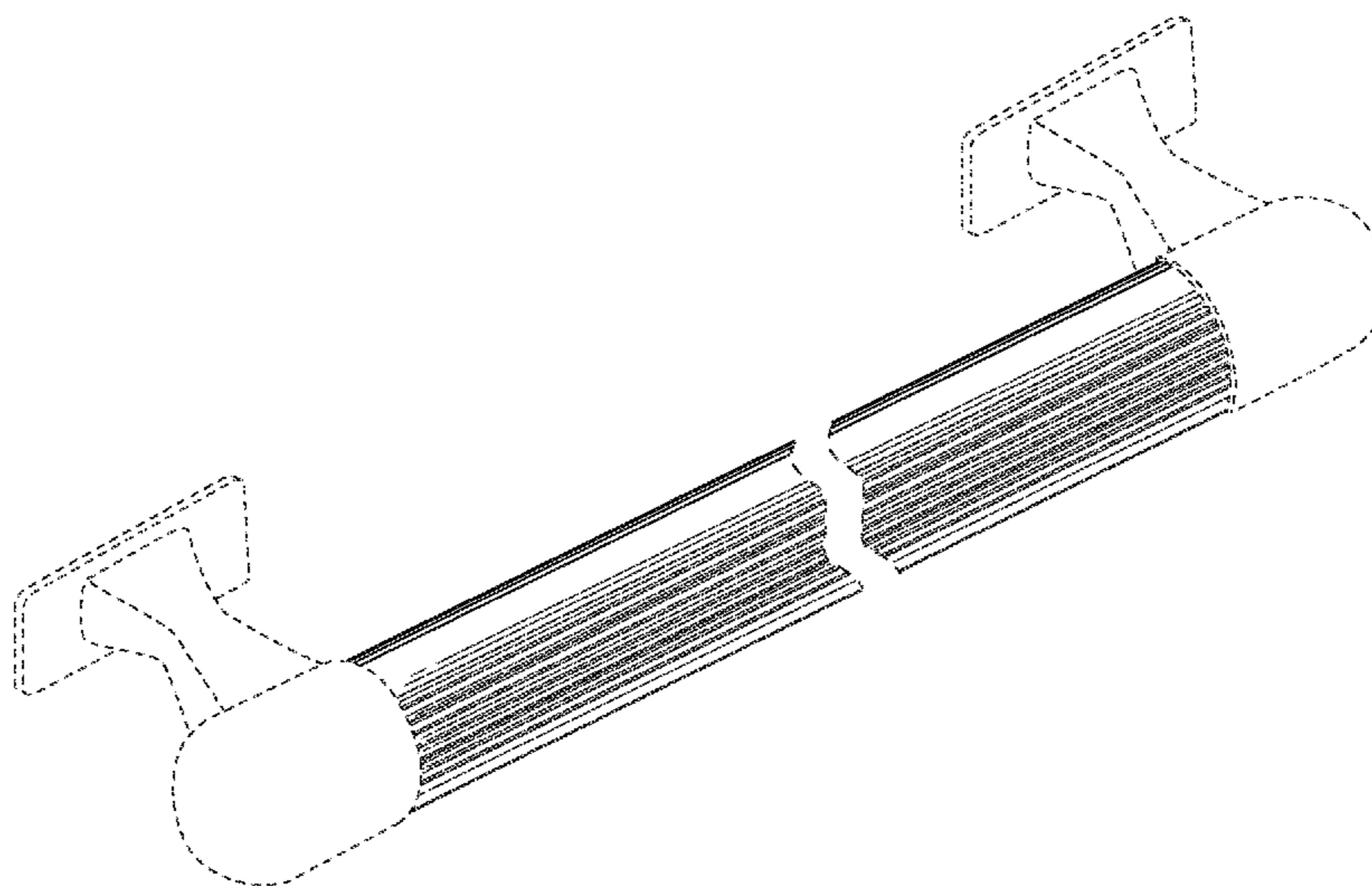
FIG. 1 is a perspective view of the ribbed grab rail with cavity for light according to the present design;
 FIG. 2 is an alternate perspective view of the ribbed grab rail with cavity for light of FIG. 1;
 FIG. 3 is an end view of the ribbed grab rail with cavity for light of FIG. 1;
 FIG. 4 is a right or left side view of the ribbed grab rail with cavity for light of FIG. 1;
 FIG. 5 is a top view of the ribbed grab rail with cavity for light of FIG. 1;
 FIG. 6 is a bottom view of the ribbed grab rail with cavity for light of FIG. 1; and,
 FIG. 7 is a perspective view of the ribbed grab rail with cavity for light of FIG. 1, as installed using stanchions.
 The claimed design is shown broken in the center for ease of illustration.

1 Claim, 3 Drawing Sheets

(56) **References Cited**

U.S. PATENT DOCUMENTS

1,311,635 A	7/1919	Baker	
2,242,461 A	5/1941	Fisher	
2,974,746 A	3/1961	Baker	
3,156,977 A	11/1964	Logan	
3,569,689 A	3/1971	Nestrock	
3,813,705 A *	6/1974	Spaulding	4/511
D236,864 S	9/1975	Tegner	
D239,798 S	5/1976	Vrignaud	
D243,093 S	1/1977	Reynolds	
4,193,586 A	3/1980	Guenther	
D263,661 S	4/1982	Thompson	
D267,840 S	2/1983	Cohen	
D272,039 S	1/1984	Stairs, Jr.	
0,290,683 A	7/1987	Dartnall	
4,729,482 A	3/1988	Nickolson	
4,895,332 A	1/1990	Hansen et al.	
D310,147 S	8/1990	Aaron	
D312,935 S	12/1990	Chap et al.	
D314,130 S	1/1991	Lee	
5,025,352 A	6/1991	Brown	
5,050,252 A	9/1991	Cuttriss	



US D647,631 S

Page 2

U.S. PATENT DOCUMENTS								
6,076,233	A	6/2000	Sasaki et al.	D491,676	S	6/2004	Self et al.	
D450,113	S	11/2001	Teskey	6,758,584	B2	7/2004	Bach et al.	
6,523,888	B1	2/2003	Yan et al.	D518,183	S *	3/2006	Hsieh	D25/38
6,554,338	B1	4/2003	Spence	7,007,366	B1	3/2006	Eby	
D474,281	S	5/2003	Hansen	D529,323	S	10/2006	Gilbert	
D476,097	S	6/2003	Yan	7,124,451	B2	10/2006	Moore	
D477,482	S	7/2003	Green	D536,597	S	2/2007	Berlovan et al.	
D481,235	S	10/2003	Gilbert	D541,391	S	4/2007	Sladick et al.	
6,647,594	B1	11/2003	Deb et al.	D559,653	S	1/2008	Reichling et al.	
D483,462	S	12/2003	Teskey	D621,955	S	8/2010	Seehof	
D484,955	S	1/2004	Shimizu	2003/0110716	A1 *	6/2003	Hansen	52/184
D486,583	S	2/2004	Self et al.	2007/0061959	A1	3/2007	Berlovan	
D491,672	S *	6/2004	Self et al.					

* cited by examiner

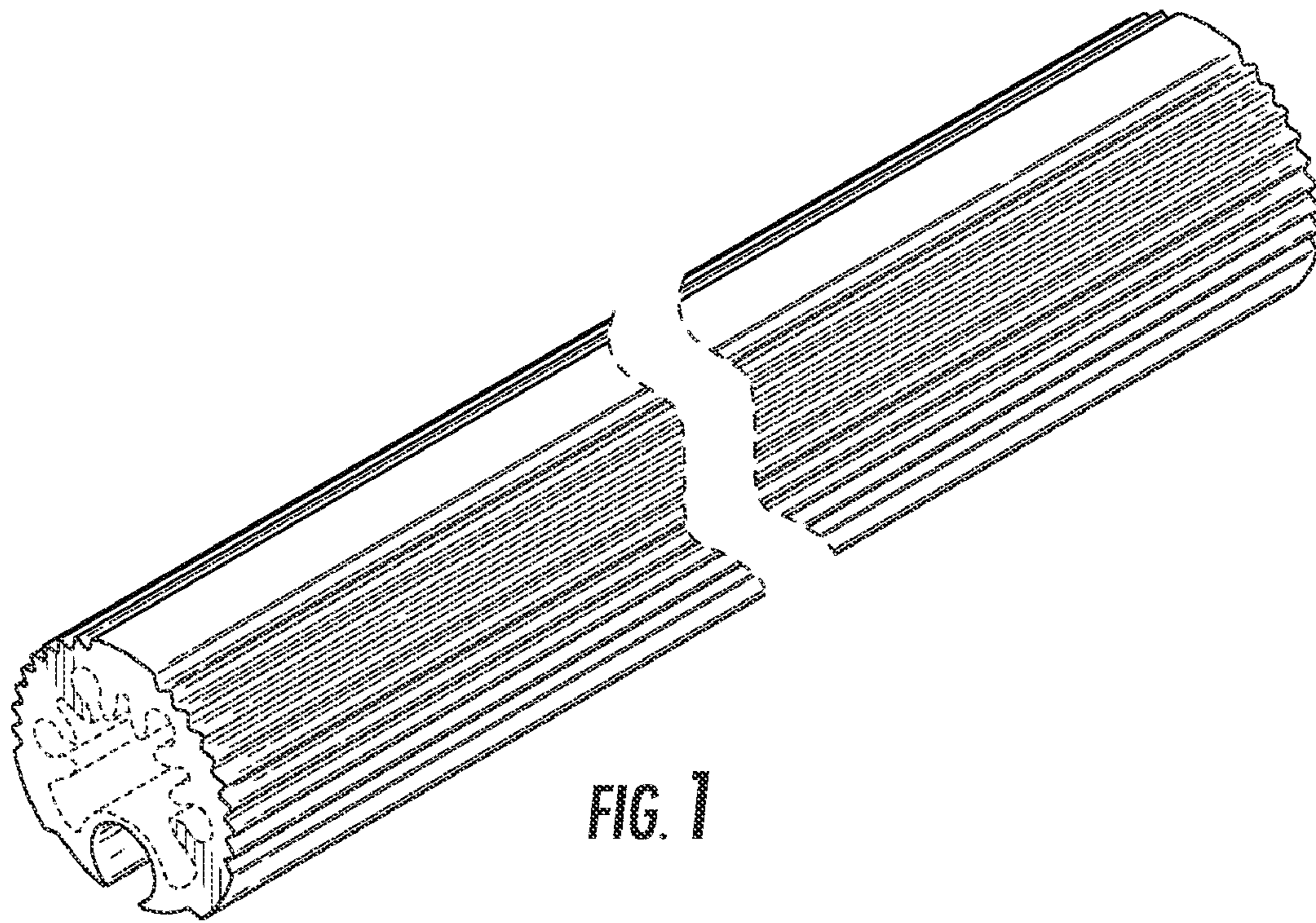


FIG. 1

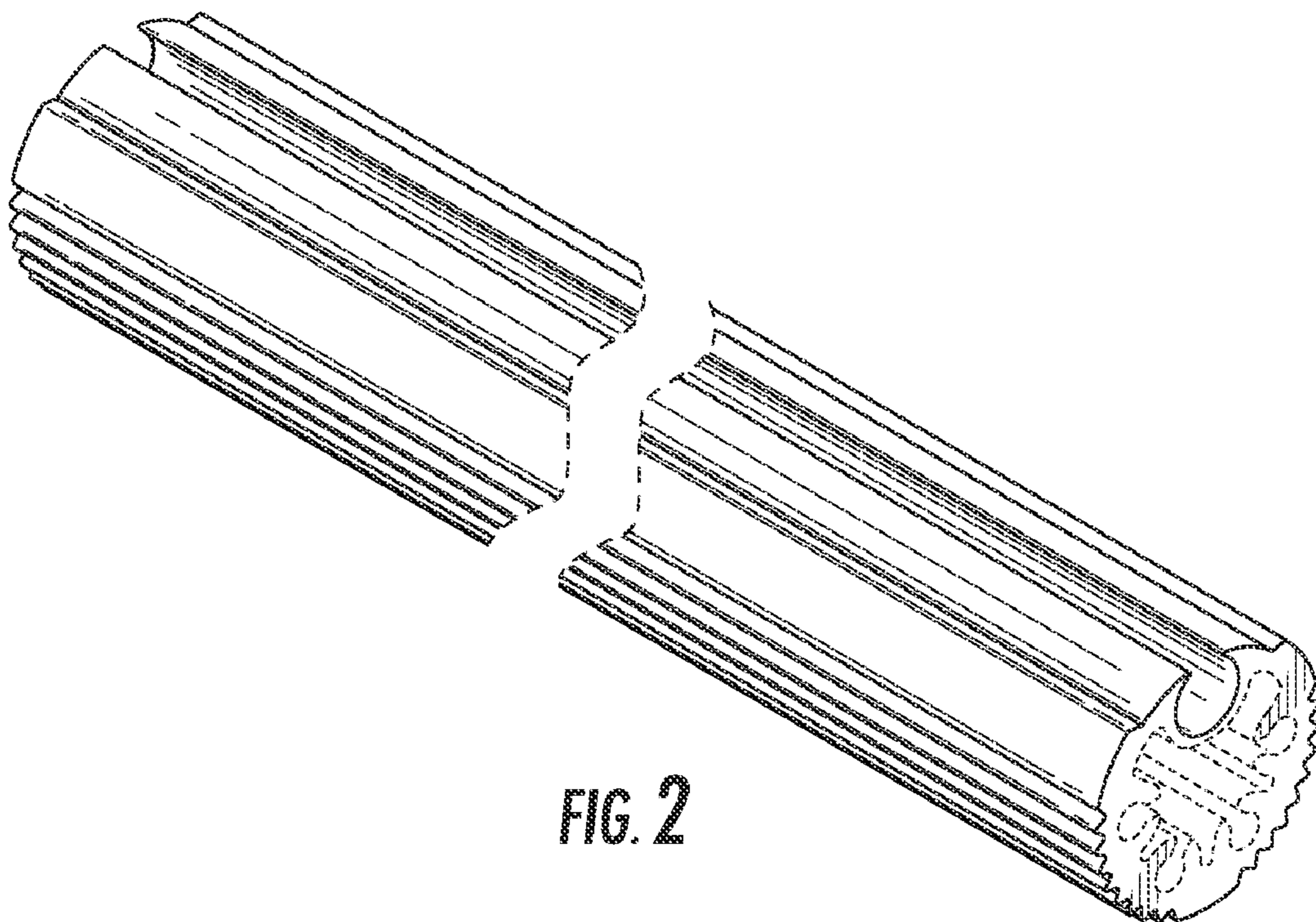


FIG. 2

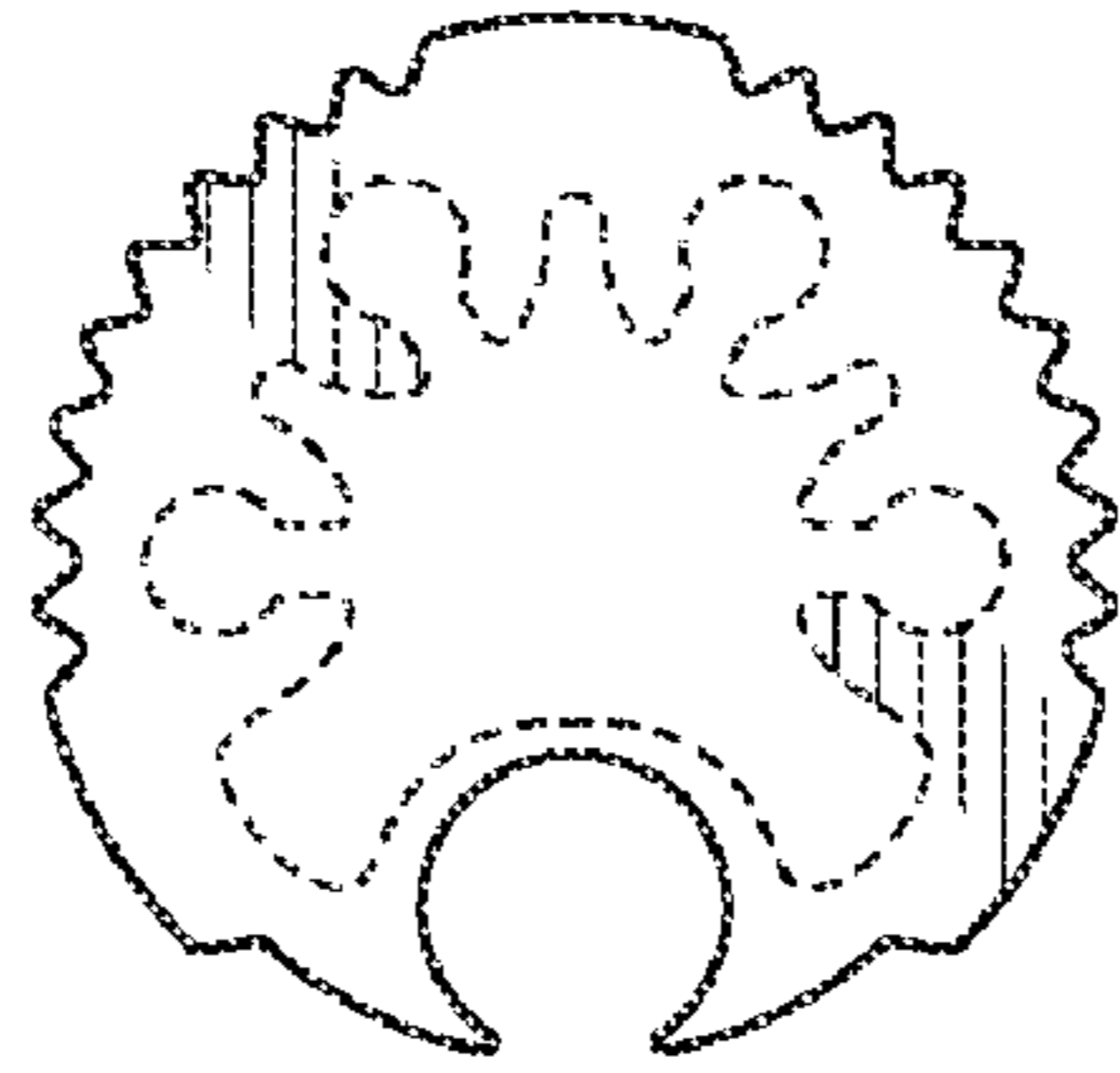


FIG. 3

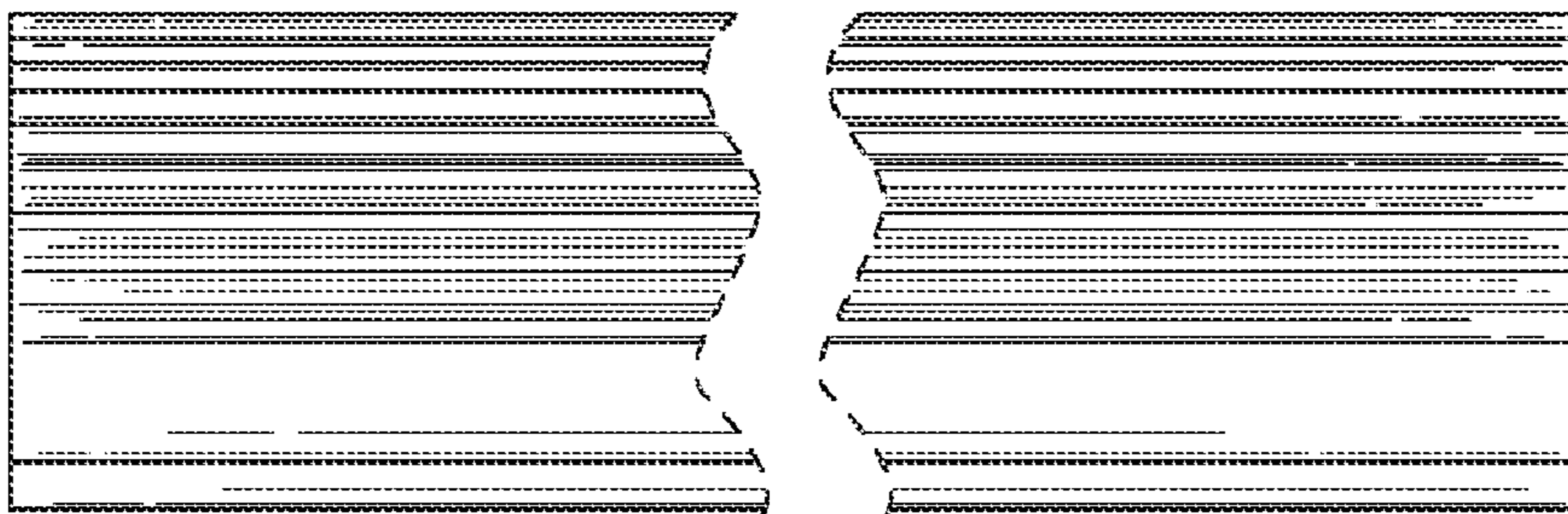


FIG. 4

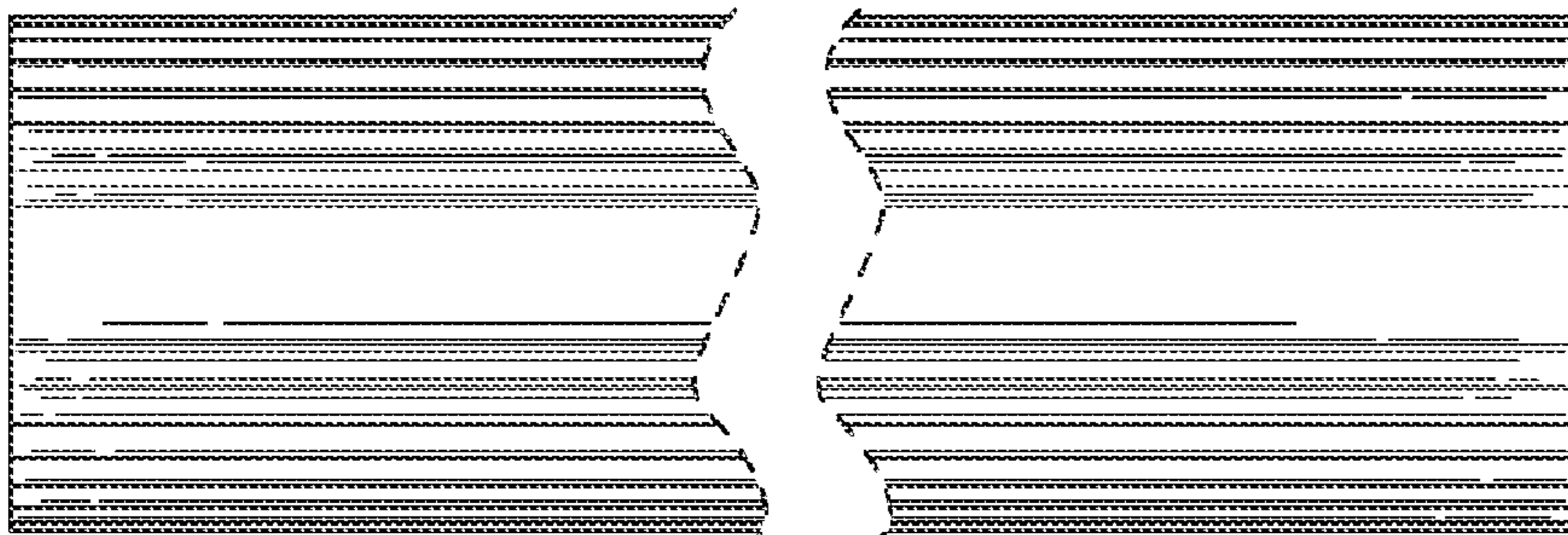


FIG. 5

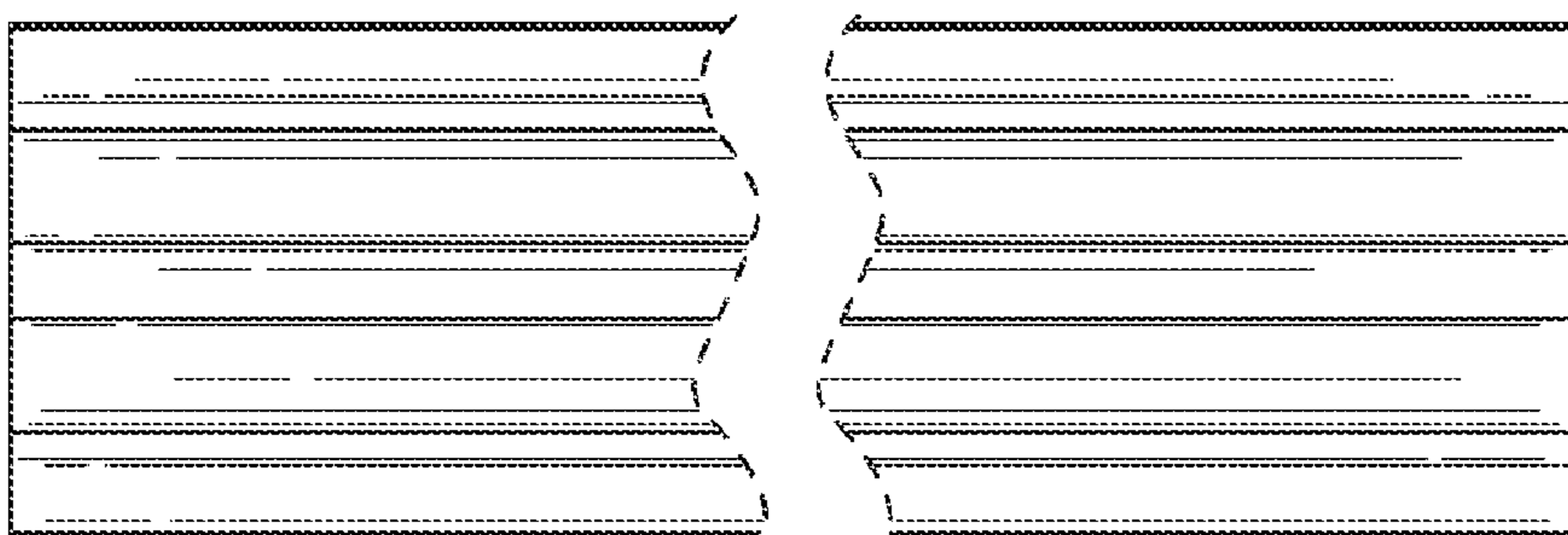


FIG. 6

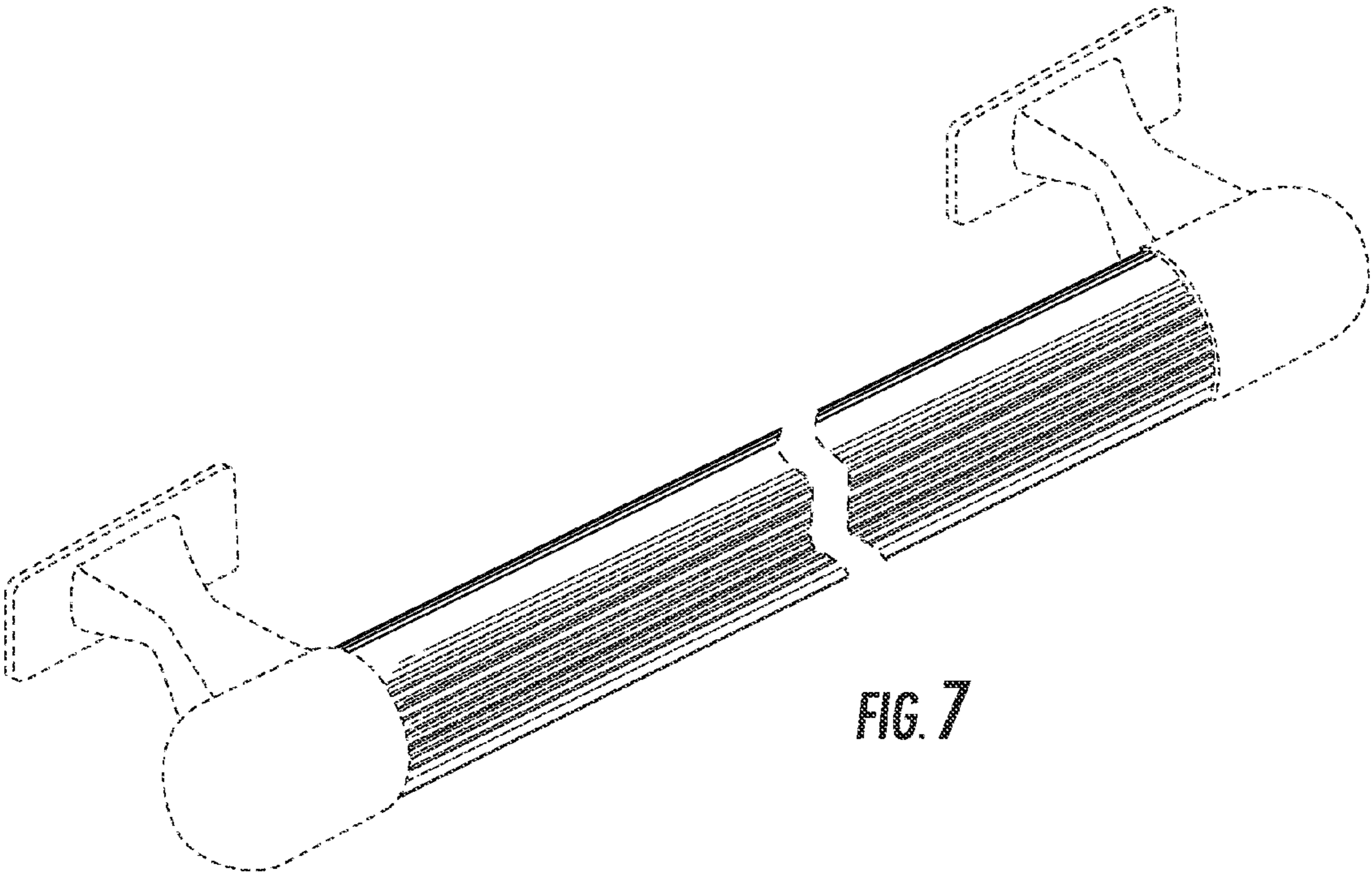


FIG. 7