



US00D647630S

(12) **United States Design Patent**
Seehof et al.

(10) **Patent No.:** **US D647,630 S**

(45) **Date of Patent:** **** *Oct. 25, 2011**

(54) **GRAB RAIL WITH TWO KNURLED PORTIONS AND REFLECTIVE TAPE, WITH CAVITY FOR LIGHT**

(75) Inventors: **John J. Seehof**, Blythewood, SC (US);
Russell D. Forseth, West Columbia, SC (US)

(73) Assignee: **Hansen International, Inc.**, Lexington, SC (US)

(**) Term: **14 Years**

(21) Appl. No.: **29/381,690**

(22) Filed: **Dec. 22, 2010**

(51) **LOC (9) Cl.** **25-02**

(52) **U.S. Cl.** **D25/41; D25/38; D6/549**

(58) **Field of Classification Search** D25/38,
D25/41; D8/315; D6/533, 549; 52/184;
4/511; 256/59; 182/106, 112, 113, 206;
211/100, 123, 124

See application file for complete search history.

(56) **References Cited**

U.S. PATENT DOCUMENTS

1,311,635 A	7/1919	Baker	
2,242,461 A	5/1941	Fisher	
2,974,746 A	3/1961	Baker	
3,156,977 A	11/1964	Logan	
3,569,689 A	3/1971	Nestrock	
3,813,705 A *	6/1974	Spaulding	4/511
D236,864 S	9/1975	Tegner	
D239,798 S	5/1976	Vrignaud	
D243,093 S	1/1977	Reynolds	
4,193,586 A	3/1980	Guenther	
D263,661 S	4/1982	Thompson	
D267,840 S	2/1983	Cohen	
D272,039 S	1/1984	Stairs, Jr.	
D290,683 S	7/1987	Dartnall	
4,729,482 A	3/1988	Nickolson	
4,895,332 A	1/1990	Hansen et al.	
D310,147 S	8/1990	Aaron	
D312,935 S	12/1990	Chap et al.	
D314,130 S	1/1991	Lee	

5,025,352 A	6/1991	Brown	
5,050,252 A	9/1991	Cuttriss	
D327,196 S	6/1992	Crook et al.	
D333,966 S	3/1993	Levien	
5,190,267 A *	3/1993	Schmitt et al.	256/59
D344,592 S	2/1994	Zaccai et al.	
5,295,595 A	3/1994	Gobidas et al.	

(Continued)

Primary Examiner — Doris Clark

(74) *Attorney, Agent, or Firm* — Dority & Manning, P.A.

(57) **CLAIM**

The ornamental design for a grab rail with two knurled portions and reflective tape, with cavity for light, as shown and described.

DESCRIPTION

FIG. 1 is a perspective view of the grab rail with two knurled portions and reflective tape with cavity for light according to the present design showing a grab rail with two knurled portions, three flat portions, reflective tape atop the flat portions, and a cavity for receiving a lighting element;

FIG. 2 is an alternate perspective view of the grab rail with two knurled portions and reflective tape with cavity for light of FIG. 1;

FIG. 3 is an end view of the grab rail with two knurled portions and reflective tape with cavity for light of FIG. 1;

FIG. 4 is a right or left side view of the grab rail with two knurled portions and reflective tape with cavity for light of FIG. 1;

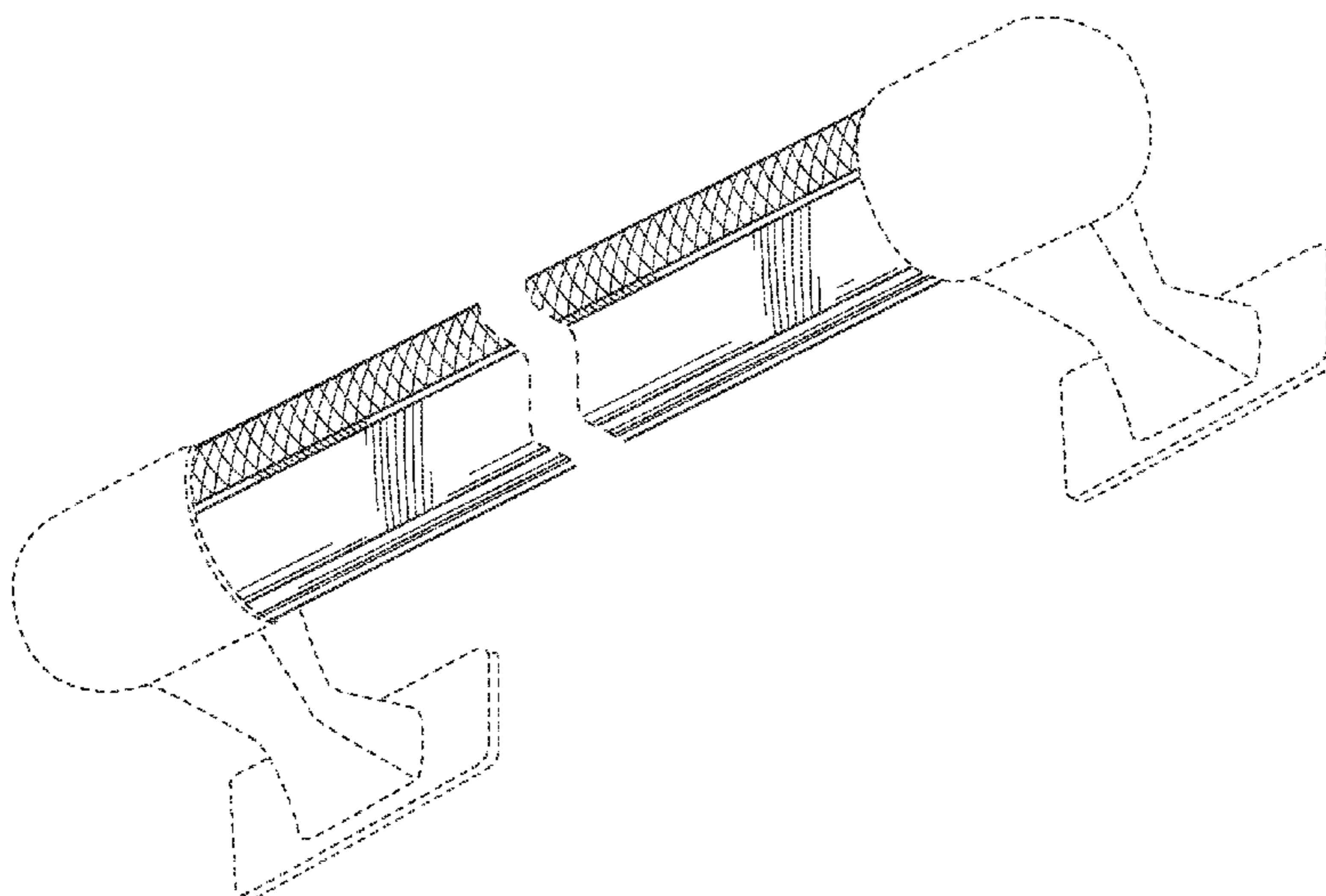
FIG. 5 is a top view of the grab rail with two knurled portions and reflective tape with cavity for light of FIG. 1;

FIG. 6 is a bottom view of the grab rail with two knurled portions and reflective tape with cavity for light of FIG. 1; and,

FIG. 7 is a perspective view of the grab rail with two knurled portions and reflective tape with cavity for light of FIG. 1, as installed using stanchions.

The claimed design is shown broken in the center for ease of illustration.

1 Claim, 3 Drawing Sheets



US D647,630 S

Page 2

U.S. PATENT DOCUMENTS

5,297,010	A	3/1994	Camarota et al.	D481,235	S	10/2003	Gilbert	
5,504,974	A	4/1996	Graber	6,647,594	B1	11/2003	Deb et al.	
D380,956	S	7/1997	Collins	D483,462	S	12/2003	Teskey	
5,657,968	A	8/1997	Marsden	D484,955	S	1/2004	Shimizu	
D385,177	S	10/1997	Perry	D486,583	S	2/2004	Self et al.	
5,690,237	A	11/1997	Marzec	D491,672	S *	6/2004	Self et al.	D25/41
D388,272	S	12/1997	Moore	6,758,584	B2	7/2004	Bach et al.	
5,743,064	A *	4/1998	Bennett 52/718.04	D518,183	S *	3/2006	Hsieh D25/38	
5,779,228	A	7/1998	Hansen	7,007,366	B1	3/2006	Eby	
D407,932	S	4/1999	Sweetman	D529,323	S	10/2006	Gilbert	
6,076,233	A	6/2000	Sasaki et al.	7,124,451	B2	10/2006	Moore	
D450,113	S	11/2001	Teskey	D536,597	S	2/2007	Berlovan et al.	
6,523,888	B1	2/2003	Yan et al.	D541,391	S	4/2007	Sladick et al.	
6,554,338	B1	4/2003	Spence	D559,653	S	1/2008	Reichling et al.	
D474,281	S	5/2003	Hansen	D621,955	S	8/2010	Seehof	
D476,097	S	6/2003	Yan	2003/0110716	A1 *	6/2003	Hansen 52/184	
D477,482	S	7/2003	Green	2007/0061959	A1	3/2007	Berlovan	

* cited by examiner

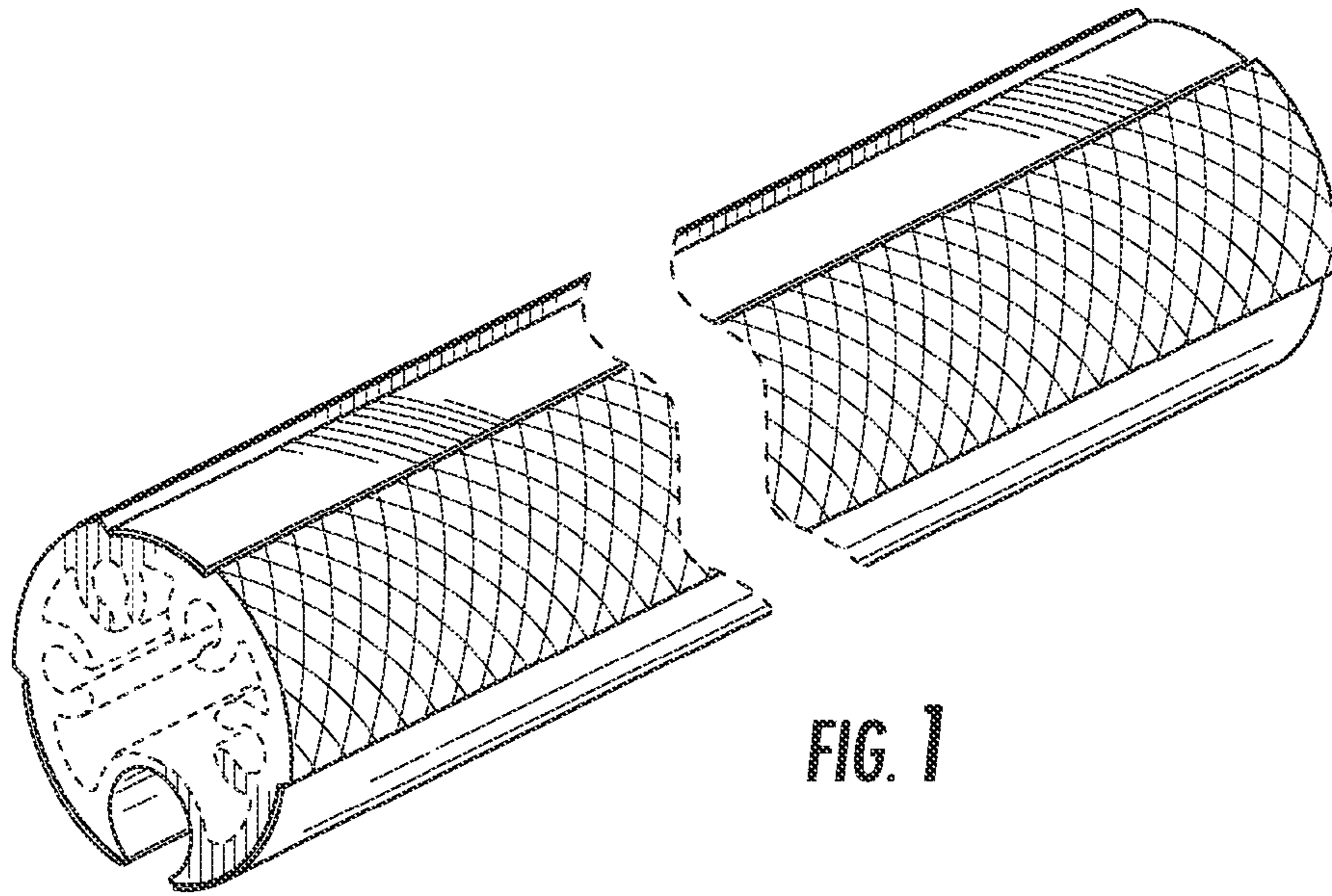


FIG. 1

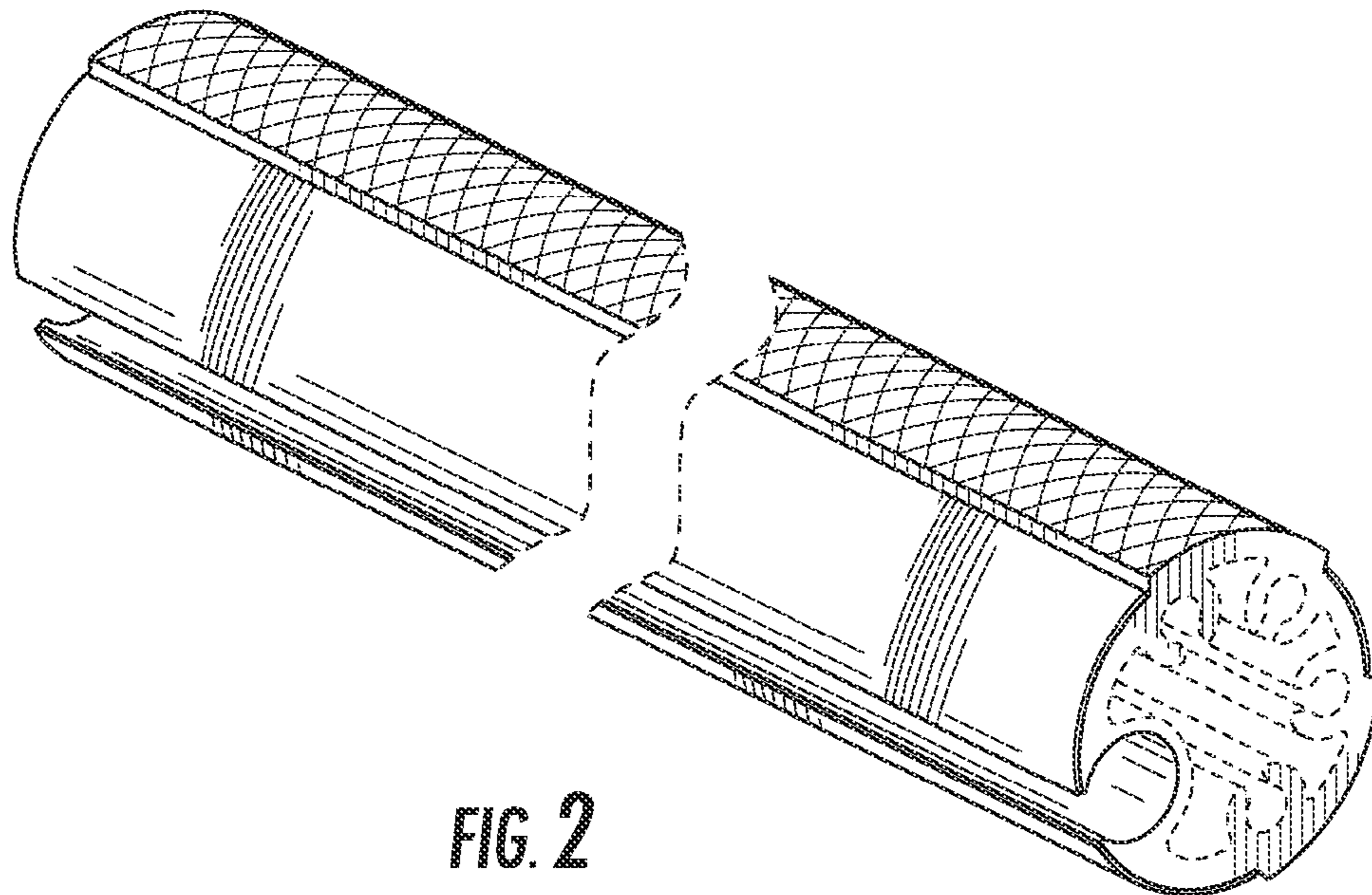
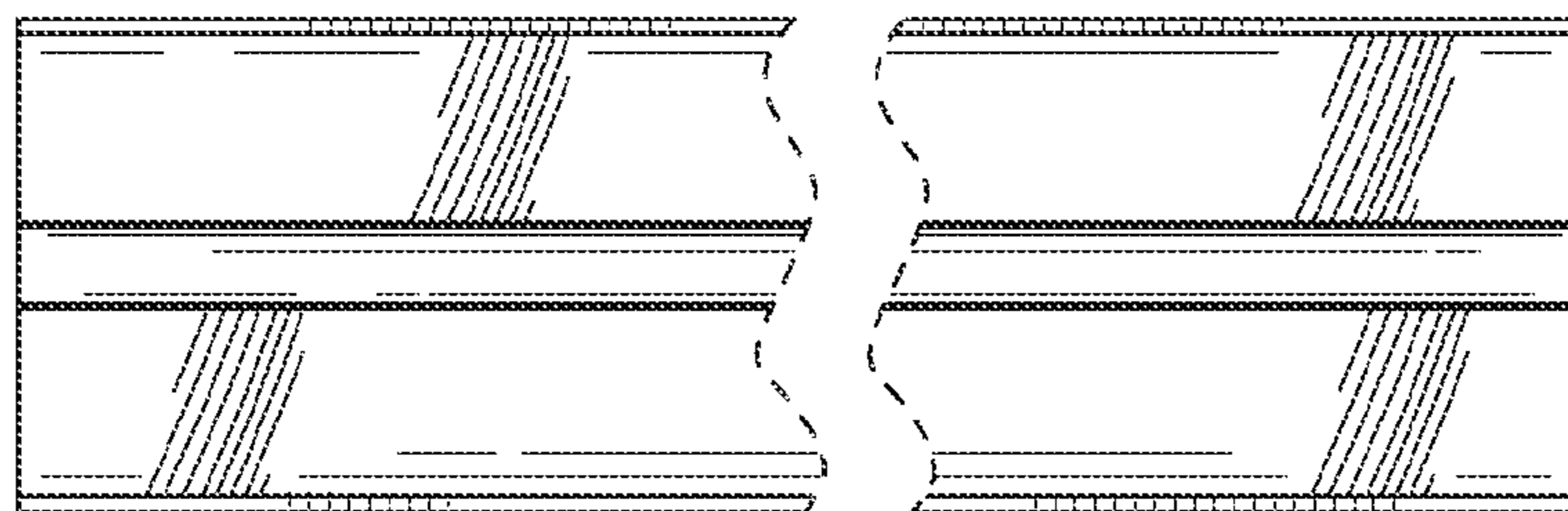
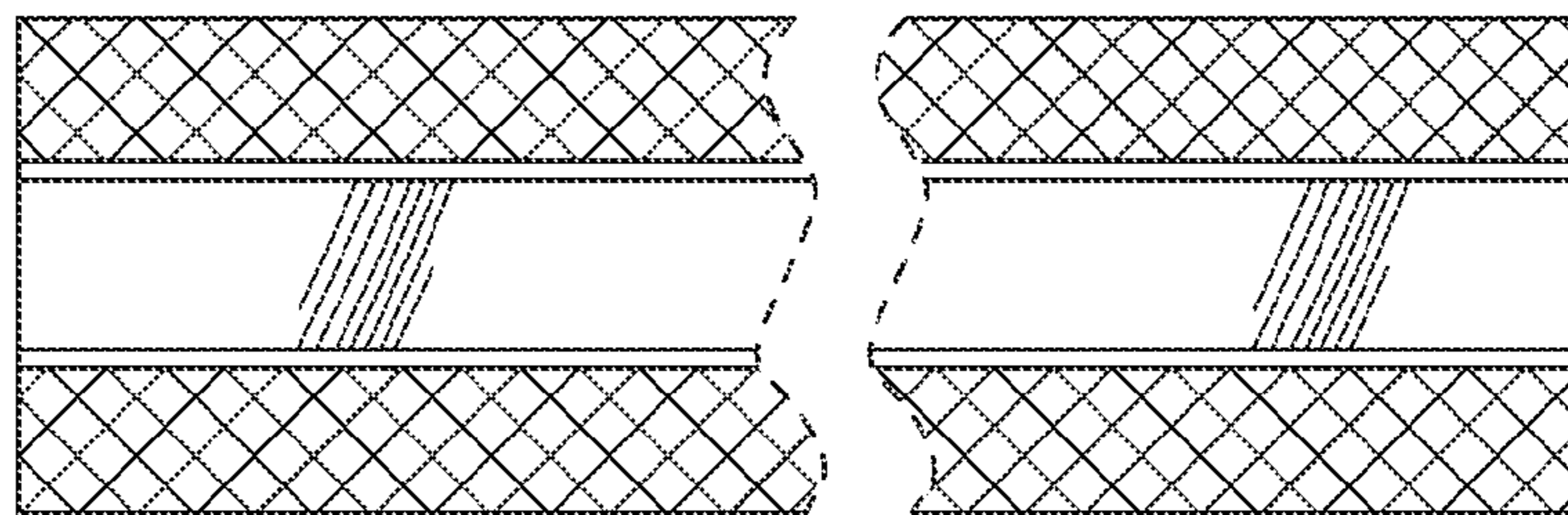
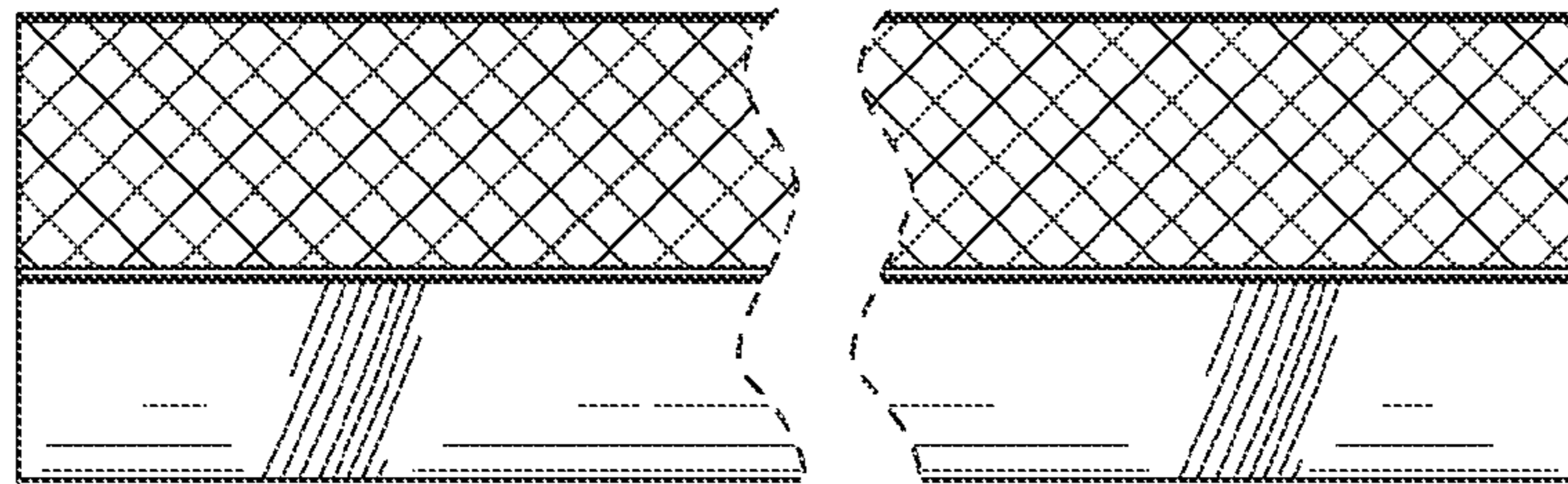
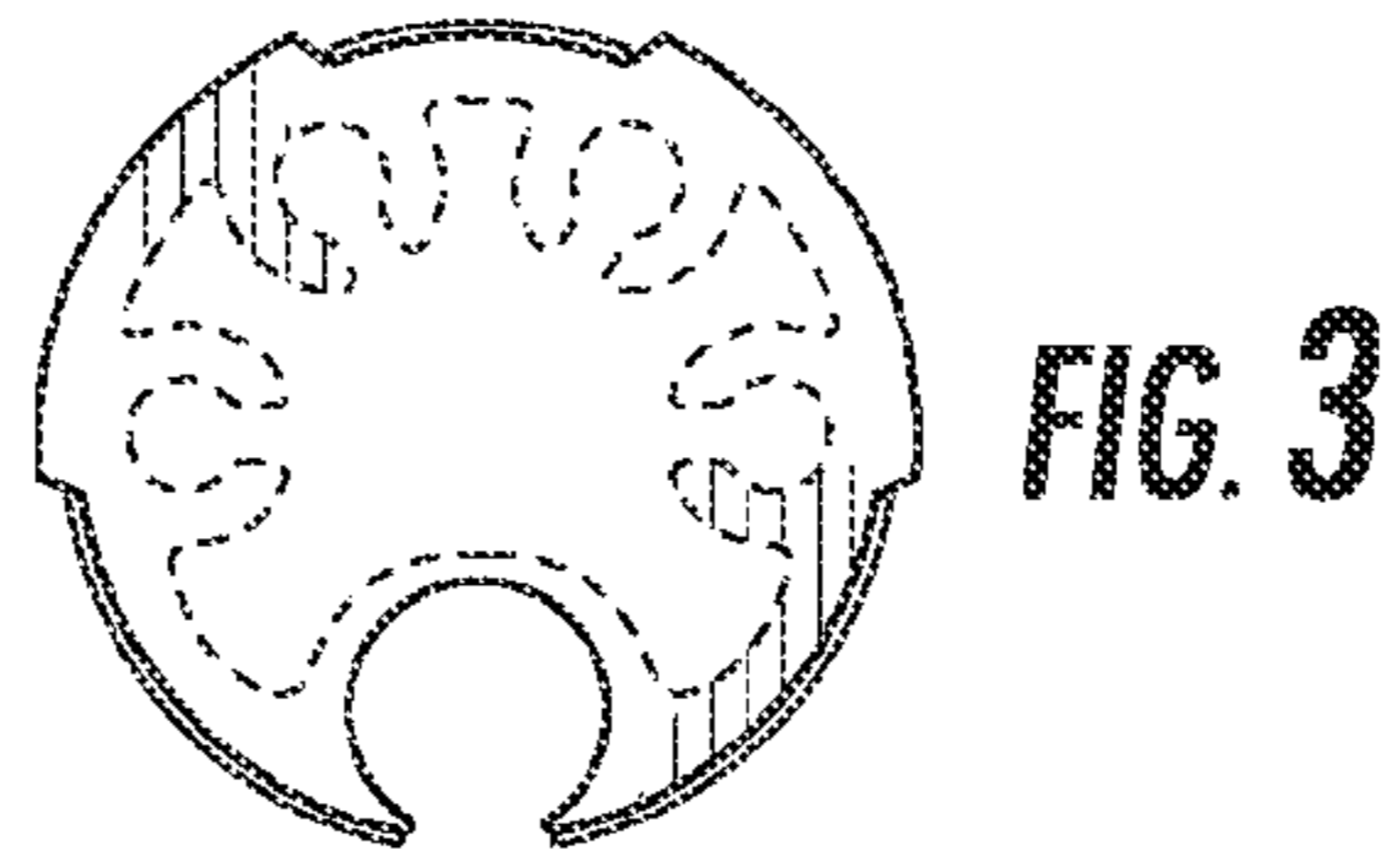


FIG. 2



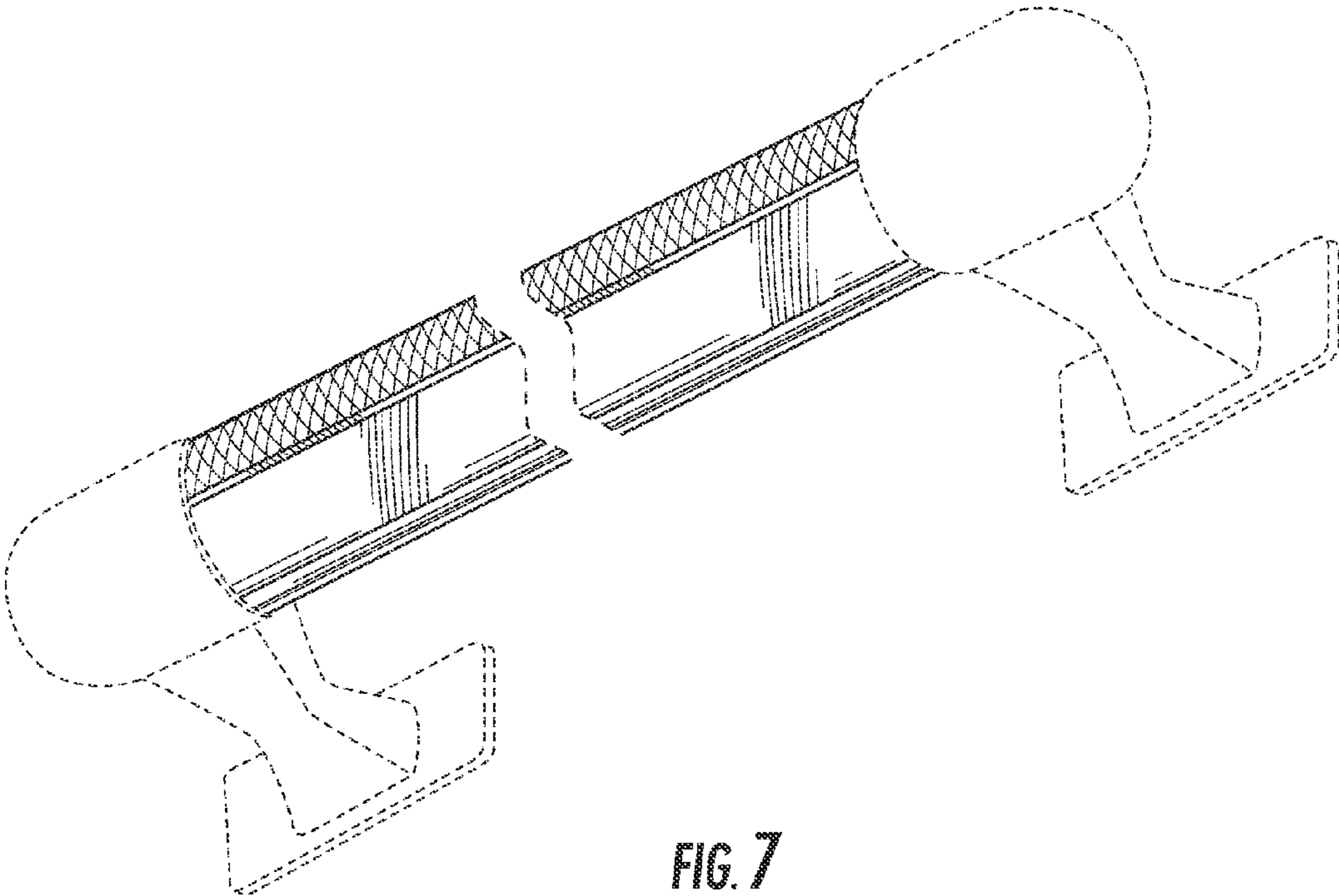


FIG. 7