



US00D647629S

(12) **United States Design Patent**
Seehof

(10) **Patent No.:** **US D647,629 S**

(45) **Date of Patent:** **** *Oct. 25, 2011**

(54) **GRAB RAIL WITH THREE KNURLED PORTIONS**

(75) Inventor: **John J. Seehof**, Blythewood, SC (US)

(73) Assignee: **Hansen International, Inc.**, Lexington, SC (US)

(**) Term: **14 Years**

(21) Appl. No.: **29/375,316**

(22) Filed: **Sep. 21, 2010**

(51) **LOC (9) Cl.** **25-02**

(52) **U.S. Cl.** **D25/41; D25/38**

(58) **Field of Classification Search** D25/38,
D25/41; 52/184; 4/511; D8/315; D6/533,
D6/549; 182/106, 112, 113, 206; 256/59;
211/123, 134, 100

See application file for complete search history.

D327,196 S	6/1992	Crook et al.	
5,127,131 A *	7/1992	Corrigan et al.	16/422
D333,966 S	3/1993	Levien	
5,190,267 A *	3/1993	Schmitt et al.	256/59
D344,592 S	2/1994	Zaccai et al.	
5,295,595 A	3/1994	Gobidas et al.	
5,297,010 A	3/1994	Camarota et al.	
5,504,974 A	4/1996	Graber	
D380,956 S	7/1997	Collins	
5,657,968 A	8/1997	Marsden	
D385,177 S	10/1997	Perry	
5,690,237 A	11/1997	Marzec	
D388,272 S	12/1997	Moore	
5,743,064 A *	4/1998	Bennett	52/718.04
5,779,228 A	7/1998	Hansen	

(Continued)

Primary Examiner — Doris Clark

(74) *Attorney, Agent, or Firm* — Dority & Manning, P.A.

(57) **CLAIM**

The ornamental design for a grab rail with three knurled portions, as shown and described.

DESCRIPTION

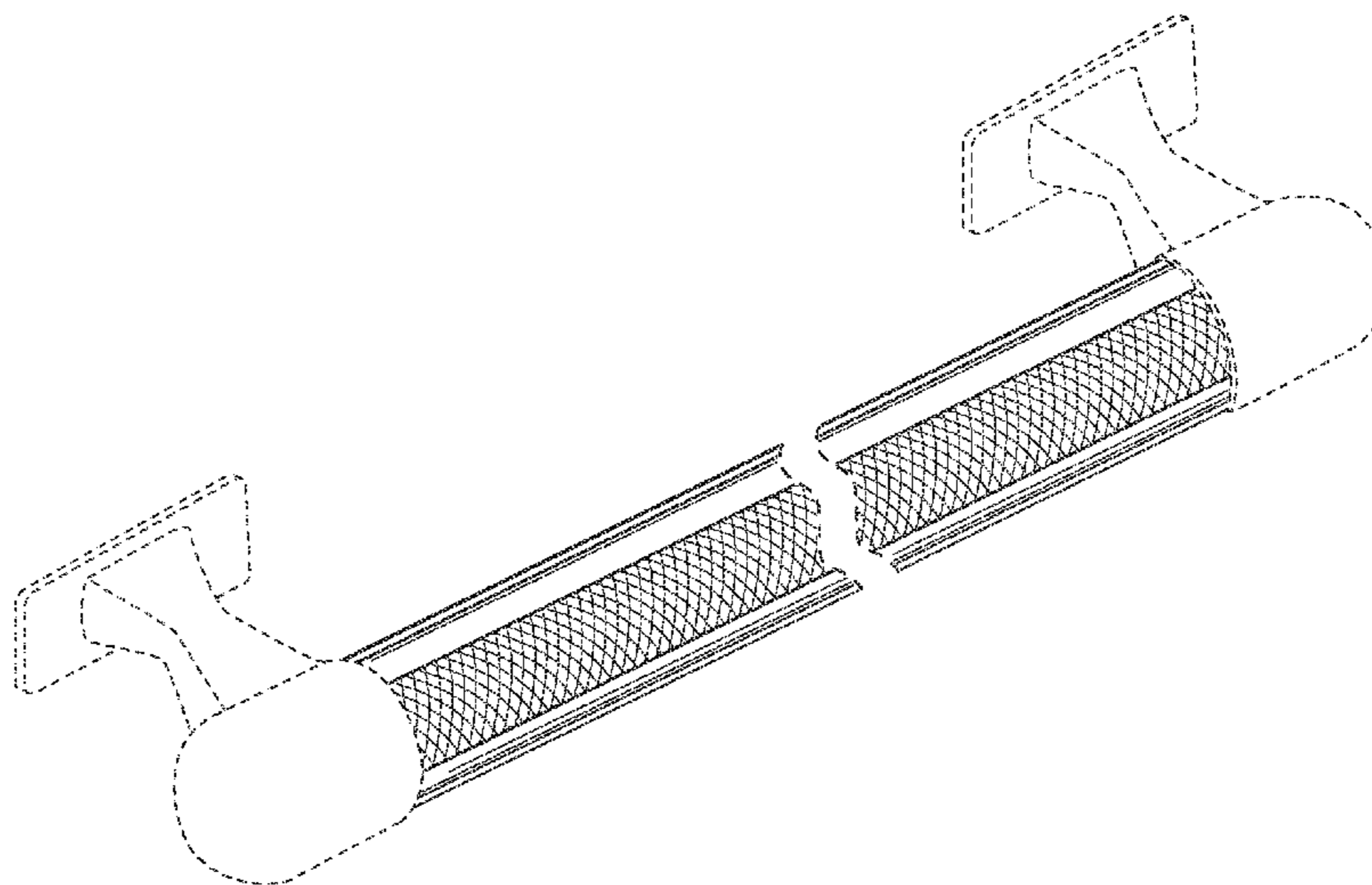
FIG. 1 is a perspective view of the grab rail with three knurled portions according to the present design;
 FIG. 2 is an alternate perspective view of the grab rail with three knurled portions of FIG. 1;
 FIG. 3 is an end view of the grab rail with three knurled portions of FIG. 1;
 FIG. 4 is a right or left side view of the grab rail with three knurled portions of FIG. 1;
 FIG. 5 is a top view of the grab rail with three knurled portions of FIG. 1;
 FIG. 6 is a bottom view of the grab rail with three knurled portions of FIG. 1; and,
 FIG. 7 is a perspective view of the grab rail with three knurled portions of FIG. 1, as installed using stanchions.
 The claimed design is shown broken in the center for ease of illustration.

1 Claim, 3 Drawing Sheets

(56) **References Cited**

U.S. PATENT DOCUMENTS

1,311,635 A	7/1919	Baker	
2,242,461 A	5/1941	Fisher	
2,974,746 A	3/1961	Baker	
3,156,977 A	11/1964	Logan	
3,569,689 A	3/1971	Nestrock	
3,813,705 A *	6/1974	Spaulding	4/511
D236,864 S	9/1975	Tegner	
D239,798 S	5/1976	Vrignaud	
D243,093 S	1/1977	Reynolds	
4,193,586 A	3/1980	Guenther	
D263,661 S	4/1982	Thompson	
D267,840 S	2/1983	Cohen	
D272,039 S	1/1984	Stairs, Jr.	
D290,683 S	7/1987	Dartnall	
4,729,482 A	3/1988	Nickolson	
4,895,332 A	1/1990	Hansen et al.	
D310,147 S	8/1990	Aaron	
D312,935 S	12/1990	Chap et al.	
D314,130 S	1/1991	Lee	
5,025,352 A	6/1991	Brown	
5,050,252 A	9/1991	Cuttriss	



US D647,629 S

Page 2

U.S. PATENT DOCUMENTS

D407,932 S	4/1999	Sweetman	D491,672 S *	6/2004	Self et al.	D25/41
6,076,233 A	6/2000	Sasaki et al.	D491,676 S	6/2004	Self et al.	
D450,113 S	11/2001	Teskey	6,758,584 B2	7/2004	Bach et al.	
6,523,888 B1	2/2003	Yan et al.	D518,183 S *	3/2006	Hsieh	D25/38
6,554,338 B1	4/2003	Spence	7,007,366 B1	3/2006	Eby	
D474,281 S	5/2003	Hansen	D529,323 S	10/2006	Gilbert	
D476,097 S	6/2003	Yan	7,124,451 B2	10/2006	Moore	
D477,482 S	7/2003	Green	D536,597 S	2/2007	Berlovan et al.	
D481,235 S	10/2003	Gilbert	061,959 A1	3/2007	Berlovan	
6,647,594 B1	11/2003	Deb et al.	D541,391 S	4/2007	Sladick et al.	
D483,462 S	12/2003	Teskey	D559,653 S	1/2008	Reichling et al.	
D484,955 S	1/2004	Shimizu	D621,955 S	8/2010	Seehof	
D486,583 S	2/2004	Self et al.	2003/0110716 A1 *	6/2003	Hansen	52/184

* cited by examiner

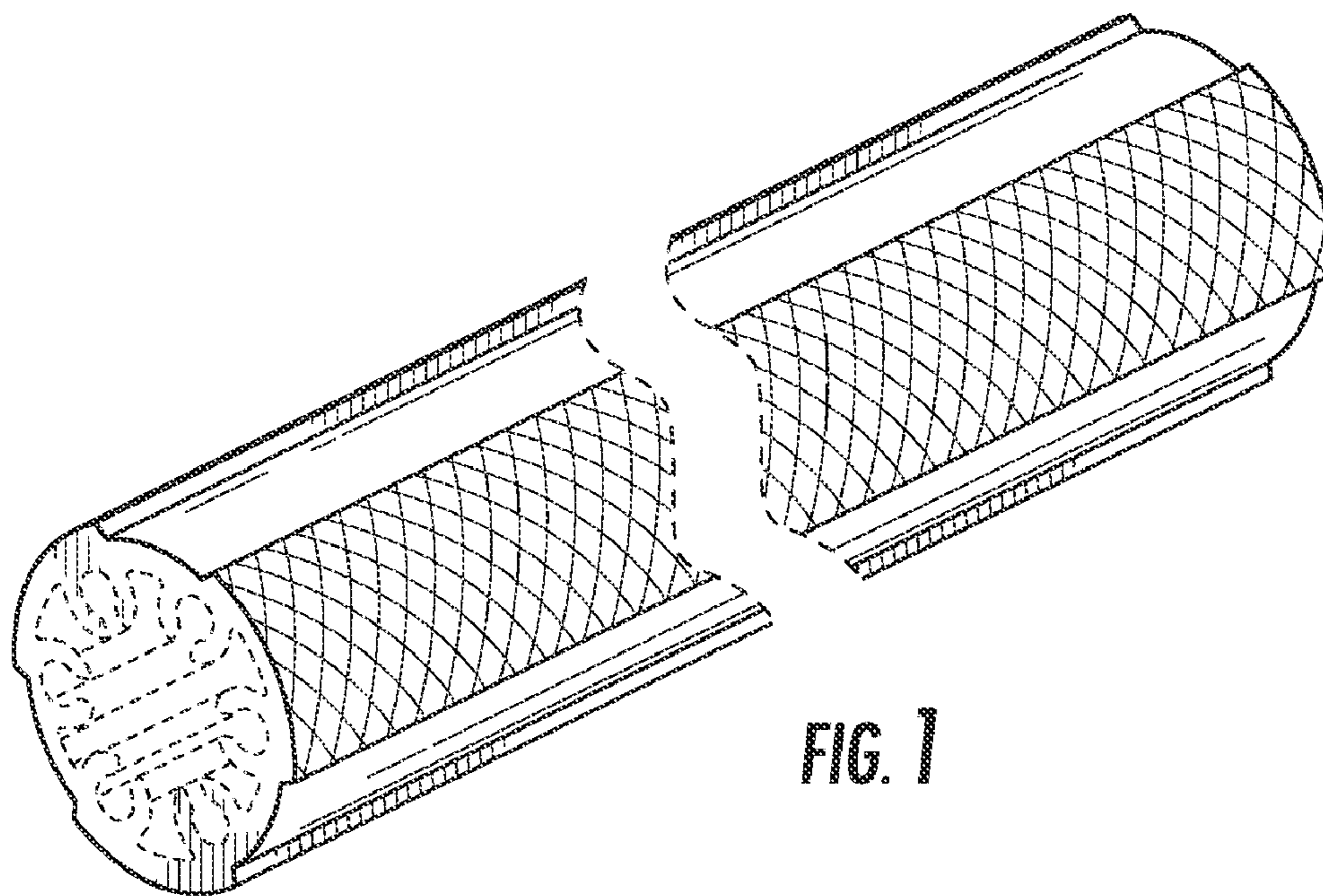


FIG. 1

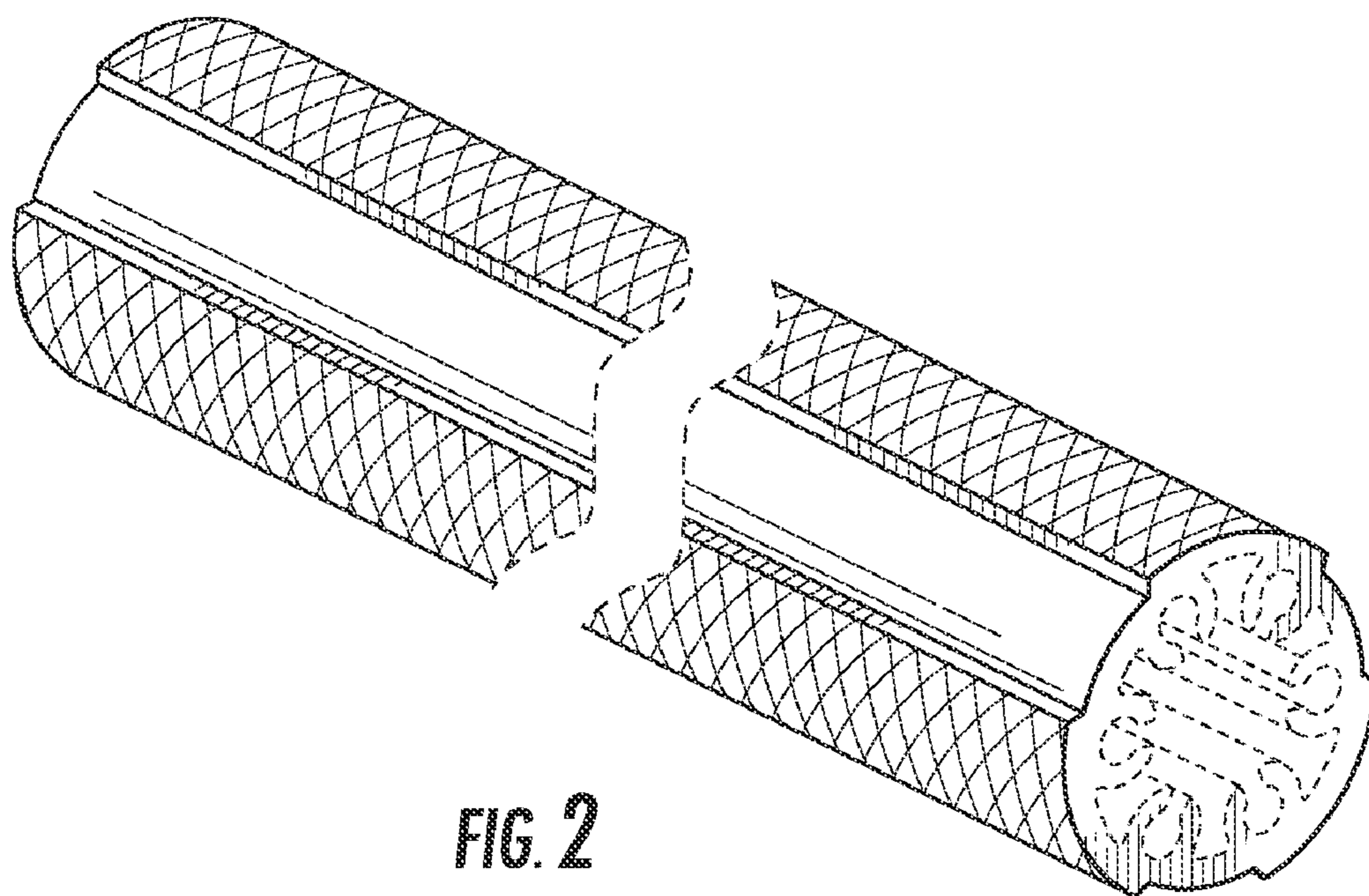


FIG. 2

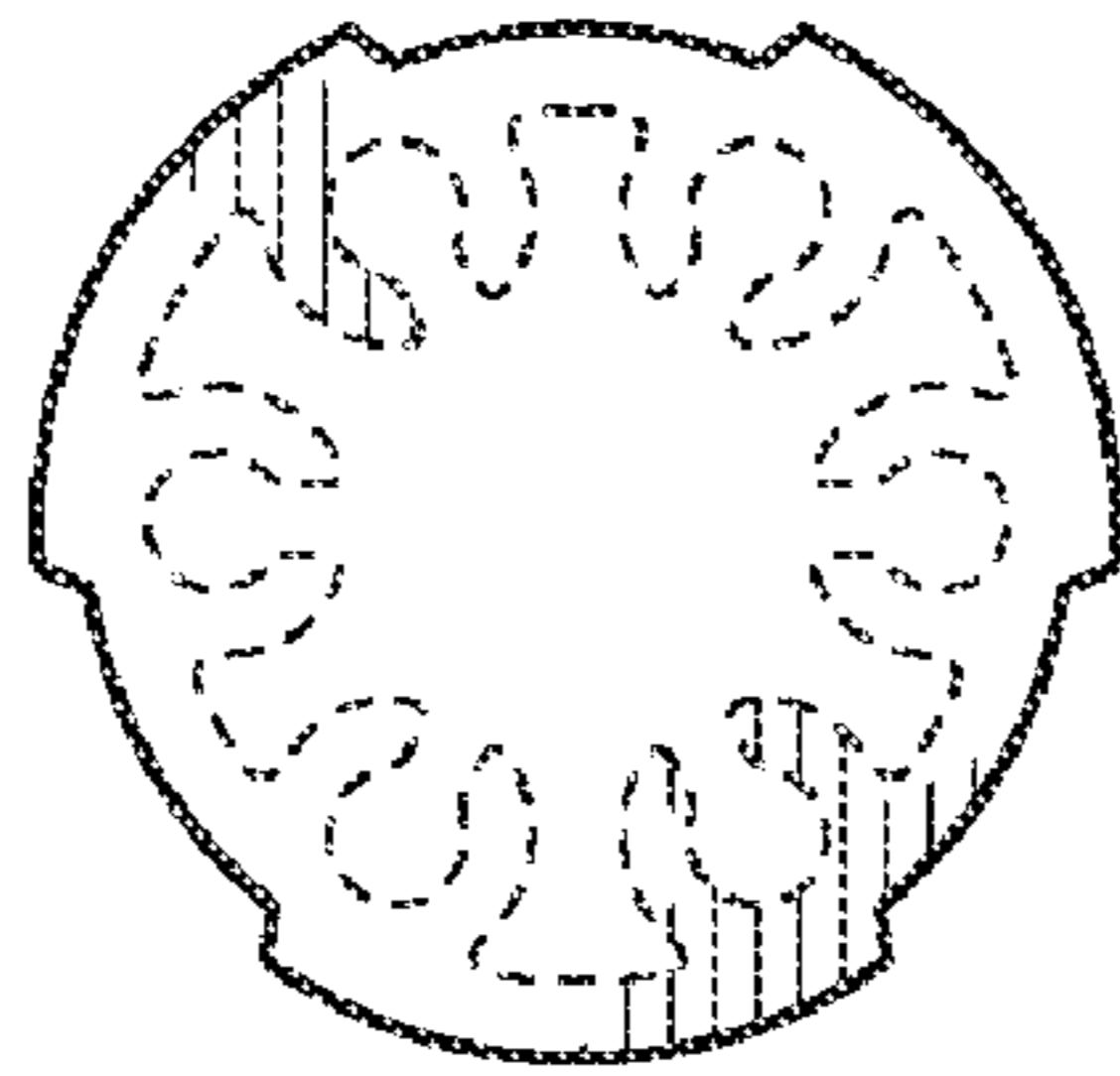


FIG. 3

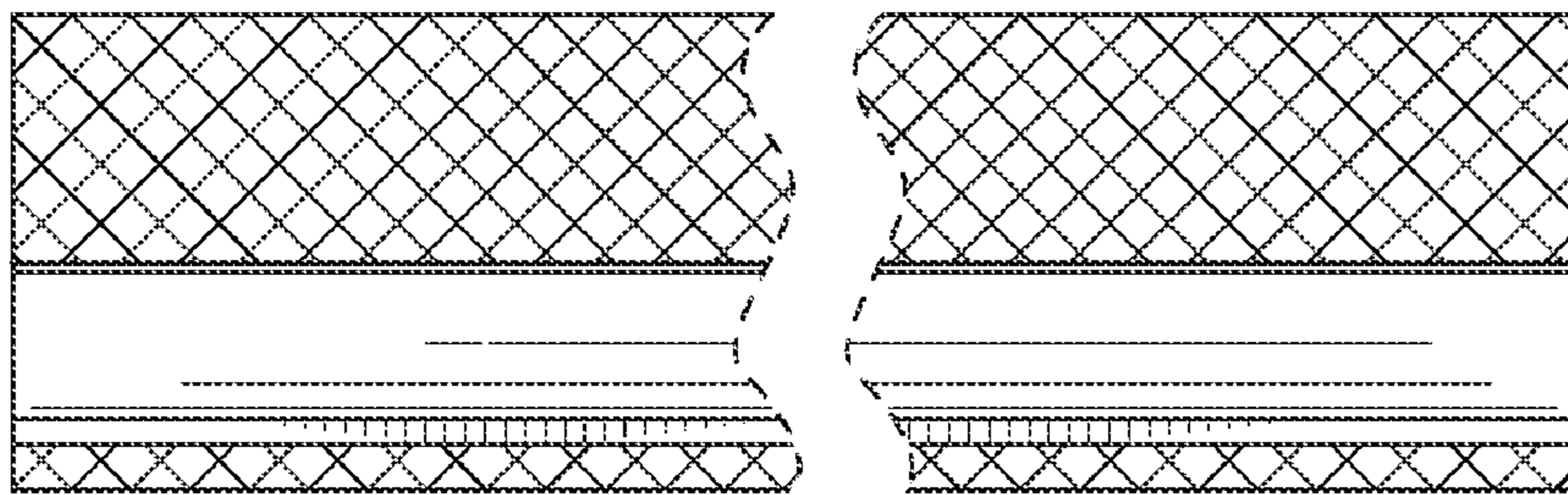


FIG. 4

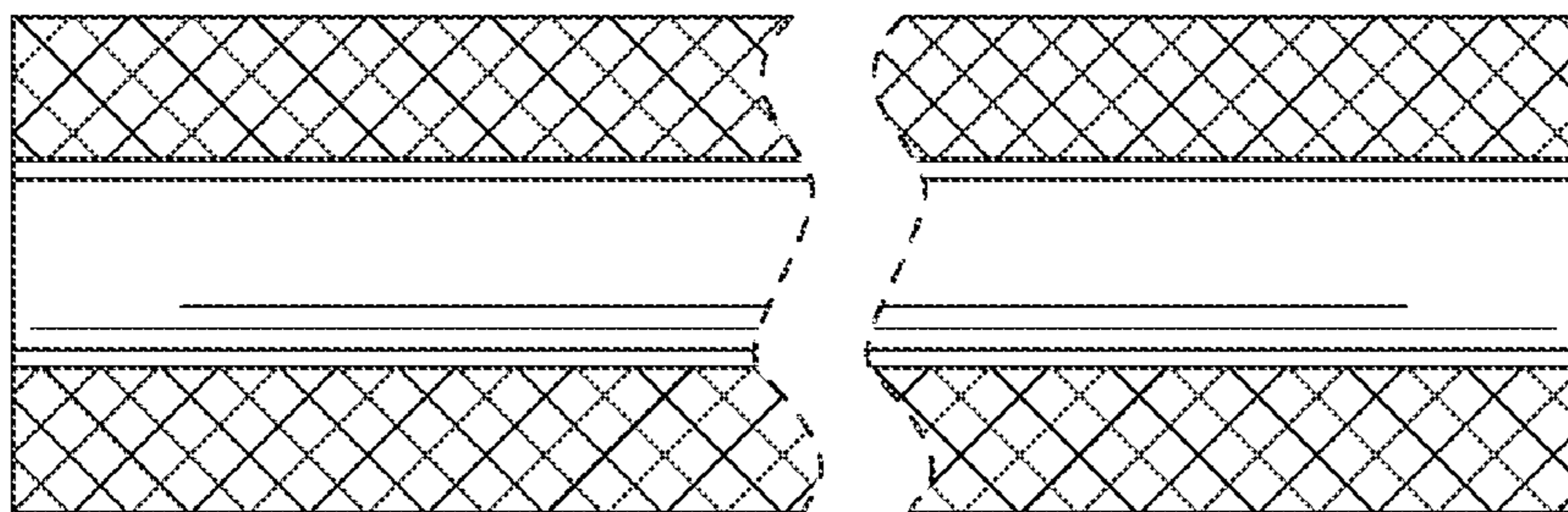


FIG. 5

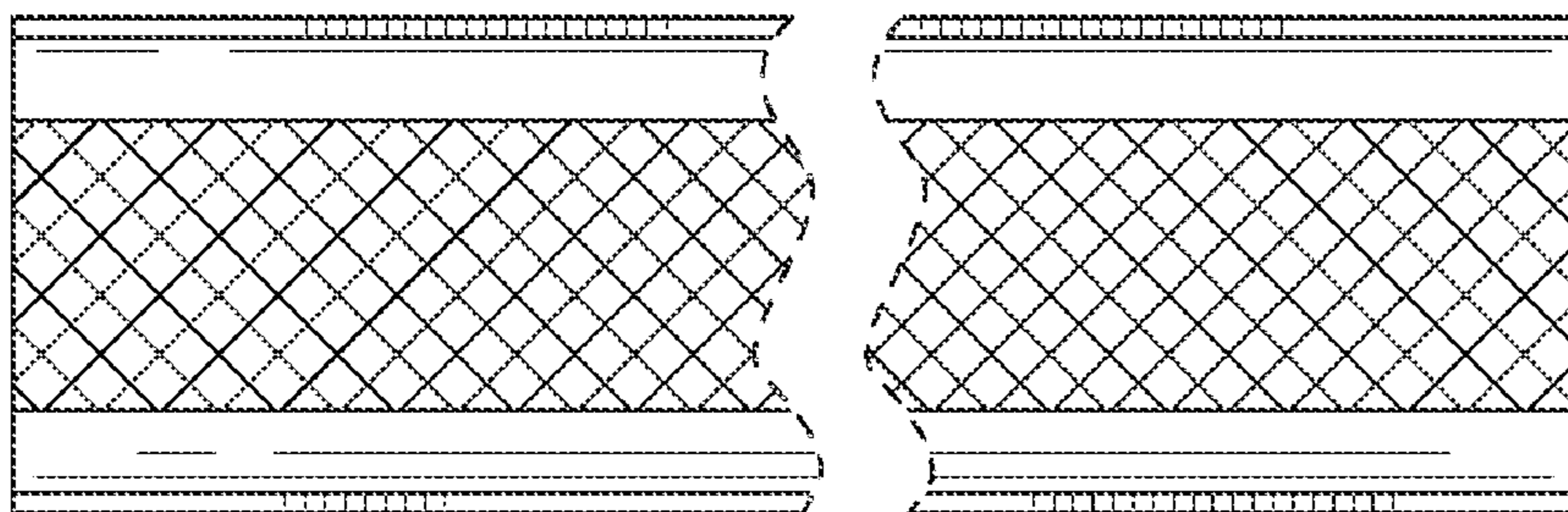


FIG. 6

