



US00D647628S

(12) **United States Design Patent**
Helfteren

(10) **Patent No.:** **US D647,628 S**
(45) **Date of Patent:** **** Oct. 25, 2011**

(54) **STORAGE MODULE FOR SURGICAL DEVICES, IN PARTICULAR FOR BONEPLATE TEMPLATES**

(75) Inventor: **Alwin Van Helfteren**, Freiburg (DE)

(73) Assignee: **Stryker Leibinger GmbH & Co. KG** (DE)

(**) Term: **14 Years**

(21) Appl. No.: **29/310,276**

(22) Filed: **Aug. 6, 2008**

(30) **Foreign Application Priority Data**

Feb. 12, 2008 (DE) 402008000764

(51) **LOC (9) Cl.** **24-02**

(52) **U.S. Cl.** **D24/229**

(58) **Field of Classification Search** D24/216, D24/152, 171, 224, 227-232, 176; D9/414-415, D9/418, 423-429, 432, 435, 761; 220/4.21-4.22, 220/23.8, 23.87, 532-533, 835; 206/386, 206/425, 508, 511, 518-521, 541, 555, 558, 206/564, 406; 422/102, 104; D6/406.1-406.3
See application file for complete search history.

(56) **References Cited**

U.S. PATENT DOCUMENTS

D202,013 S *	8/1965	Hamilton	D24/229
D209,641 S *	12/1967	Goldberg	D24/230
D213,933 S *	4/1969	Folkman	D24/230
D213,934 S *	4/1969	Folkman	D24/229
D218,077 S *	7/1970	Gabrial	D24/229
D221,035 S *	6/1971	Raimas	206/558
D225,467 S *	12/1972	Burke et al.	D24/230
D226,266 S *	2/1973	Rem	229/406
D240,537 S *	7/1976	Srounce	D24/230
D249,362 S *	9/1978	Forsman et al.	D24/230
D262,824 S *	1/1982	Dignan	D24/229
D262,995 S *	2/1982	Gaba et al.	D24/229
D268,130 S *	3/1983	Easton	D24/230

D276,462 S *	11/1984	Villarreal	D24/229
D283,160 S *	3/1986	Steinman	D24/229
D287,760 S *	1/1987	Discko, Jr.	D24/229
D293,820 S *	1/1988	Guth et al.	D24/230
D297,167 S *	8/1988	Steinman	D24/230
D337,830 S *	7/1993	Coyne et al.	D24/227
D343,687 S *	1/1994	Houghton et al.	D24/227
D351,661 S *	10/1994	Fischer	D24/176
D376,652 S *	12/1996	Hunt et al.	D24/229
D380,272 S *	6/1997	Partika et al.	D24/229
D402,767 S *	12/1998	Davis et al.	D24/229
D430,015 S *	8/2000	Himbert et al.	D9/425
D437,941 S *	2/2001	Frattini	D24/229
D442,697 S *	5/2001	Hajianpour	D24/229

(Continued)

Primary Examiner — T. Chase Nelson

Assistant Examiner — Mark Cavanna

(74) *Attorney, Agent, or Firm* — Lerner, David, Littenberg, Krumholz & Mentlik, LLP

(57) **CLAIM**

The ornamental design for storage module for surgical devices, in particular for boneplate templates, as shown and described.

DESCRIPTION

FIG. 1 is a perspective top view of a storage module for surgical devices, in particular for boneplate templates showing my new design.

FIG. 2 is a plan view from above thereof.

FIG. 3 is a plan view from below thereof.

FIG. 4 is a perspective view from below thereof.

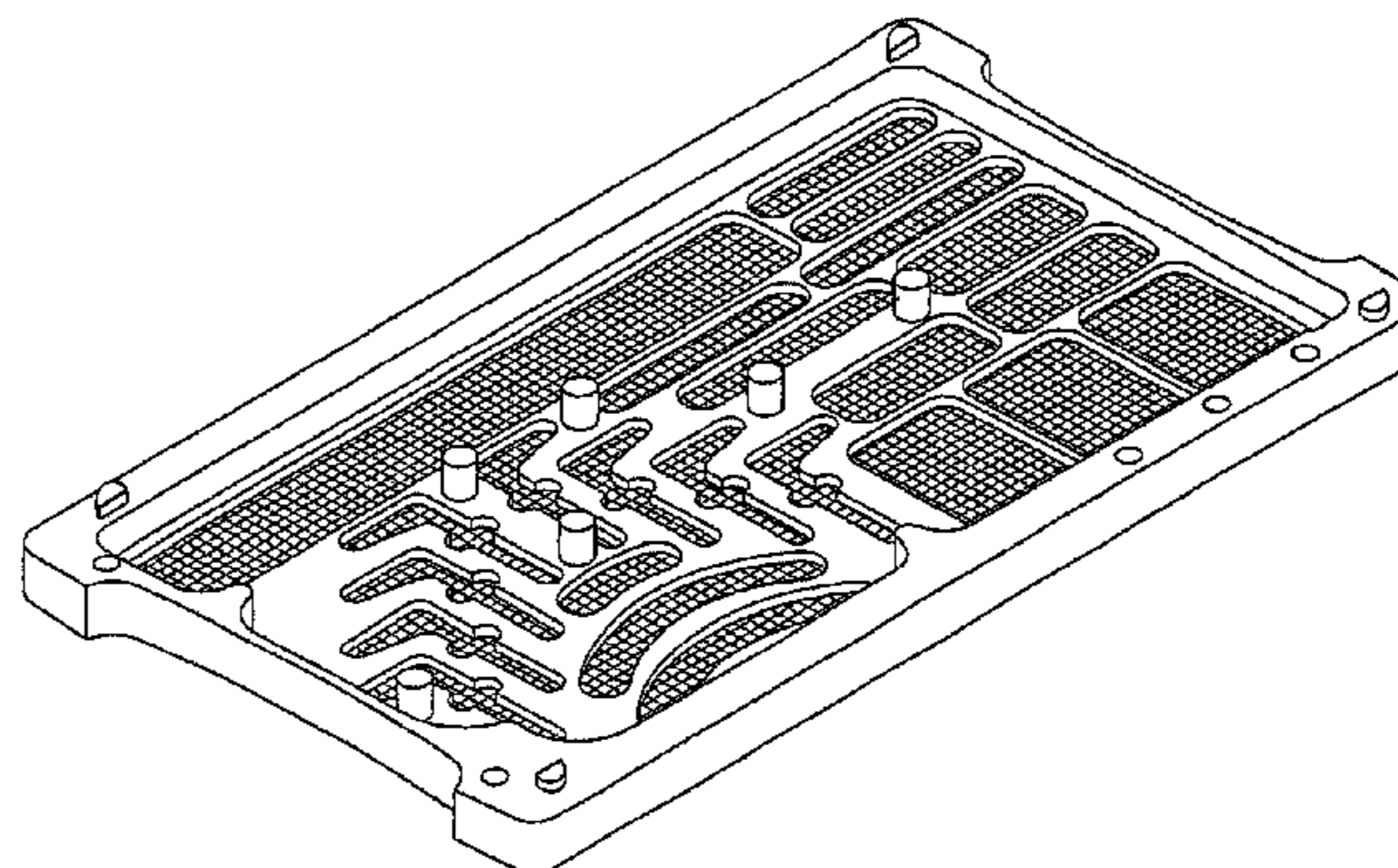
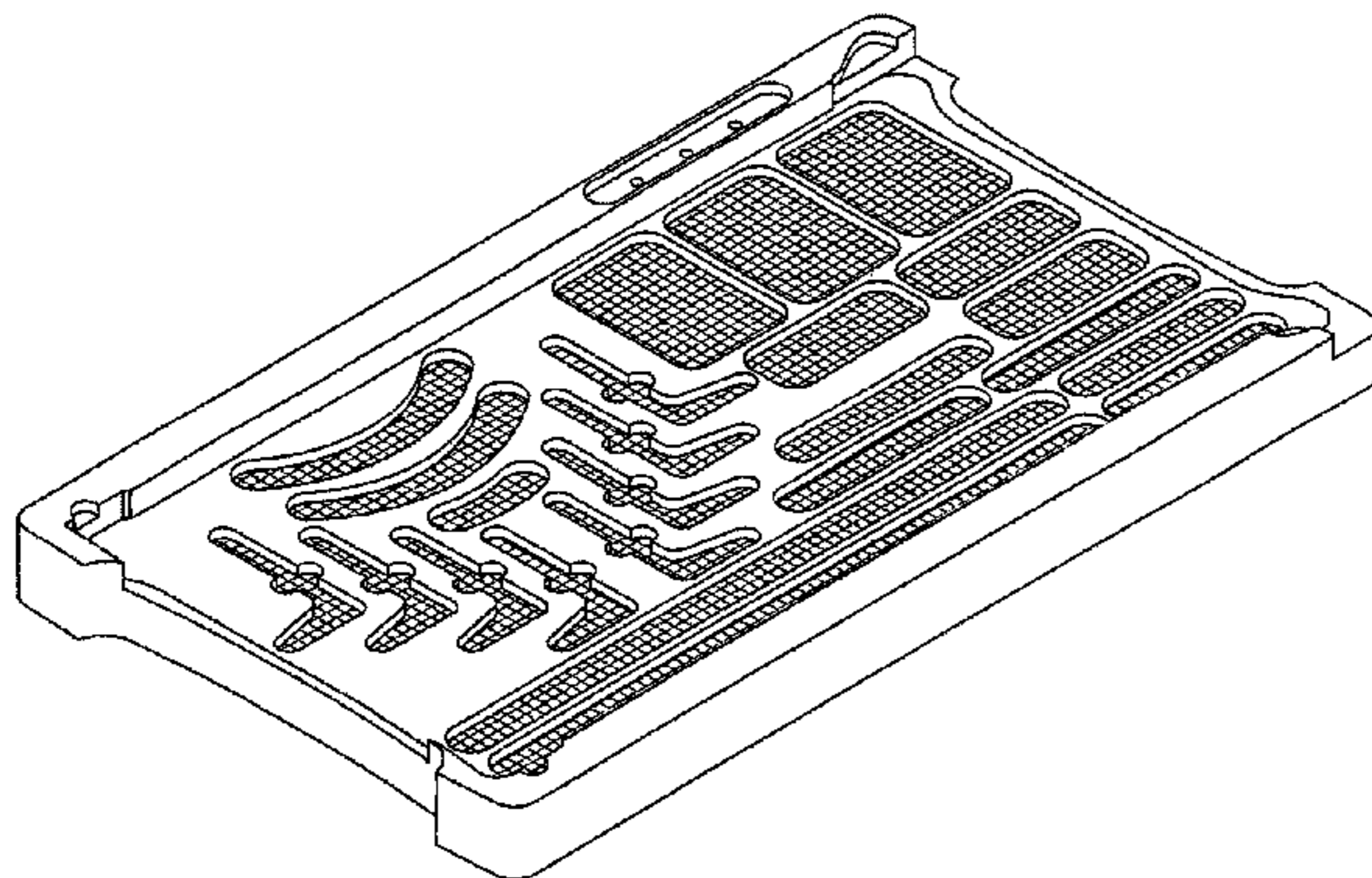
FIG. 5 is a perspective side view from below thereof.

FIG. 6 is a front view thereof; and,

FIG. 7 is a side view thereof.

Any indicia, including but not limited to words and symbols, shown on the accompanying drawings form no part of the claimed design. Broken lines are included for the purpose of illustrating portions of the storage module for surgical devices, in particular for boneplate templates that form no part of the claimed design.

1 Claim, 7 Drawing Sheets



US D647,628 S

Page 2

U.S. PATENT DOCUMENTS

D445,198 S *	7/2001	Frattini	D24/227		
D471,641 S *	3/2003	McMichael et al.	D24/229		
D489,973 S *	5/2004	Root et al.	D9/415		
					* cited by examiner
				D495,807 S *	9/2004 Agbodoe et al. D24/229
				D565,743 S *	4/2008 Phillips et al. D24/229

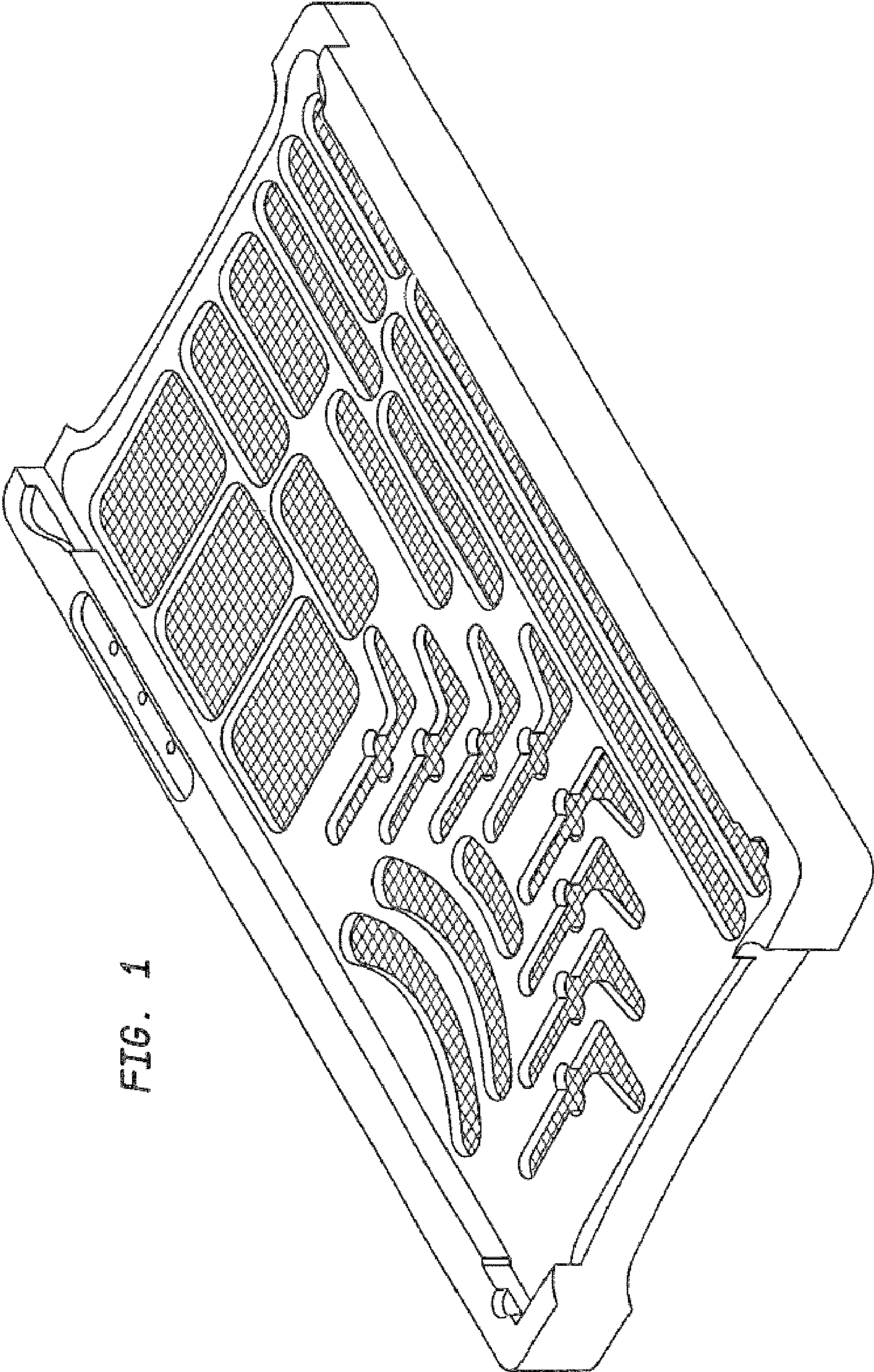


FIG. 1

FIG. 2

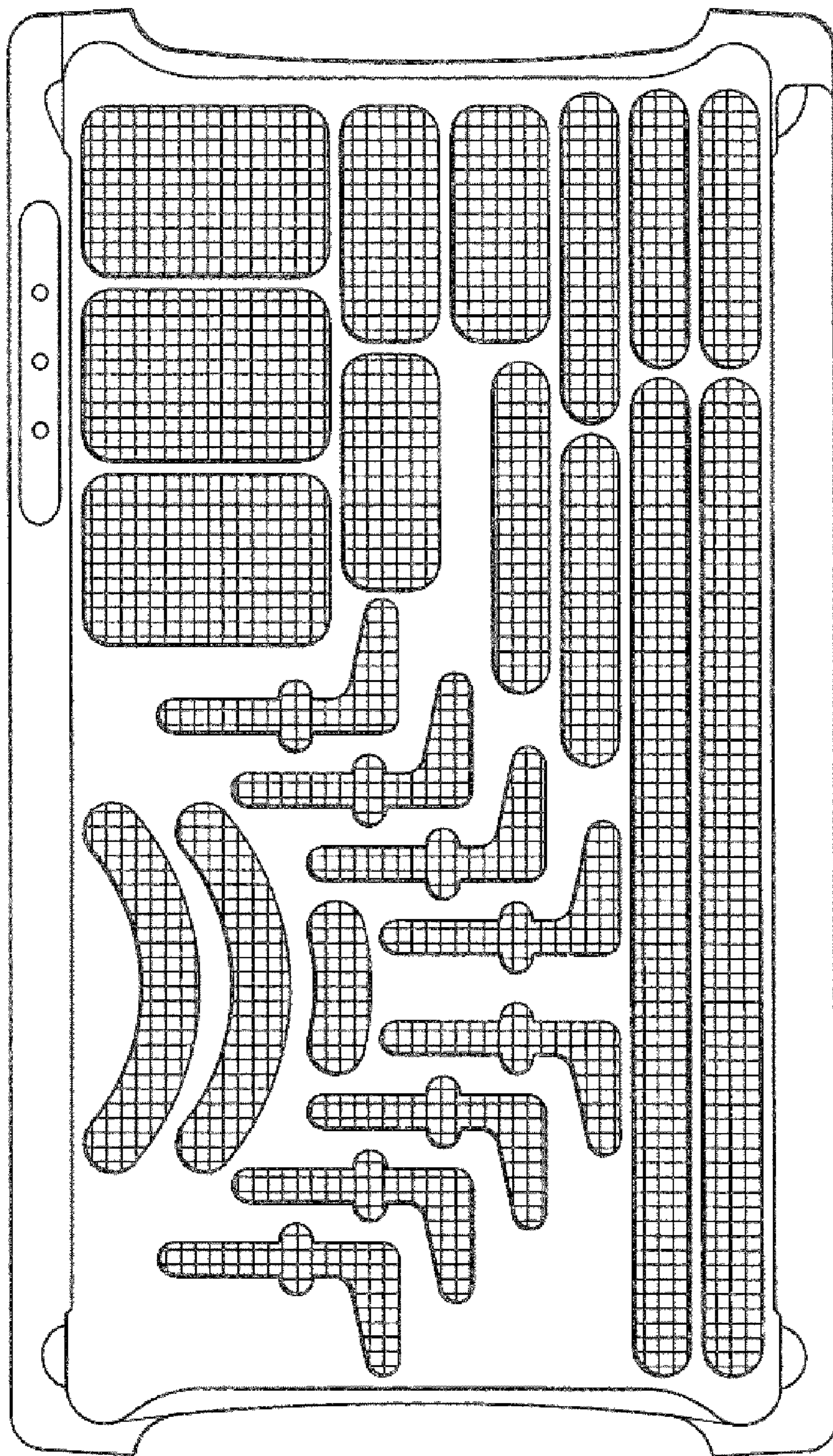
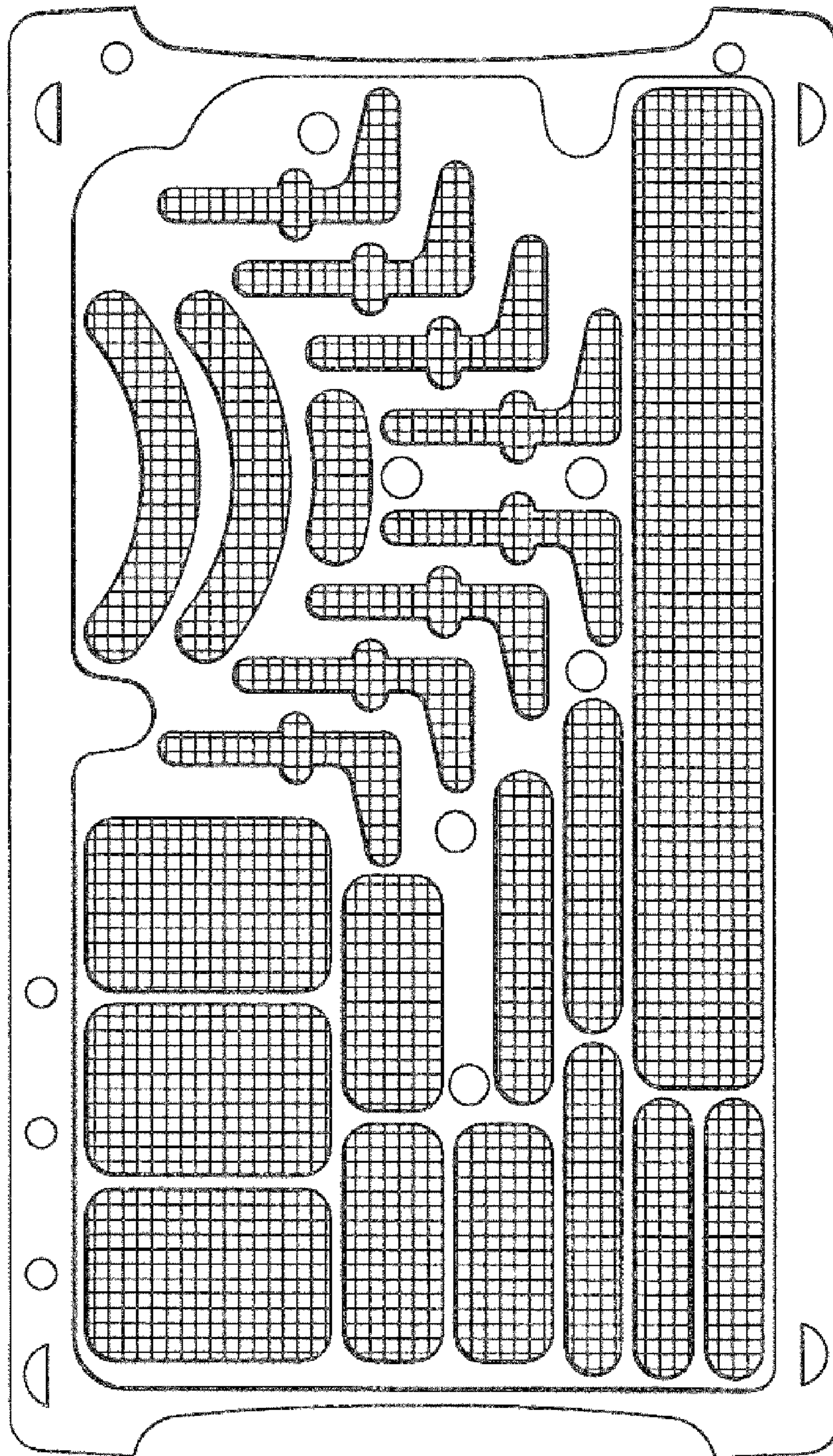


FIG. 3



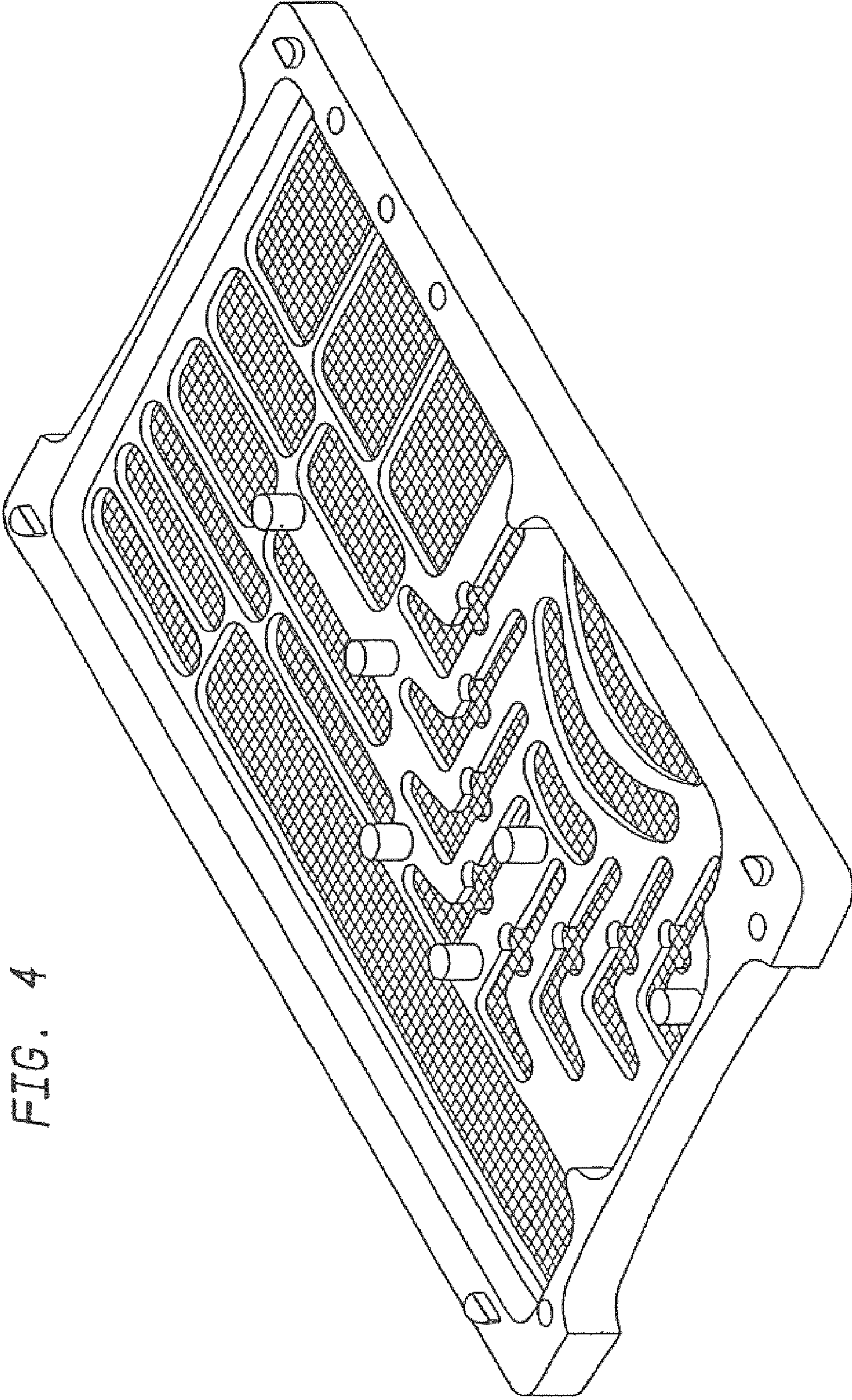
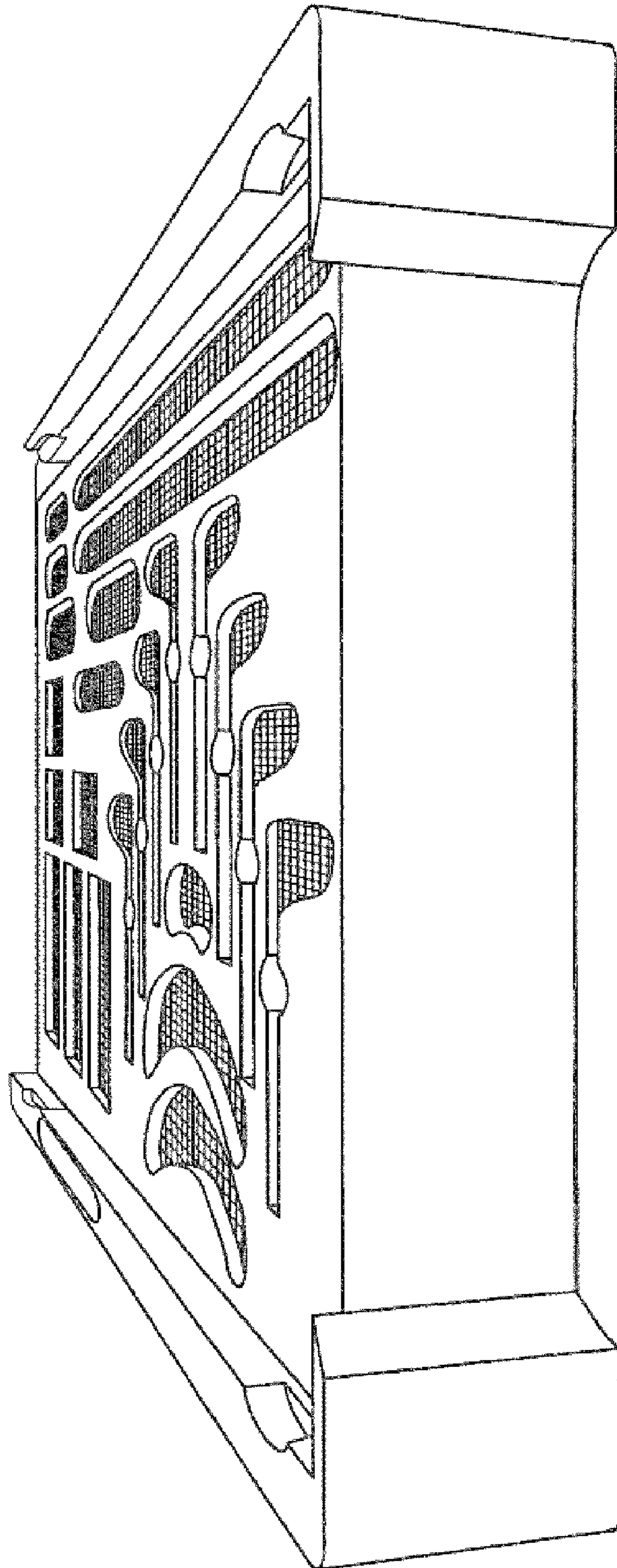


FIG. 4

FIG. 5



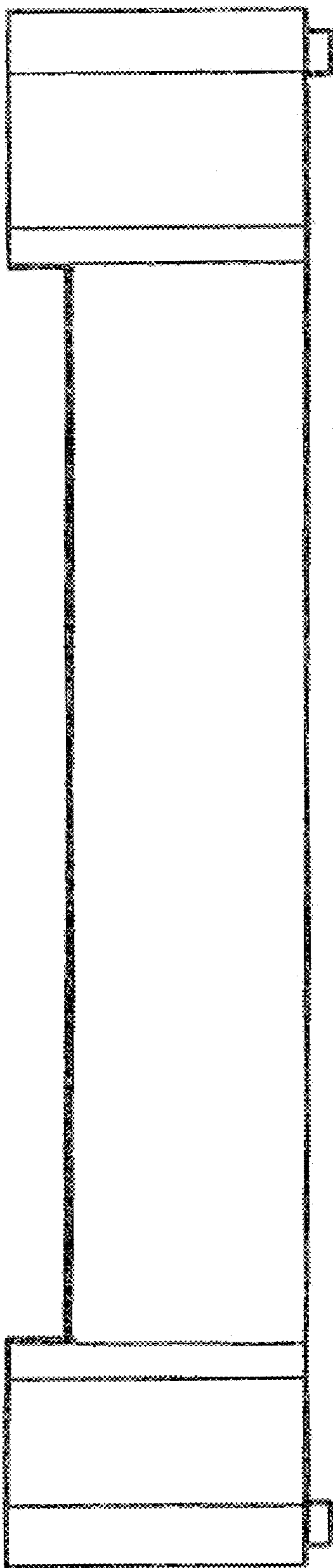


FIG. 6

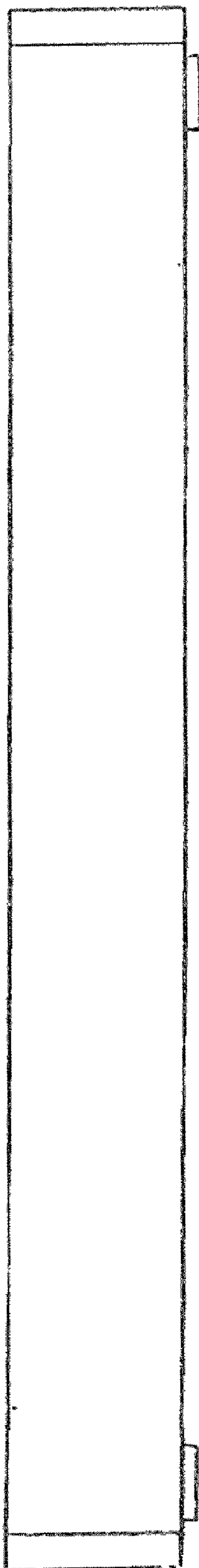


FIG. 7