



US00D647627S

(12) **United States Design Patent**
Wilkinson

(10) **Patent No.:** **US D647,627 S**
(45) **Date of Patent:** **** Oct. 25, 2011**

- (54) **PIERCEABLE COLLECTION CONTAINER DEVICE**
- (75) Inventor: **Bradley M. Wilkinson**, North Haledon, NJ (US)
- (73) Assignee: **Becton Dickinson France**, Le Pont de Claix (FR)
- (**) Term: **14 Years**
- (21) Appl. No.: **29/358,049**
- (22) Filed: **Mar. 22, 2010**

Related U.S. Application Data

- (60) Continuation-in-part of application No. 12/398,628, filed on Mar. 5, 2009, and a division of application No. 29/342,937, filed on Sep. 3, 2009, now Pat. No. Des. 621,522.
 - (51) **LOC (9) Cl.** **24-01**
 - (52) **U.S. Cl.** **D24/224**
 - (58) **Field of Classification Search** D24/216, D24/222-226, 227, 229, 230, 231, 232, 169, D24/112-114; D10/81; D3/203.1-203.8; 422/99, 102; D9/432, 435, 436, 503, 504, D9/505, 529, 530, 549; 435/288.1, 288.3, 435/288.4, 304.1, 305.1, 305.3, 305.4; 215/247, 215/296, 297
- See application file for complete search history.

(56) **References Cited**

U.S. PATENT DOCUMENTS

D357,985 S *	5/1995	Burns	D24/224
5,458,113 A *	10/1995	Burns	422/102
5,601,728 A *	2/1997	Kayal et al.	435/288.1
6,358,476 B1 *	3/2002	Innamorato et al.	422/102
6,426,049 B1 *	7/2002	Rosen et al.	422/102
6,562,300 B2 *	5/2003	Rosen et al.	422/102
2008/0251489 A1 *	10/2008	Livingston et al.	422/99

* cited by examiner

Primary Examiner — Anhdao Doan
(74) *Attorney, Agent, or Firm* — David M. Fortunato; The Webb Law Firm

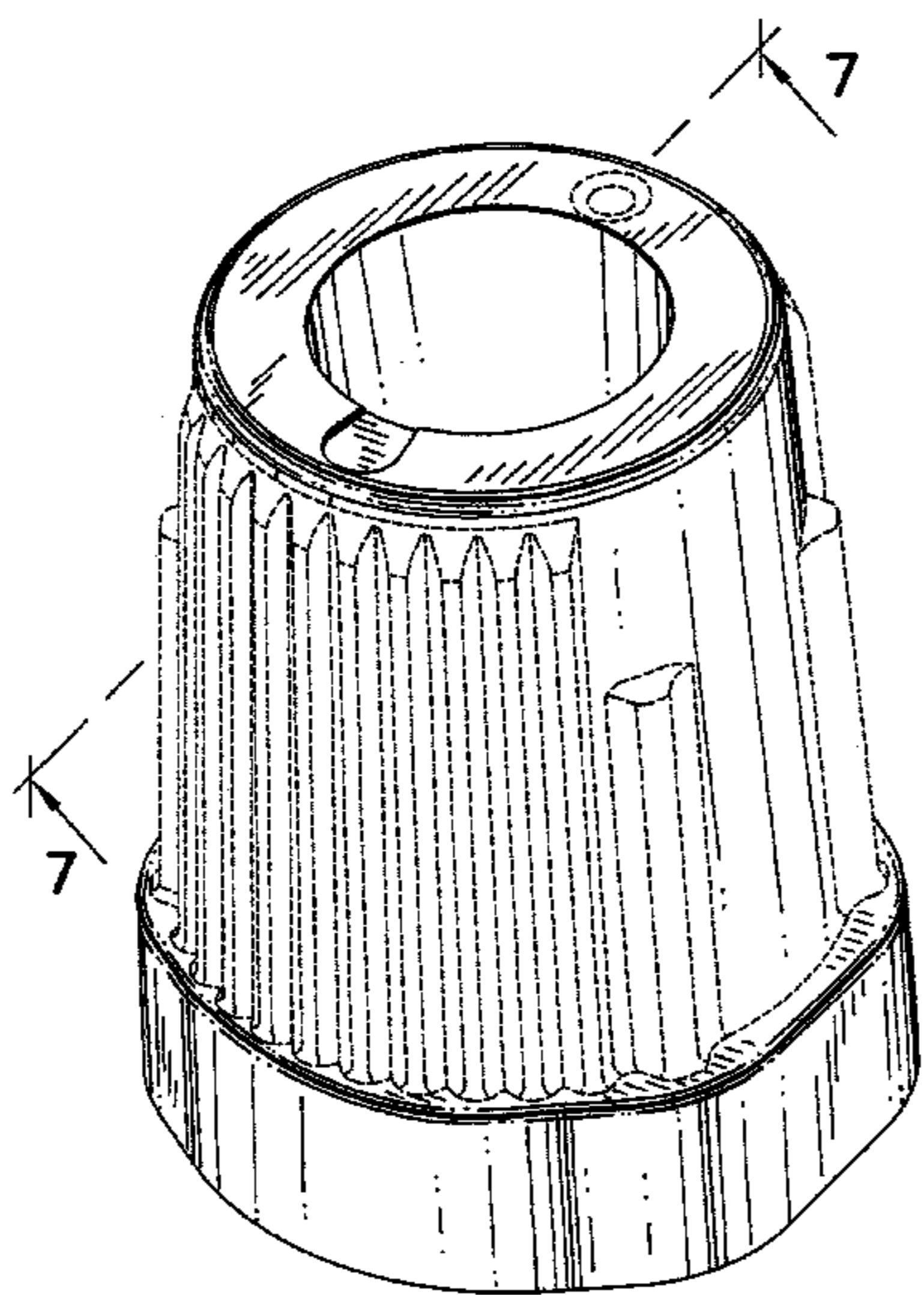
(57) **CLAIM**
The ornamental design for a pierceable collection container device, as shown and described.

DESCRIPTION

FIG. 1 is a generally top-directed perspective view of a cap portion of the pierceable collection container device in accordance with an embodiment of the present invention; FIG. 2 is a front view of the cap portion of the pierceable collection container device of FIG. 1, with the rear view being a mirror image thereof; FIG. 3 is a left side view of the cap portion of the pierceable collection container device of FIG. 1, with the right side view being a mirror image thereof; FIG. 4 is a top view of the cap portion of the pierceable collection container device of FIG. 1; FIG. 5 is a bottom view of the cap portion of the pierceable collection container device of FIG. 1; FIG. 6 is a generally bottom-directed perspective view of the cap portion of the pierceable collection container device of FIG. 1; FIG. 7 is a cross-sectional view of the cap portion of the pierceable collection container device of FIG. 1, taken along line 7-7; FIG. 8 is an exploded perspective view of the cap portion of the pierceable collection container device of FIG. 1 shown with a collection container as a pierceable collection container device in accordance with an embodiment of the present invention; FIG. 9 is an assembled left side view of the pierceable collection container device of FIG. 8, with the assembled right side view being a mirror image thereof; and, FIG. 10 is an assembled front view of the pierceable collection container device of FIG. 8, with the assembled rear view being a mirror image thereof.

The broken lines connecting the center of the separated container and cap components shown in FIG. 8 are included to show the order of assembly. All other broken lines in the drawing views are included for the purpose of illustrating portions of the pierceable collection container device that form no part of the claimed design.

1 Claim, 8 Drawing Sheets



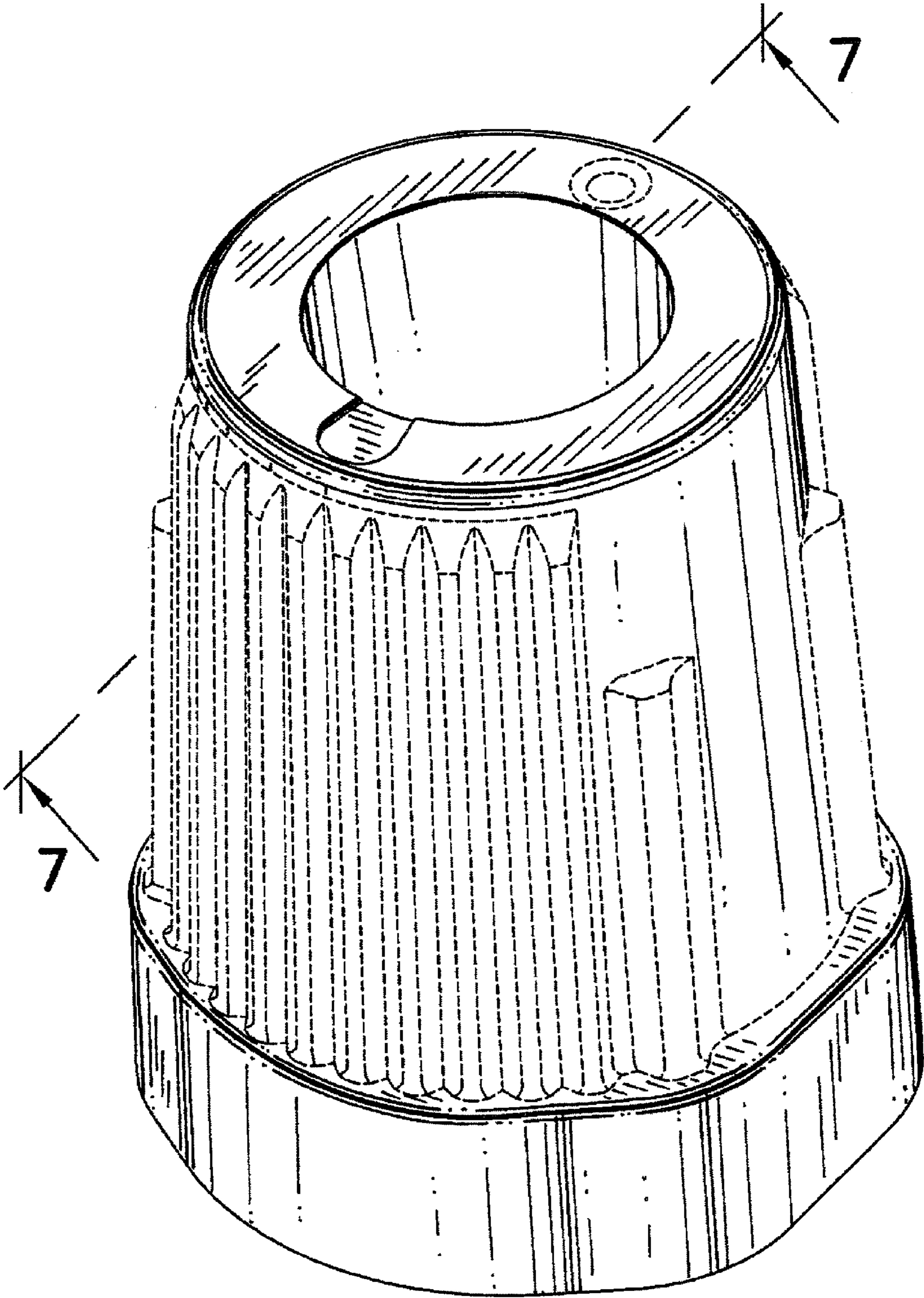


FIG. 1

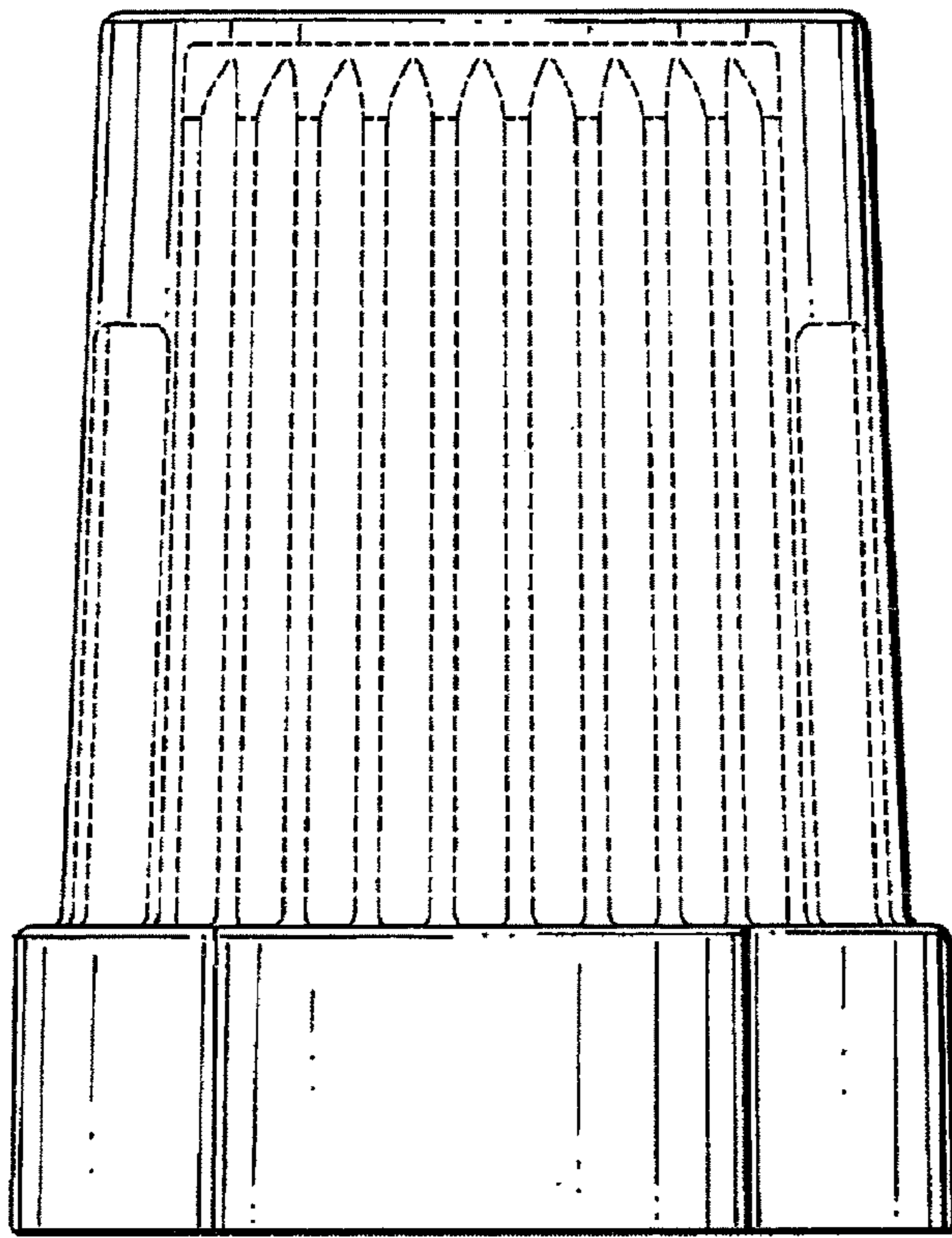


FIG. 2

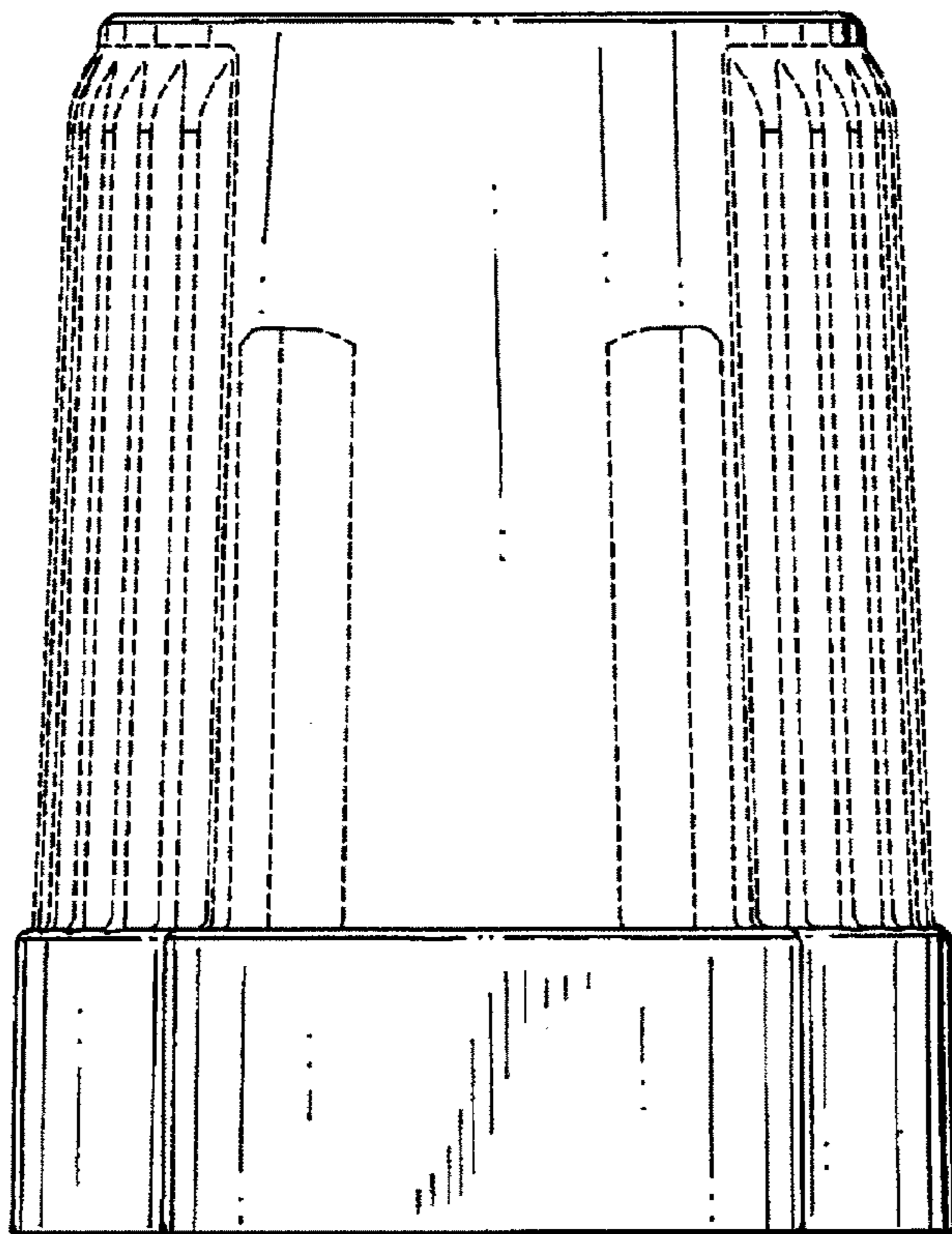


FIG. 3

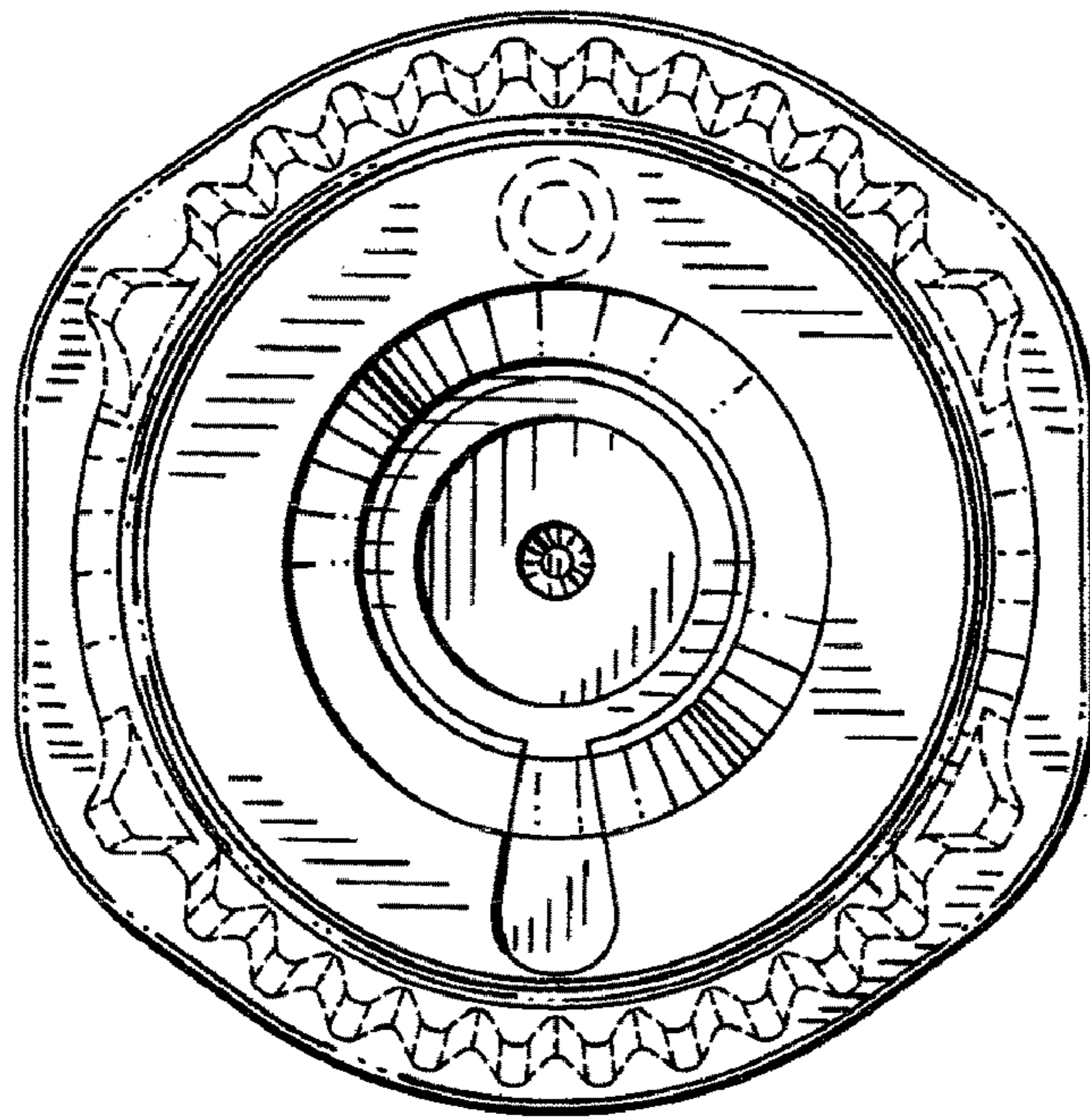


FIG. 4

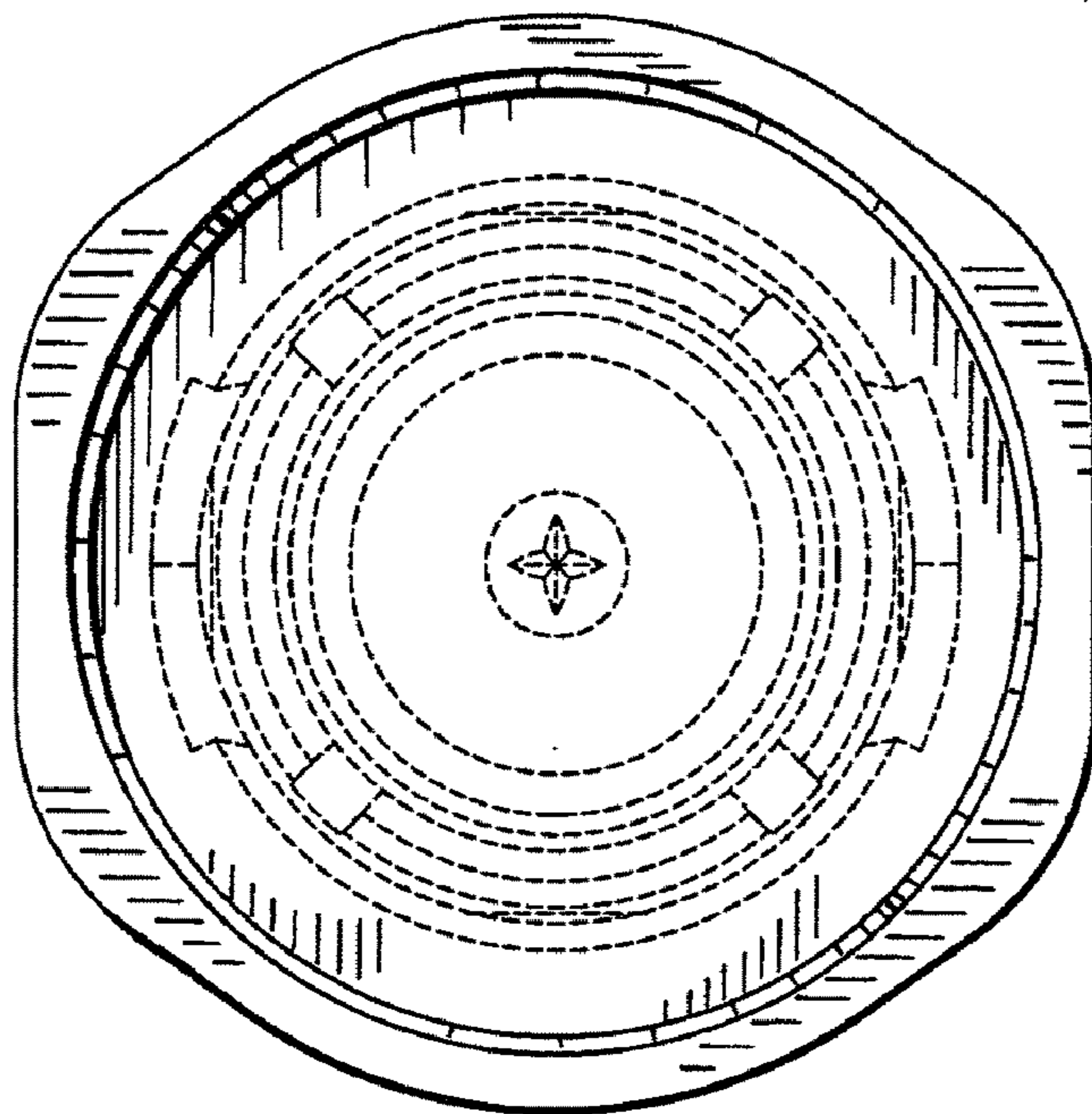


FIG. 5

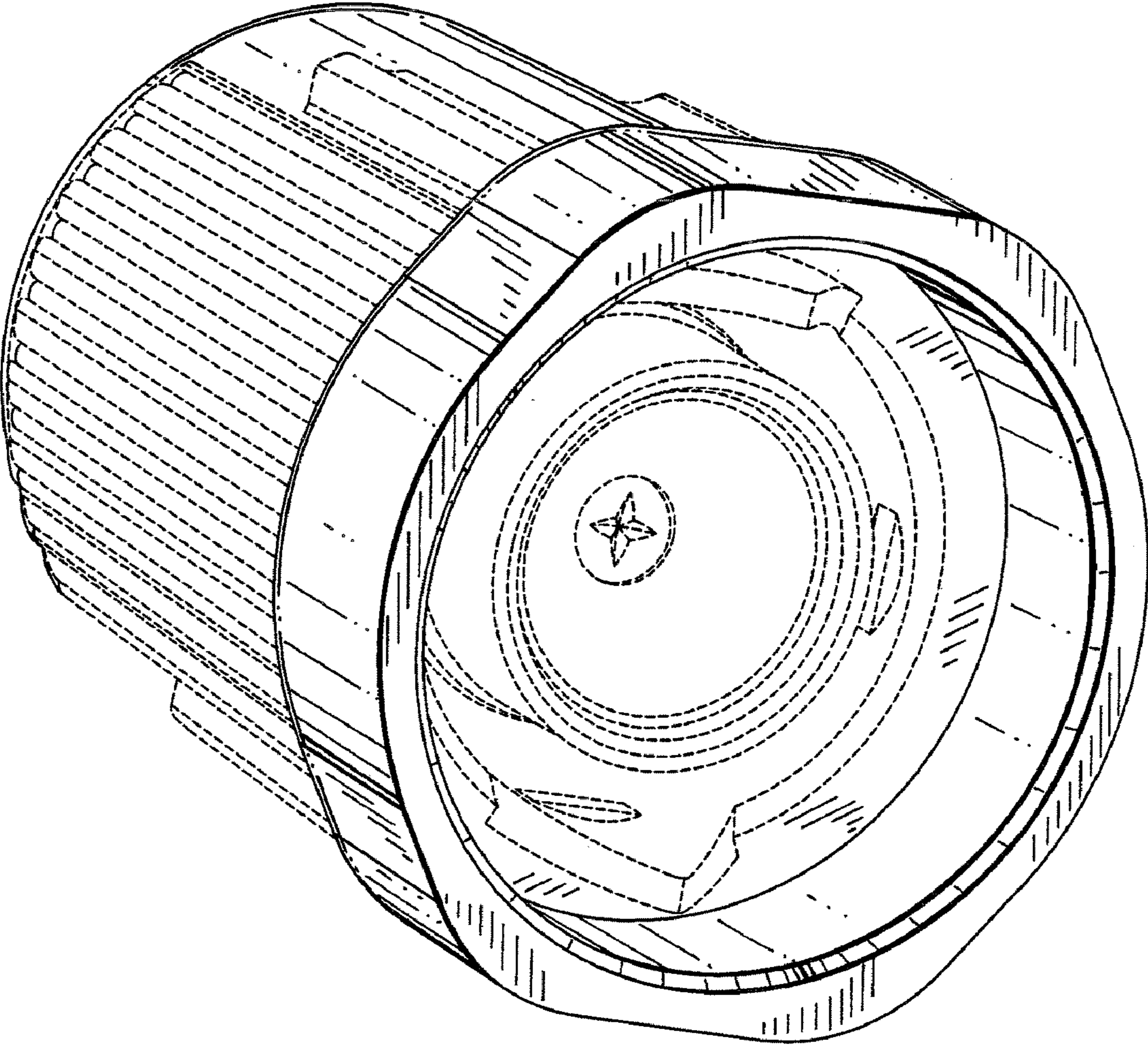


FIG. 6

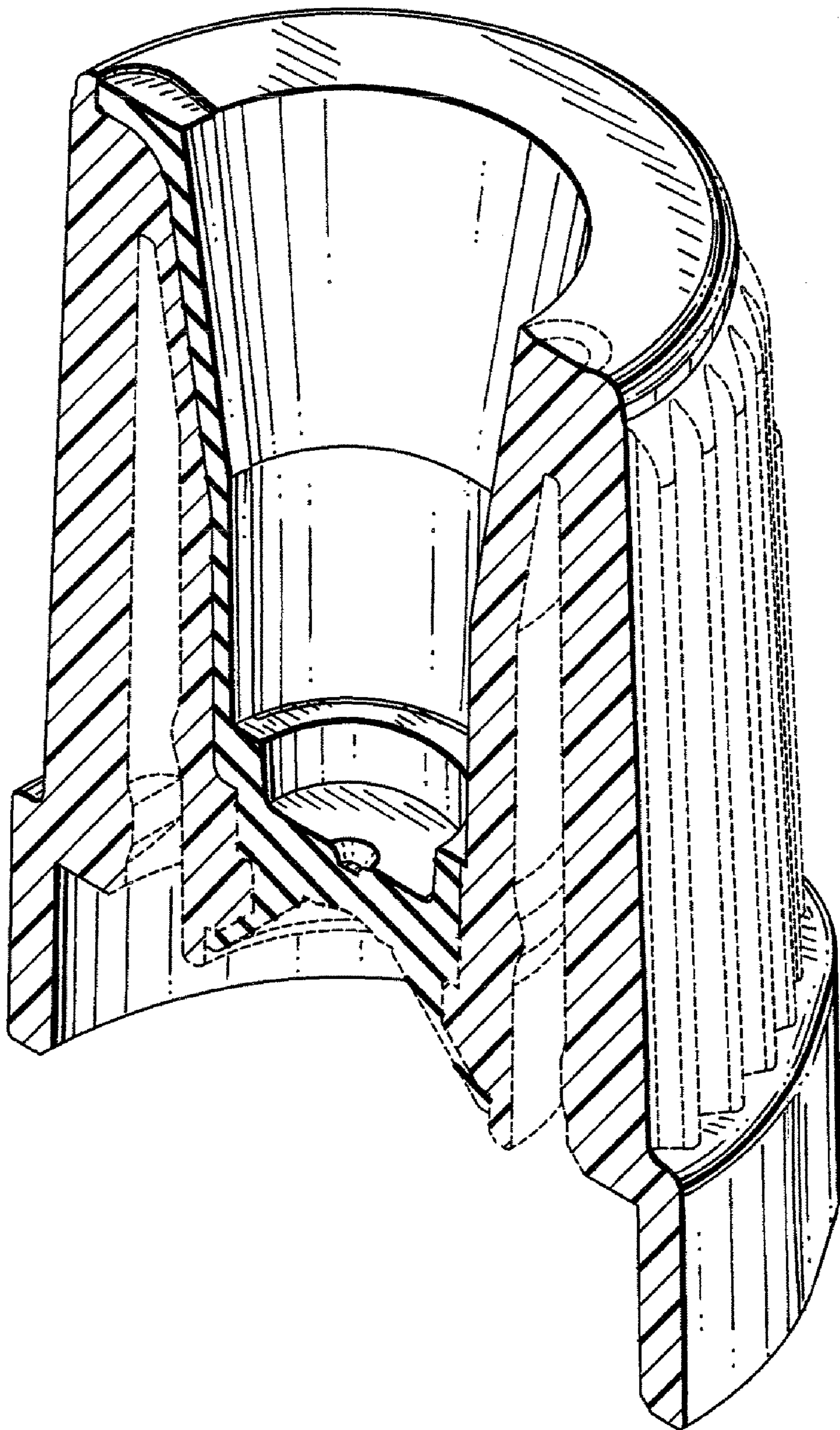


FIG. 7

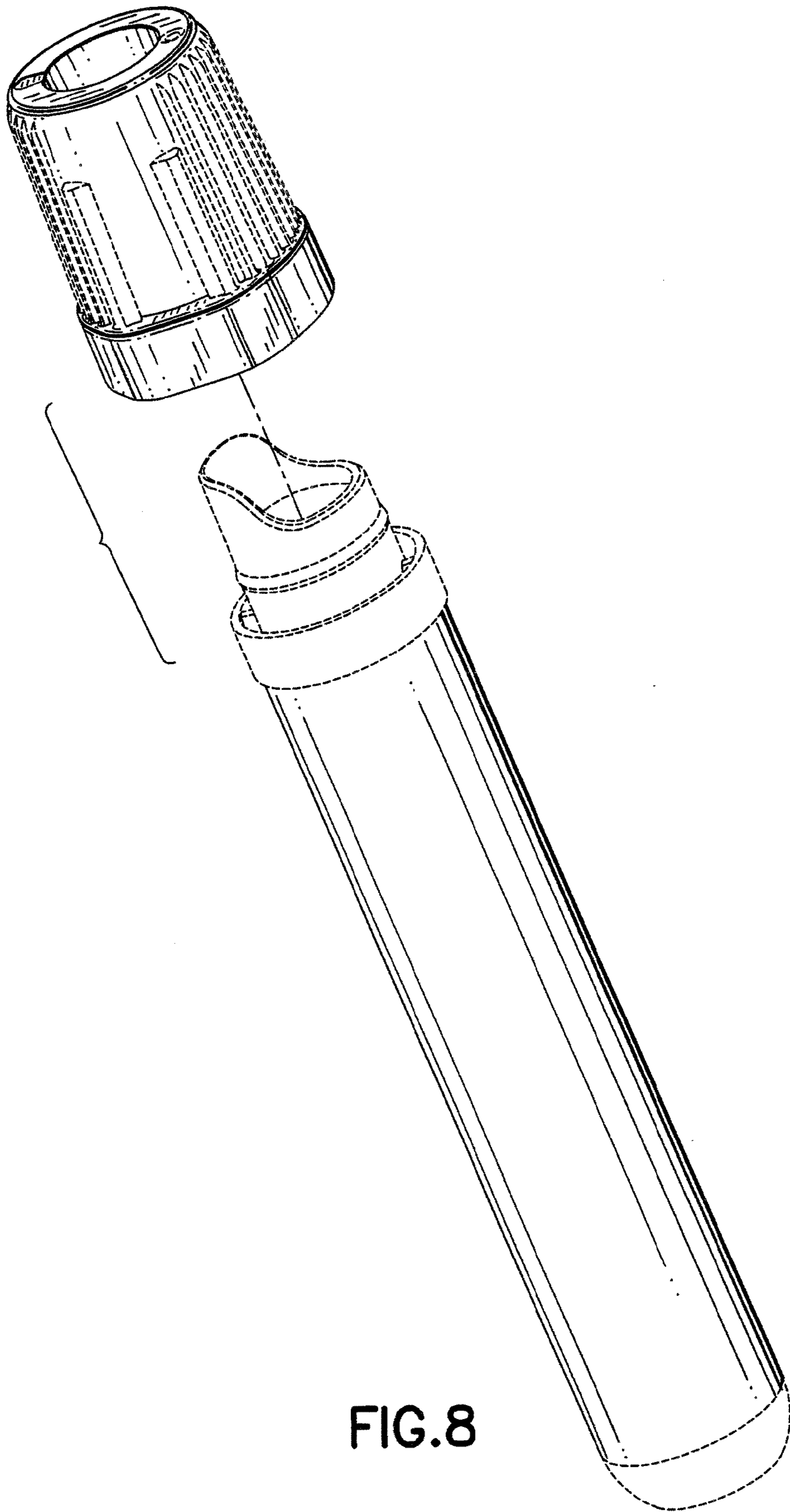


FIG.8

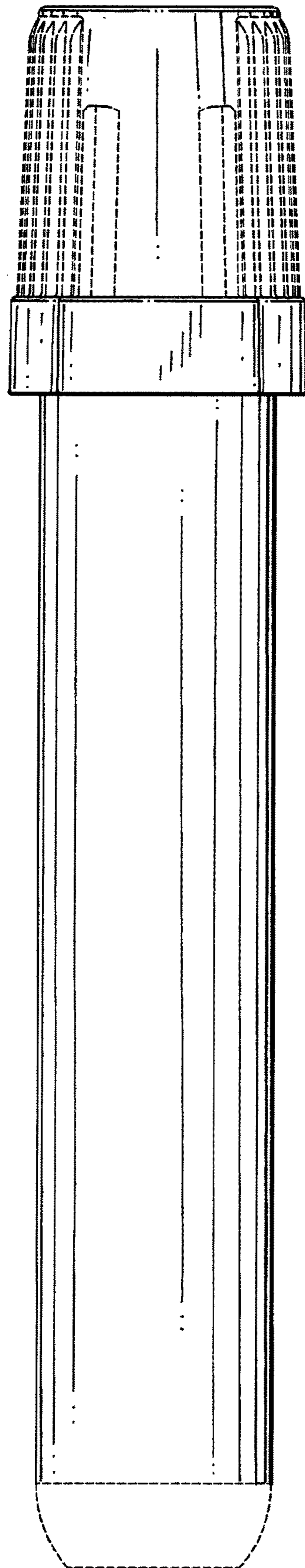


FIG.9

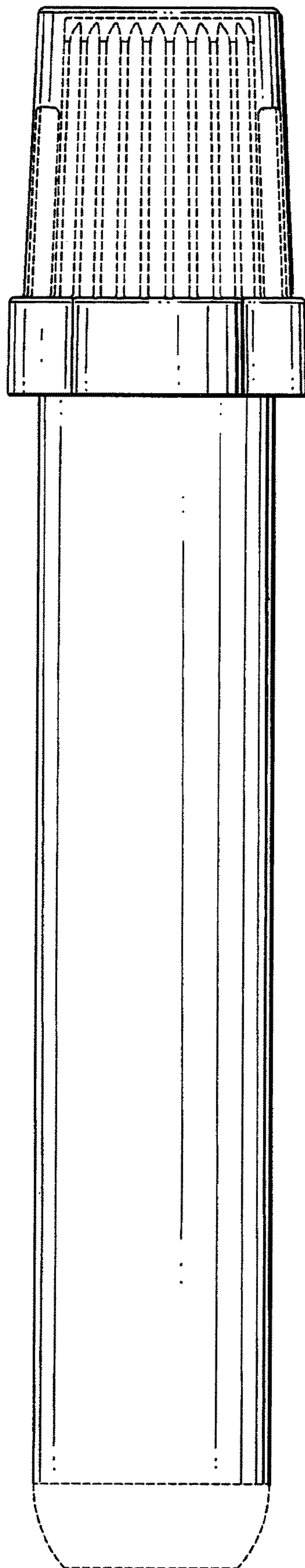


FIG. 10