



US00D647624S

(12) **United States Design Patent**  
**Thorgilsdottir et al.**

(10) **Patent No.:** **US D647,624 S**

(45) **Date of Patent:** **\*\* Oct. 25, 2011**

(54) **CERVICAL COLLAR**

(75) Inventors: **Thora Thorgilsdottir**, Reykjavik (IS);  
**Arni Thor Ingimundarson**, Ladera  
Ranch, CA (US)

(73) Assignee: **Ossur HF**, Reykjavik (IS)

(\*\*) Term: **14 Years**

(21) Appl. No.: **29/367,383**

(22) Filed: **Aug. 6, 2010**

(51) **LOC (9) Cl.** ..... **24-01**

(52) **U.S. Cl.** ..... **D24/191**

(58) **Field of Classification Search** ..... D24/190,  
D24/191; 602/5, 17-20, 36; 128/97.1, 845,  
128/857, DIG. 15, DIG. 23; 2/462, 916;  
D29/101.2, 101.3

See application file for complete search history.

(56) **References Cited**

**U.S. PATENT DOCUMENTS**

2,818,063	A	12/1957	Smith et al.	
2,828,736	A *	4/1958	Monfardini	602/18
2,911,970	A	11/1959	Bartels et al.	
3,024,784	A	3/1962	Monfardini	
3,042,027	A	7/1962	Monfardini	
3,055,358	A *	9/1962	Di Palma et al.	602/18
D198,069	S *	4/1964	Connelly	D24/191
3,135,256	A *	6/1964	Gruber	602/18
D203,018	S *	11/1965	Helferich	D24/191
3,285,244	A *	11/1966	Cottrell	602/18
3,306,284	A	2/1967	McKinley	
3,320,950	A	5/1967	McElvenny	
D213,742	S *	4/1969	Bond	D24/191
3,504,667	A	4/1970	McFarlane	
3,512,523	A	5/1970	Barnett	
3,530,853	A *	9/1970	Bond	602/18
D221,407	S *	8/1971	Bond	D24/191
3,756,226	A	9/1973	Calabrese et al.	
3,916,885	A	11/1975	Gaylord, Jr.	
D248,872	S *	8/1978	Thomas	D24/191
4,205,667	A	6/1980	Gaylord, Jr.	
4,401,111	A	8/1983	Blackstone	
4,413,619	A	11/1983	Garth	

4,502,471	A *	3/1985	Owens	602/18
D278,747	S *	5/1985	Peach, Jr	D24/191
4,520,801	A *	6/1985	Lerman	602/18
4,538,597	A	9/1985	Lerman	
4,677,969	A	7/1987	Calabrese	
4,708,129	A	11/1987	Pujals, Jr.	
4,712,540	A	12/1987	Tucker et al.	
4,745,922	A	5/1988	Taylor	
4,854,306	A	8/1989	Pujals, Jr.	

(Continued)

**OTHER PUBLICATIONS**

Hsu et al., AAOS Atlas of Orthoses and Assistive Devices, Fourth Edition, 2008.

(Continued)

*Primary Examiner* — Susan E Krakower

(74) *Attorney, Agent, or Firm* — Bacon & Thomas, PLLC

(57) **CLAIM**

The ornamental design for a cervical collar, as shown and described.

**DESCRIPTION**

FIG. 1 is a first perspective view of the cervical collar according to the invention.

FIG. 2 is a front elevational view according to the cervical collar of FIG. 1.

FIG. 3 is a rear elevational view according to the cervical collar of FIG. 1.

FIG. 4 is a first side elevational view according to the cervical collar of FIG. 1.

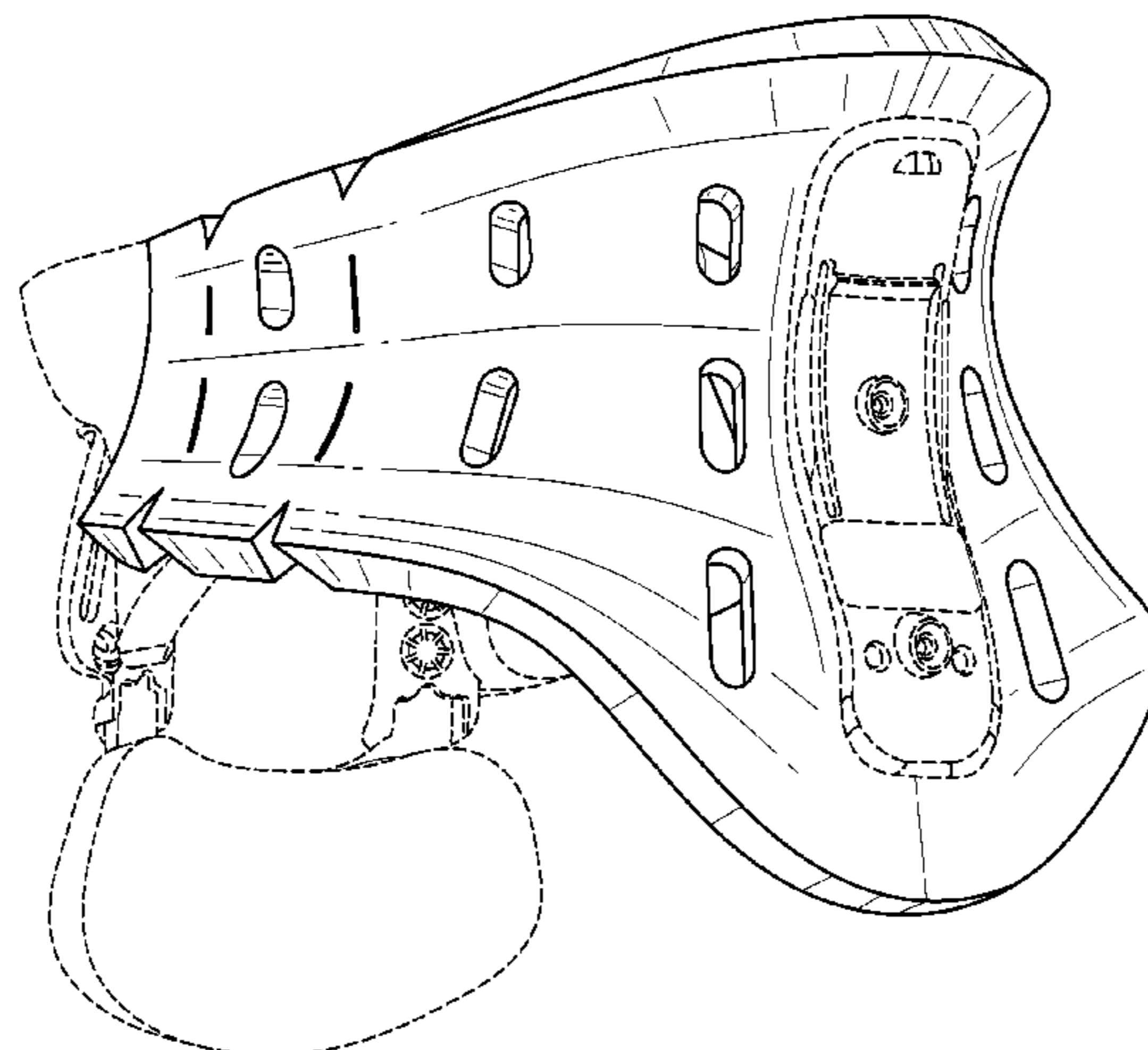
FIG. 5 is a second side elevational view according to the cervical collar of FIG. 1.

FIG. 6 is a top plan view according to the cervical collar of FIG. 1; and,

FIG. 7 is a bottom plan view according to the cervical collar of FIG. 1.

The broken lines are included for the purpose of illustrating environmental structure and form no part of the claimed design.

**1 Claim, 7 Drawing Sheets**



# US D647,624 S

Page 2

## U.S. PATENT DOCUMENTS

4,886,052	A	12/1989	Calabrese		6,308,345	B1	10/2001	Williams, Jr.
4,940,043	A	7/1990	Burns et al.		6,423,020	B1	7/2002	Koledin
D314,623	S	* 2/1991	Calabrese et al.	..... D24/191	6,458,090	B1	10/2002	Walpin
5,005,563	A	4/1991	Veale		6,494,854	B1	12/2002	Visness et al.
5,038,759	A	8/1991	Morgenstern		D475,139	S	5/2003	Myoga
5,058,572	A	10/1991	Schmid et al.		6,663,581	B1	12/2003	Calabrese
5,097,824	A	3/1992	Garth		6,663,630	B2	12/2003	Farley et al.
5,156,588	A	10/1992	Marcune et al.		6,726,643	B1	4/2004	Martin
5,180,361	A	1/1993	Moore et al.		6,740,055	B2	5/2004	Dominguez
5,215,517	A	6/1993	Stevenson et al.		6,770,046	B2	8/2004	Hansen
5,230,698	A	7/1993	Garth		6,872,188	B2	3/2005	Caille et al.
5,275,581	A	1/1994	Bender		6,913,584	B2	7/2005	Rudy, Jr. et al.
5,302,170	A	4/1994	Tweardy		6,921,376	B2	7/2005	Tweardy et al.
RE34,714	E	8/1994	Burns et al.		6,926,686	B2	8/2005	Cheatham
5,366,438	A	11/1994	Martin, Sr.		7,018,351	B1	3/2006	Iglesias et al.
5,385,535	A	1/1995	McGuinness		7,041,073	B1	5/2006	Patron
5,433,696	A	7/1995	Osti		7,070,573	B2	7/2006	Axelsson
5,437,612	A	8/1995	Moore et al.		7,090,652	B2	8/2006	Santelli, Jr.
5,445,602	A	8/1995	Grim et al.		7,090,653	B2	8/2006	Moeller
D368,527	S	4/1996	Brooke		7,128,724	B2	10/2006	Marsh
D369,660	S	5/1996	Myoga		7,141,031	B2	11/2006	Garth et al.
5,520,619	A	5/1996	Martin		7,198,610	B2	4/2007	Ingimundarson et al.
RE35,290	E	7/1996	Druskoczi		D542,919	S	5/2007	Leatt
5,588,957	A	12/1996	Martin, Sr.		7,258,677	B2	8/2007	Rudy, Jr. et al.
5,593,382	A	1/1997	Rudy, Jr. et al.		7,291,121	B2	11/2007	Rudy, Jr. et al.
5,622,529	A	4/1997	Calabrese		7,297,127	B2	11/2007	Lee et al.
5,624,387	A	4/1997	McGuinness		7,371,221	B1	5/2008	Baker
D379,232	S	5/1997	Brooke		7,371,222	B2	5/2008	Heinz et al.
5,632,722	A	5/1997	Tweardy et al.		7,399,288	B2	7/2008	Chao
5,688,229	A	11/1997	Bauer		D616,555	S	5/2010	Thorgildsdottir et al.
5,716,335	A	2/1998	Iglesias et al.		D616,996	S	6/2010	Thorgildsdottir et al.
5,728,054	A	3/1998	Martin		D616,997	S	6/2010	Thorgildsdottir et al.
D393,718	S	4/1998	Traut et al.		7,883,485	B2*	2/2011	Moening et al. .... 602/18
5,785,670	A	7/1998	Hiebert		2002/0138028	A1	9/2002	Rudy, Jr. et al.
5,788,658	A	8/1998	Islava		2002/0156408	A1	10/2002	Cheatham
5,795,315	A	8/1998	Traut et al.		2002/0156409	A1	10/2002	Lee et al.
5,797,713	A	8/1998	Tweardy et al.		2002/0169401	A1	11/2002	Walpin
5,797,863	A	8/1998	Kohnke		2002/0173737	A1	11/2002	Miyaji et al.
5,865,773	A	2/1999	Koledin		2003/0055367	A1	3/2003	Dominguez
5,904,662	A	5/1999	Myoga		2003/0060744	A1	3/2003	Caille et al.
5,964,722	A	10/1999	Goralnik et al.		2003/0181838	A1	9/2003	Garth
5,976,098	A	11/1999	Sereboff		2004/0039318	A1	2/2004	Santelli, Jr.
5,993,403	A	11/1999	Martin		2005/0101896	A1	5/2005	Calabrese
6,027,467	A	2/2000	Nakamura et al.		2007/0027418	A1	2/2007	Calco et al.
6,036,664	A	3/2000	Martin, Sr. et al.		2007/0270728	A1	11/2007	Chao
D422,710	S	4/2000	Maynard		2010/0137768	A1	6/2010	Thorgildsdottir et al.
6,045,523	A	4/2000	Donaldson					
6,050,965	A	4/2000	Pillai					
6,056,711	A	5/2000	Donamski et al.					
6,058,517	A	5/2000	Hartunian					
RE36,745	E	6/2000	Rudy, Jr. et al.					
6,071,255	A	6/2000	Calabrese					
6,071,256	A	6/2000	Lam					
6,090,058	A	7/2000	Traut et al.					
6,165,146	A	12/2000	Giebeler					
6,245,033	B1	6/2001	Martin					
6,254,560	B1	7/2001	Tweardy et al.					

## OTHER PUBLICATIONS

Product Information Sheet, Platazote® Sheets, WBC Industries, obtained from www.wbcindustries.com prior to Aug. 6, 2010, 2 sheets.

Levangie et al., "Joint Structure and Function: A Comprehensive Analysis", Fourth Edition, 2005, pp. 161-164.

Philadelphia® Tracheotomy Collar, Product Information Sheet, obtained from www.ossur.com, prior to Aug. 6, 2010, 1 page.

\* cited by examiner

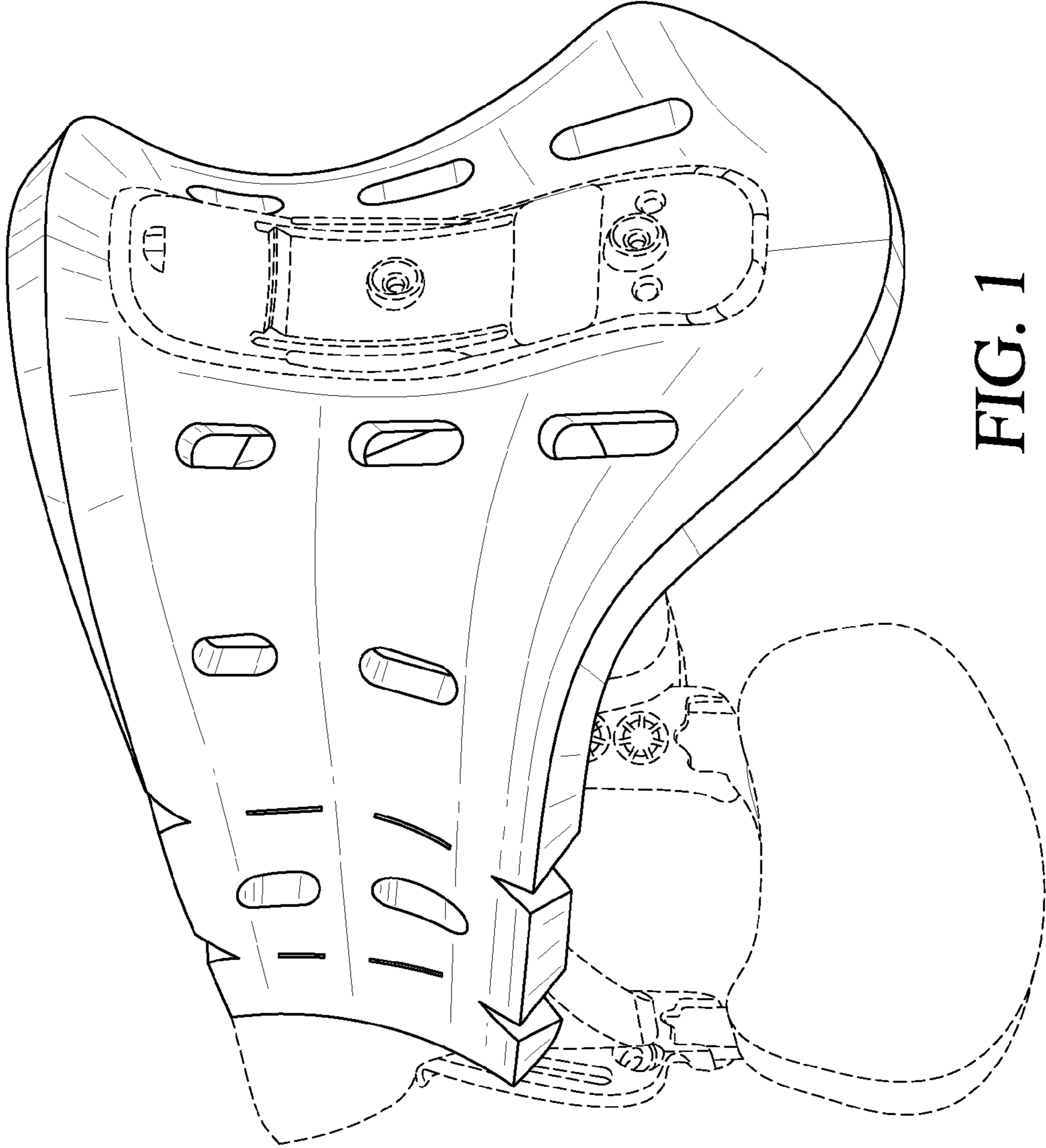


FIG. 1

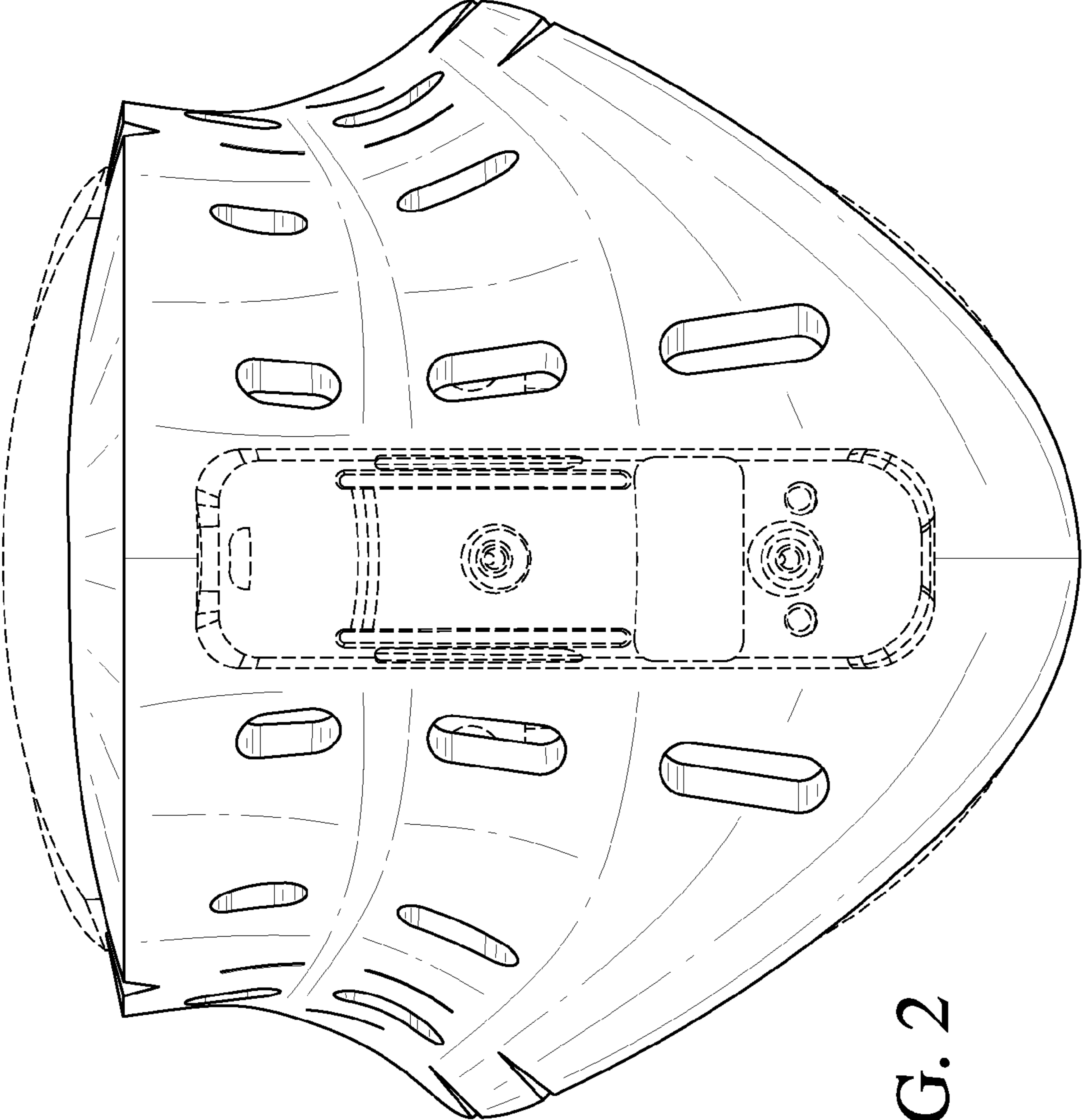


FIG. 2

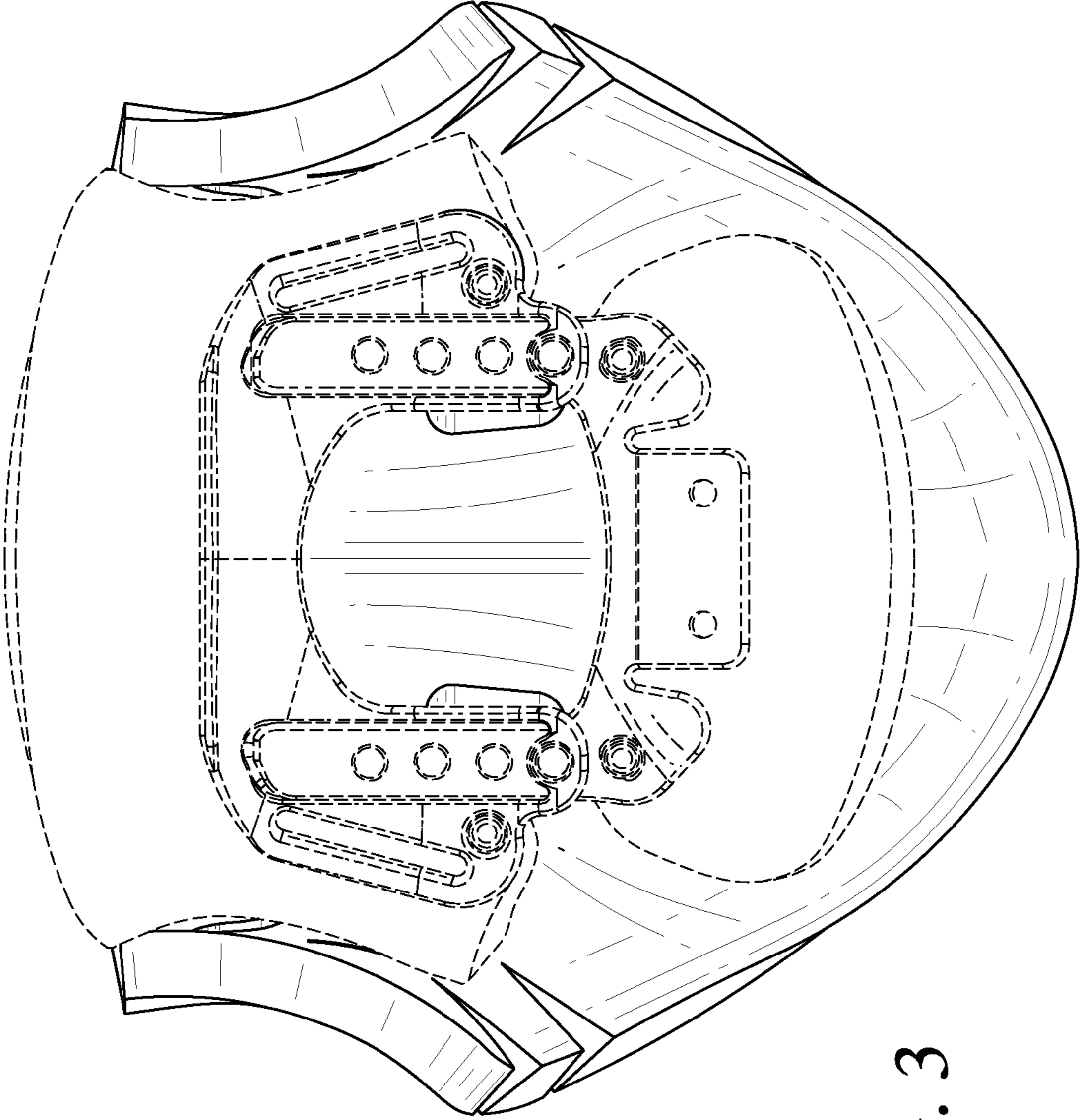


FIG. 3

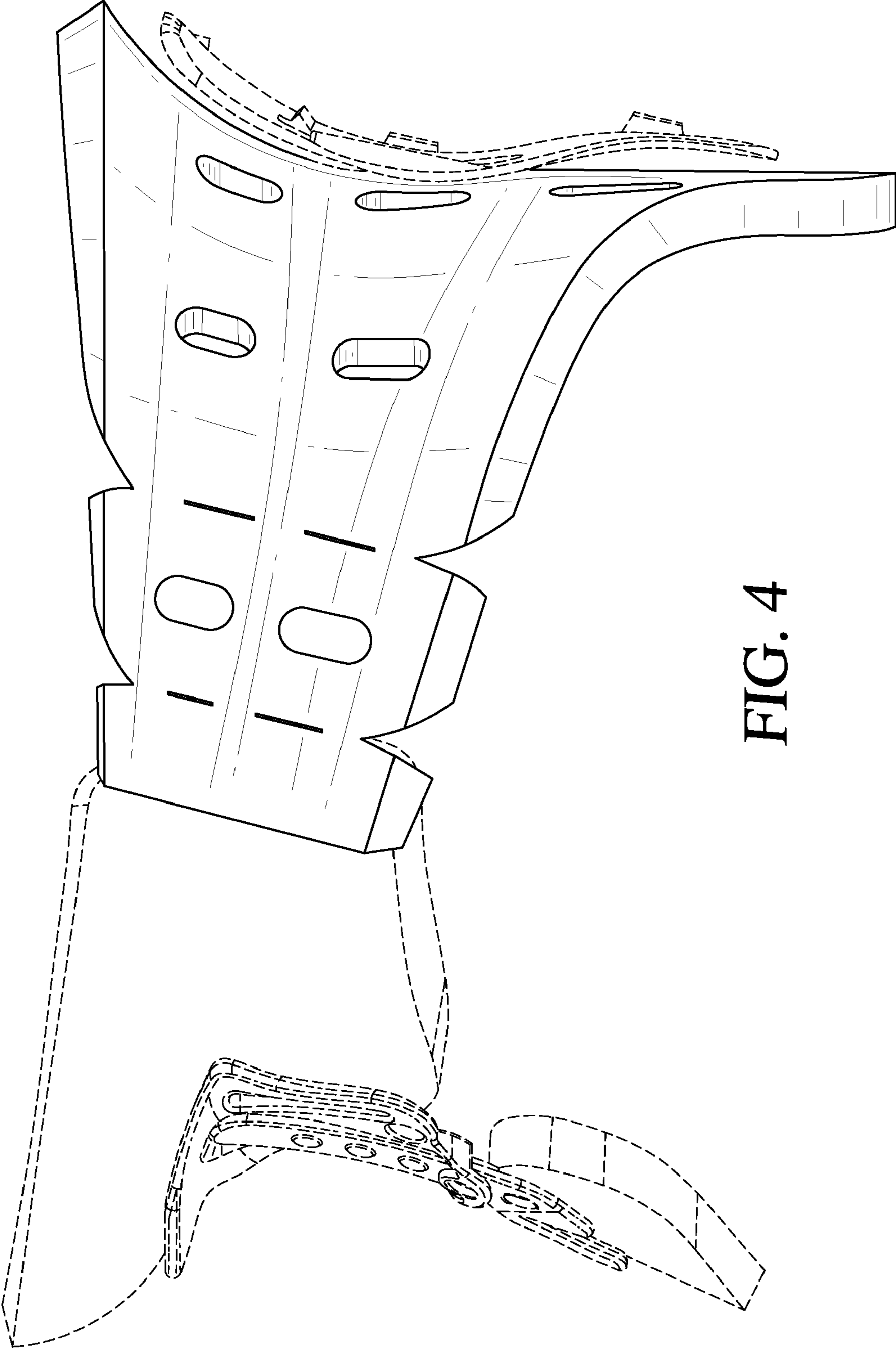


FIG. 4

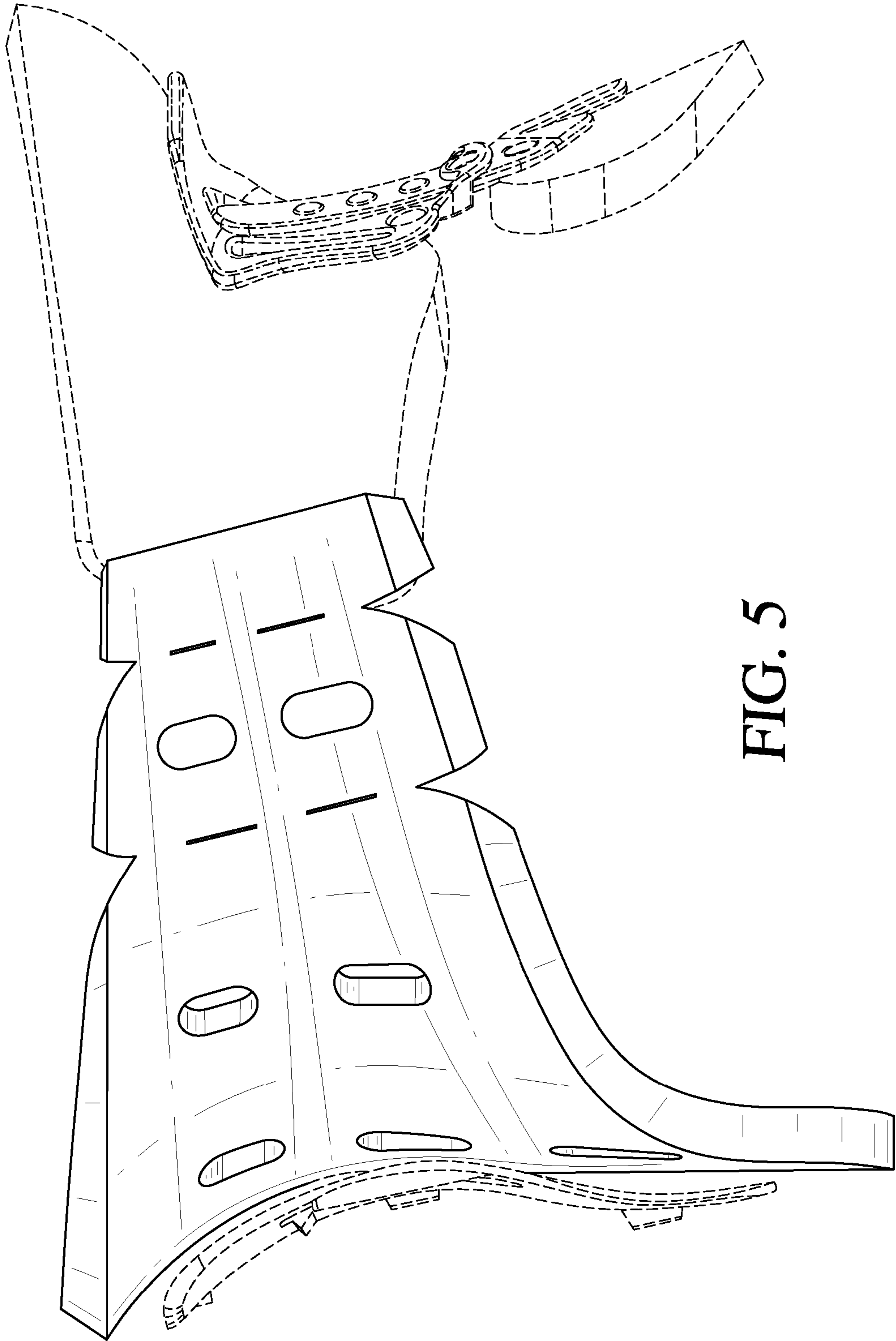


FIG. 5

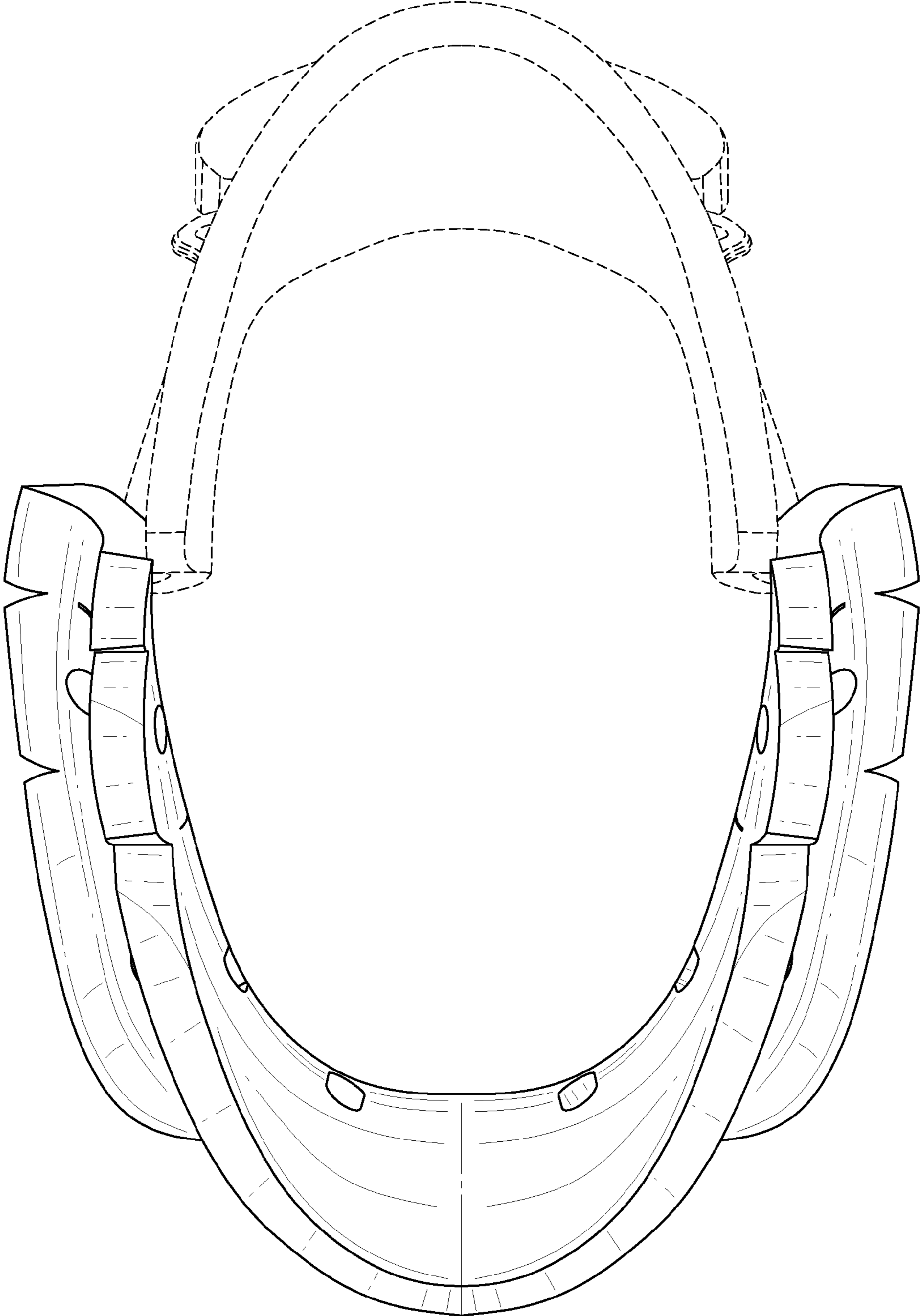


FIG. 6



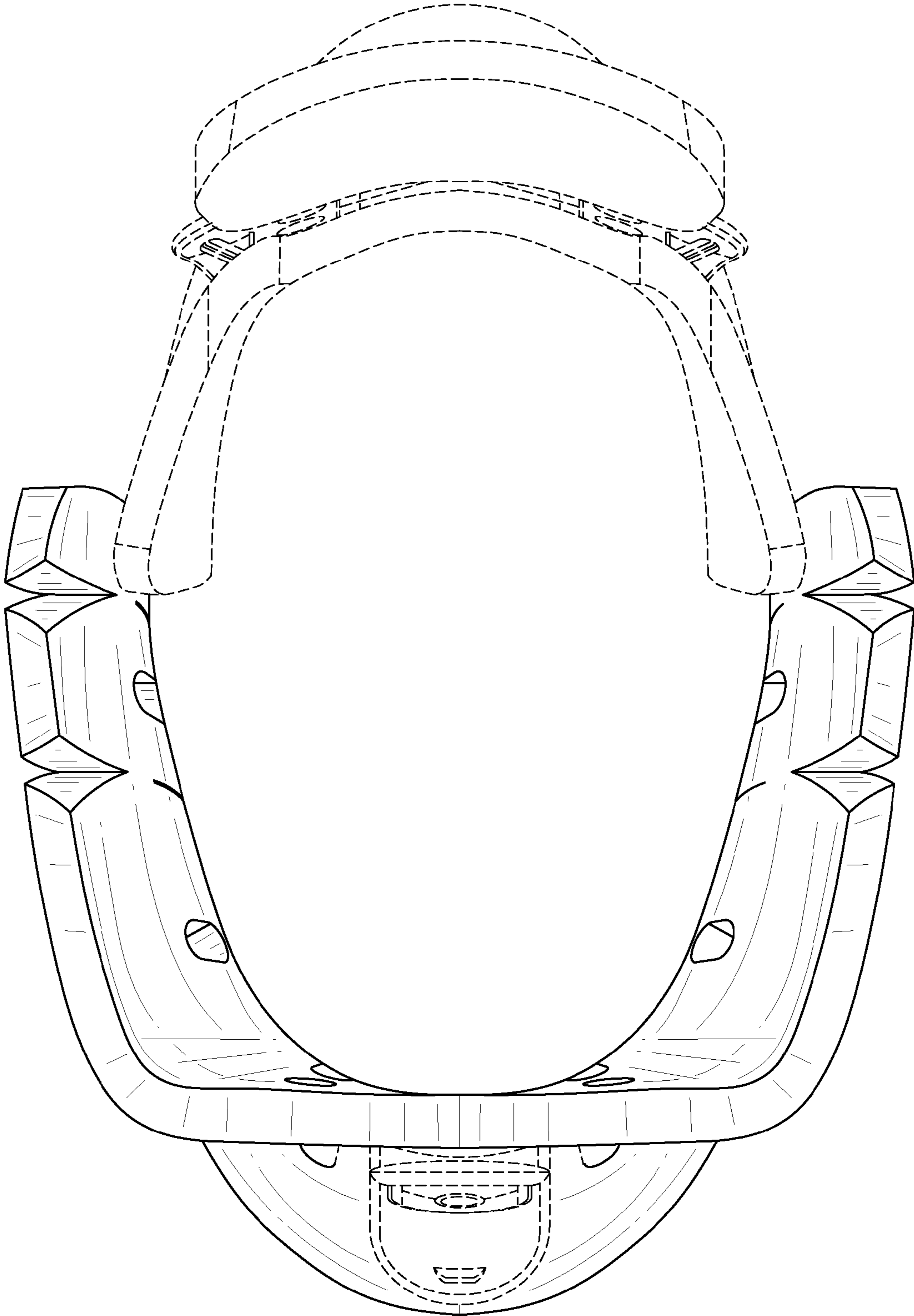


FIG. 7