



US00D647608S

(12) **United States Design Patent**
Young et al.

(10) **Patent No.:** **US D647,608 S**

(45) **Date of Patent:** **** Oct. 25, 2011**

(54) **ELECTRIC AIR FRESHENER**

(75) Inventors: **Christopher Young**, Industry, IL (US);
Robert Buenzow, Hamilton, IL (US)

(73) Assignee: **Bath & Body Works Brand Management, Inc.**, Reynoldsburg, OH (US)

(**) Term: **14 Years**

(21) Appl. No.: **29/385,216**

(22) Filed: **Feb. 10, 2011**

(51) **LOC (9) Cl.** **28-99**

(52) **U.S. Cl.** **D23/366**

(58) **Field of Classification Search** D23/355-369;
D28/5, 6; 261/DIG. 17, DIG. 42, DIG. 65,
261/DIG. 88, DIG. 89; 392/386, 390, 391,
392/392, 393, 394, 395; 239/34, 35, 44-47,
239/50, 53, 56, 60, 145, 326

See application file for complete search history.

(56) **References Cited**

U.S. PATENT DOCUMENTS

D379,652	S	*	6/1997	Okamoto	D23/367
D430,659	S		9/2000	Zaragoza et al.		
D433,744	S	*	11/2000	Basaganas	D23/366
D437,636	S	*	2/2001	Basaganas	D23/366
6,236,807	B1	*	5/2001	Ruffolo et al.	392/390
D462,755	S	*	9/2002	Basaganas Millan	D23/366
D464,416	S	*	10/2002	von Dohlen et al.	D23/366
6,466,739	B2	*	10/2002	Ambrosi et al.	392/395
D476,070	S	*	6/2003	Basaganas Millan	D23/366
D483,461	S	*	12/2003	Millan	D23/366
D488,856	S	*	4/2004	Millan	D23/366
D493,899	S	*	8/2004	Grodsky et al.	D26/26
D507,636	S	*	7/2005	Baraky et al.	D23/366
7,014,818	B2	*	3/2006	Rymer	422/123
D522,119	S		5/2006	Baraky et al.		
D533,930	S	*	12/2006	Keller et al.	D23/366
RE40,392	E	*	6/2008	Rymer et al.	D23/366

D574,076	S	*	7/2008	Baraky	D23/366
D604,402	S	*	11/2009	Tomas Vilarasa et al.	...	D23/366
D605,277	S	*	12/2009	Rossi	D23/366
D606,643	S	*	12/2009	Butler et al.	D23/366
D612,472	S	*	3/2010	Rossi	D23/366
7,740,395	B2	*	6/2010	Samuel et al.	362/643
D622,813	S	*	8/2010	Sewzyk et al.	D23/232
D625,400	S	*	10/2010	Deflorian et al.	D23/366
D628,238	S	*	11/2010	Mead	D19/26
D628,283	S	*	11/2010	Valentino et al.	D23/366

* cited by examiner

Primary Examiner — Sandra Snapp

(74) *Attorney, Agent, or Firm* — Colucci & Umans; Notaro, Michalos & Zaccaria P.C.

(57) **CLAIM**

The ornamental design for an electric air freshener, as shown and described.

DESCRIPTION

FIG. 1 is a perspective view of an electric air freshener showing our design therefor;

FIG. 2 is a front elevational view thereof;

FIG. 3 is a rear elevational view thereof;

FIG. 4 is a side elevational view thereof;

FIG. 5 is an opposite side elevational view thereof;

FIG. 6 is a top plan view thereof;

FIG. 7 is a bottom plan view thereof of our invention;

FIG. 8 is a perspective view of a second embodiment;

FIG. 9 is front elevational view of the second embodiment

FIG. 10 is a rear elevational view of the second embodiment;

FIG. 11 is a side elevational view of the second embodiment;

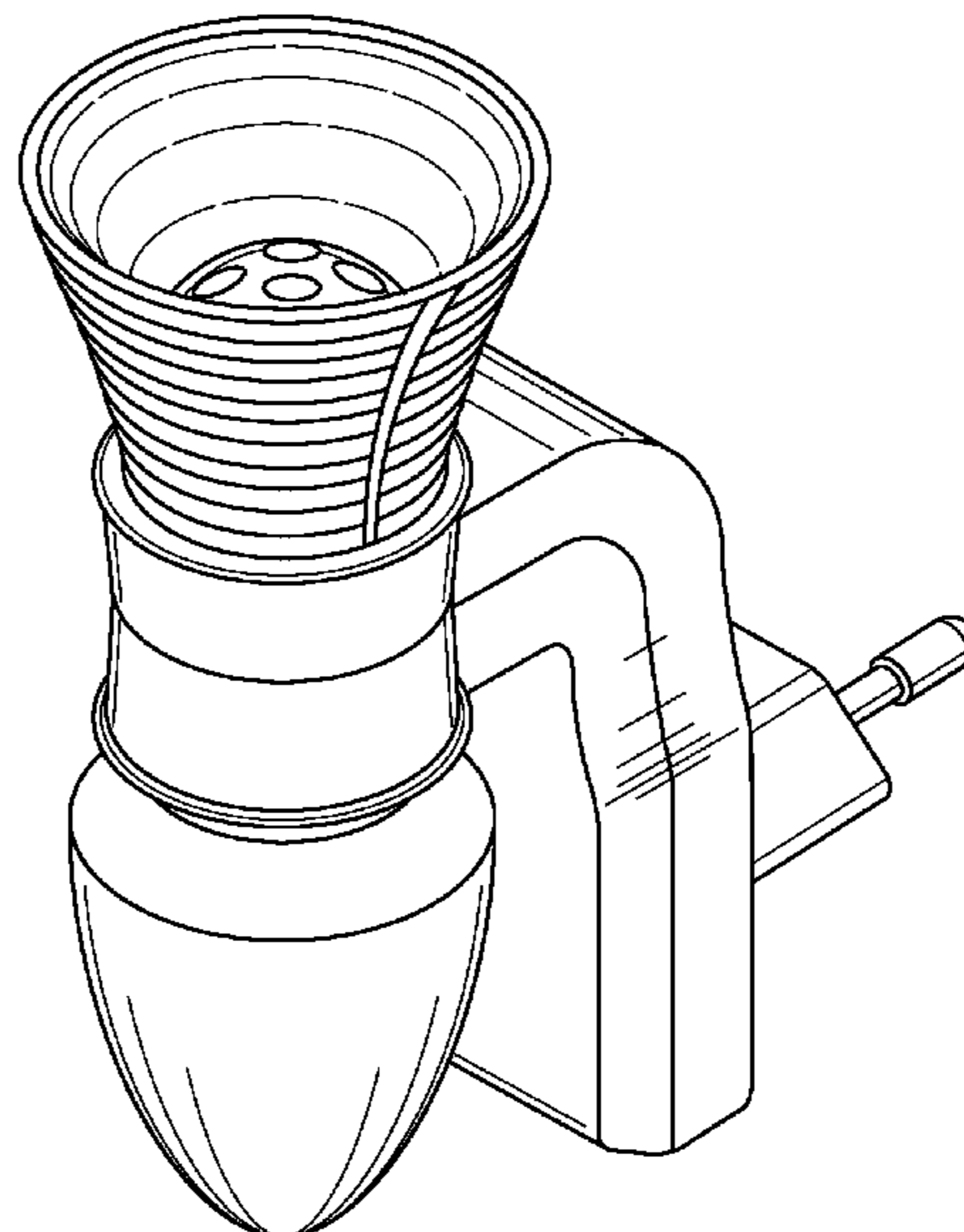
FIG. 12 is an opposite side elevational view of the second embodiment;

FIG. 13 is a top plan view of the second embodiment; and,

FIG. 14 is a bottom plan view of the second embodiment.

The broken lines shown in the drawings are for illustrative purposes only and form no part of the claimed design.

1 Claim, 14 Drawing Sheets



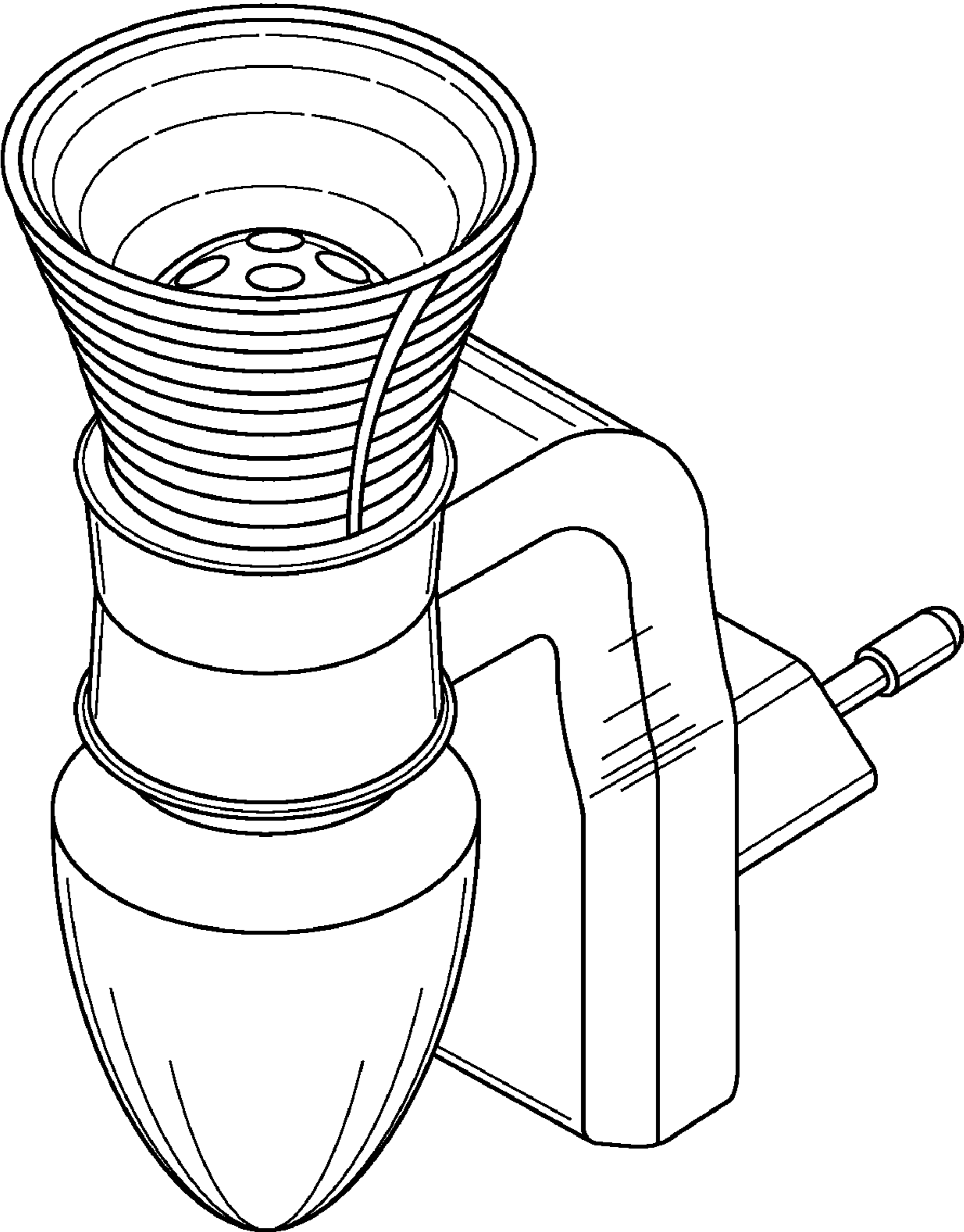


FIG. 1

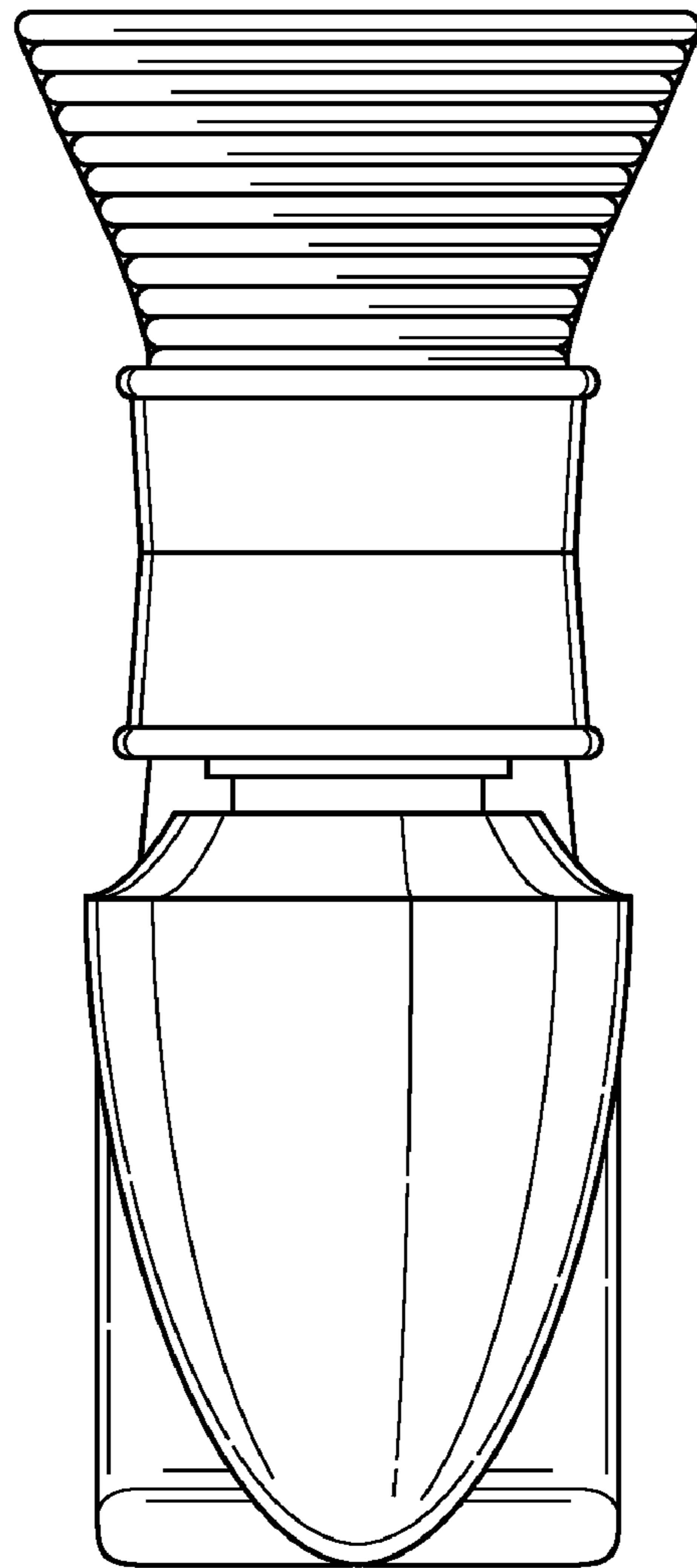


FIG. 2

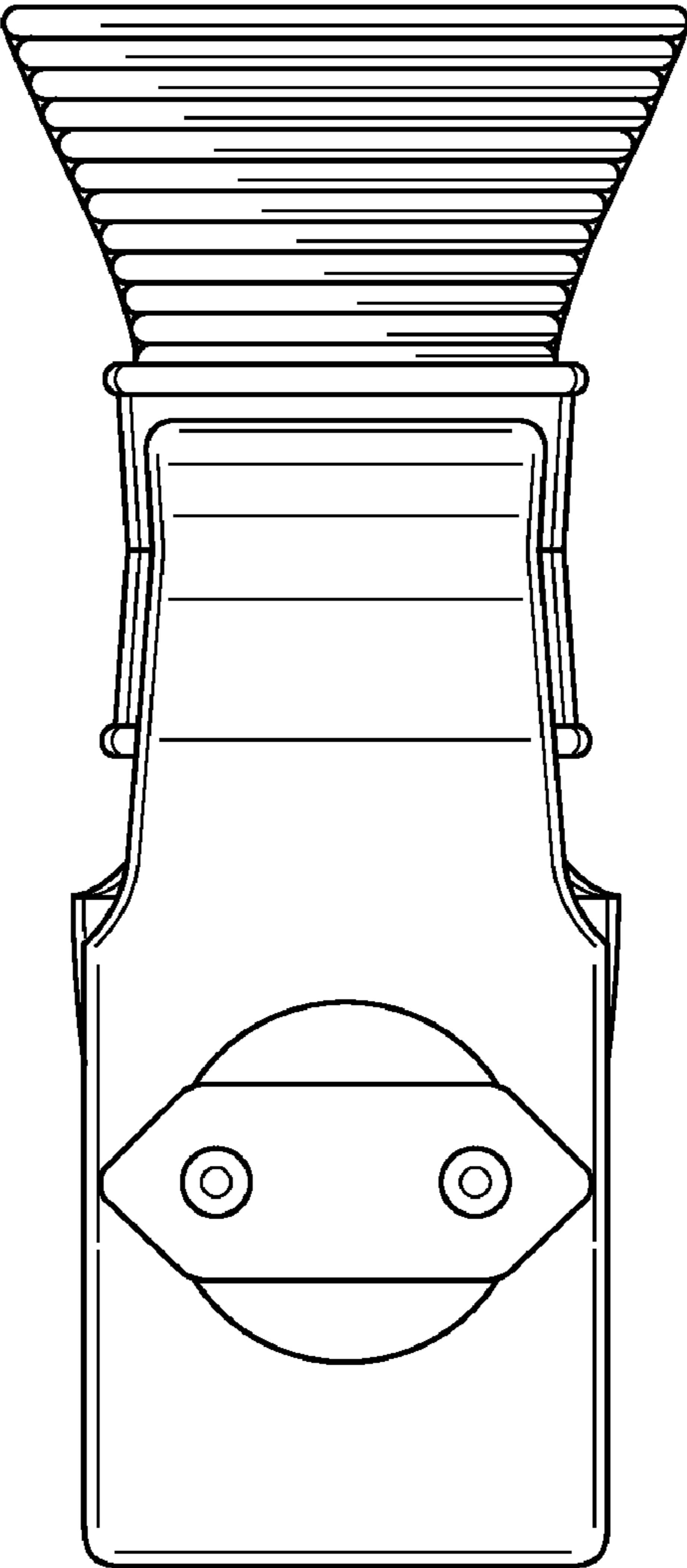


FIG. 3

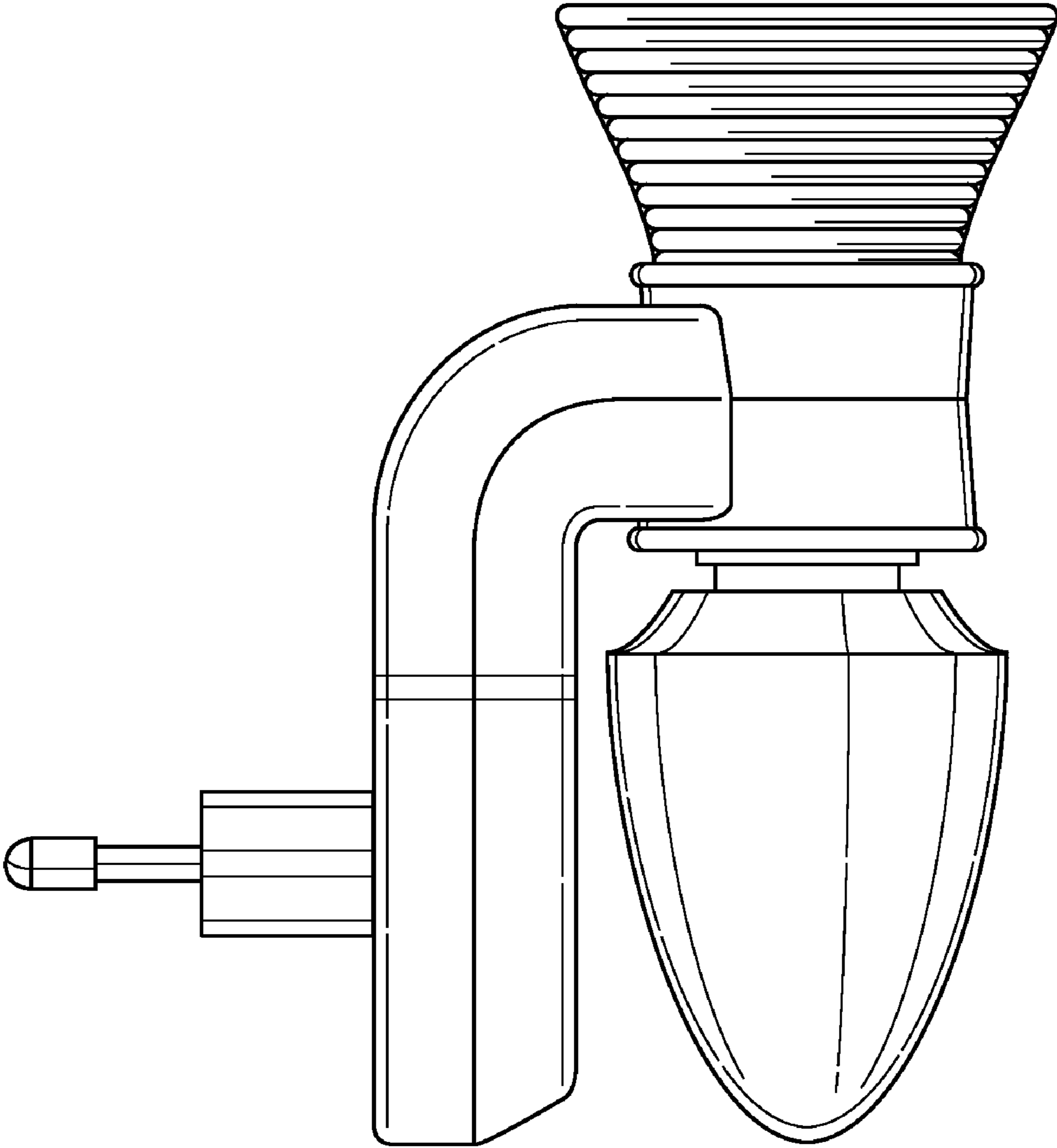


FIG. 4

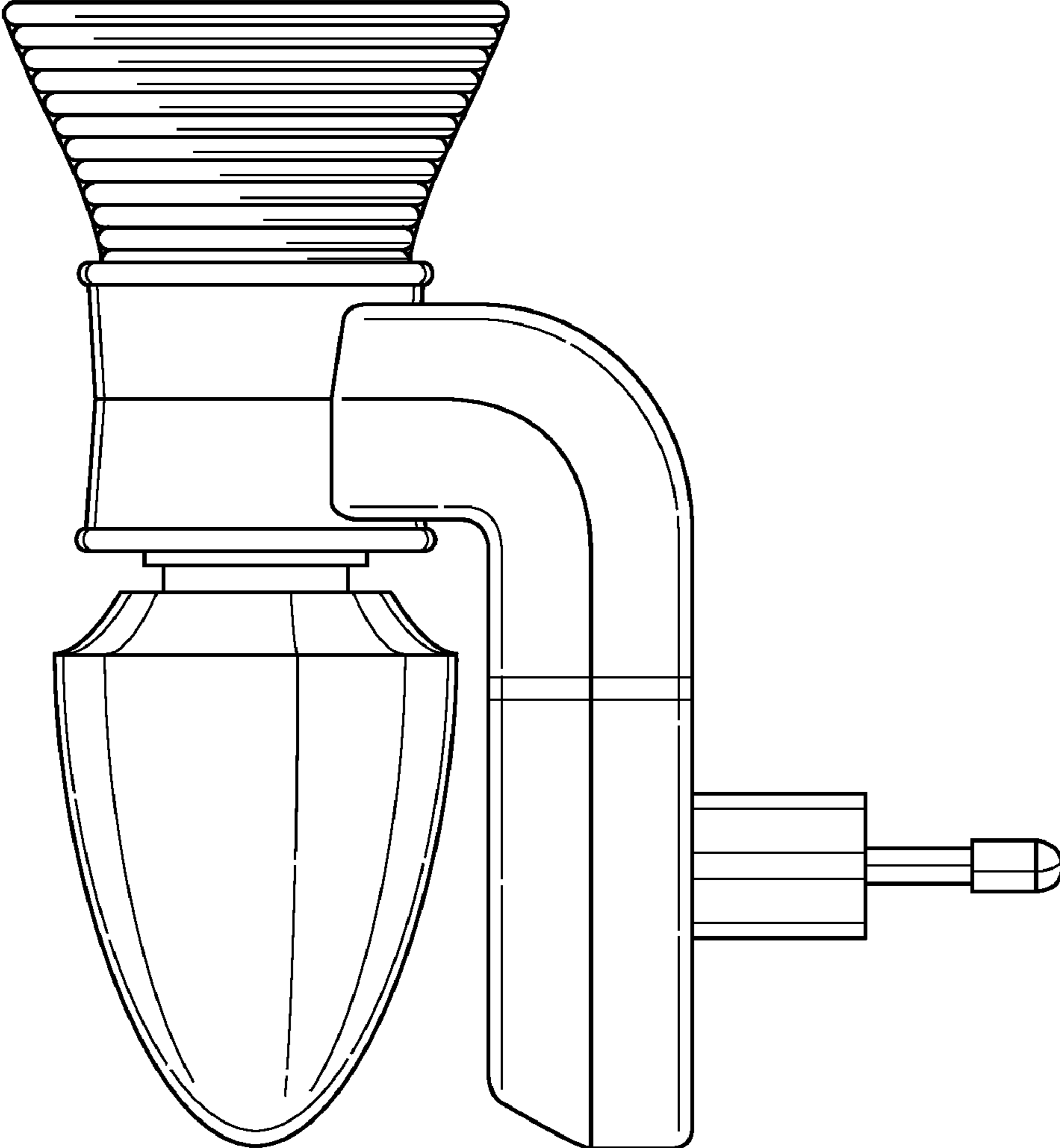


FIG. 5

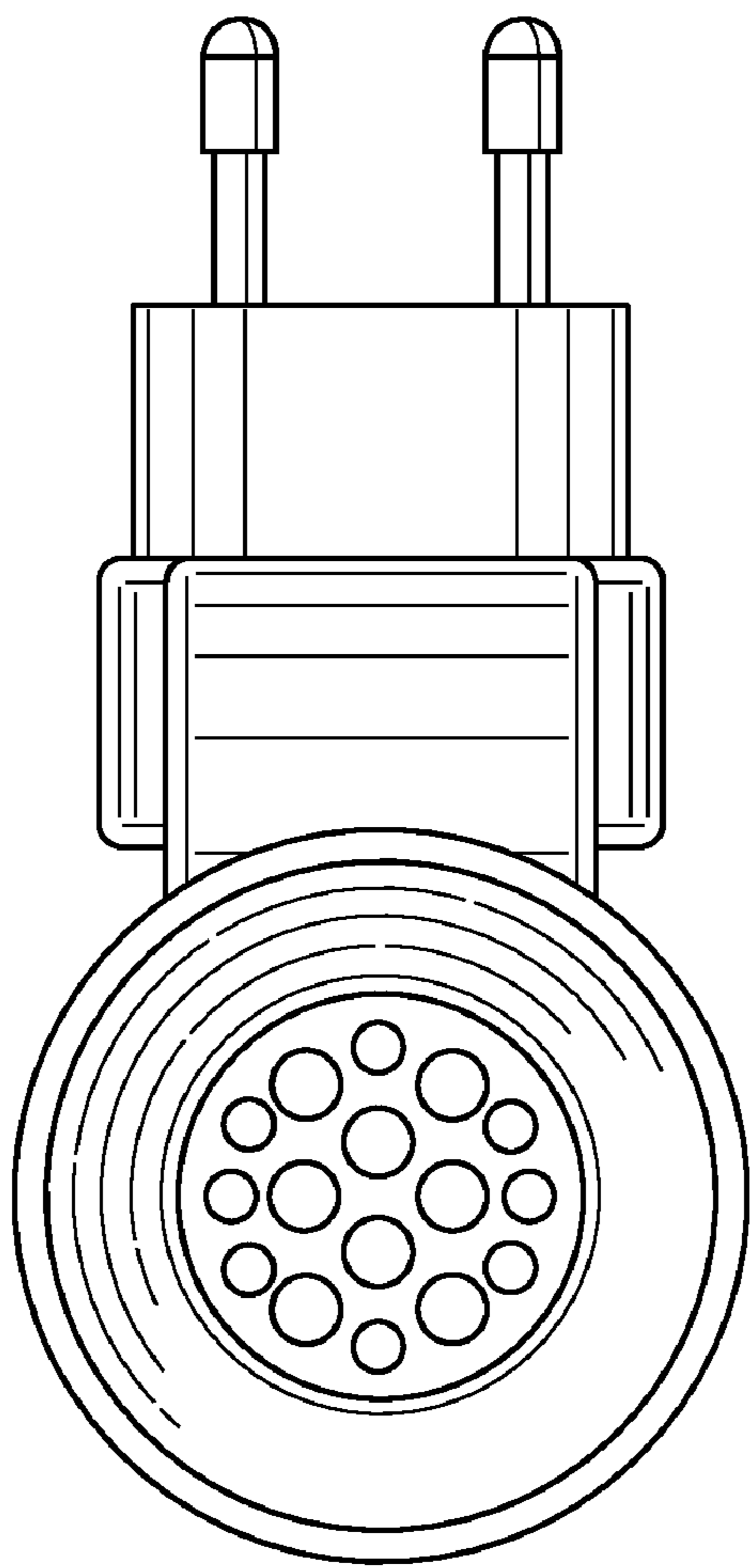


FIG. 6

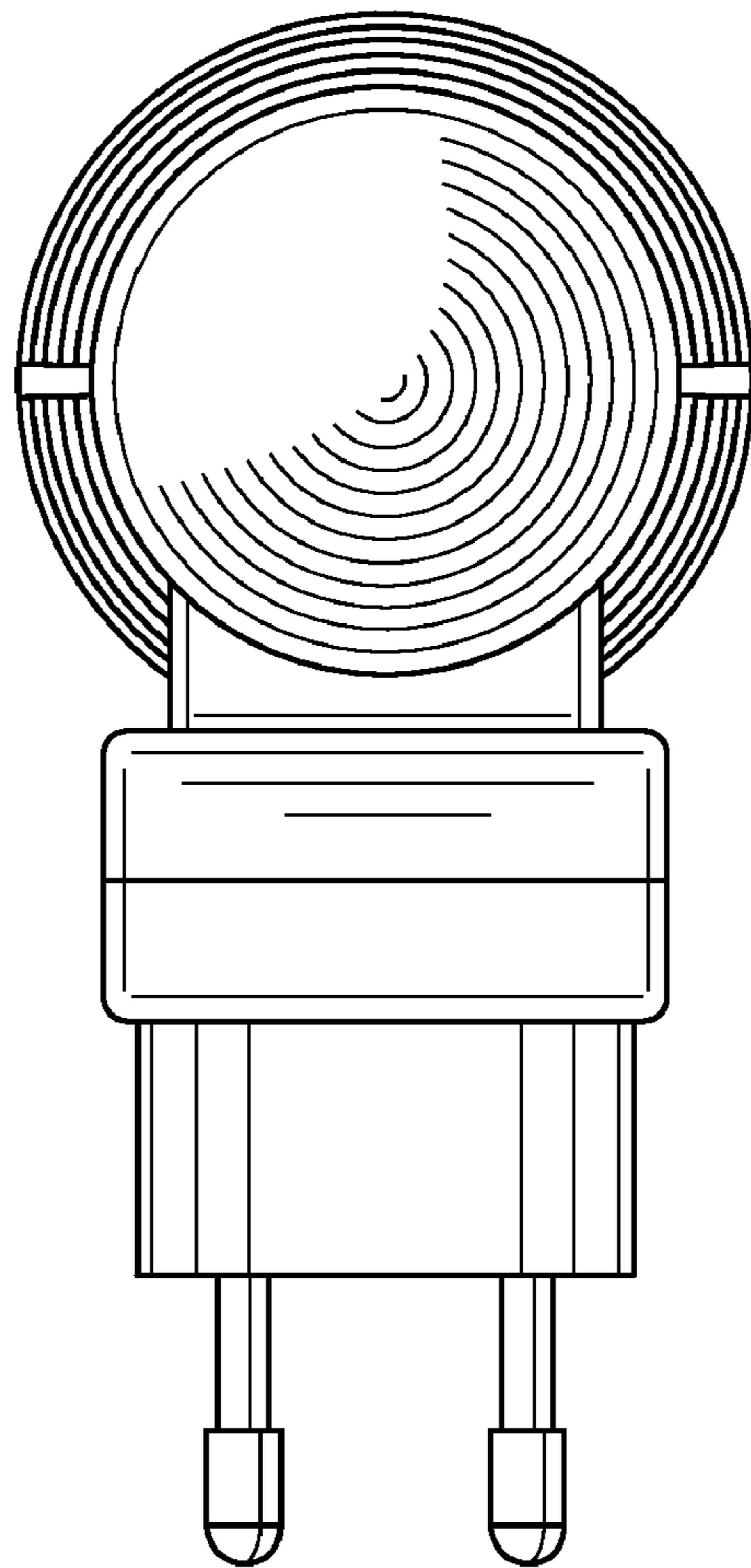


FIG. 7

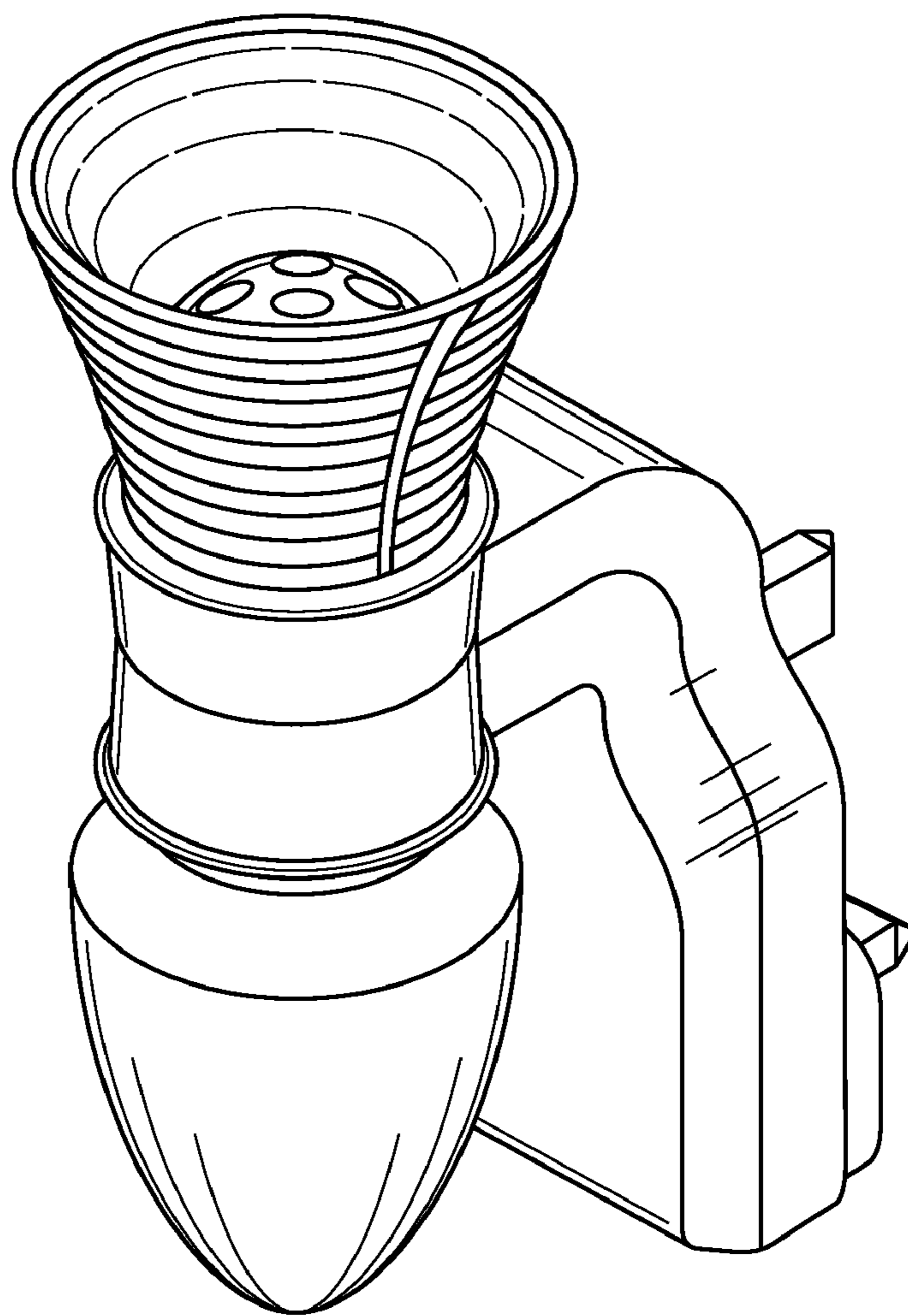


FIG. 8

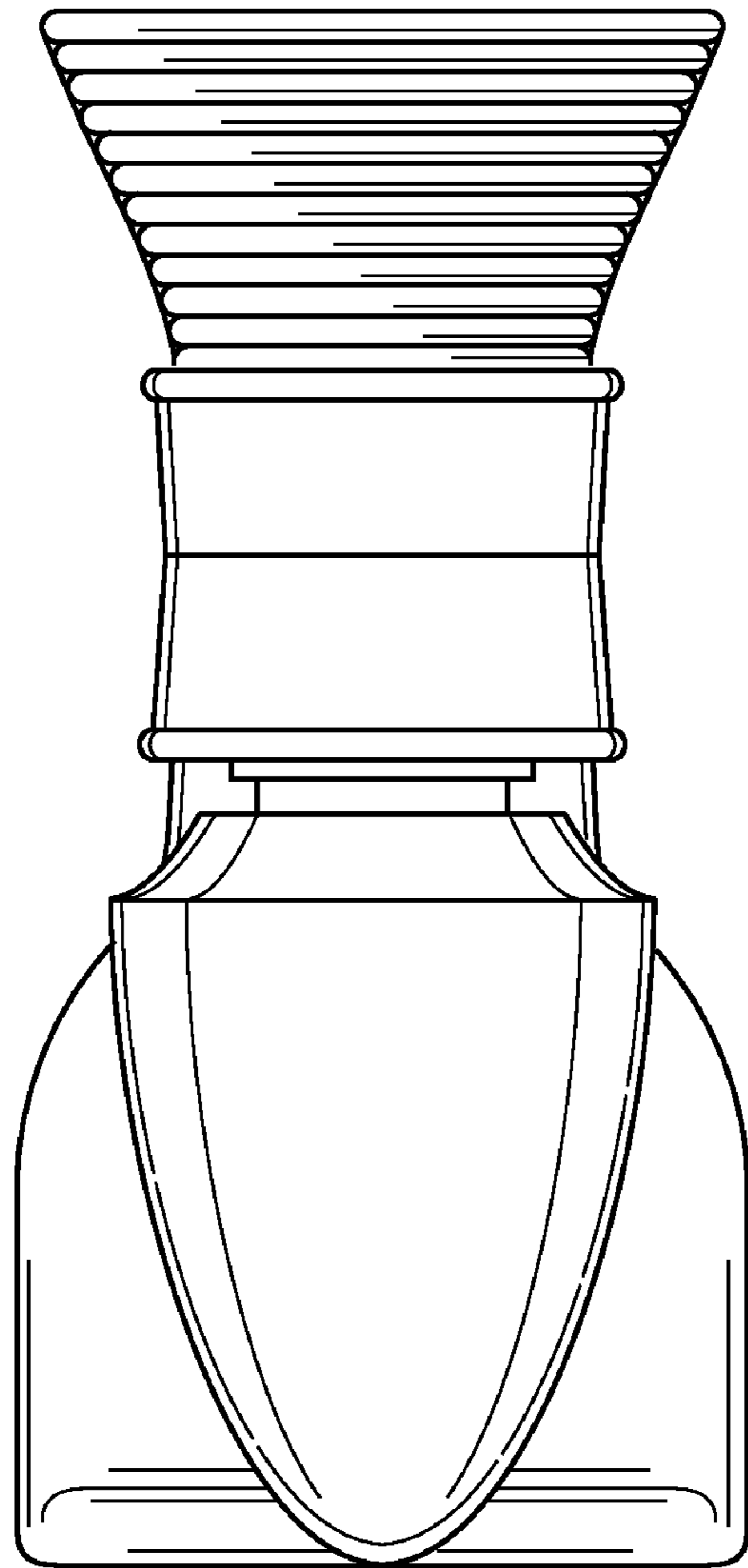


FIG. 9

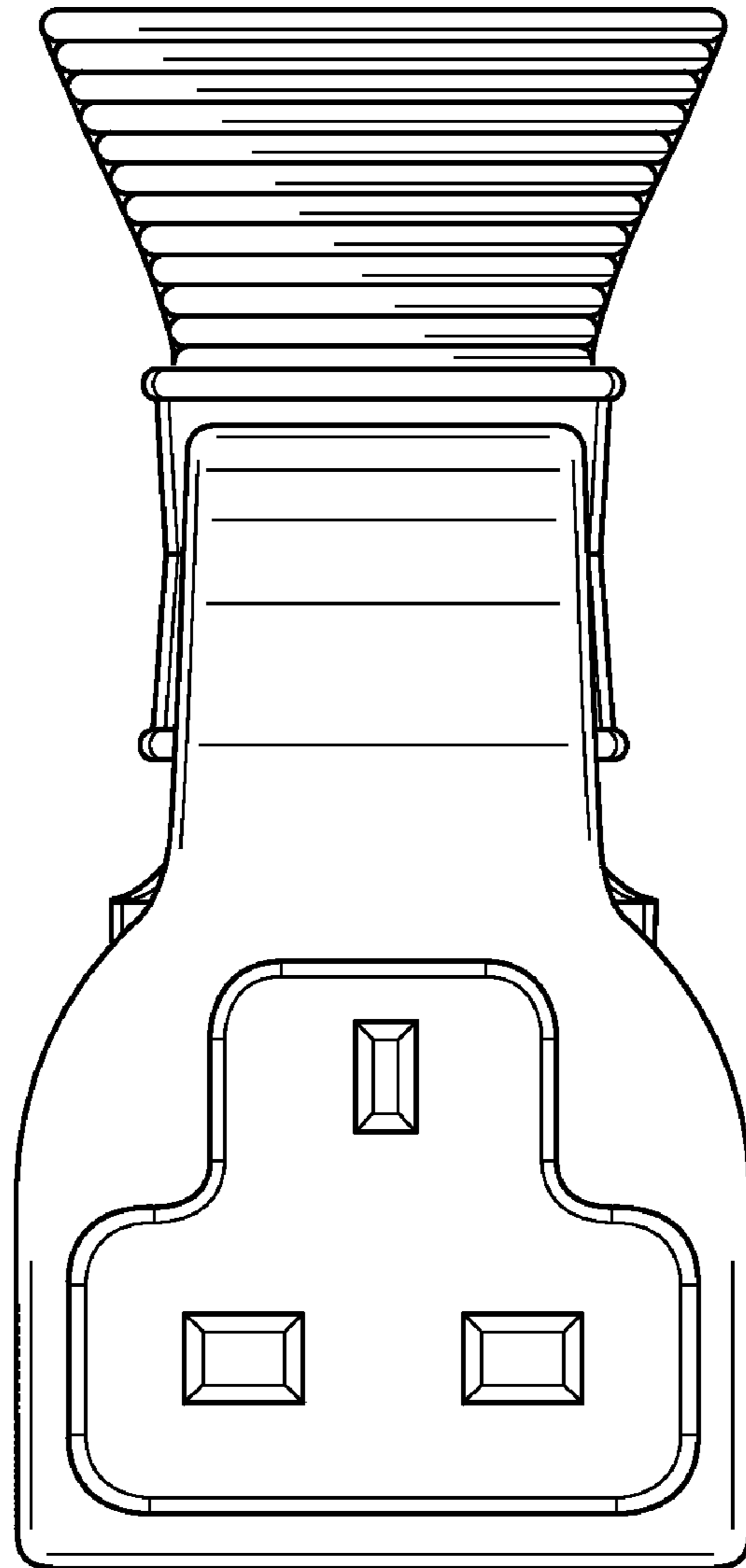


FIG. 10

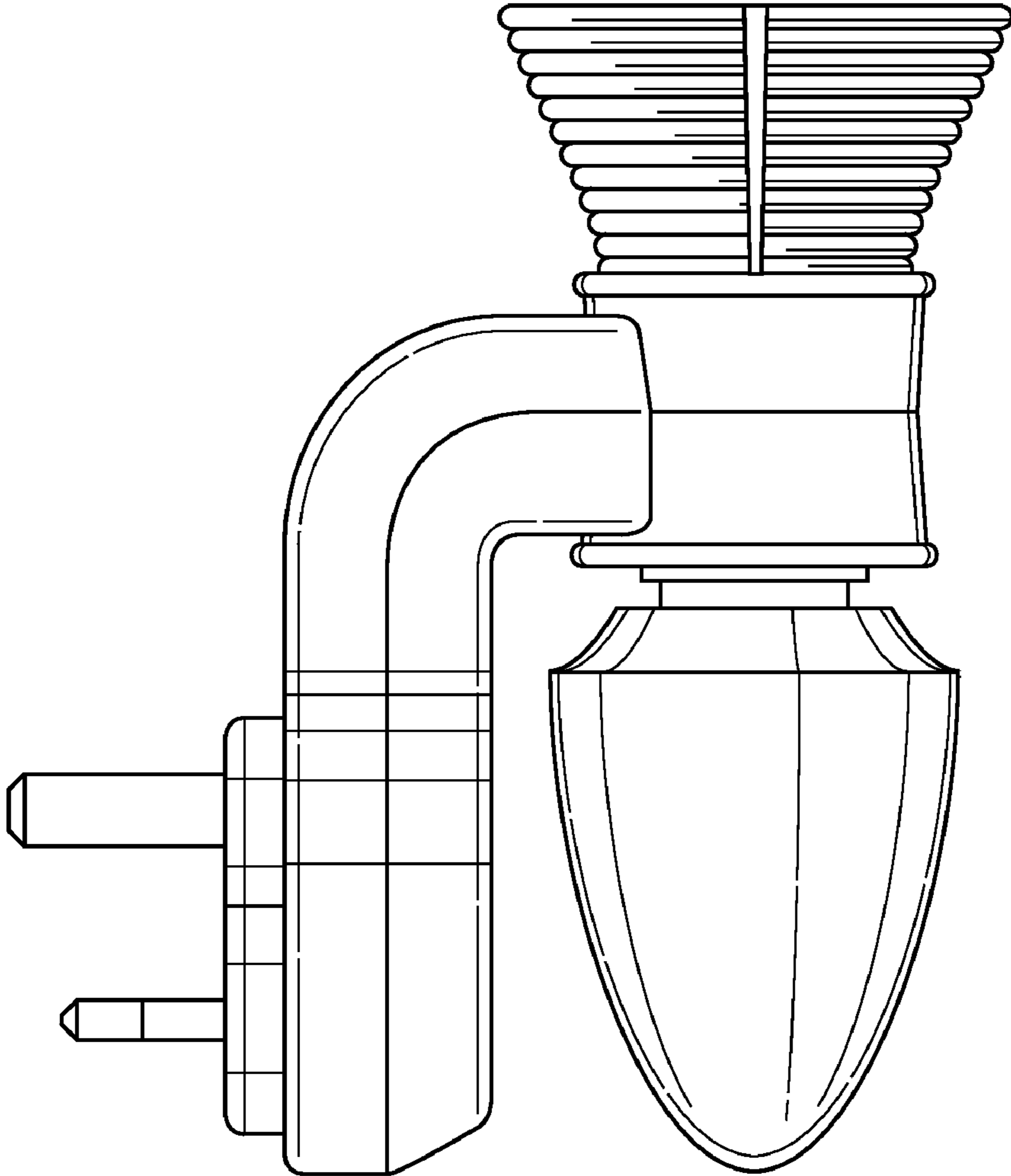


FIG. 11

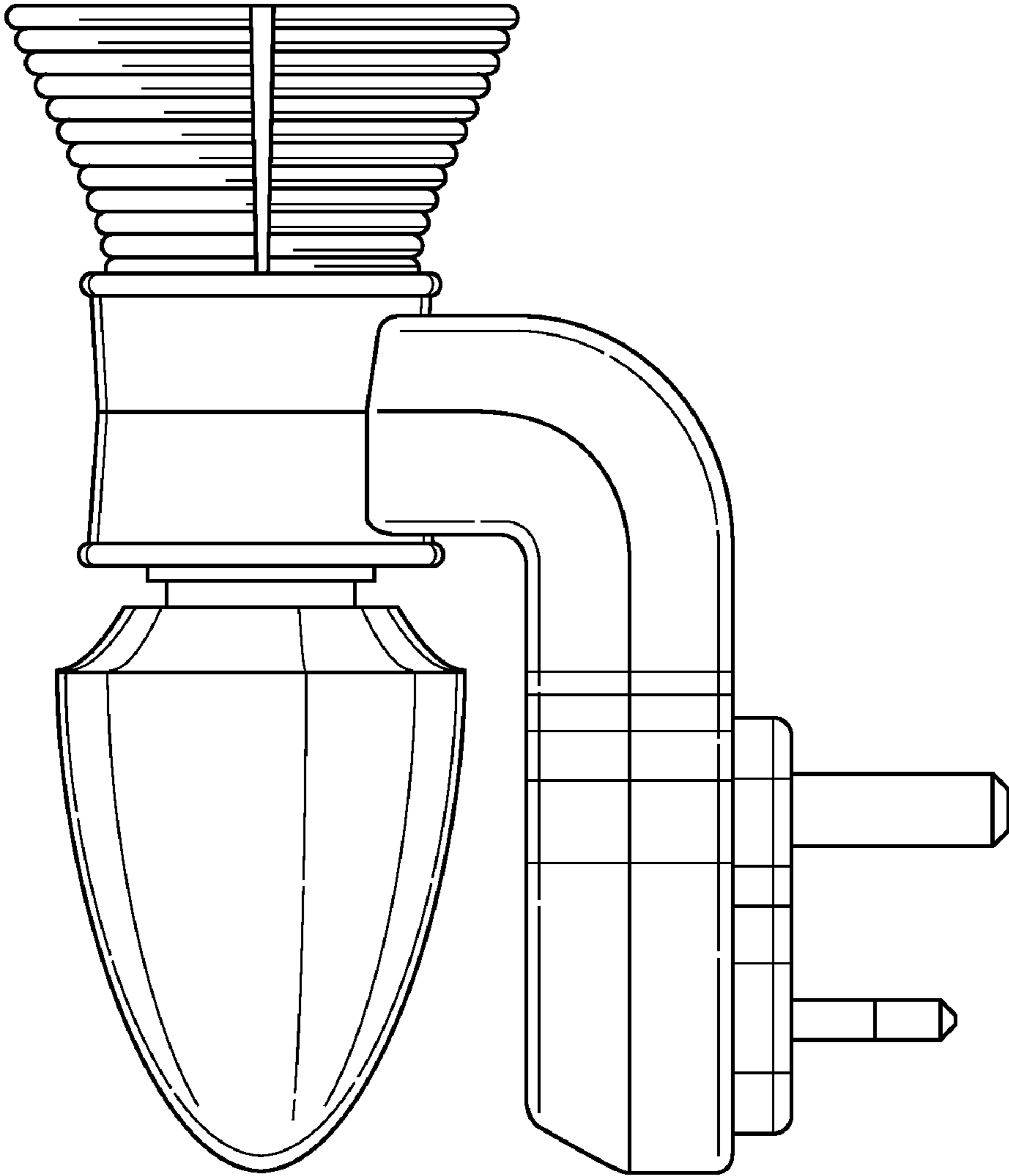


FIG. 12

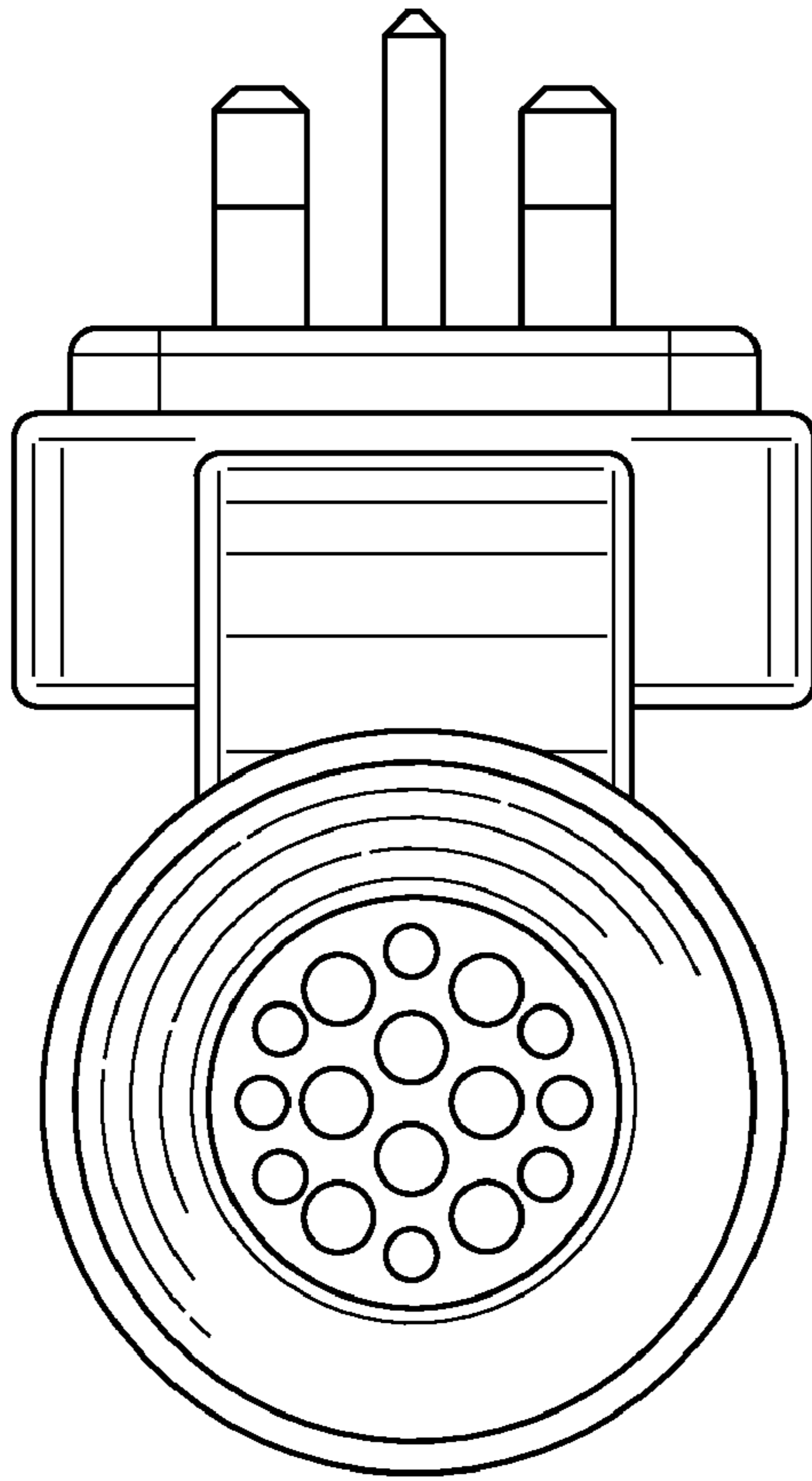


FIG. 13

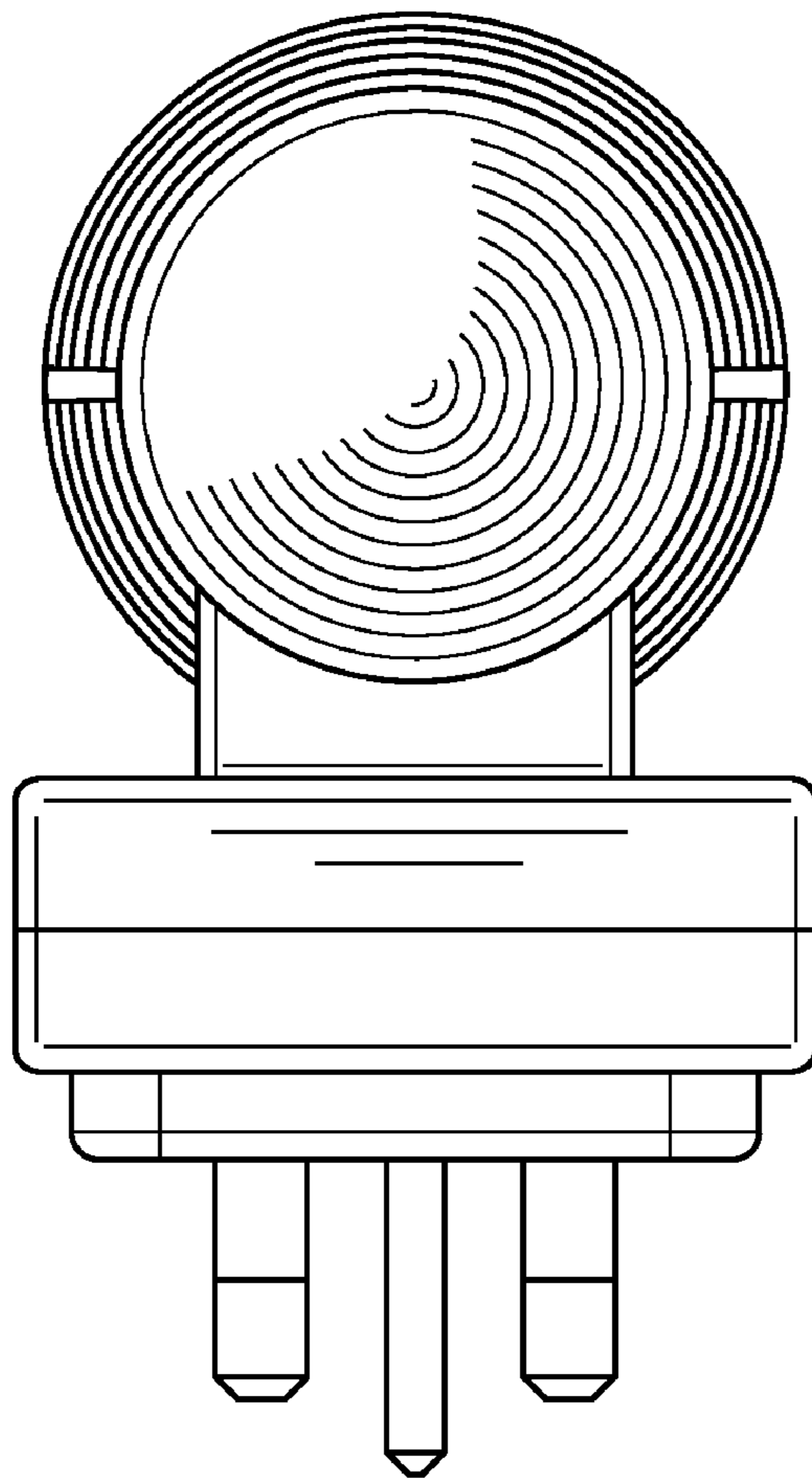


FIG. 14