



US00D647605S

(12) **United States Design Patent**
Booth

(10) **Patent No.:** **US D647,605 S**

(45) **Date of Patent:** **** Oct. 25, 2011**

(54) **SINK**

(74) *Attorney, Agent, or Firm* — Foley & Lardner LLP

(75) Inventor: **Shawn J. Booth**, Sheboygan, WI (US)

(57) **CLAIM**

(73) Assignee: **Kohler Co.**, Kohler, WI (US)

We claim the ornamental design for a sink, as shown and described.

(**) Term: **14 Years**

(21) Appl. No.: **29/386,881**

DESCRIPTION

(22) Filed: **Mar. 4, 2011**

(51) **LOC (9) Cl.** **23-02**

(52) **U.S. Cl.** **D23/293.1**

(58) **Field of Classification Search** D23/272–274,
D23/284, 286–287, 290, 293.1, 303, 308;
4/619, 639, 630–631

See application file for complete search history.

FIG. 1 is a top perspective view of an embodiment of the claimed design;

FIG. 2 is a top plan view of the claimed design of FIG. 1;

FIG. 3 is a bottom plan view of the claimed design of FIG. 1;

FIG. 4 is a front elevation view of the claimed design of FIG. 1;

FIG. 5 is a right-side elevation view of the claimed design of FIG. 1;

FIG. 6 is a rear elevation view of the claimed design of FIG. 1;

FIG. 7 is a cross-sectional view of FIG. 4; and,

FIG. 8 is a cross-sectional view of FIG. 5.

The ornamental design which is claimed is shown in solid lines in the drawings. The broken lines in the drawings are for illustrative purposes only and form no part of the claimed design.

(56) **References Cited**

U.S. PATENT DOCUMENTS

D504,496 S * 4/2005 Bayer D23/293.1

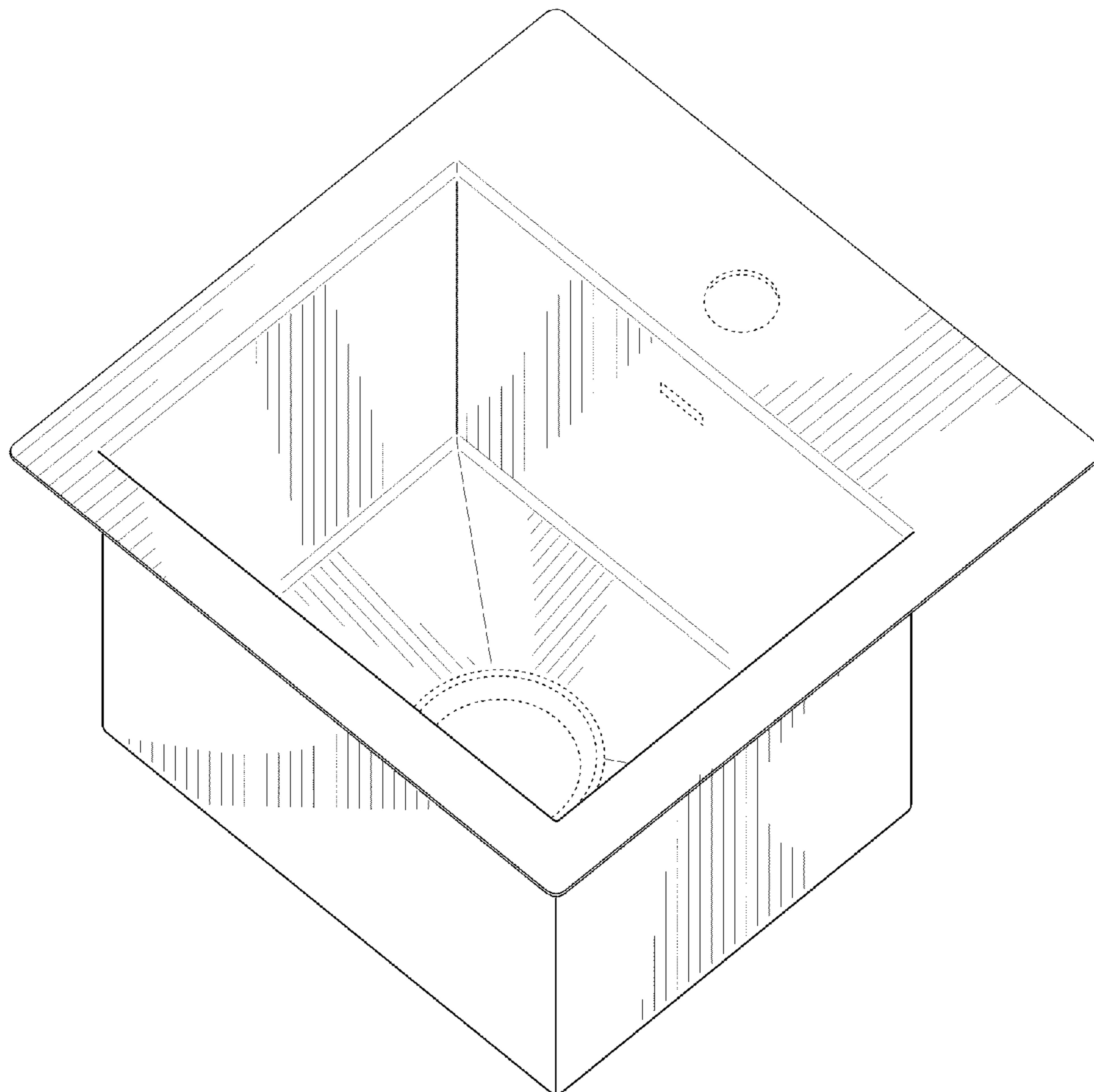
D537,925 S * 3/2007 Mahon D23/293.1

D575,380 S * 8/2008 Ziemann et al. D23/293.1

* cited by examiner

Primary Examiner — Robert Delehanty

1 Claim, 8 Drawing Sheets



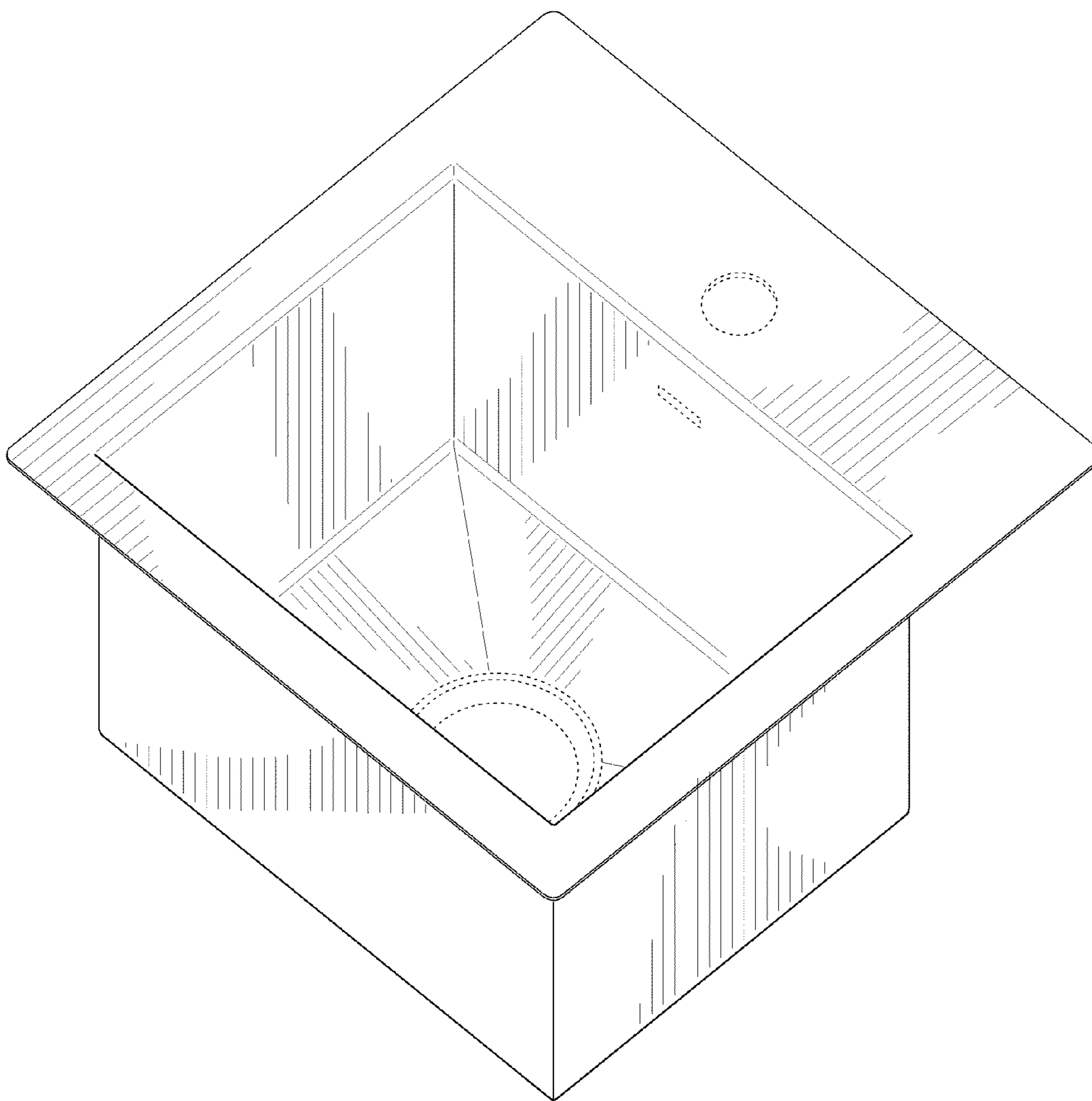


FIG. 1

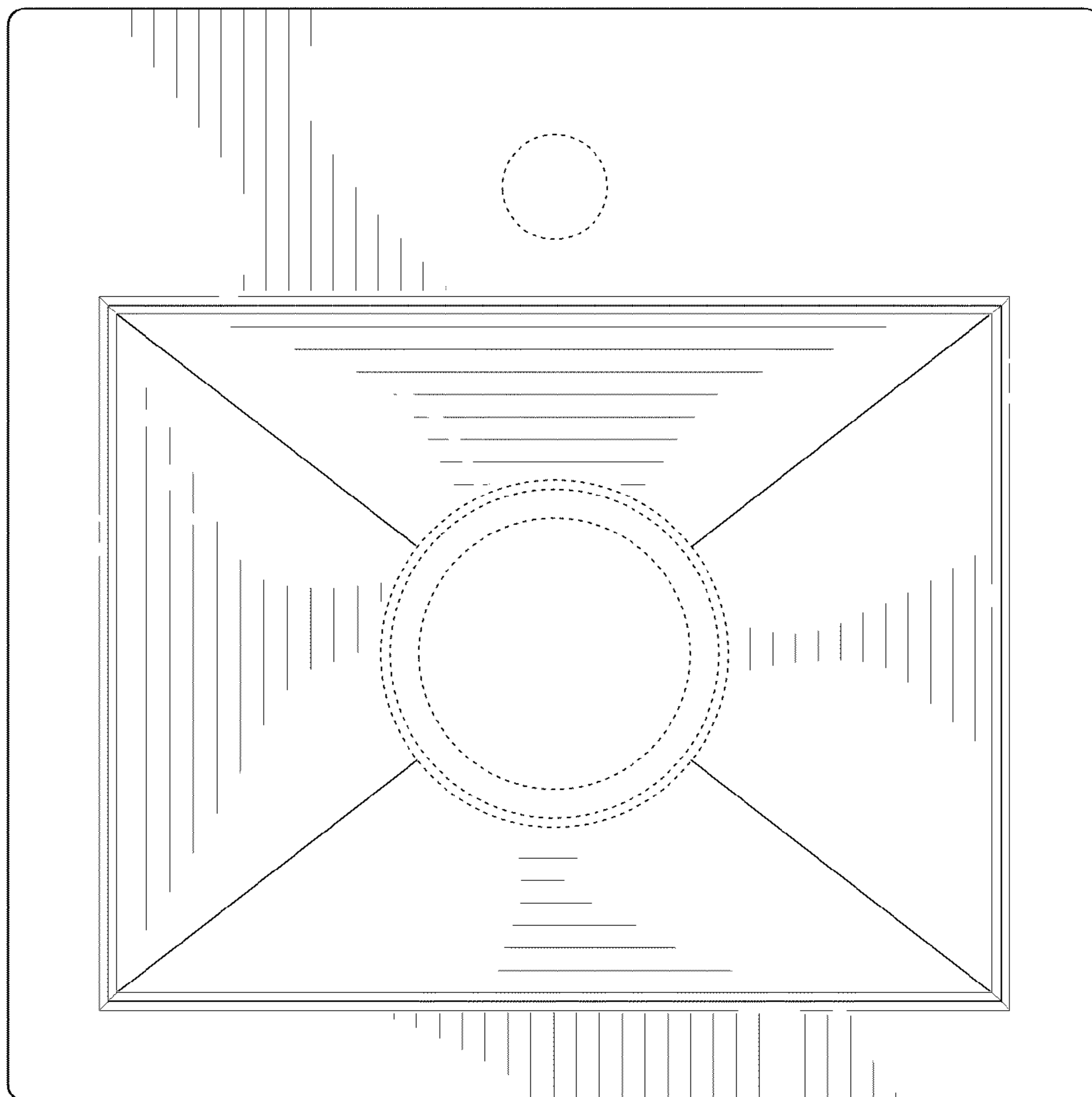


FIG. 2

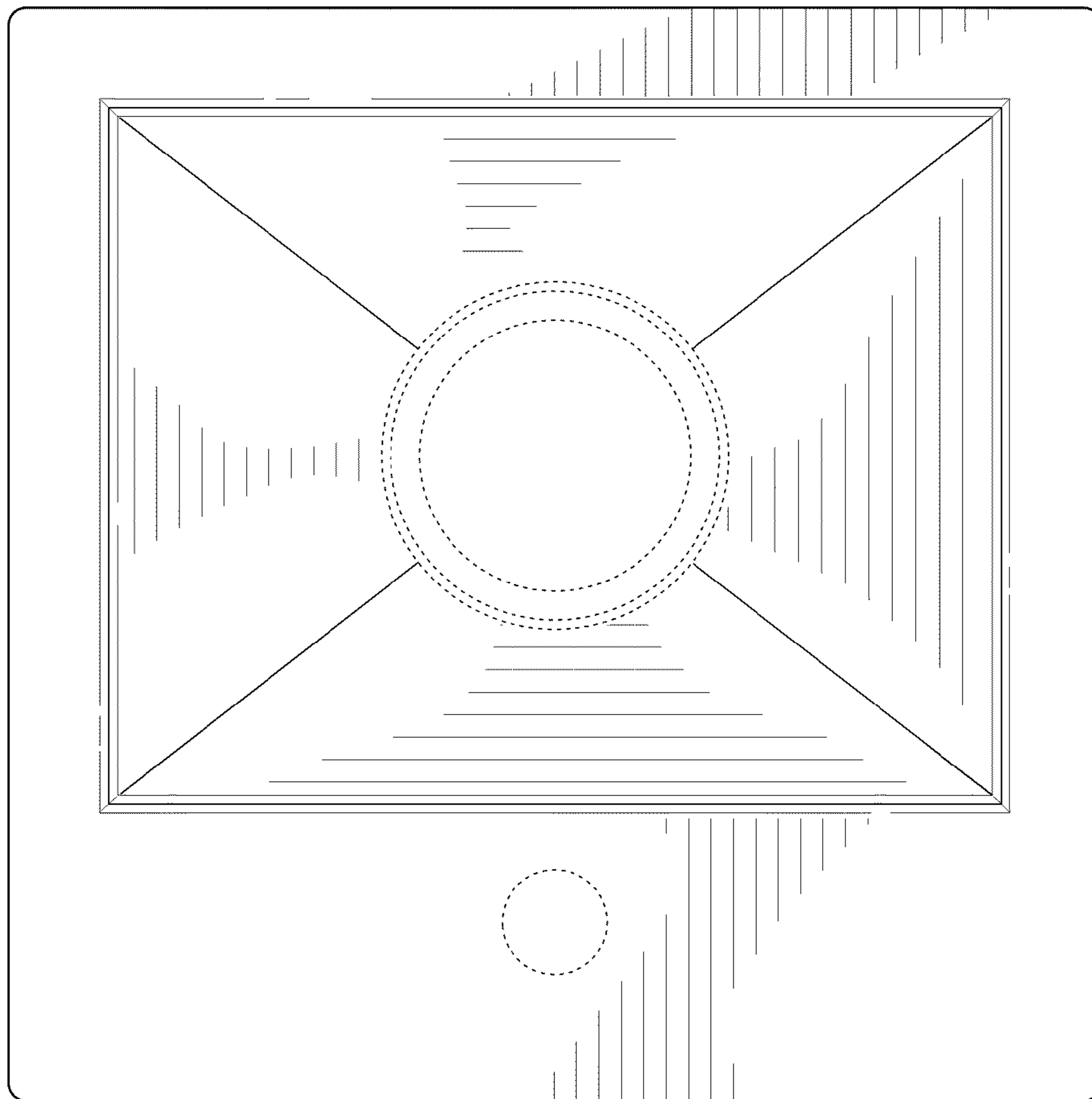


FIG. 3

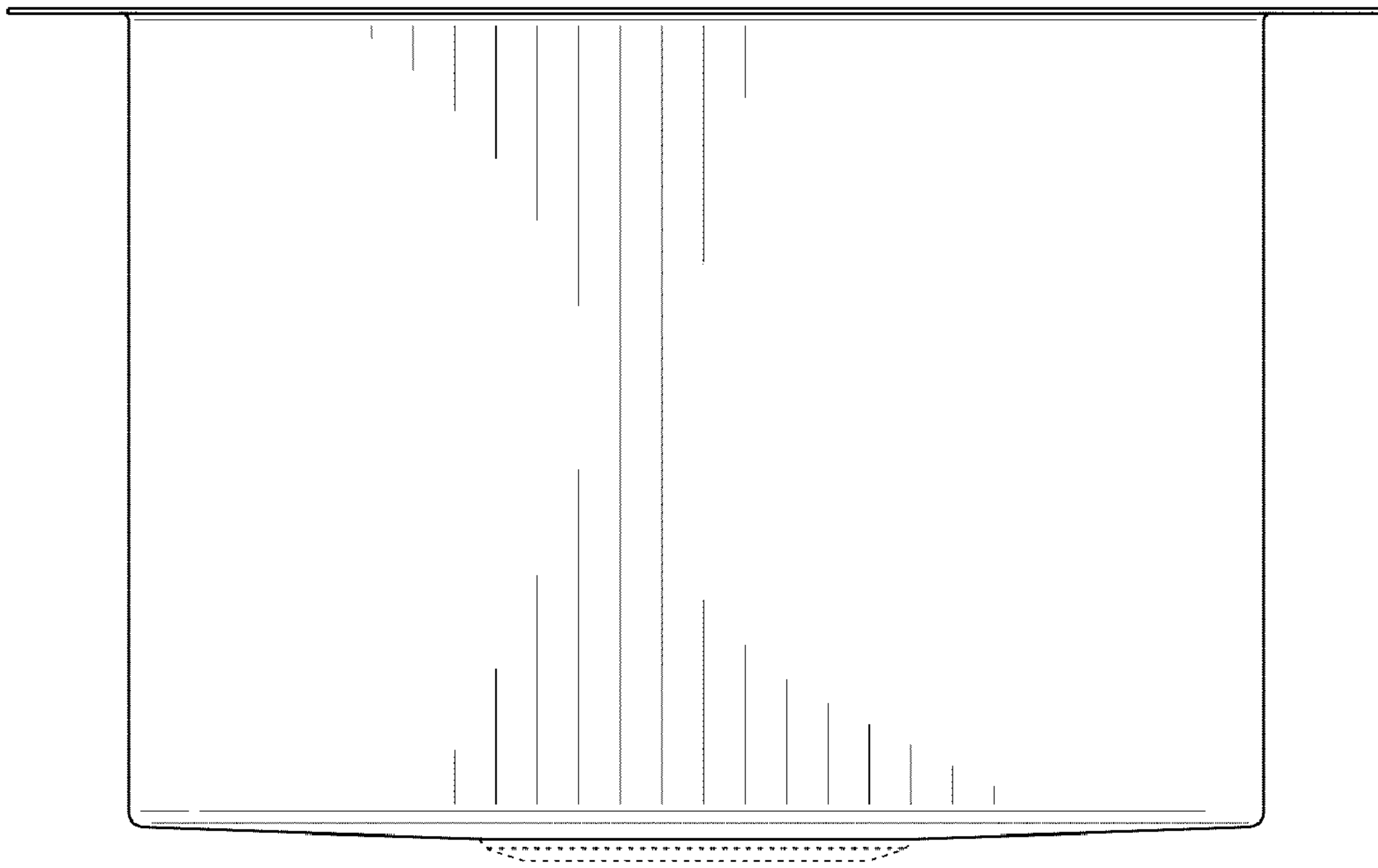


FIG. 4

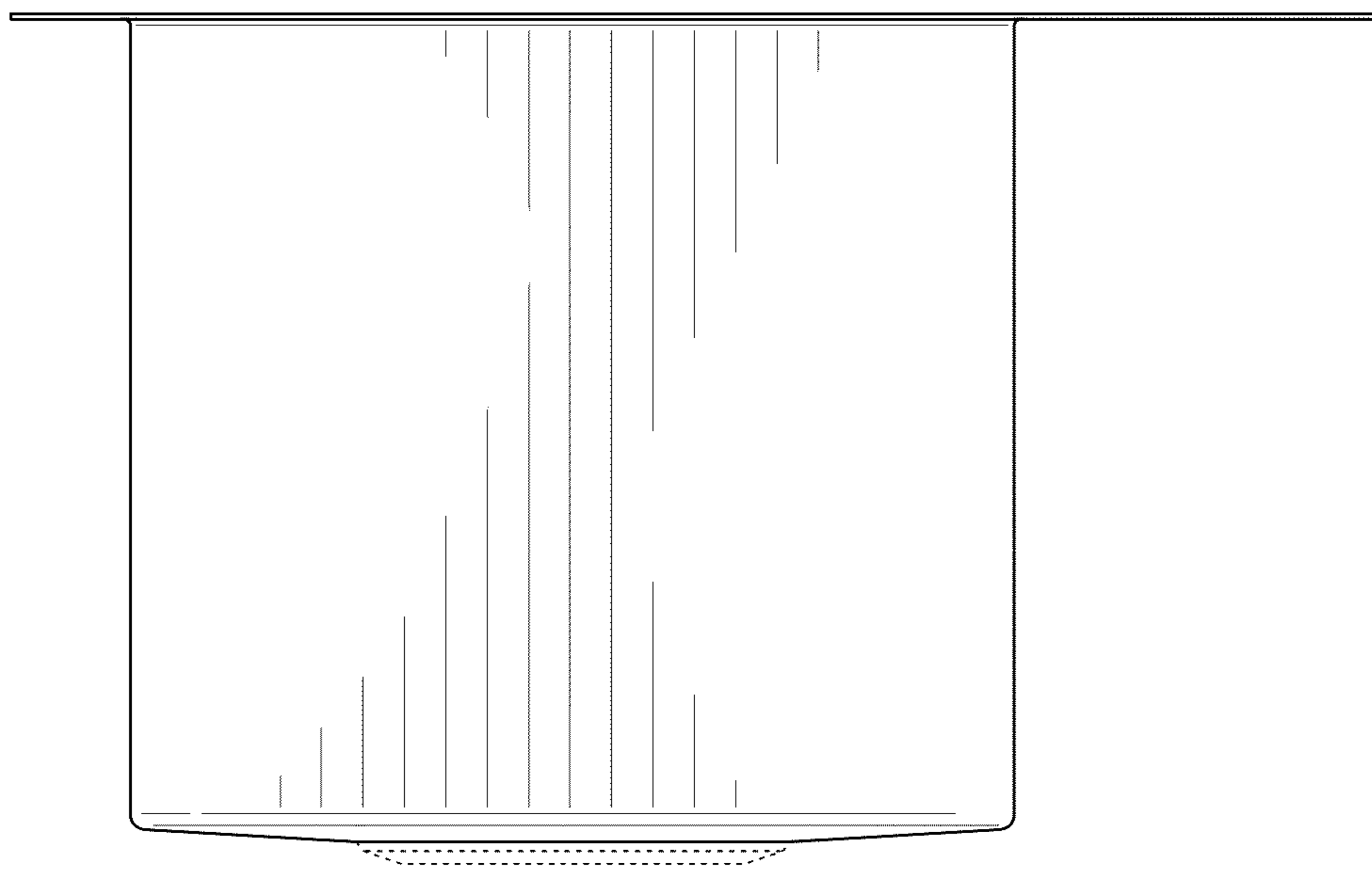


FIG. 5

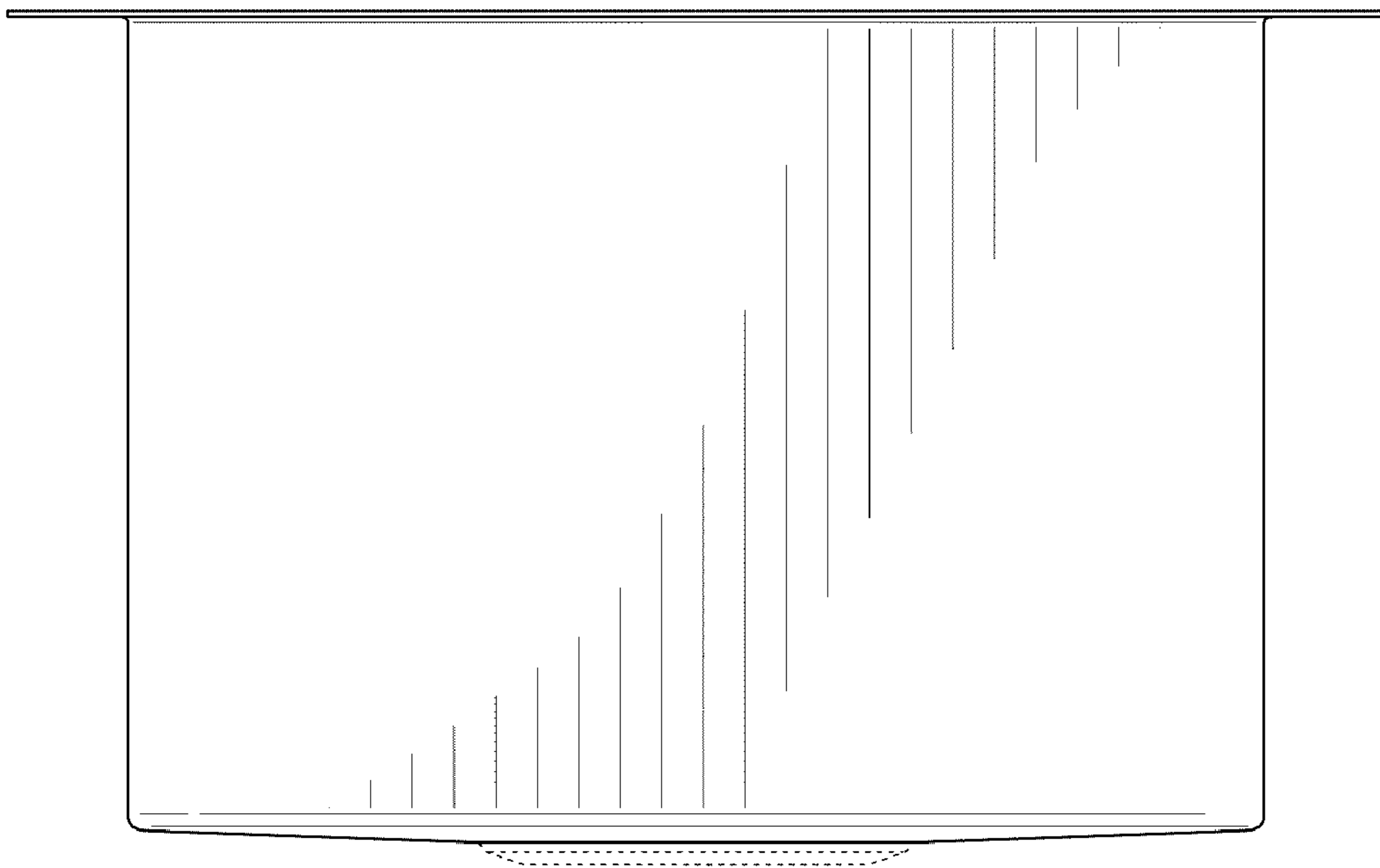


FIG. 6

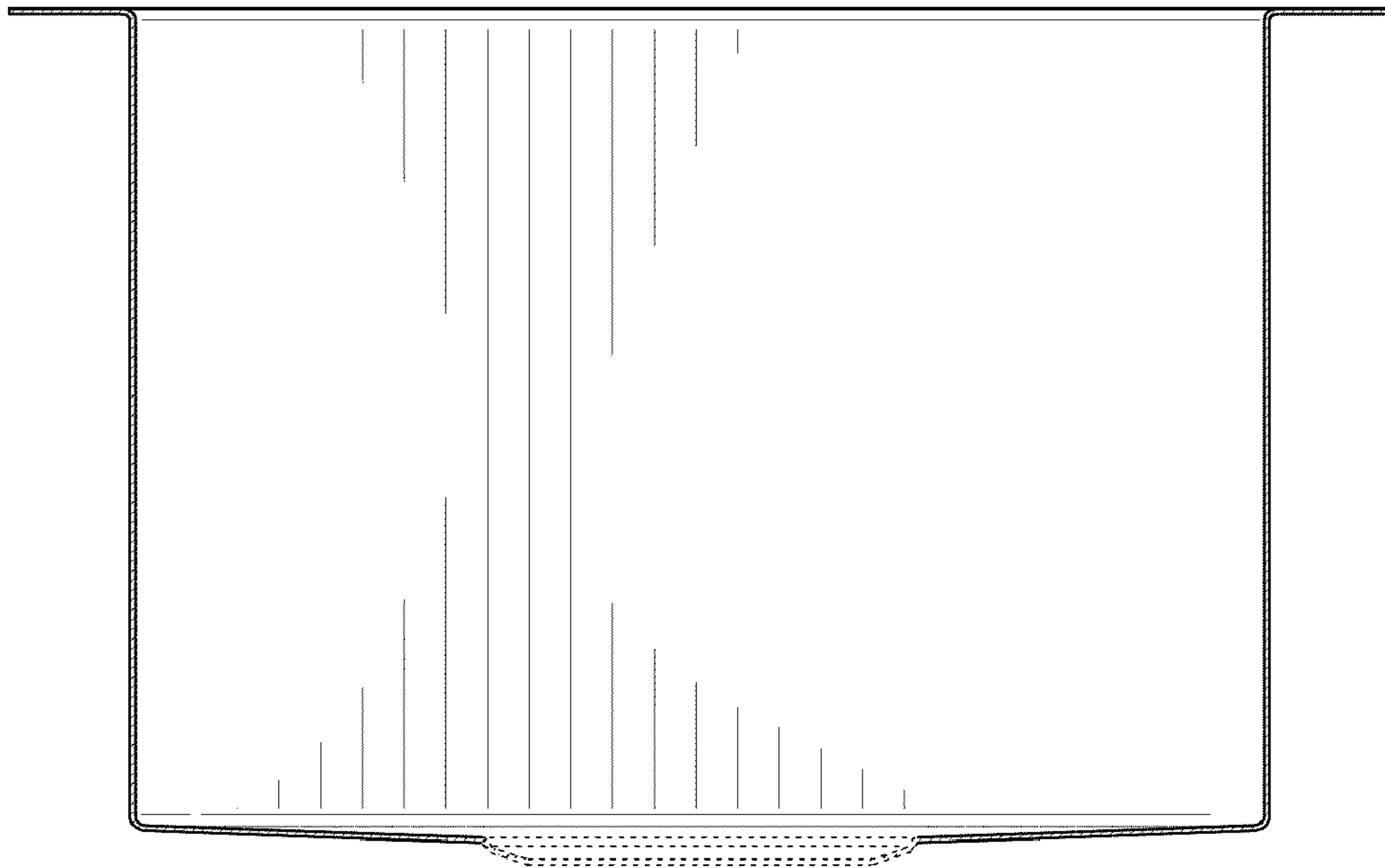


FIG. 7

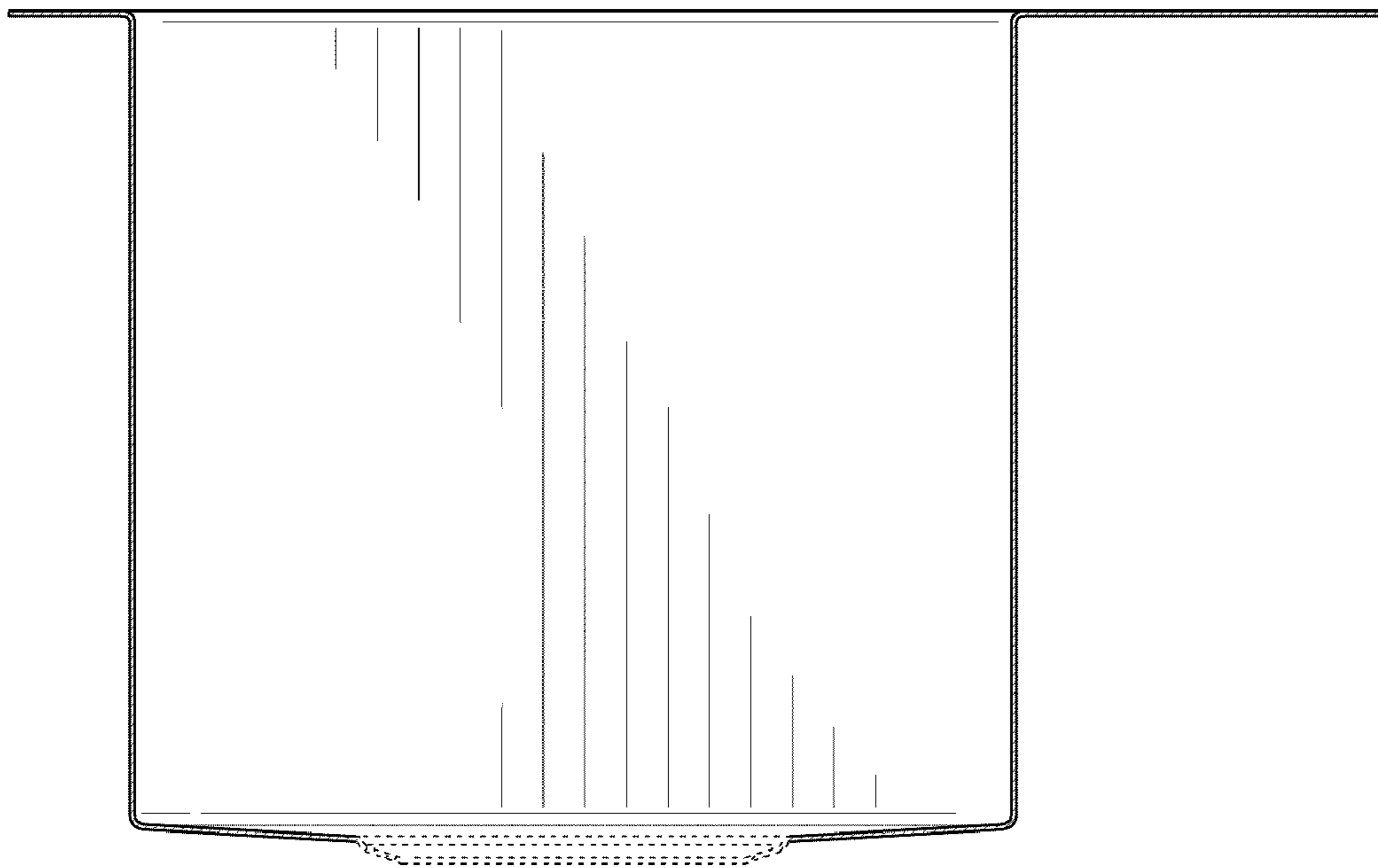


FIG. 8