



US00D647604S

(12) **United States Design Patent**
Wray

(10) **Patent No.:** **US D647,604 S**

(45) **Date of Patent:** **** *Oct. 25, 2011**

(54) **WATER DIVERSION AND COLLECTION APPARATUS**

(76) Inventor: **Richard Martin Wray**, Leeds (GB)

(**) Term: **14 Years**

(21) Appl. No.: **29/339,177**

(22) Filed: **Jun. 25, 2009**

(51) **LOC (9) Cl.** **23-01**

(52) **U.S. Cl.** **D23/267**

(58) **Field of Classification Search** D23/205,
D23/267; 52/11-12, 16; 137/615, 357, 376,
137/587

See application file for complete search history.

(56) **References Cited**

U.S. PATENT DOCUMENTS

4,726,151	A *	2/1988	Vitale	52/16
D326,705	S *	6/1992	Vanden burg et al.	D23/205
D393,693	S *	4/1998	Schollen et al.	D23/202
D575,853	S *	8/2008	Adamson	D23/267
7,530,279	B2 *	5/2009	Iwamatsu et al.	73/863
D600,328	S *	9/2009	Lobban	D23/267
D603,932	S *	11/2009	Nattrass et al.	D23/202
D604,475	S *	11/2009	Bender et al.	D34/39
D605,738	S *	12/2009	Lobban	D23/267

FOREIGN PATENT DOCUMENTS

GB 2 445 092 A 6/2008

* cited by examiner

Primary Examiner — T. Chase Nelson

Assistant Examiner — Eric Goodman

(74) *Attorney, Agent, or Firm* — Sughrue Mion, PLLC

(57) **CLAIM**

The ornamental design for a water diversion and collection apparatus, as shown and described.

DESCRIPTION

FIG. 1 is a top right perspective view, showing a water diversion and collection device for use with a drainpipe for my new design;

FIG. 2 is top right perspective view;

FIG. 3 is front view;

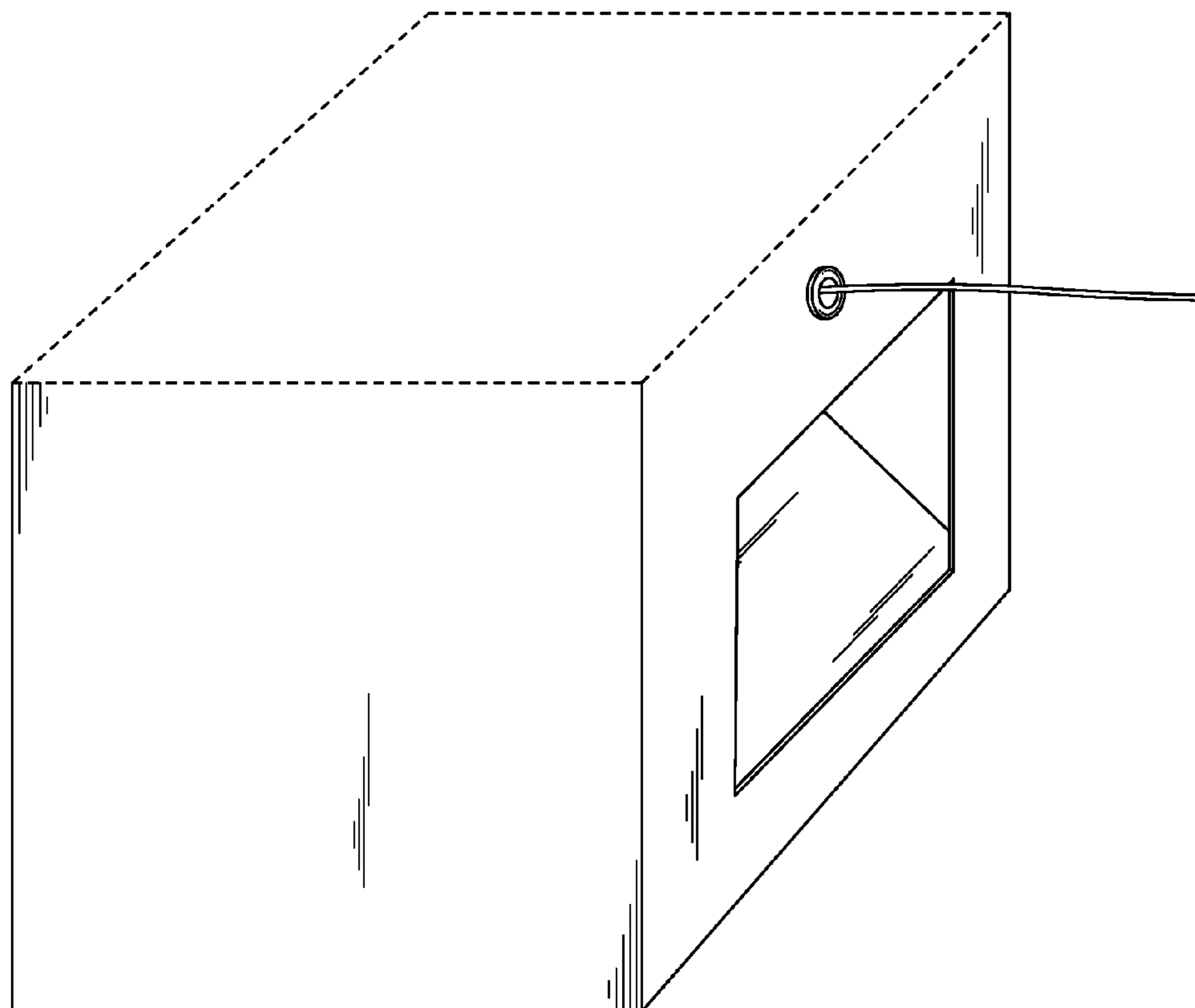
FIG. 4 is a right view;

FIG. 5 is a top view; and,

FIG. 6 is a cross-sectional view along line 6-6 of FIG. 3.

The broken line showing of the top face is for illustrating portions of the water diversion and collection device and forms not part of the claimed design.

1 Claim, 6 Drawing Sheets



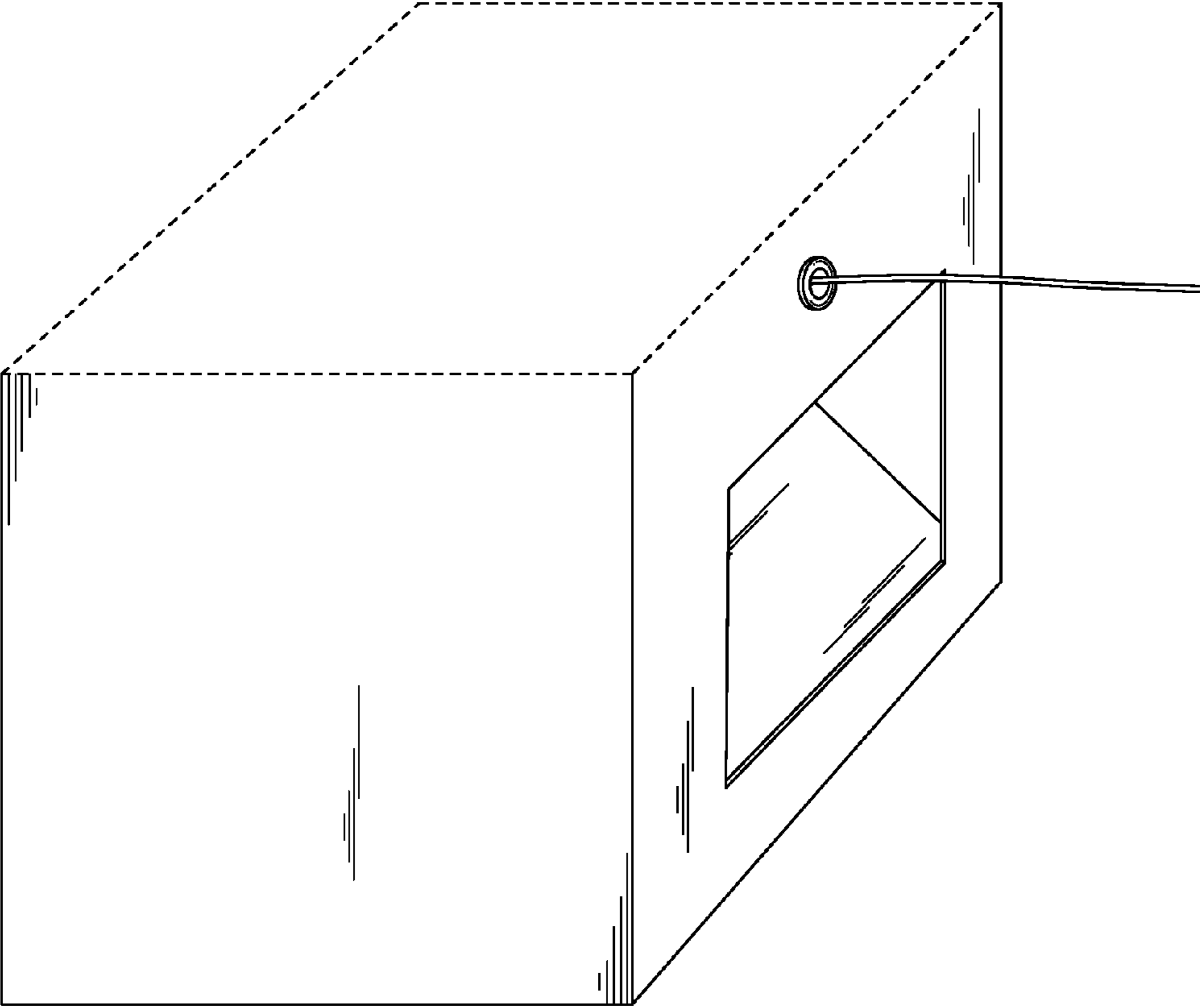


FIG. 1

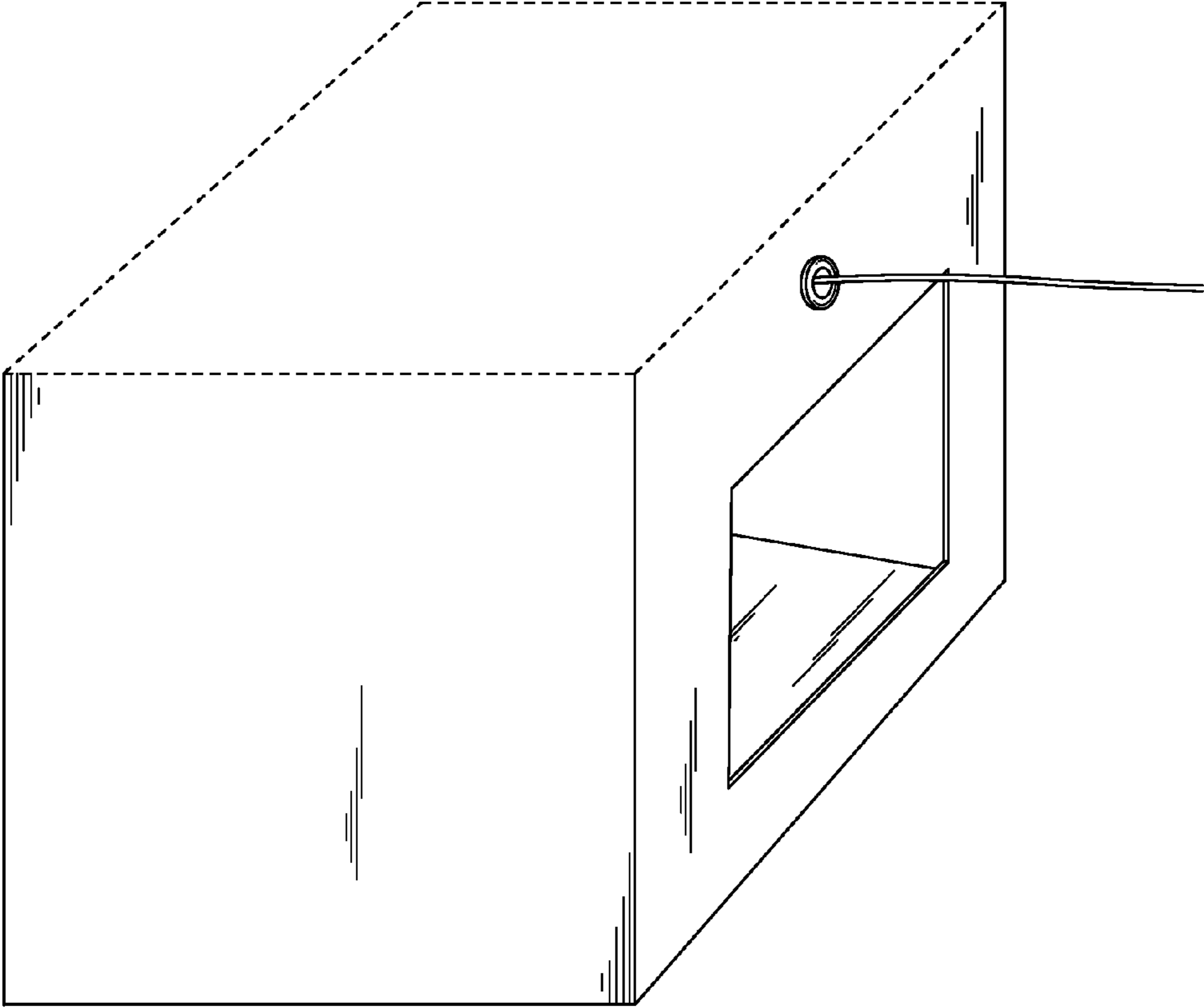


FIG. 2

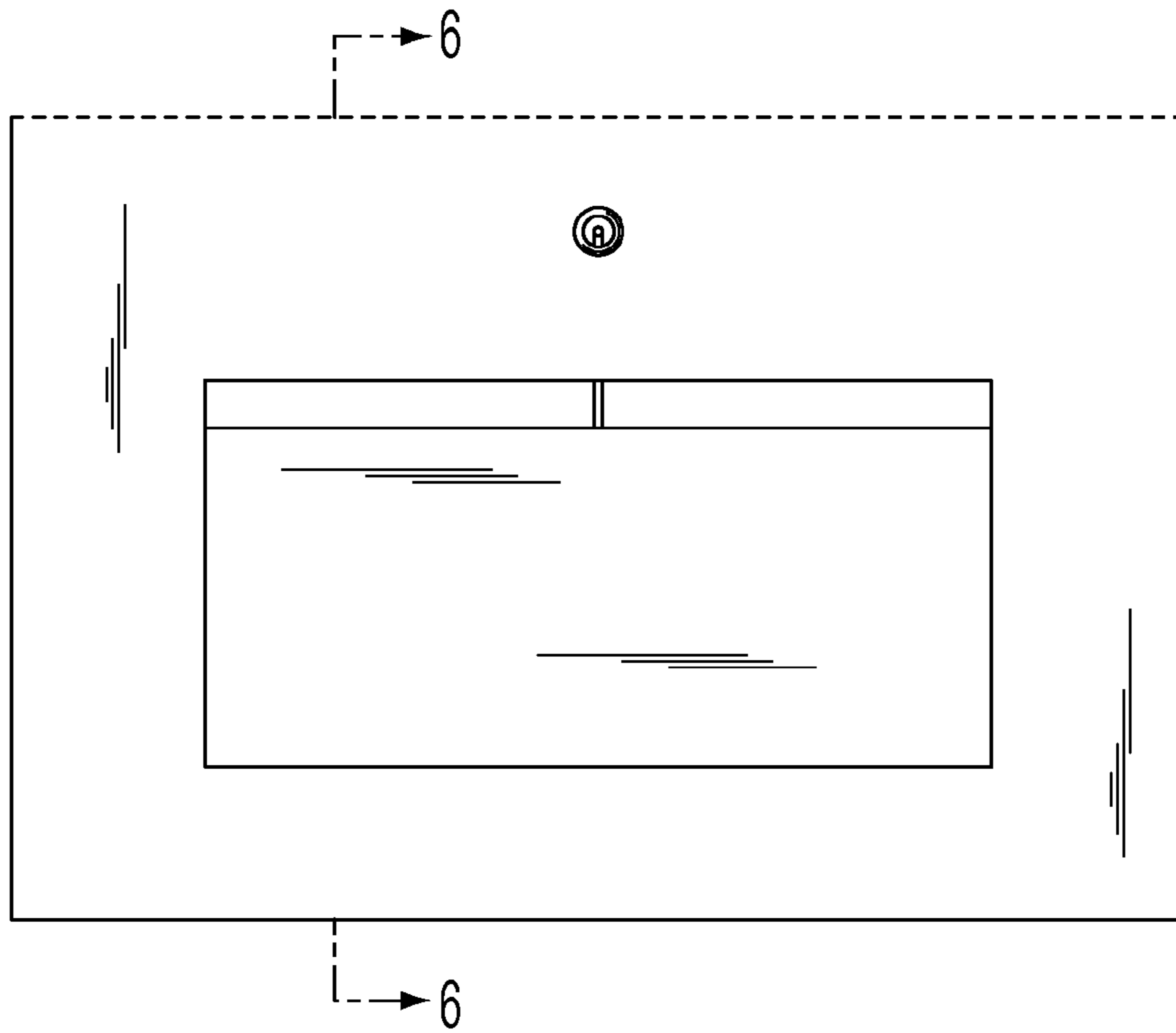


FIG. 3

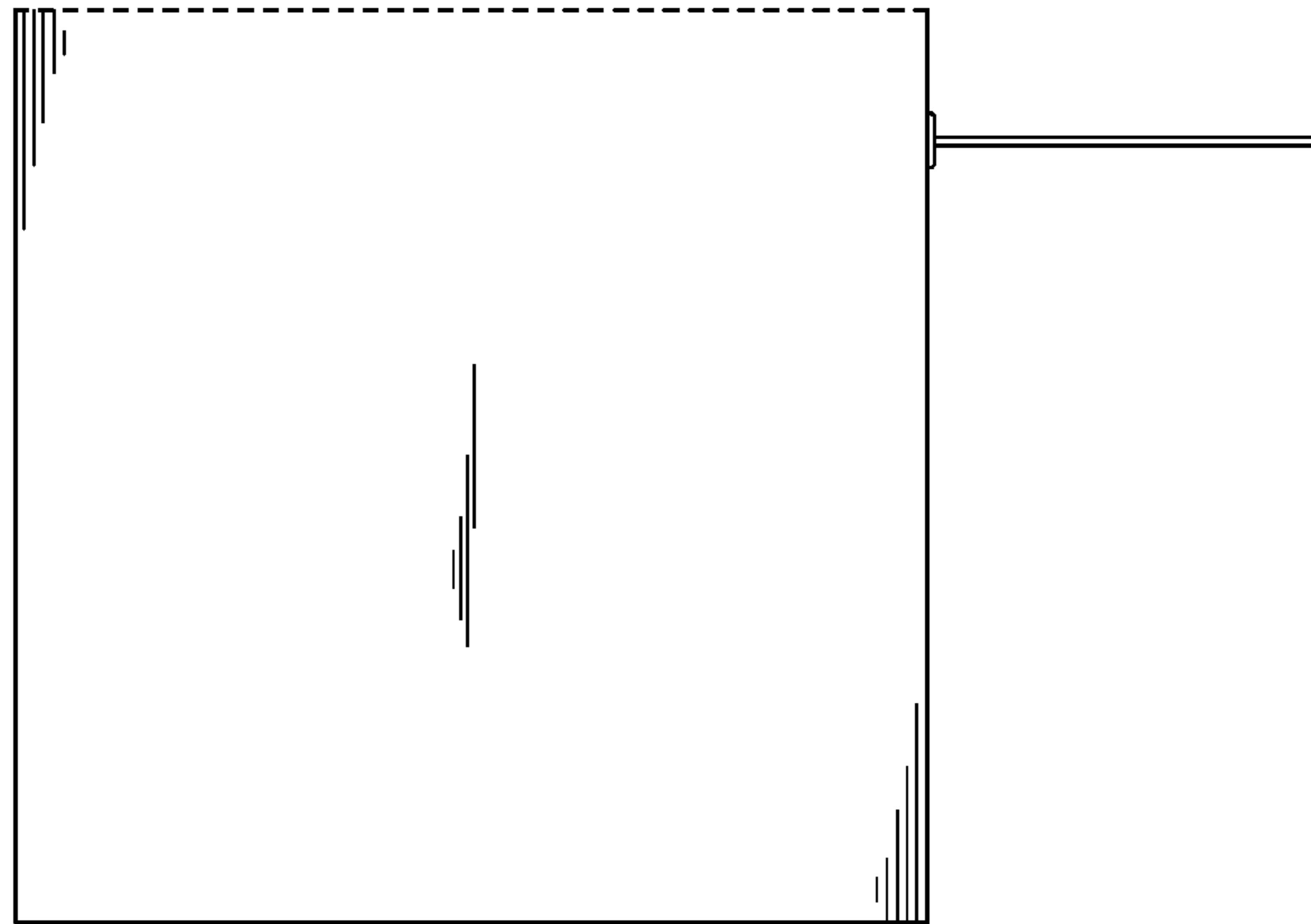


FIG. 4

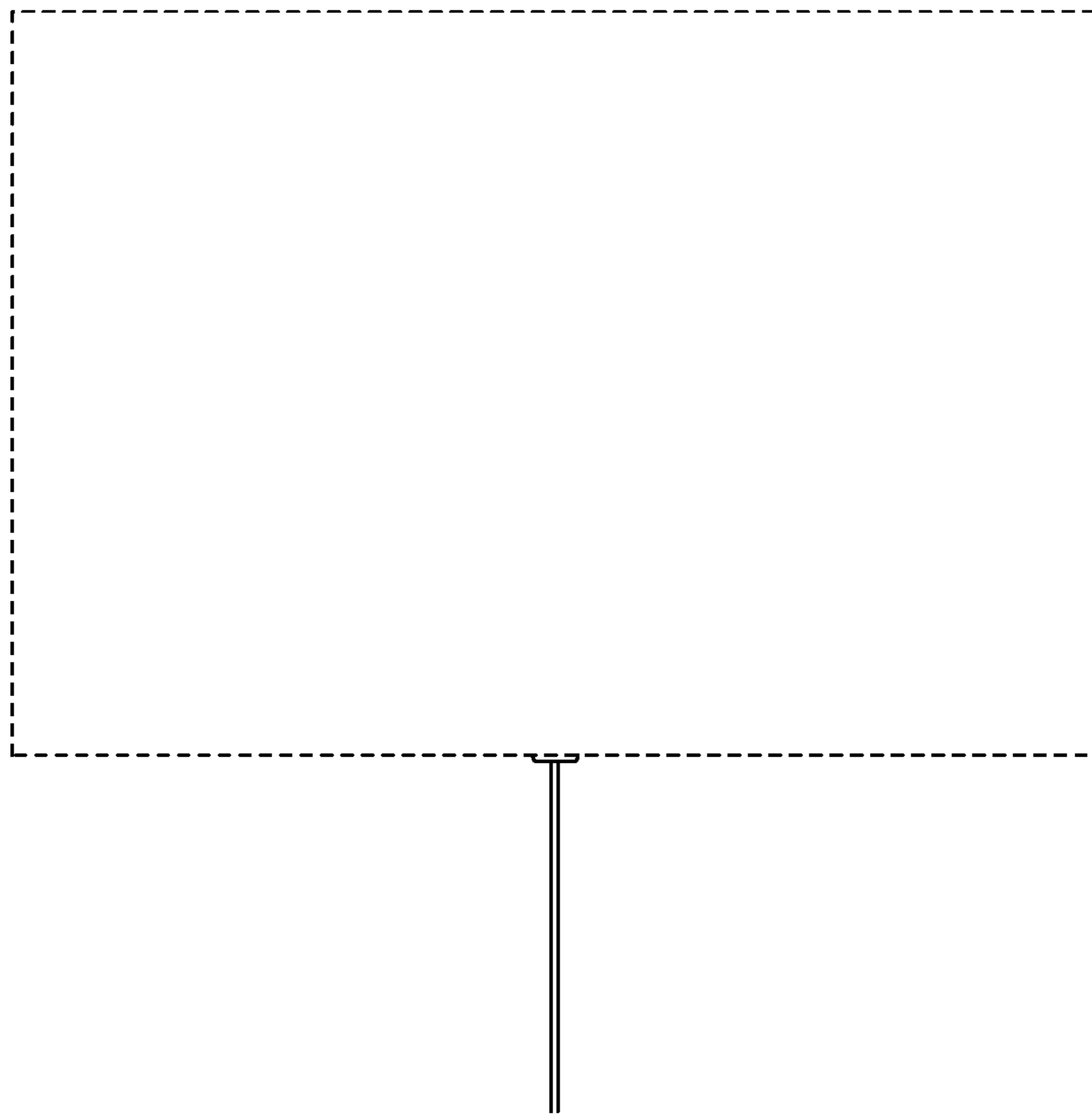


FIG. 5

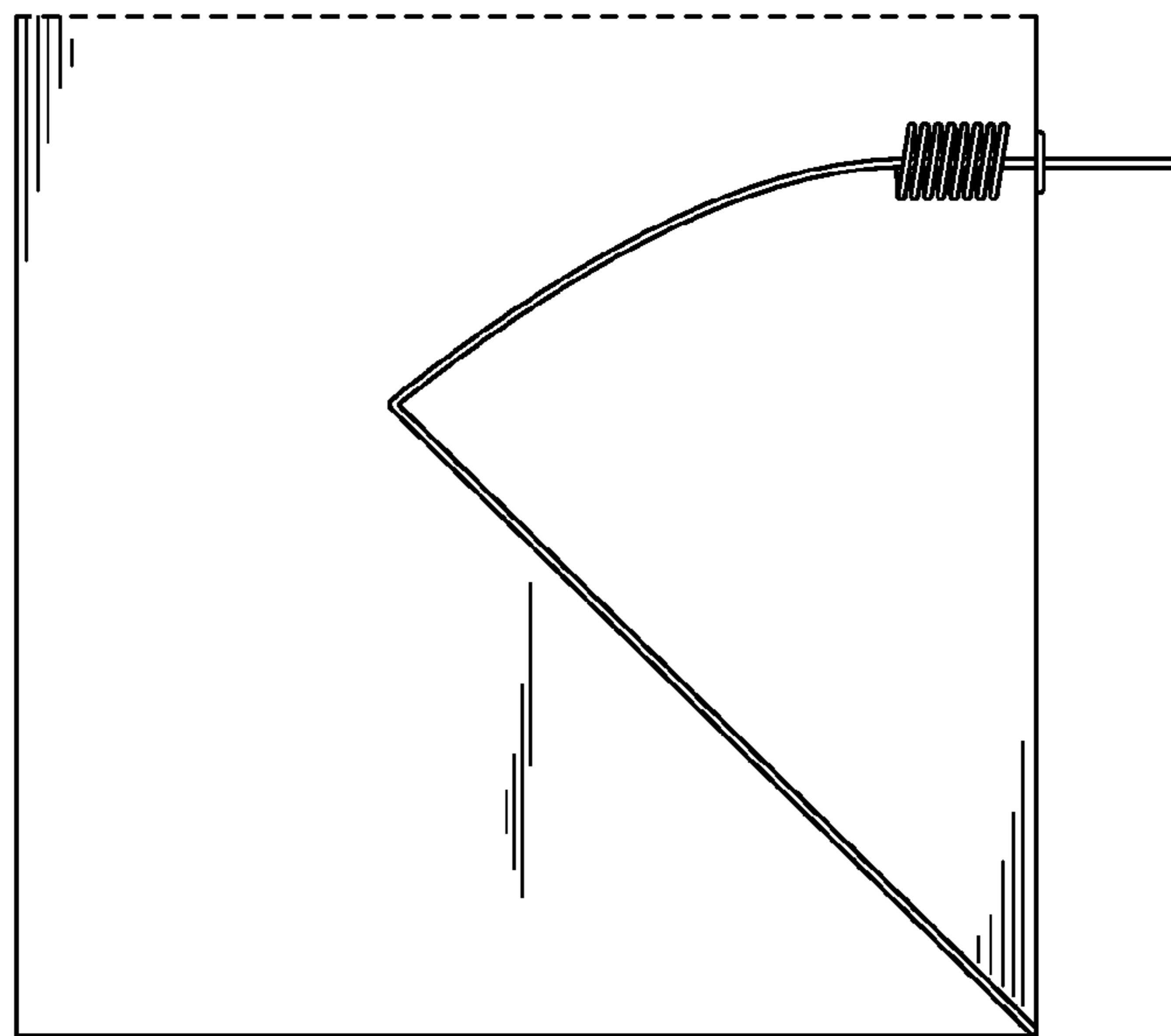


FIG. 6