



US00D647603S

(12) **United States Design Patent**
Andrew

(10) **Patent No.:** **US D647,603 S**
(45) **Date of Patent:** **** Oct. 25, 2011**

- (54) **SHOWER ARM**
- (75) Inventor: **Mercedita Andrew**, Chicago, IL (US)
- (73) Assignee: **Masco Corporation of Indiana**, Indianapolis, IN (US)
- (**) Term: **14 Years**
- (21) Appl. No.: **29/362,186**
- (22) Filed: **May 21, 2010**
- (51) **LOC (9) Cl.** **02-01**
- (52) **U.S. Cl.** **D23/255**
- (58) **Field of Classification Search** D23/255,
D23/257, 238-243; 4/678; 137/801
See application file for complete search history.

- D510,410 S * 10/2005 Jsensn D23/238
- D512,133 S * 11/2005 Kosasih D23/255
- D567,908 S * 4/2008 Semchuck et al. D23/238
- D580,023 S * 11/2008 Gilbert D23/255

* cited by examiner

Primary Examiner — Robert Delehanty

(74) *Attorney, Agent, or Firm* — Edgar A. Zarins; Nirav D. Parikh

(57) **CLAIM**

The ornamental design for a shower arm, as shown and described.

DESCRIPTION

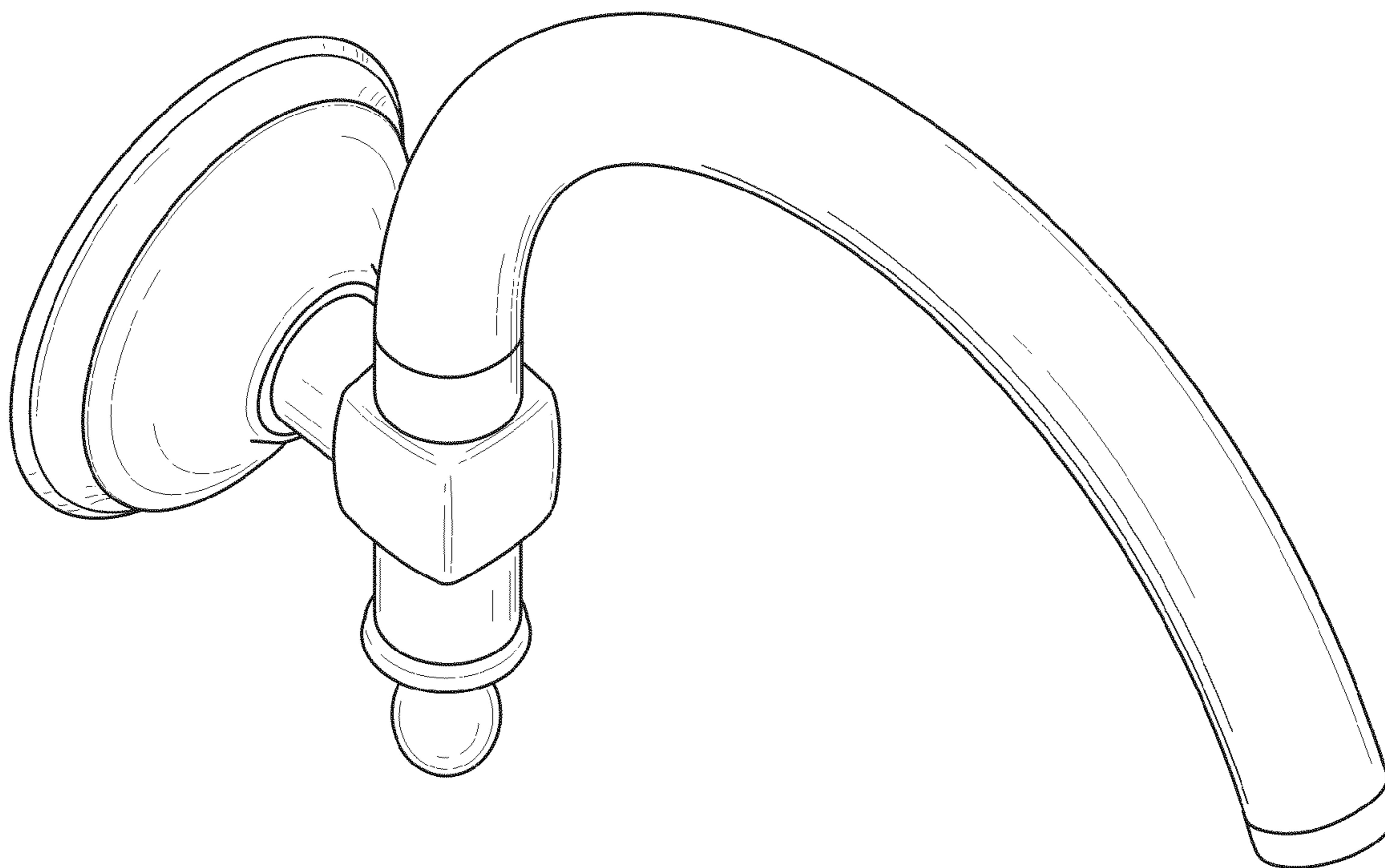
FIG. 1 is a perspective view of a shower arm showing my new design;
FIG. 2 is a front elevational view thereof;
FIG. 3 is a right side elevational view thereof;
FIG. 4 is a left side elevational view thereof;
FIG. 5 is a bottom plan view thereof; and,
FIG. 6 is a top plan view thereof.

1 Claim, 6 Drawing Sheets

(56) **References Cited**

U.S. PATENT DOCUMENTS

- D266,350 S * 9/1982 Piesco D23/257
- D268,950 S * 5/1983 Thompson D23/255
- D318,518 S * 7/1991 Schmidt et al. D23/238
- D392,027 S * 3/1998 Doughty et al. D23/255



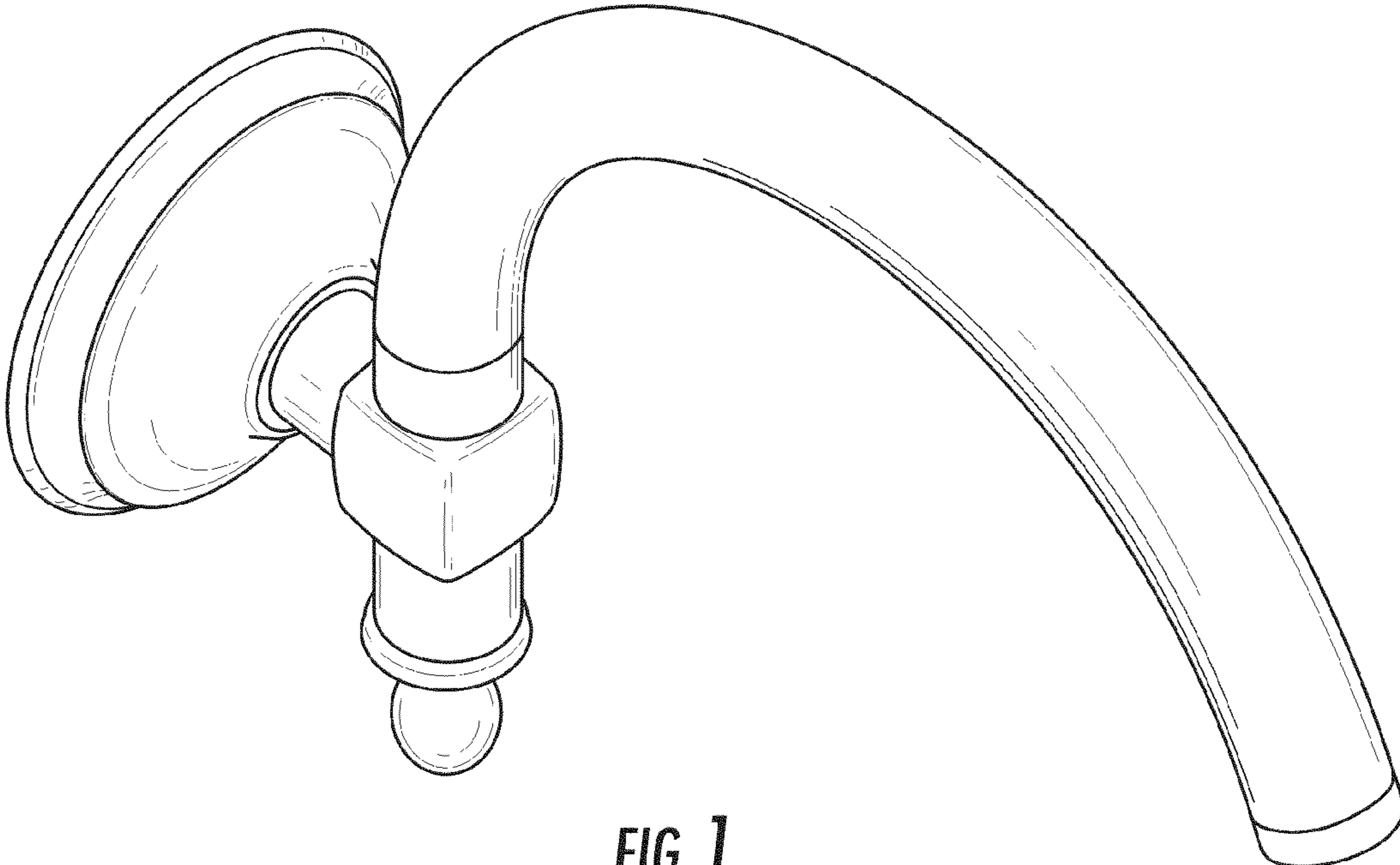


FIG. 1

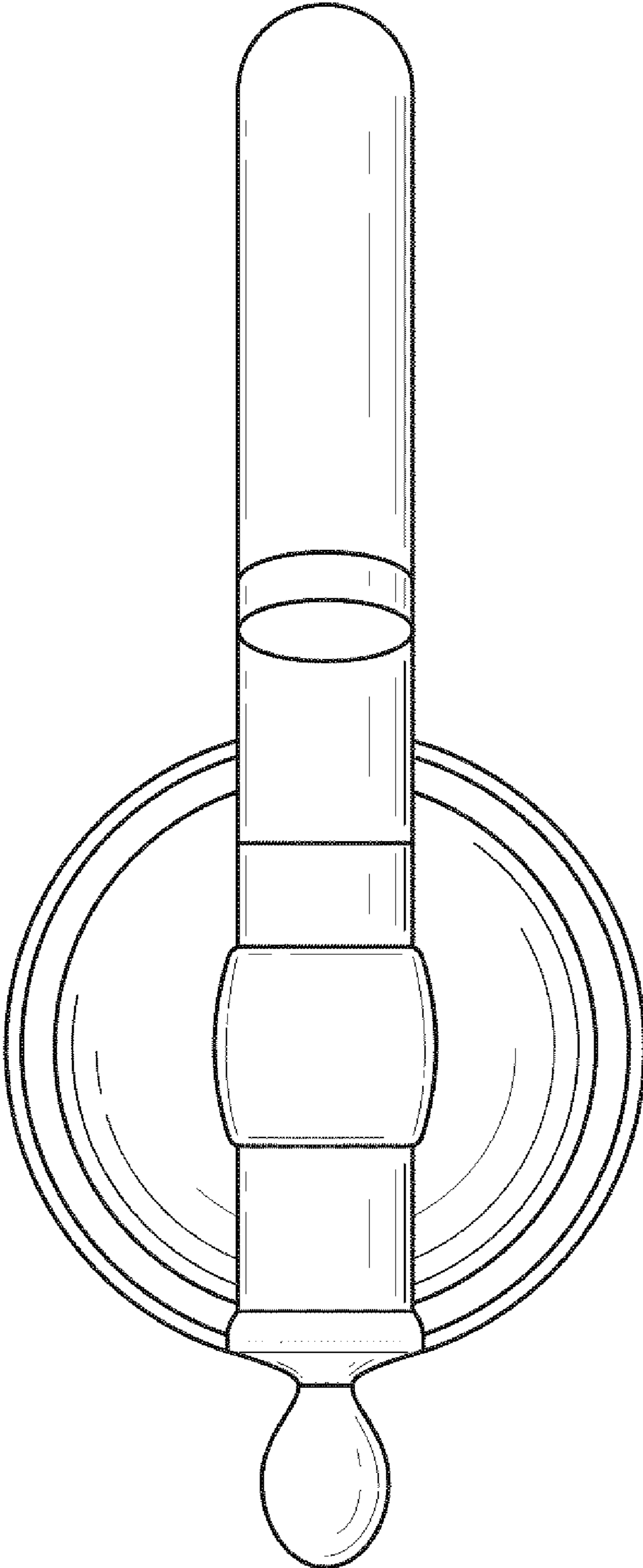


FIG. 2

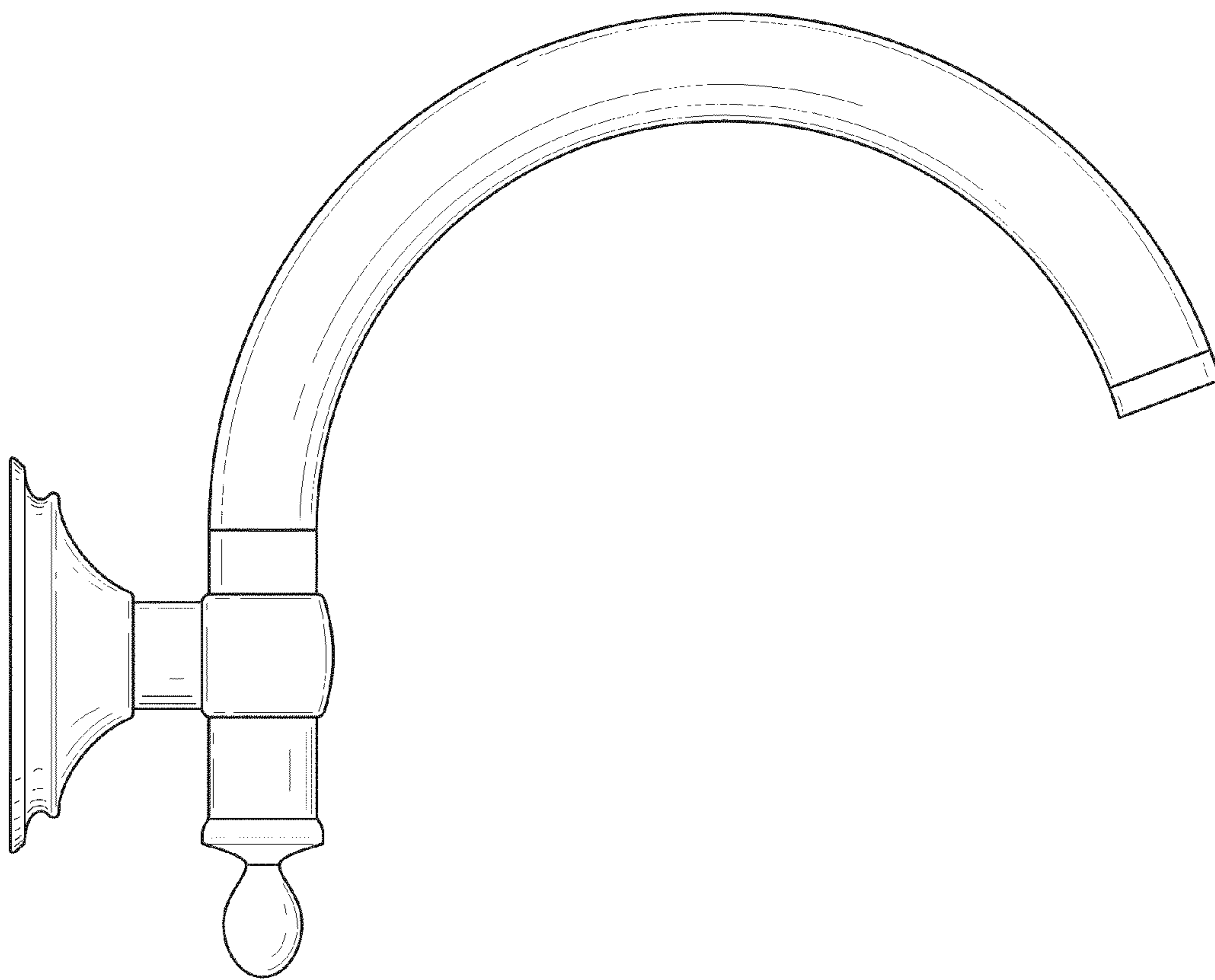


FIG. 3

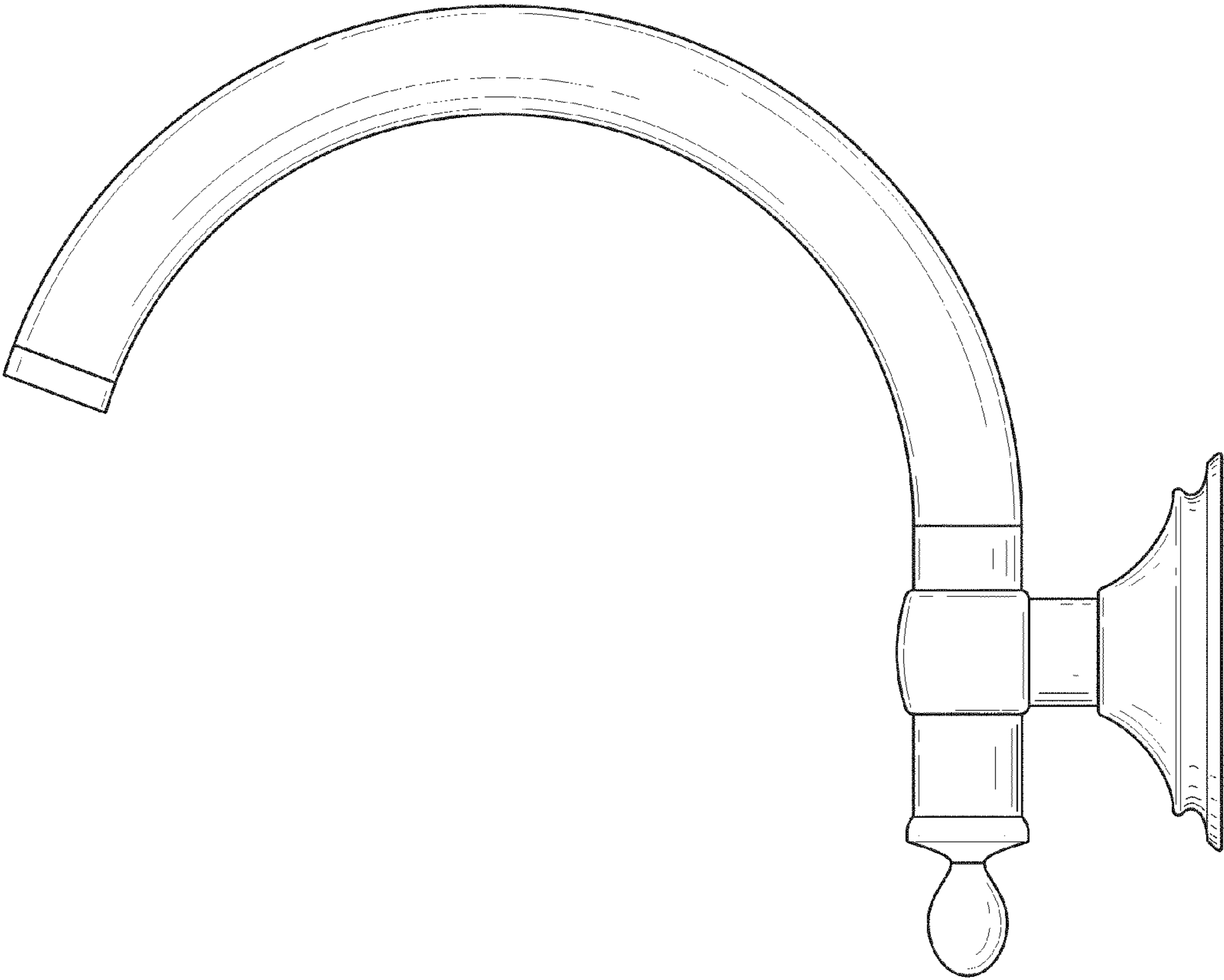


FIG. 4

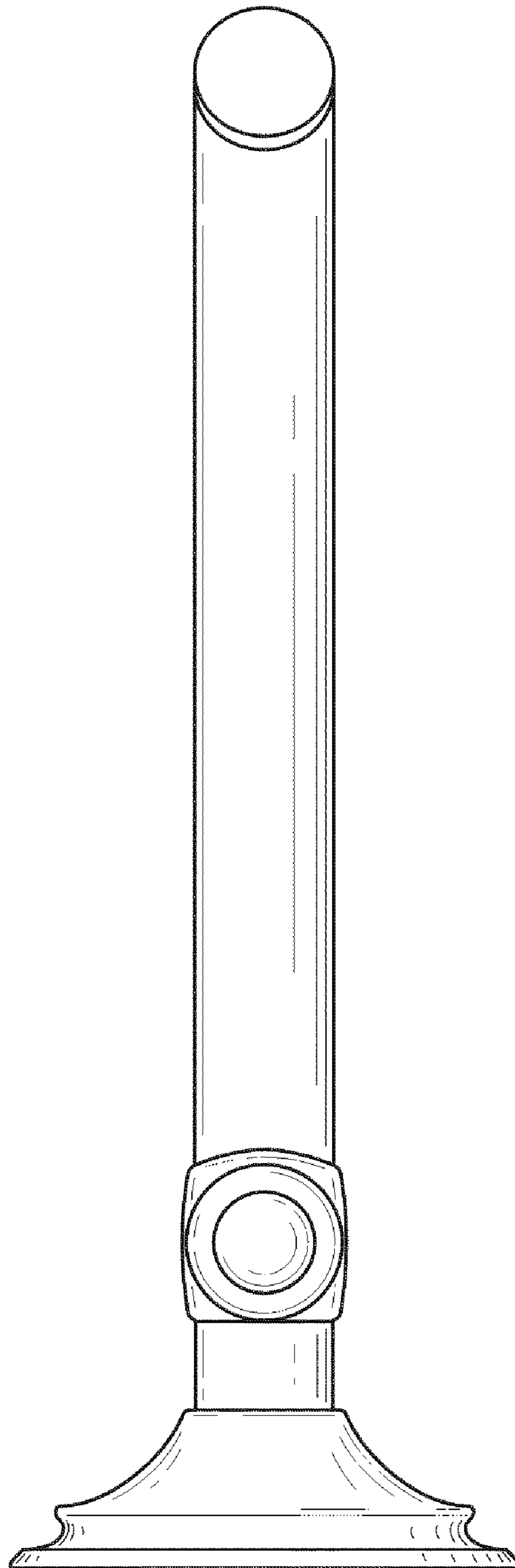


FIG. 5

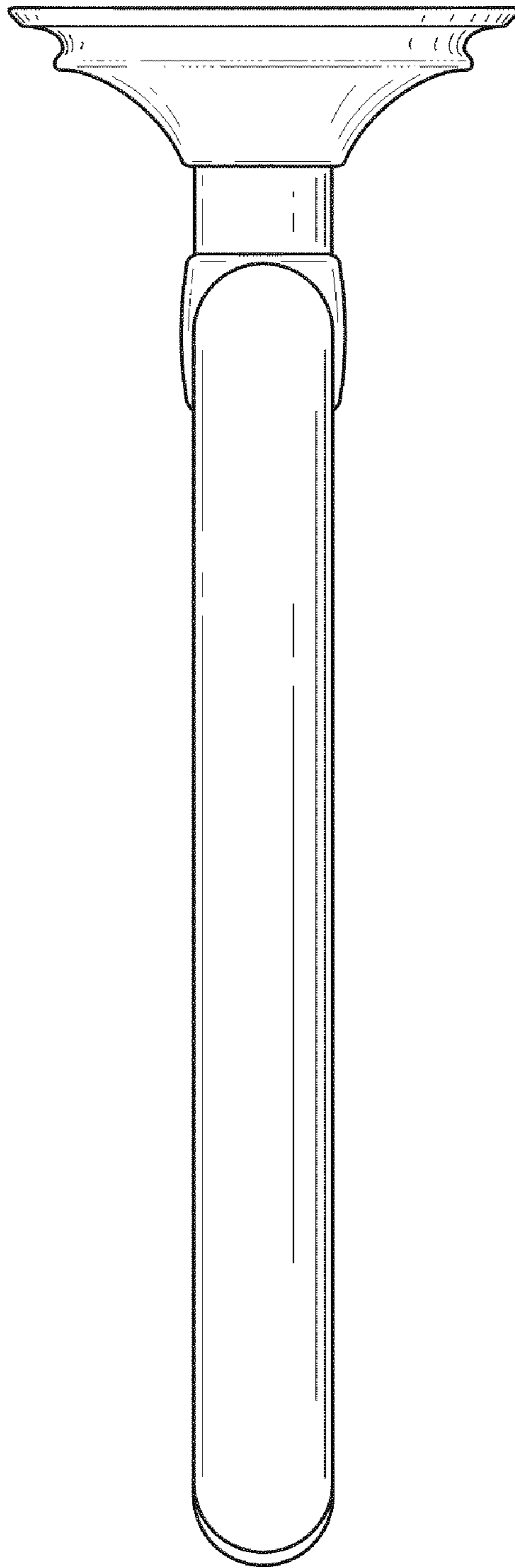


FIG. 6