

US00D647601S

(12) **United States Design Patent**  
**Liao**

(10) **Patent No.:** **US D647,601 S**

(45) **Date of Patent:** **\*\* Oct. 25, 2011**

(54) **BATH SET**

(75) Inventor: **Vincent Liao**, Guangdong (CN)

(73) Assignee: **Masco Corporation of Indiana**,  
Indianapolis, IN (US)

(\*\*) Term: **14 Years**

(21) Appl. No.: **29/387,355**

(22) Filed: **Mar. 11, 2011**

(51) **LOC (9) Cl.** ..... **02-01**

(52) **U.S. Cl.** ..... **D23/242**

(58) **Field of Classification Search** ..... D23/255,  
D23/257, 238-243, 250, 252, 254; 4/678;  
137/801

See application file for complete search history.

(56) **References Cited**

**U.S. PATENT DOCUMENTS**

D542,384 S *	5/2007	Starck	.....	D23/254
D576,708 S *	9/2008	Citterio	.....	D23/238
D581,023 S *	11/2008	Citterio	.....	D23/252
D601,229 S *	9/2009	Schoenherr et al.	.....	D23/255

D605,256 S *	12/2009	Flowers et al.	.....	D23/238
D607,542 S *	1/2010	Flowers et al.	.....	D23/252
D641,072 S *	7/2011	Flowers et al.	.....	D23/255

\* cited by examiner

*Primary Examiner* — Robert Delehanty

(74) *Attorney, Agent, or Firm* — Nirav D. Parikh; Edgar A. Zarins

(57) **CLAIM**

The ornamental design for a bath set, as shown and described.

**DESCRIPTION**

FIG. 1 is a perspective view of a bath set showing my new design;

FIG. 2 is a top plan view thereof;

FIG. 3 is a bottom plan view thereof;

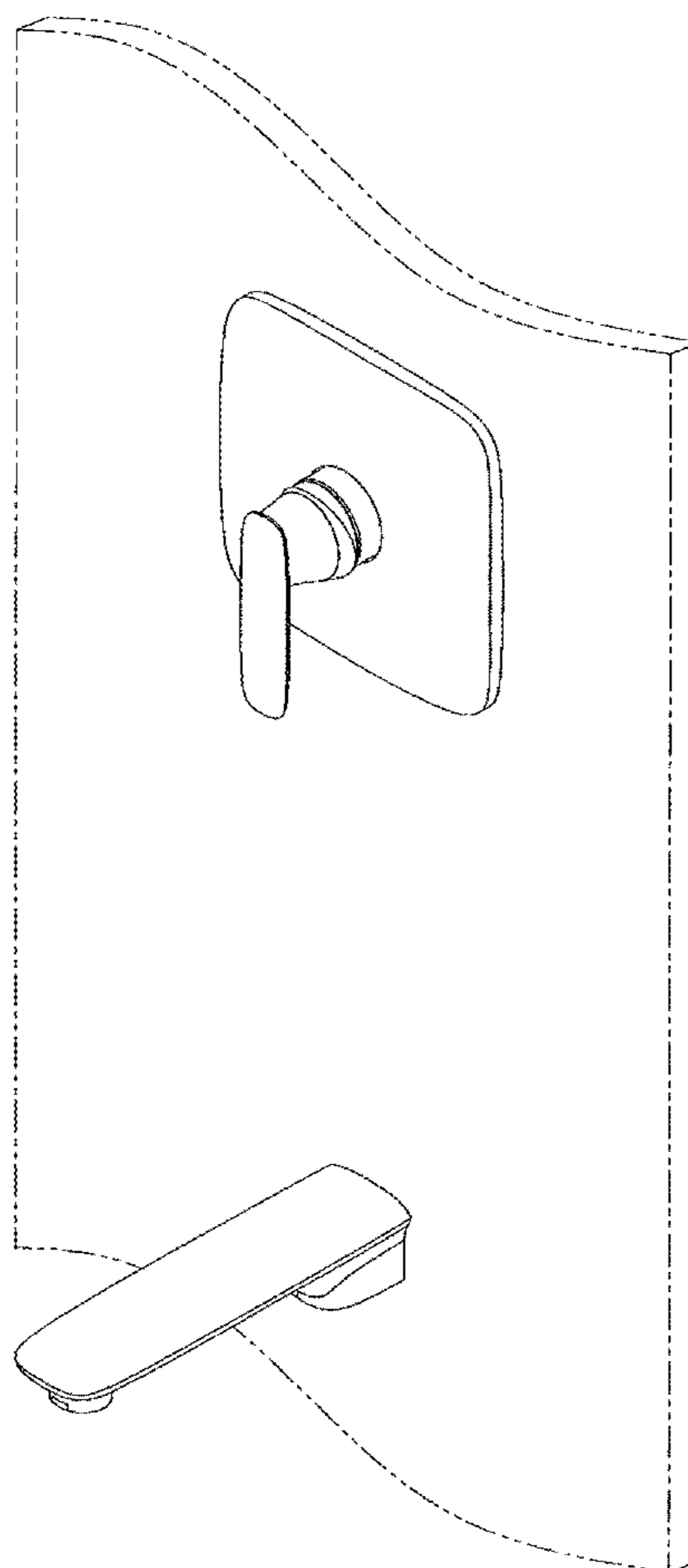
FIG. 4 is a front elevational view thereof;

FIG. 5 is a left side thereof; and,

FIG. 6 is a right side view thereof.

The broken line showing environmental structure is included for the purpose of illustrating a portion of the claim that forms no part of the claimed design.

**1 Claim, 3 Drawing Sheets**



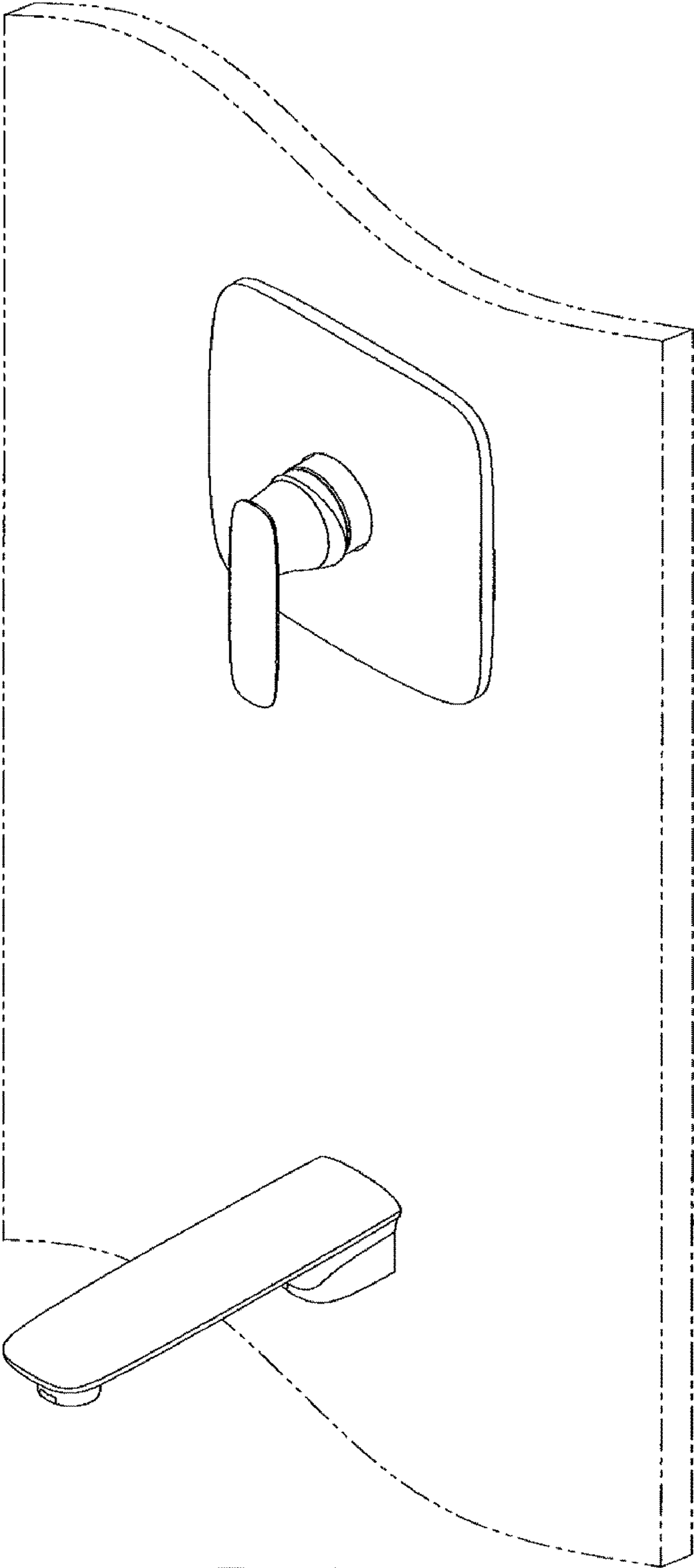


Fig-1

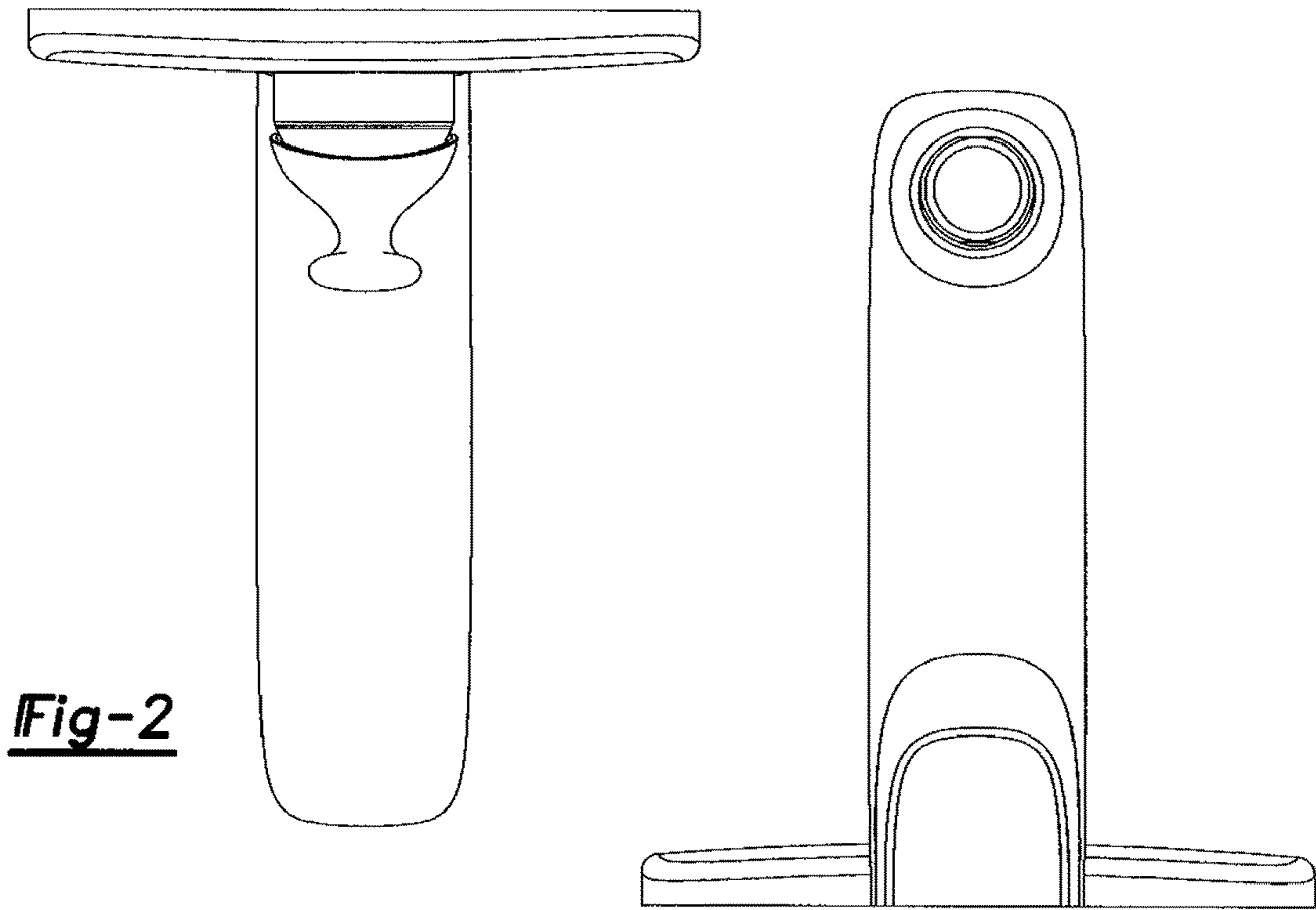


Fig-2

Fig-3

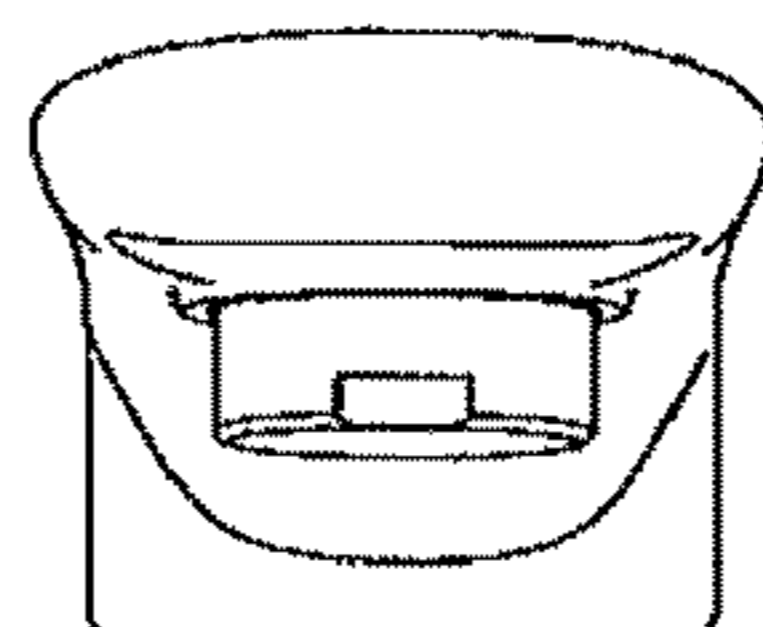
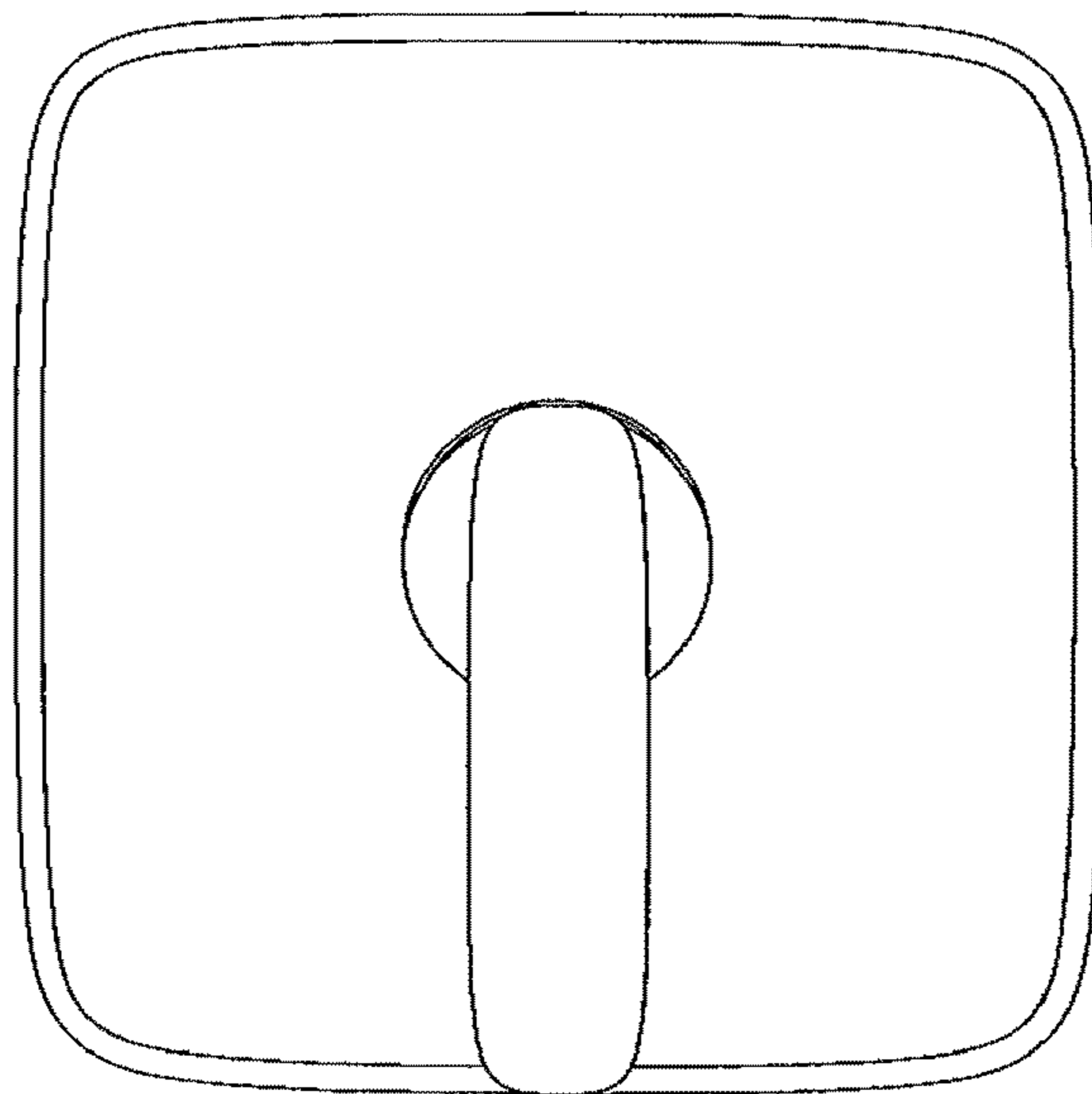


Fig-4

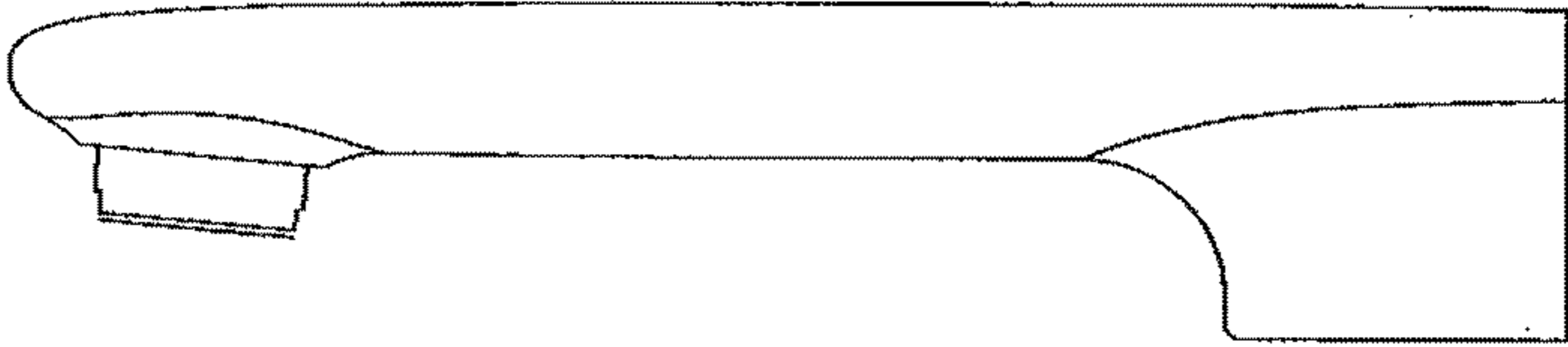
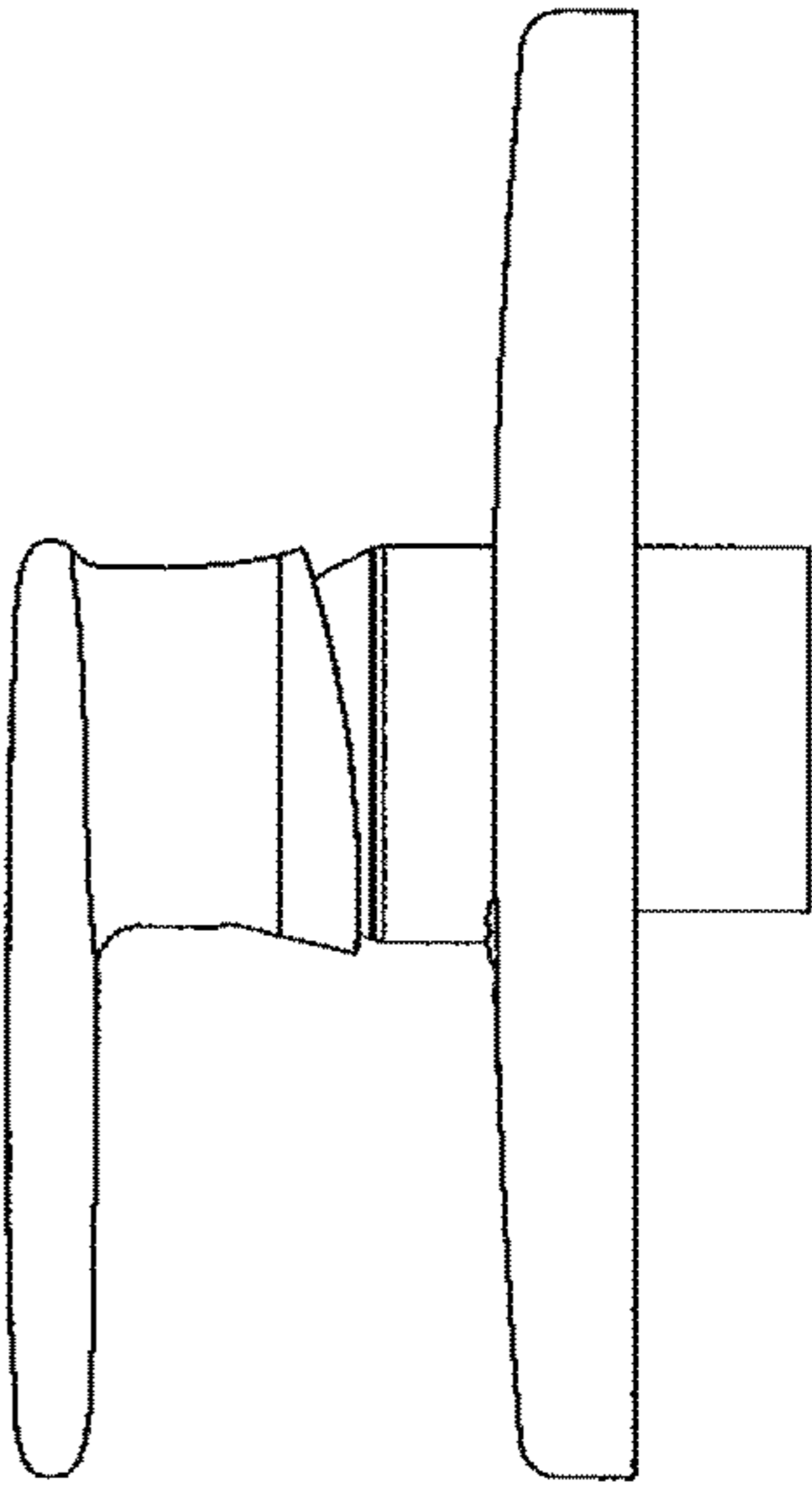


Fig-5

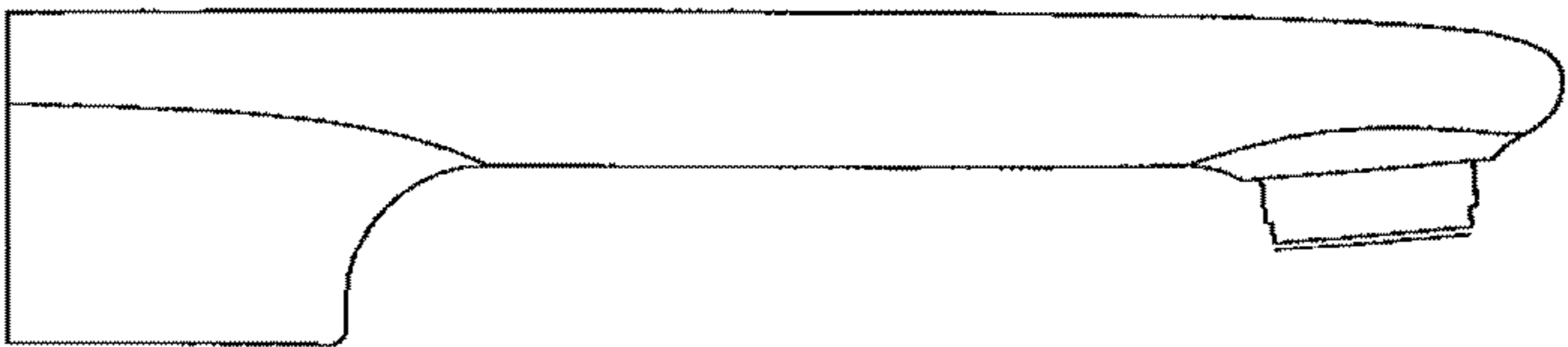
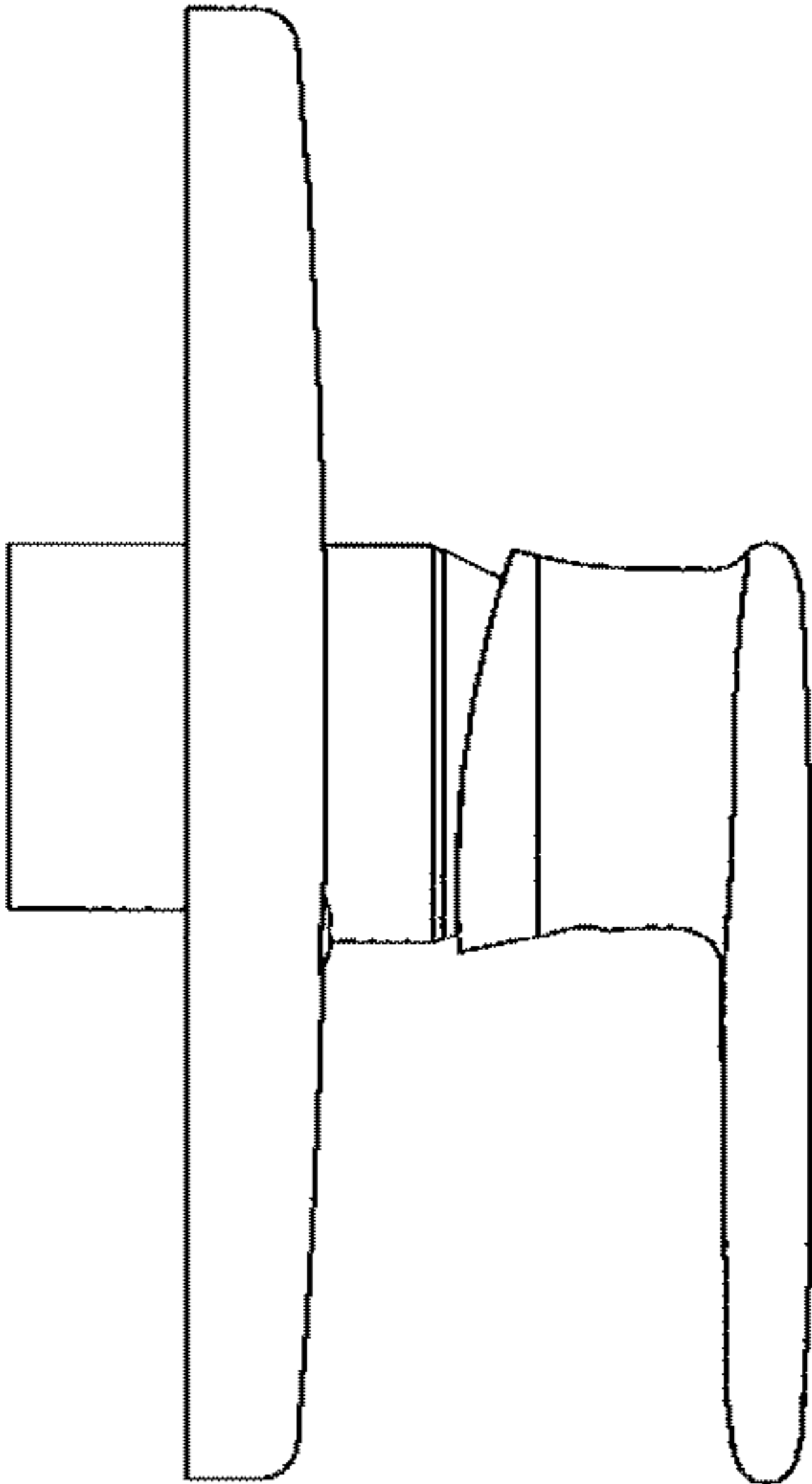


Fig-6